



US00D886788S

(12) **United States Design Patent**  
**Wang**

(10) **Patent No.:** **US D886,788 S**

(45) **Date of Patent:** **\*\* Jun. 9, 2020**

(54) **SPEAKER**

(71) Applicant: **AMTRAN TECHNOLOGY CO., LTD**, New Taipei (TW)

(72) Inventor: **Kuan-Hua Wang**, New Taipei (TW)

(73) Assignee: **AMTRAN TECHNOLOGY CO., LTD**, New Taipei (TW)

(\*\*) Term: **15 Years**

(21) Appl. No.: **29/654,061**

(22) Filed: **Jun. 20, 2018**

(30) **Foreign Application Priority Data**

Apr. 2, 2018 (CN) ..... 2018 3 0126620

(51) **LOC (12) Cl.** ..... **14-01**

(52) **U.S. Cl.**  
USPC ..... **D14/204**

(58) **Field of Classification Search**

USPC ..... D14/188, 192, 203.1–203.8, 204, D14/210–213, 215, 216; 181/143, 144, 181/148, 153, 157, 198, 199; 369/6–12; 381/300–303, 361–364, 366, 386–388  
CPC ..... H04R 1/02; H04R 1/021; H04R 1/025; H04R 1/026; H04R 5/00; H04R 9/06; H04R 19/013; H04R 2400/00

See application file for complete search history.

(56) **References Cited**

**U.S. PATENT DOCUMENTS**

D504,409 S \* 4/2005 Kim ..... D14/203.3  
D609,690 S \* 2/2010 Jouin ..... D14/168

D615,556 S \* 5/2010 Yeo ..... D14/203.3  
D697,496 S \* 1/2014 Ashcraft ..... D14/216  
D726,654 S \* 4/2015 Jung ..... D13/137.2  
D749,056 S \* 2/2016 Xin ..... D14/214  
D765,071 S \* 8/2016 Sun ..... D14/314  
2012/0300962 A1\* 11/2012 Devoto ..... H04R 5/02  
381/300

\* cited by examiner

*Primary Examiner* — Janice Patyk

(74) *Attorney, Agent, or Firm* — Maschoff Brennan

(57) **CLAIM**

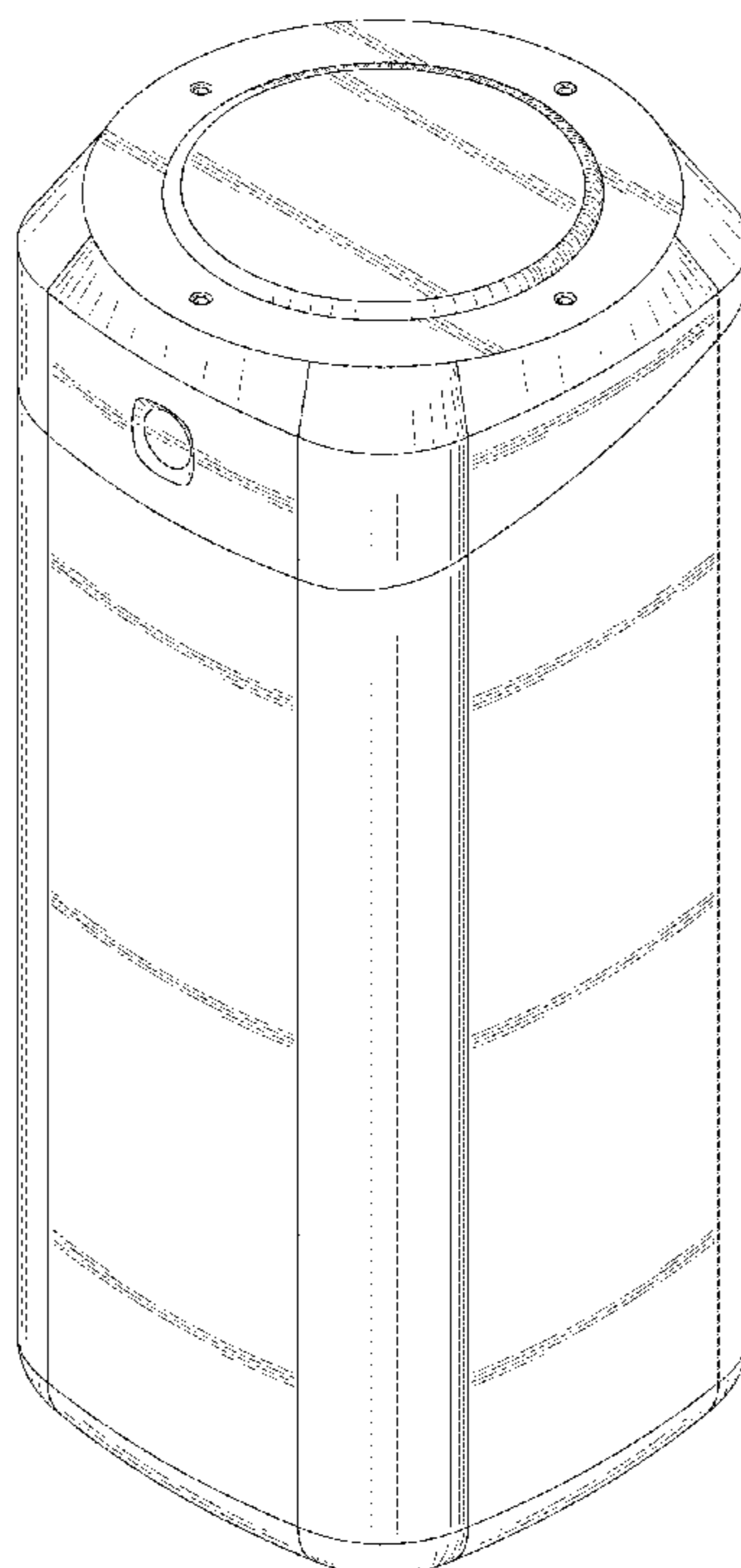
The ornamental design for a speaker, as shown and described.

**DESCRIPTION**

FIG. 1 is a top, front, right side perspective view of a speaker, showing my new design;  
FIG. 2 is a bottom, rear, left side perspective view thereof;  
FIG. 3 is a front view thereof;  
FIG. 4 is a rear view thereof;  
FIG. 5 is a left side view thereof;  
FIG. 6 is a right side view thereof;  
FIG. 7 is a top view thereof; and,  
FIG. 8 is a bottom view thereof.

The broken lines in the figures illustrate the portions of the design that form no part of the claimed design.

**1 Claim, 8 Drawing Sheets**



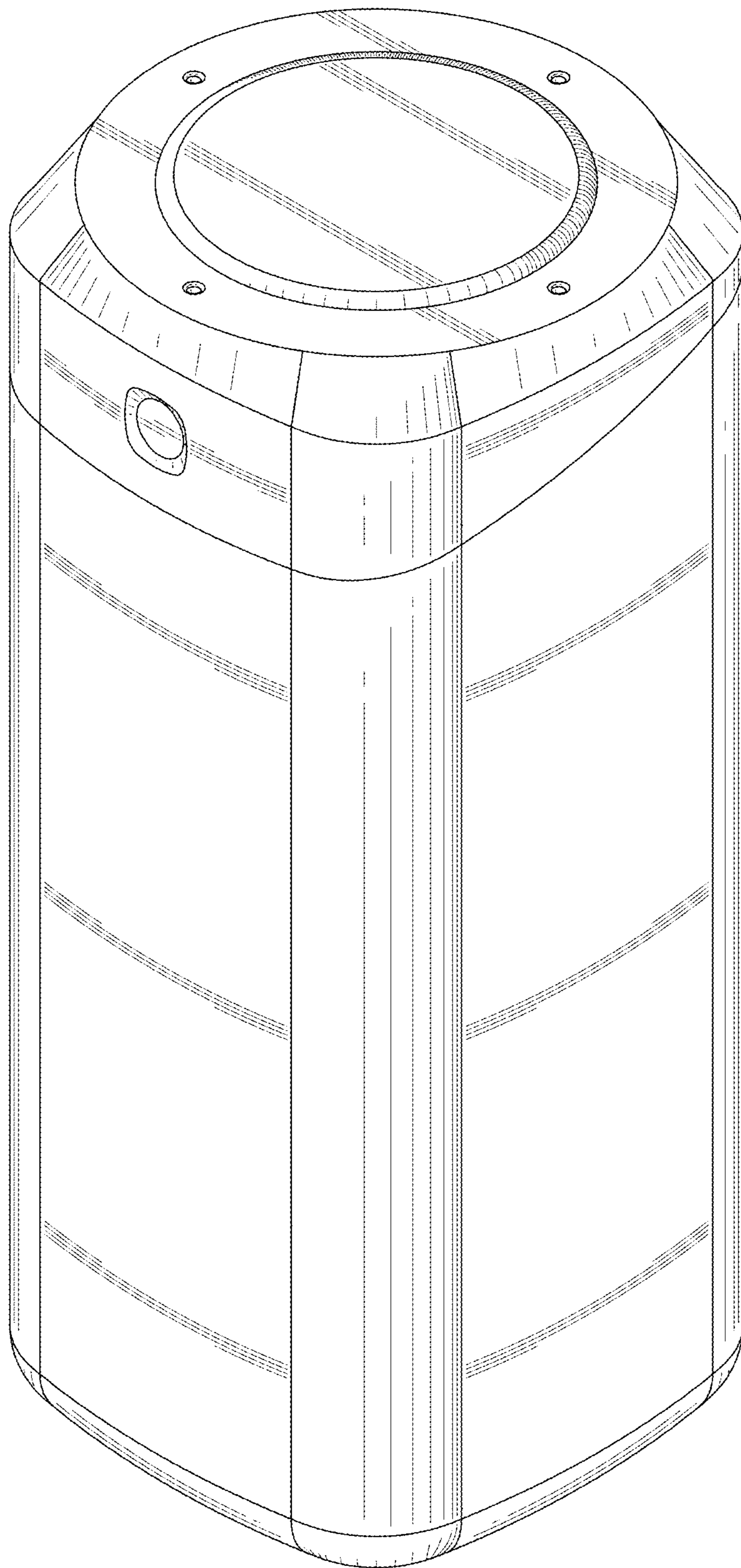


FIG. 1

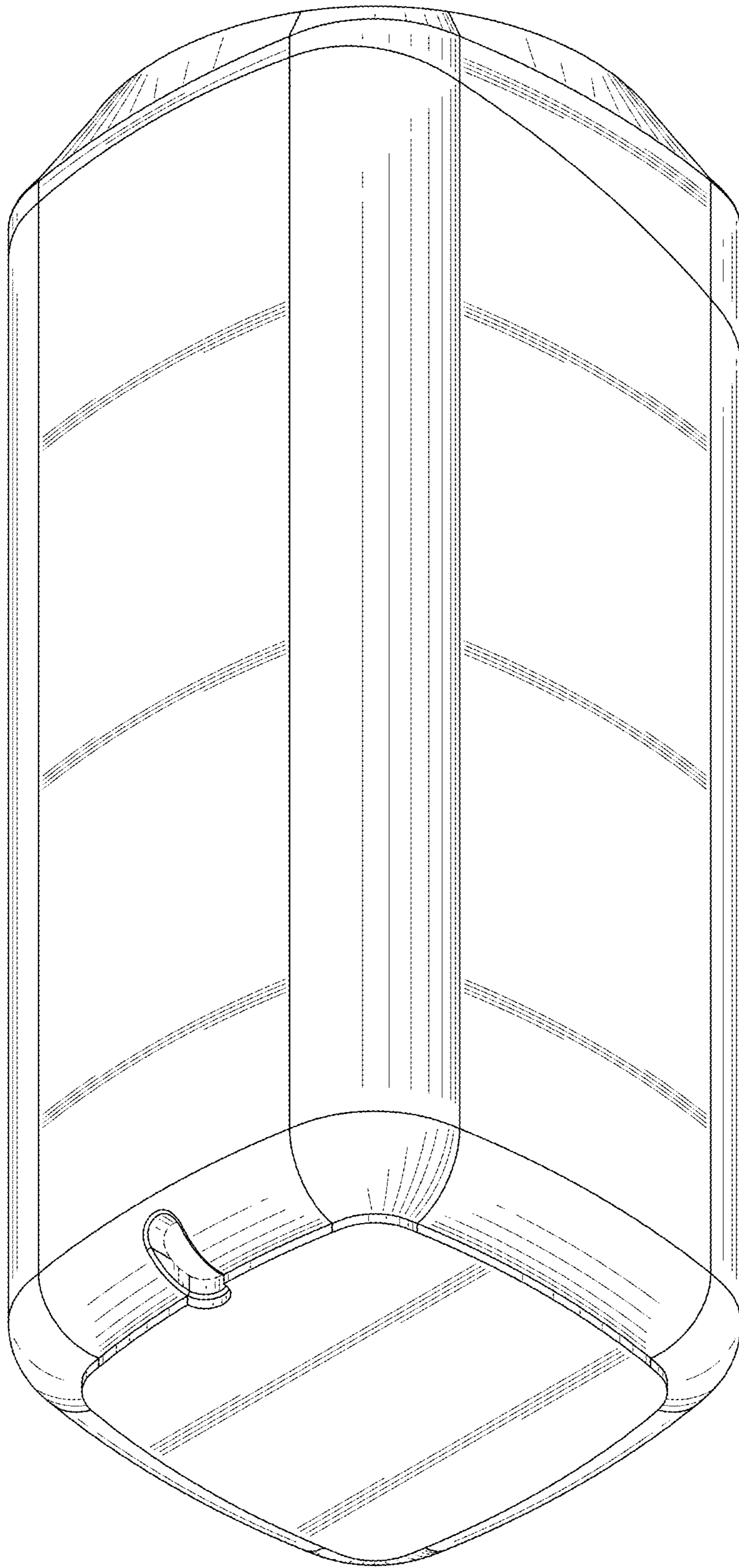


FIG. 2



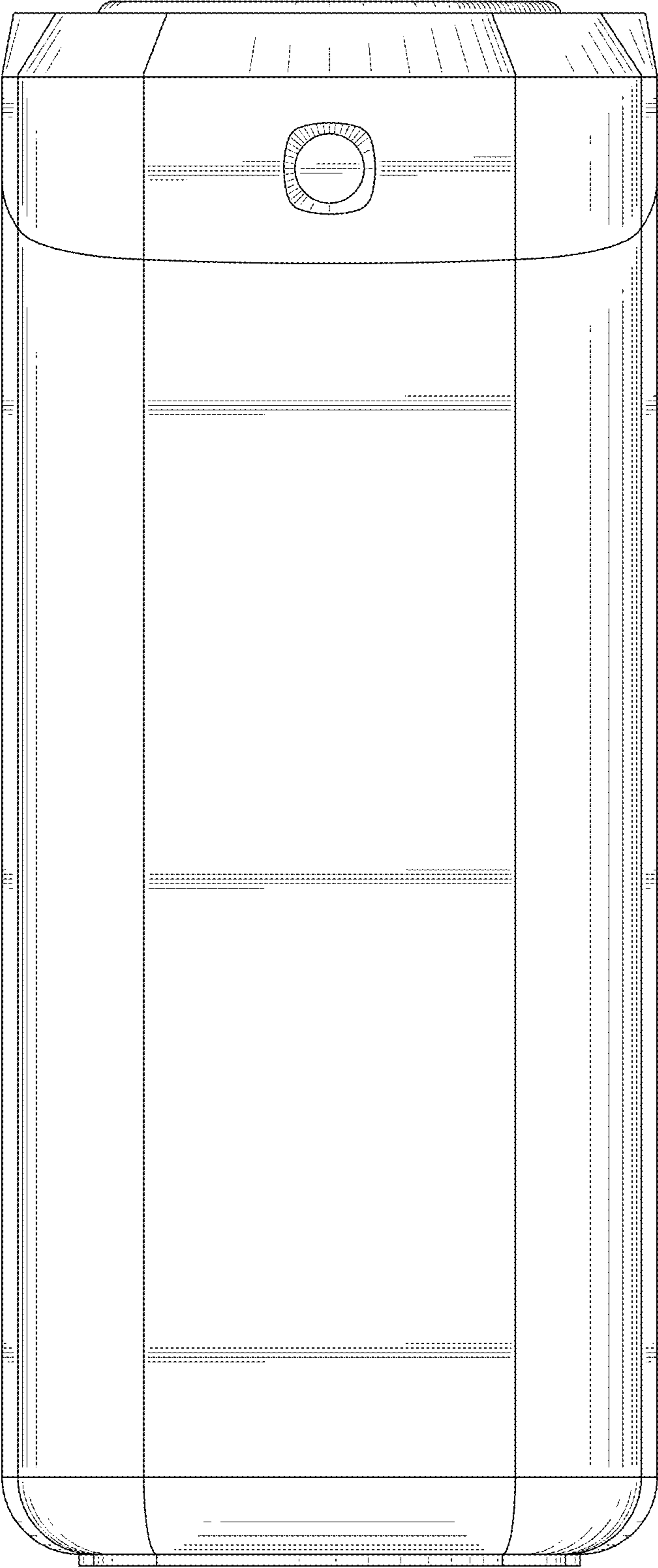


FIG. 3

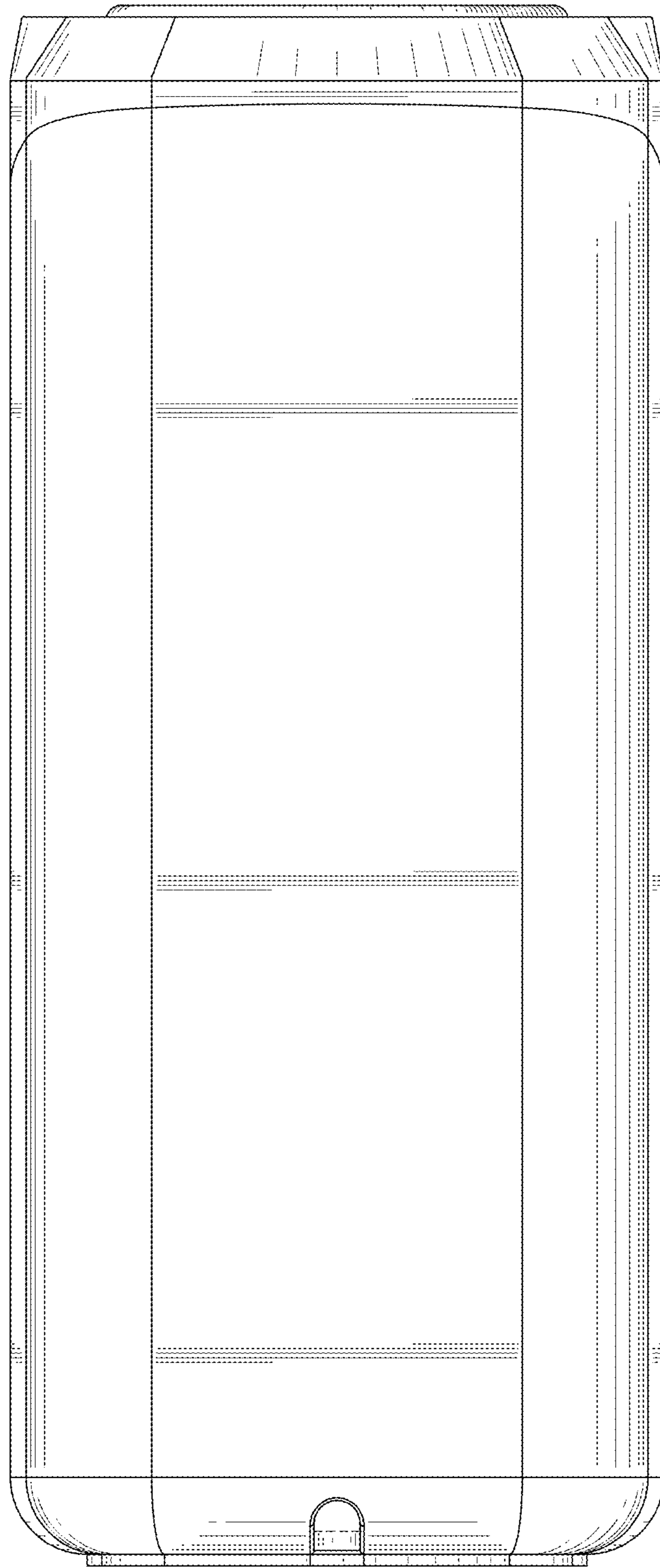


FIG. 4

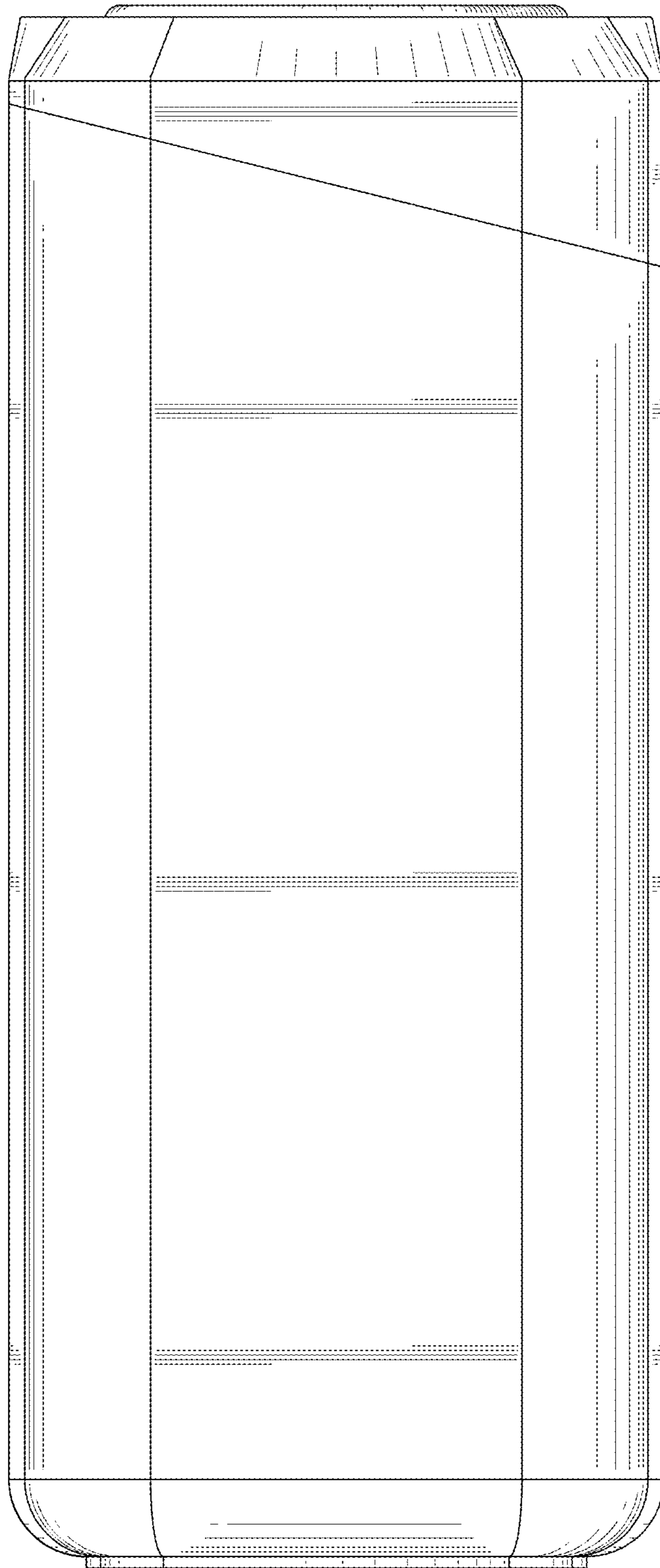


FIG. 5

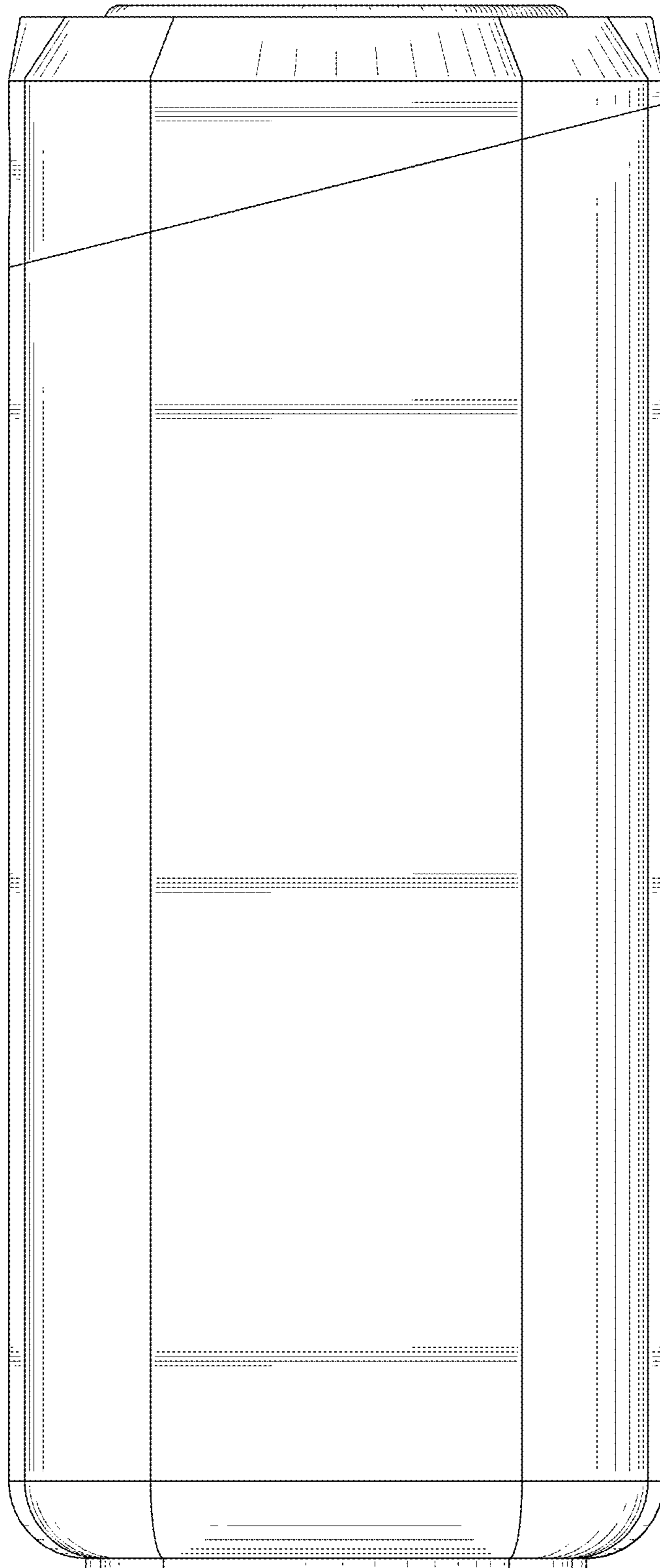


FIG. 6

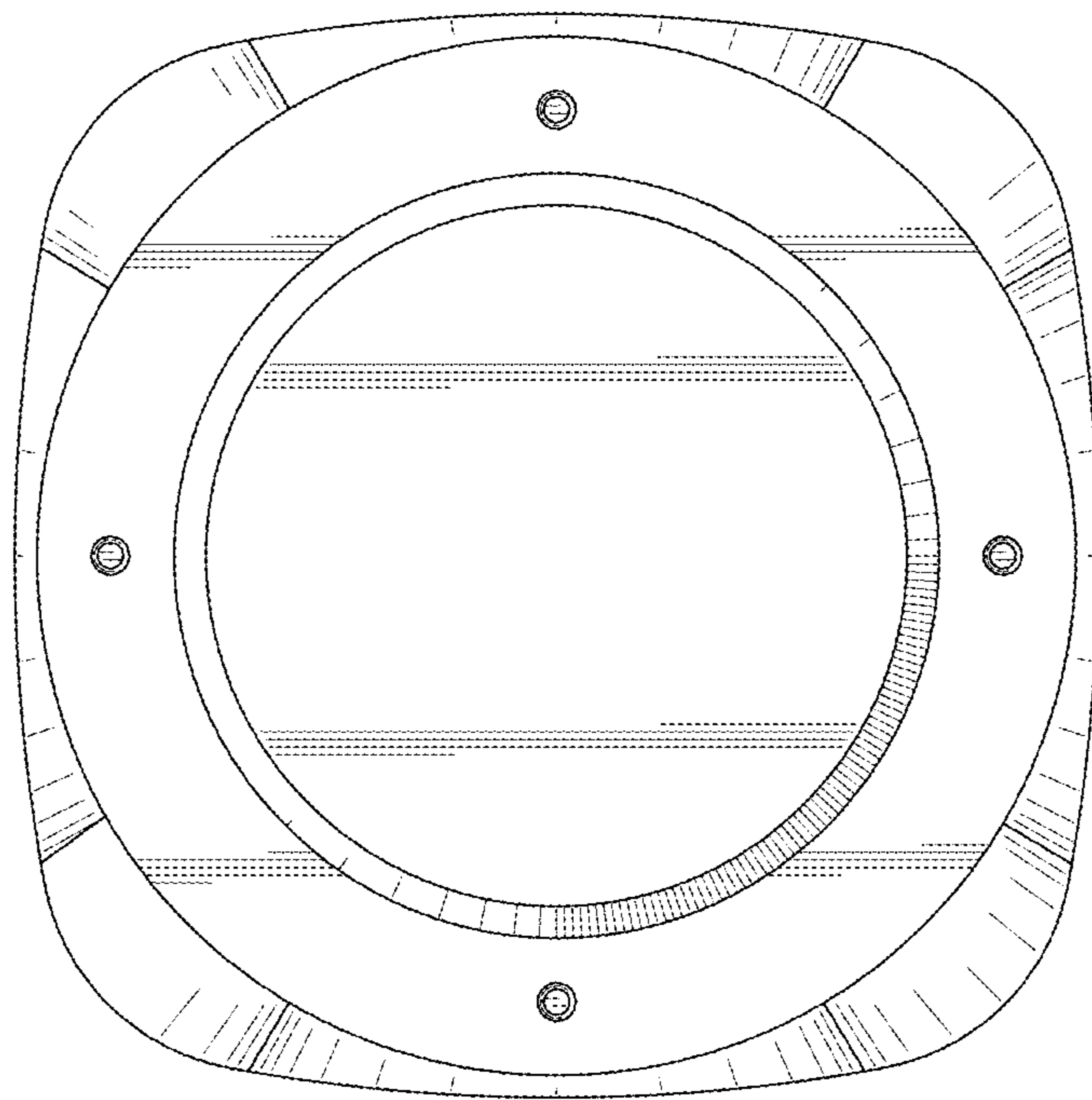


FIG. 7



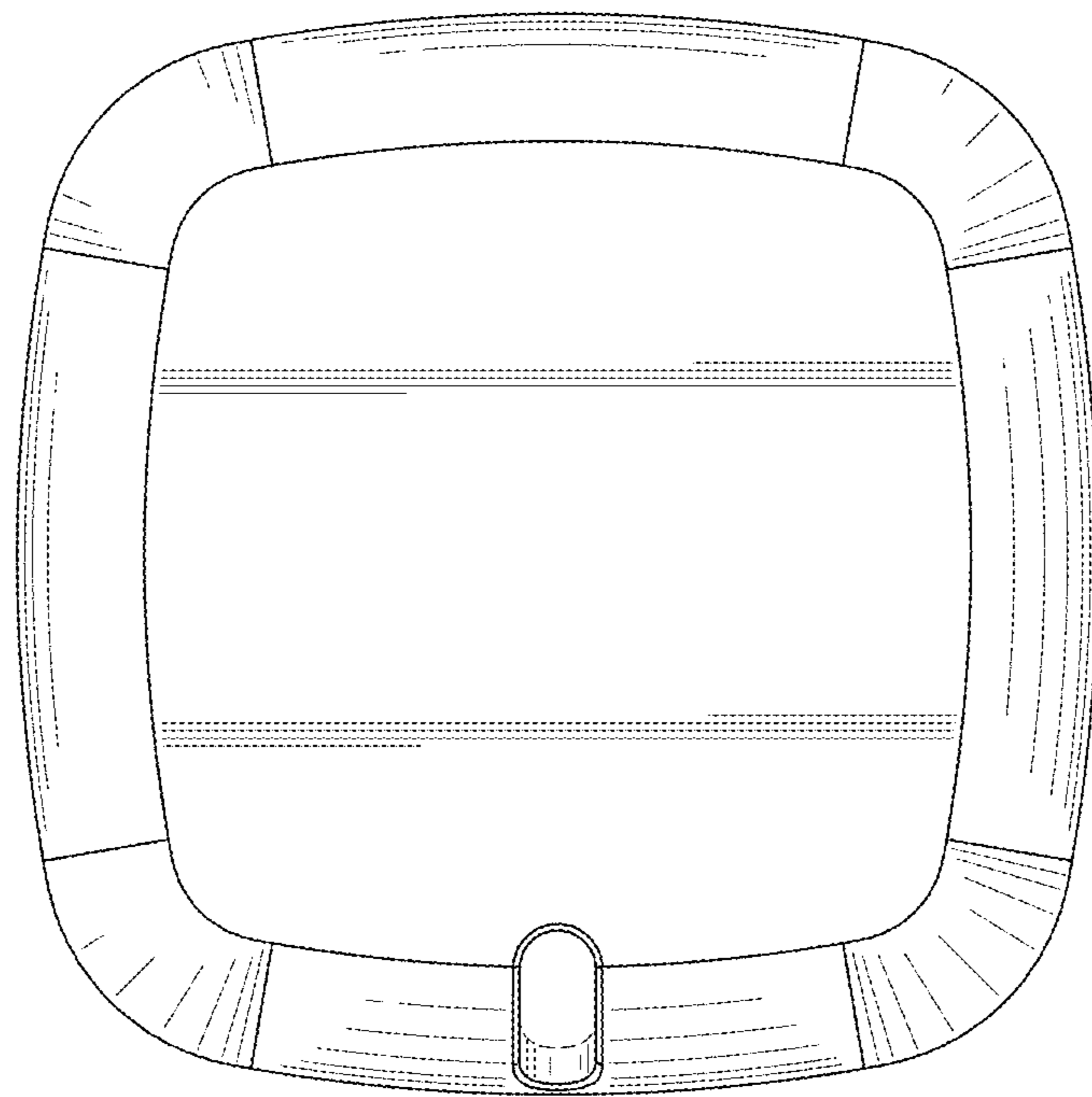


FIG. 8