



US00D886787S

(12) **United States Design Patent**  
**Wang**

(10) **Patent No.:** **US D886,787 S**

(45) **Date of Patent:** **\*\* Jun. 9, 2020**

(54) **COMBINED SPEAKER AND DISPLAY**

(71) Applicant: **AMTRAN TECHNOLOGY CO., LTD**, New Taipei (TW)

(72) Inventor: **Kuan-Hua Wang**, New Taipei (TW)

(73) Assignee: **AMTRAN TECHNOLOGY CO., LTD**, New Taipei (TW)

(\*\*) Term: **15 Years**

(21) Appl. No.: **29/654,054**

(22) Filed: **Jun. 20, 2018**

(30) **Foreign Application Priority Data**

Apr. 2, 2018 (CN) ..... 2018 3 0126807

(51) **LOC (12) Cl.** ..... **14-01**

(52) **U.S. Cl.**  
USPC ..... **D14/204**

(58) **Field of Classification Search**

USPC ..... D14/188, 203.1–203.8, 204, 210–213,  
D14/215, 216, 441; 181/143, 144, 148,  
181/153, 157, 198, 199; 369/6–12;  
381/300–303, 361–364, 366, 386–388

CPC ..... H04R 1/02; H04R 1/021; H04R 1/025;  
H04R 1/026; H04R 5/00; H04R 9/06;  
H04R 19/013; H04R 2400/00

See application file for complete search history.

(56) **References Cited**

**U.S. PATENT DOCUMENTS**

D450,050 S \* 11/2001 Marcum ..... D14/214

D467,897 S *	12/2002	Lin	.....	D14/211
D476,640 S *	7/2003	Harris	.....	D14/211
D483,739 S *	12/2003	Olson	.....	D14/214
D487,435 S *	3/2004	Huang	.....	D14/129
D546,348 S *	7/2007	Yuyama	.....	D14/496
D602,465 S *	10/2009	Mills	.....	D14/168
D624,535 S *	9/2010	Tsai	.....	D14/336
D630,187 S *	1/2011	Ching	.....	D14/214
D645,025 S *	9/2011	Poandl	.....	D14/214

\* cited by examiner

*Primary Examiner* — Janice Patyk

(74) *Attorney, Agent, or Firm* — Maschoff Brennan

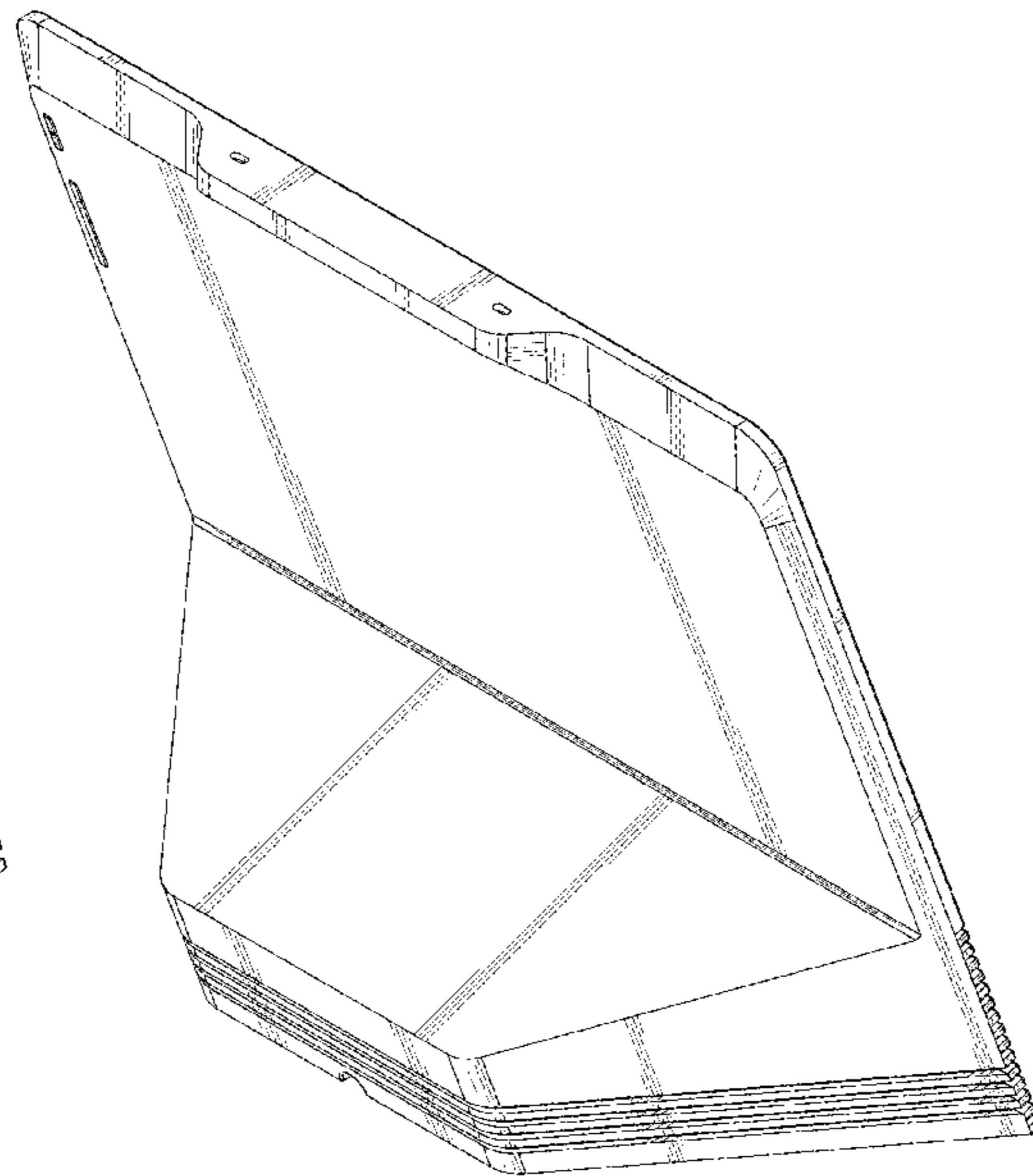
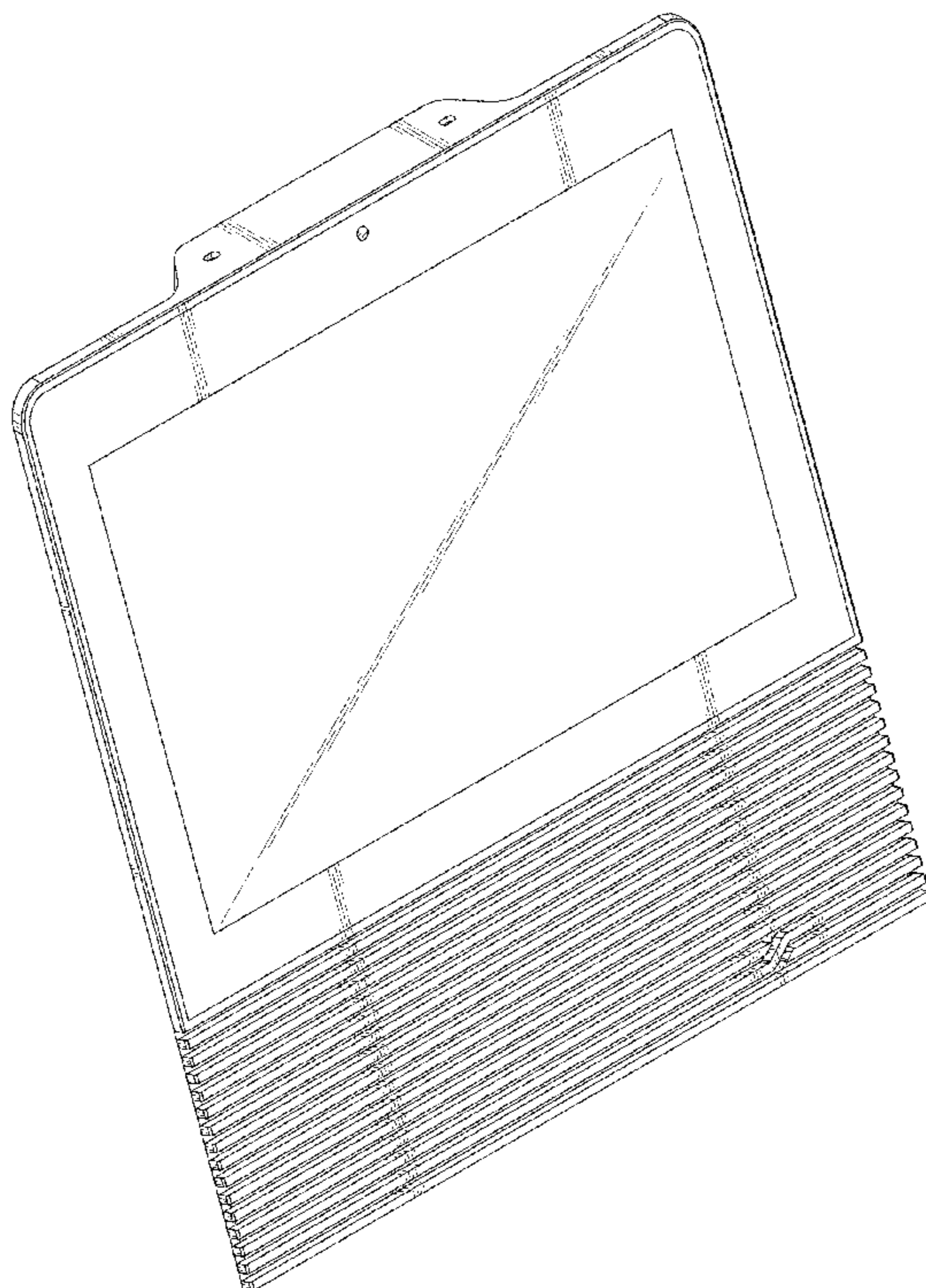
(57) **CLAIM**

The ornamental design for a “combined speaker and display”, as shown and described.

**DESCRIPTION**

FIG. 1 is a top, front, left side perspective view of a combined speaker and display, showing my new design; FIG. 2 is a top, rear, left side perspective view thereof; FIG. 3 is a bottom, rear, right side perspective view thereof; FIG. 4 is a front view thereof; FIG. 5 is a rear view thereof; FIG. 6 is a left side view thereof; FIG. 7 is a right side view thereof; FIG. 8 is a top view thereof; and, FIG. 9 is a bottom view thereof.

**1 Claim, 9 Drawing Sheets**



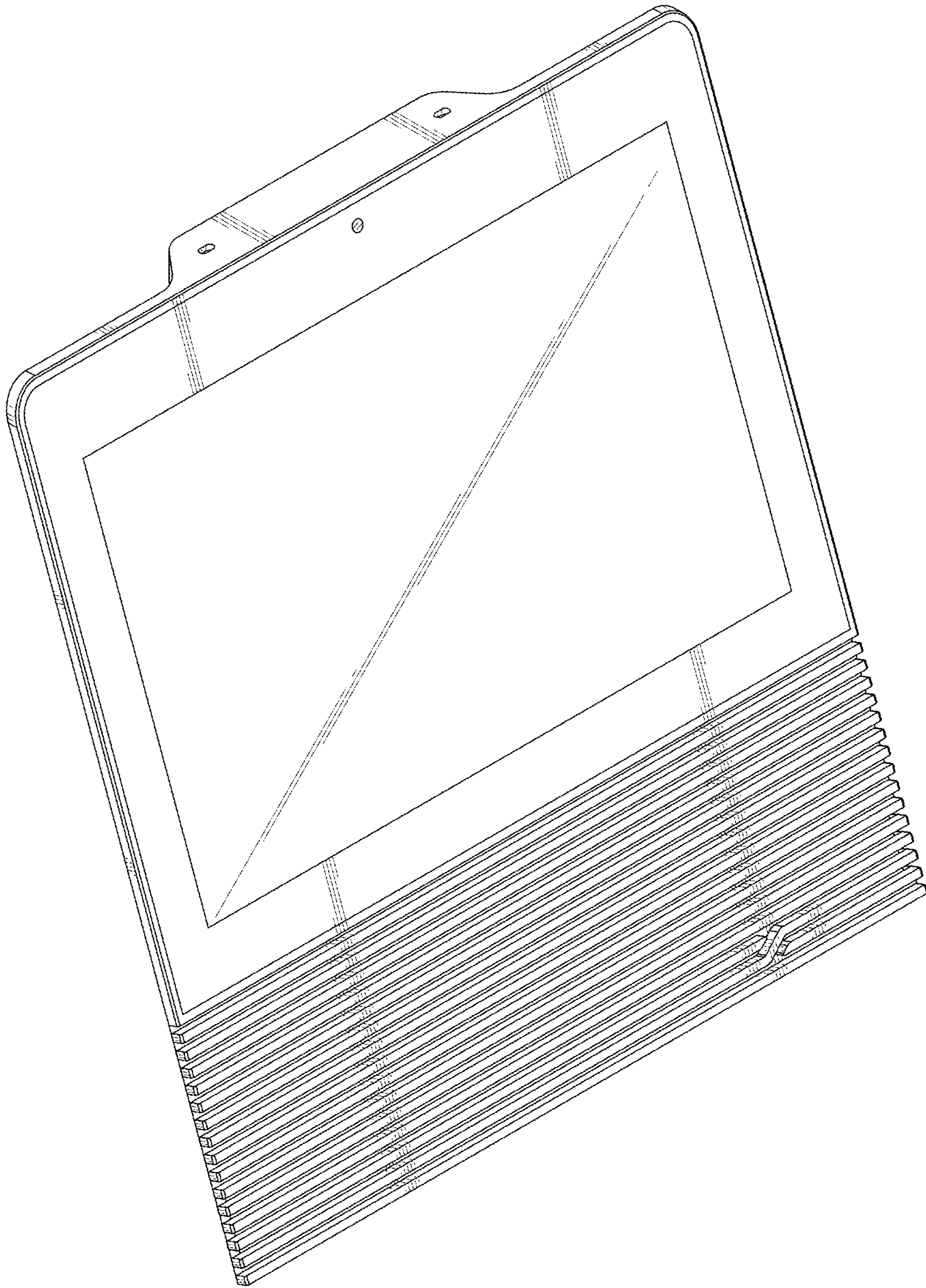


FIG. 1



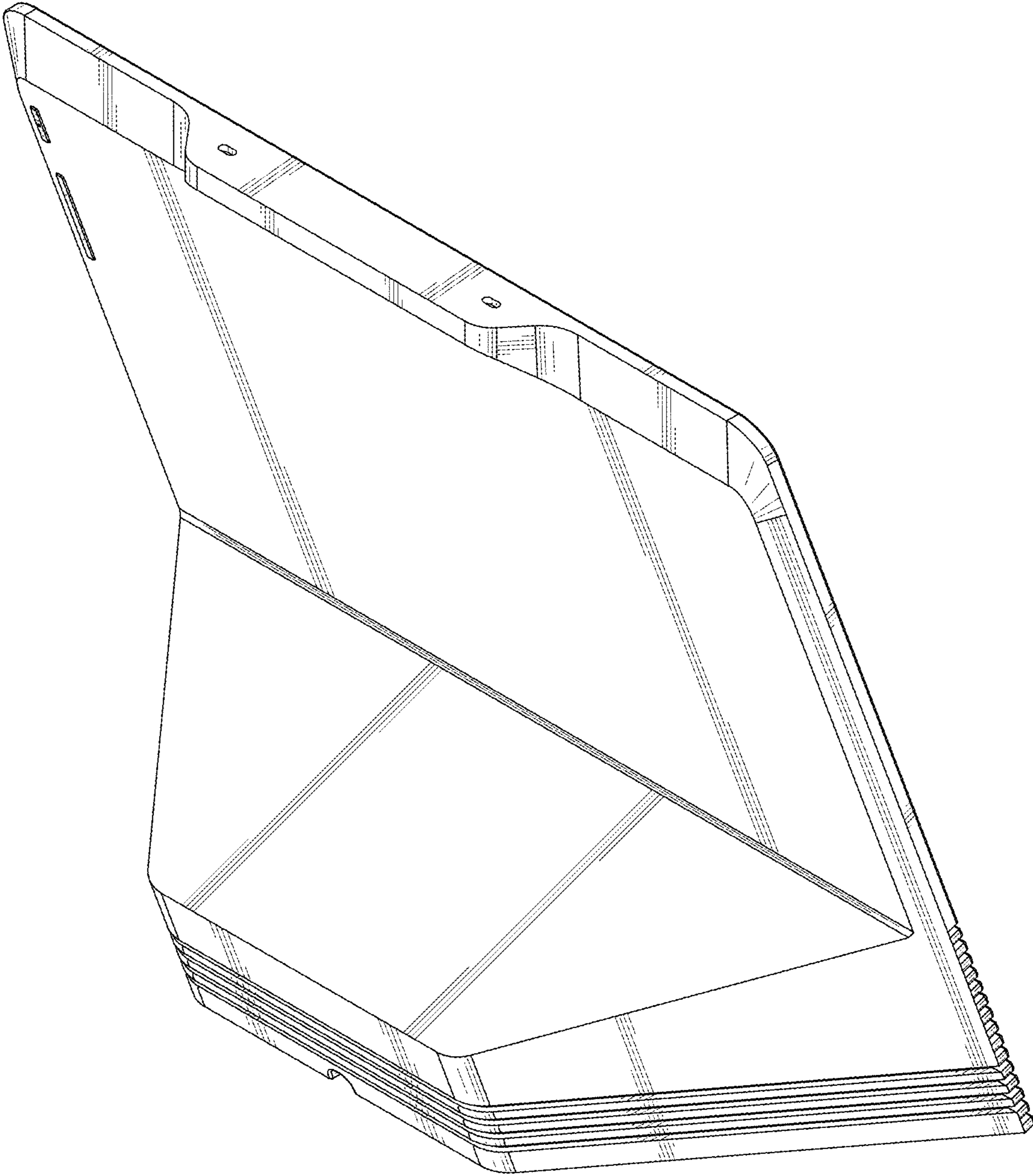


FIG. 2

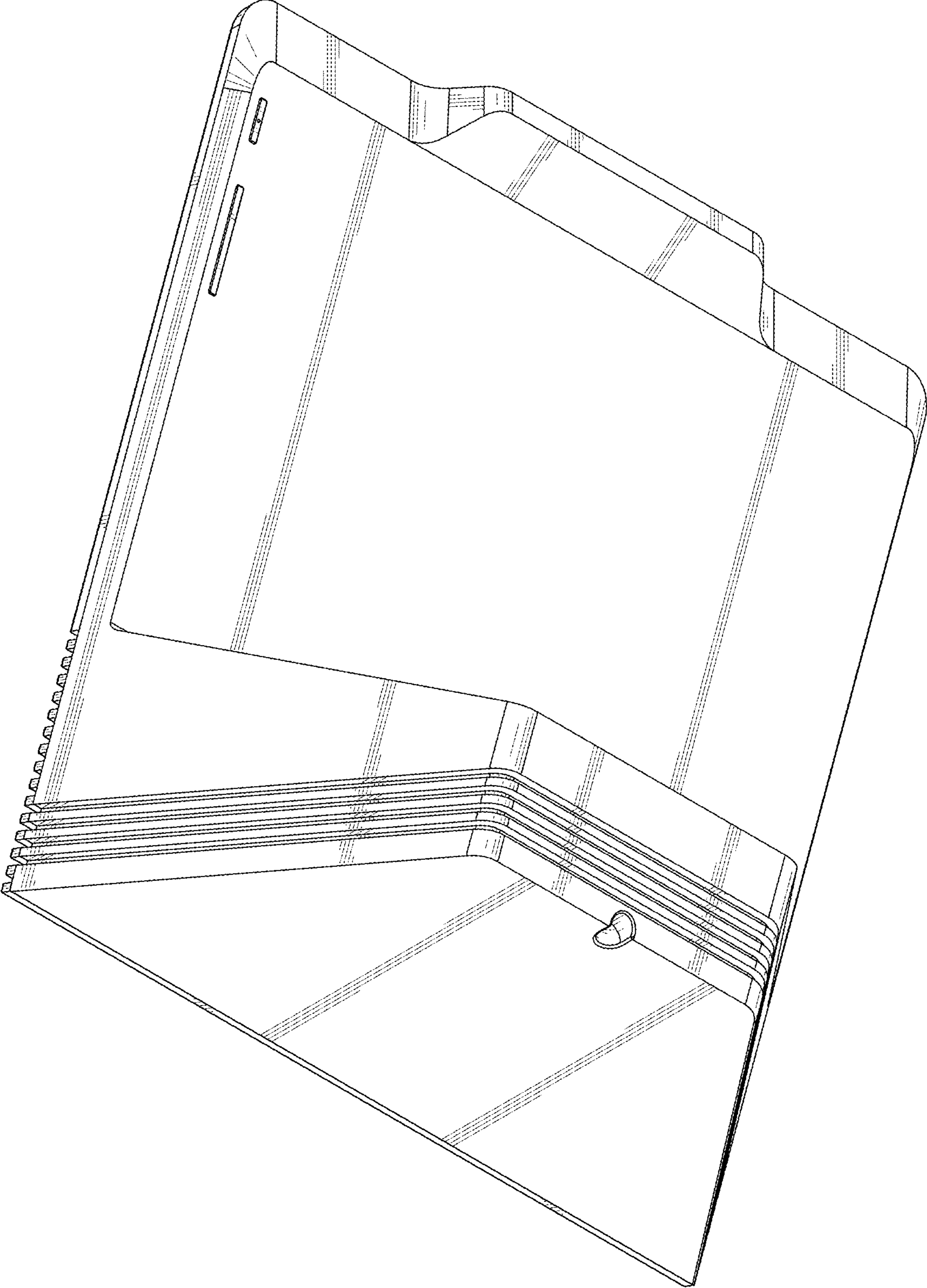


FIG. 3

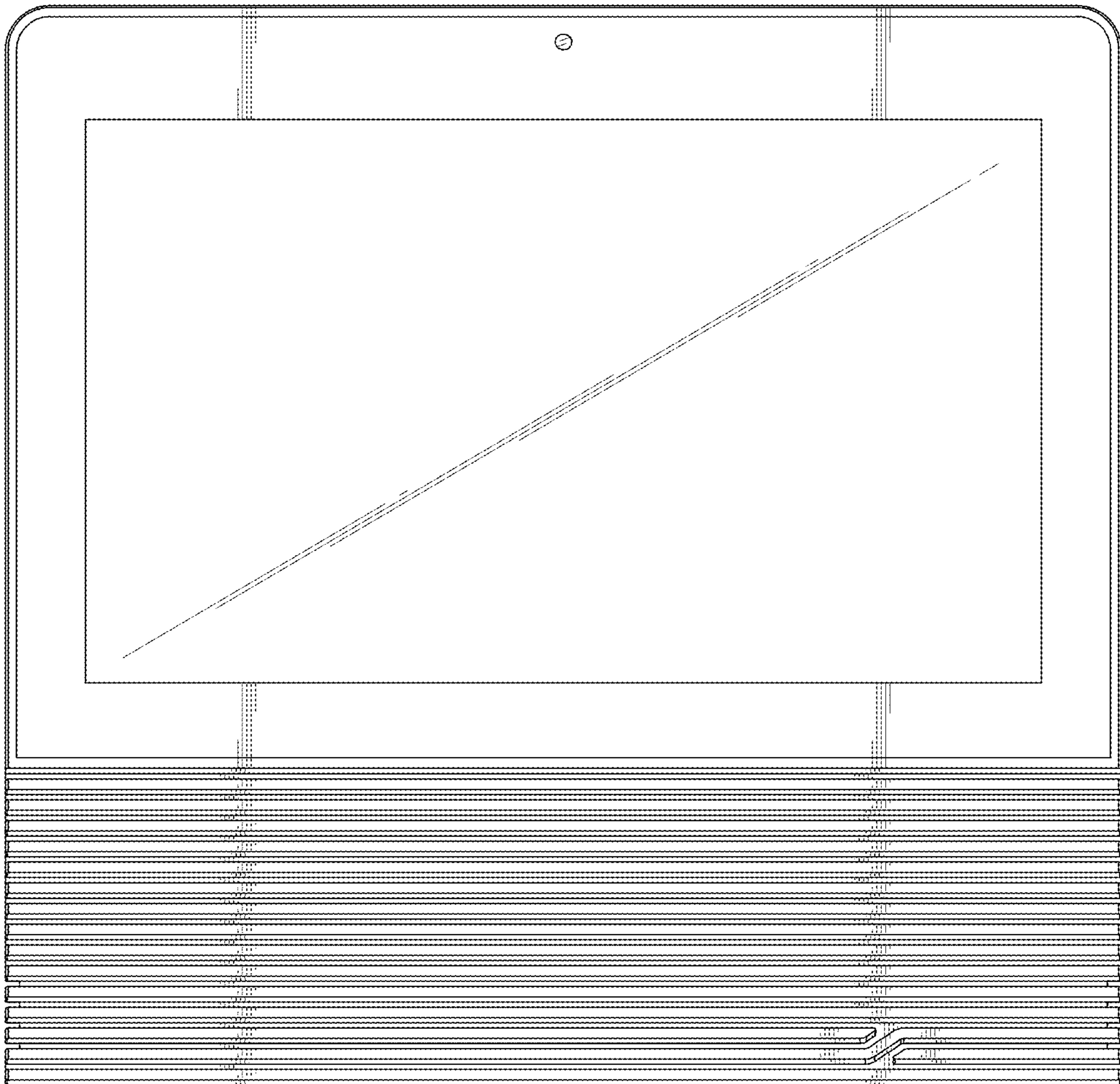


FIG. 4

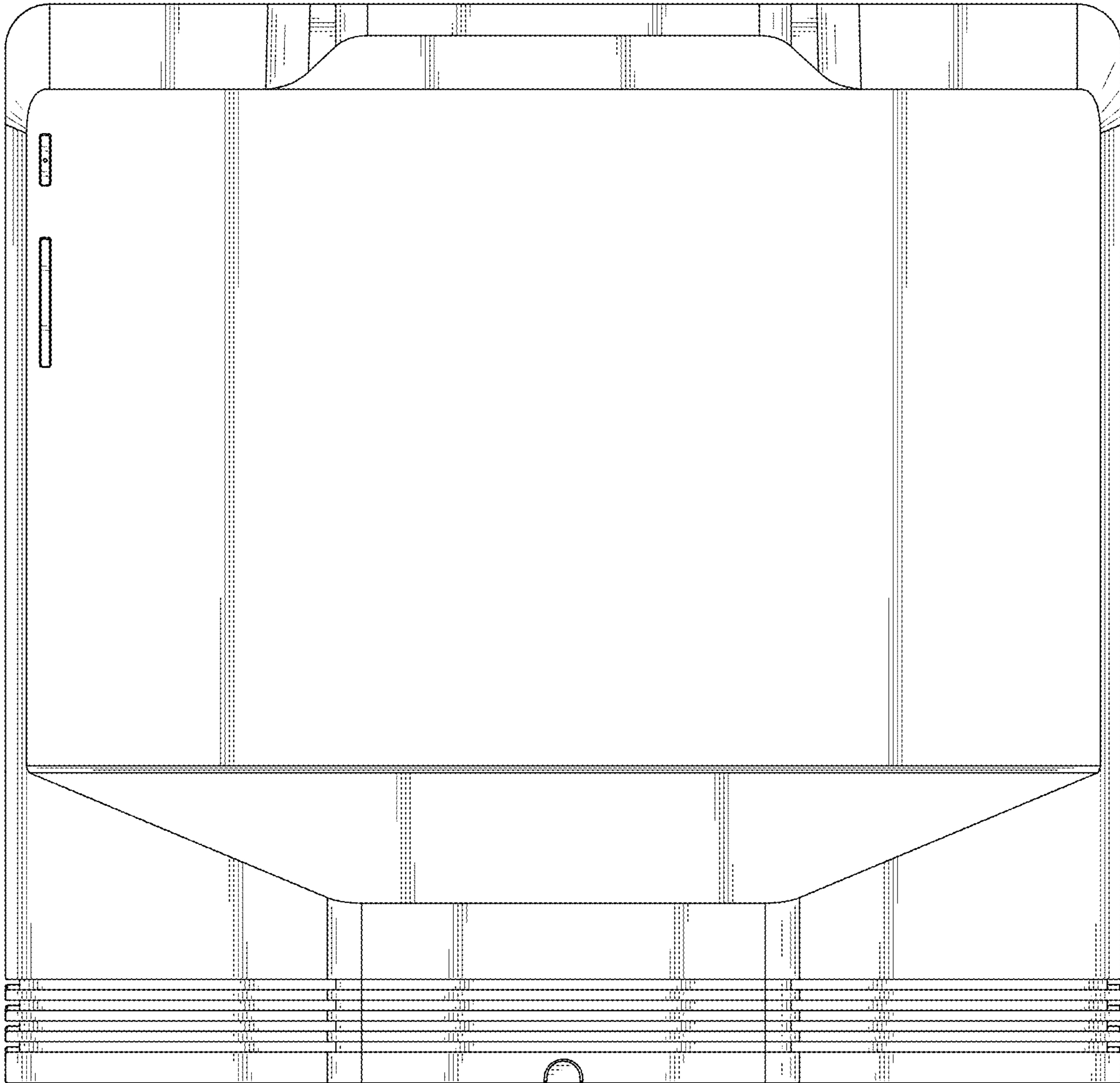


FIG. 5

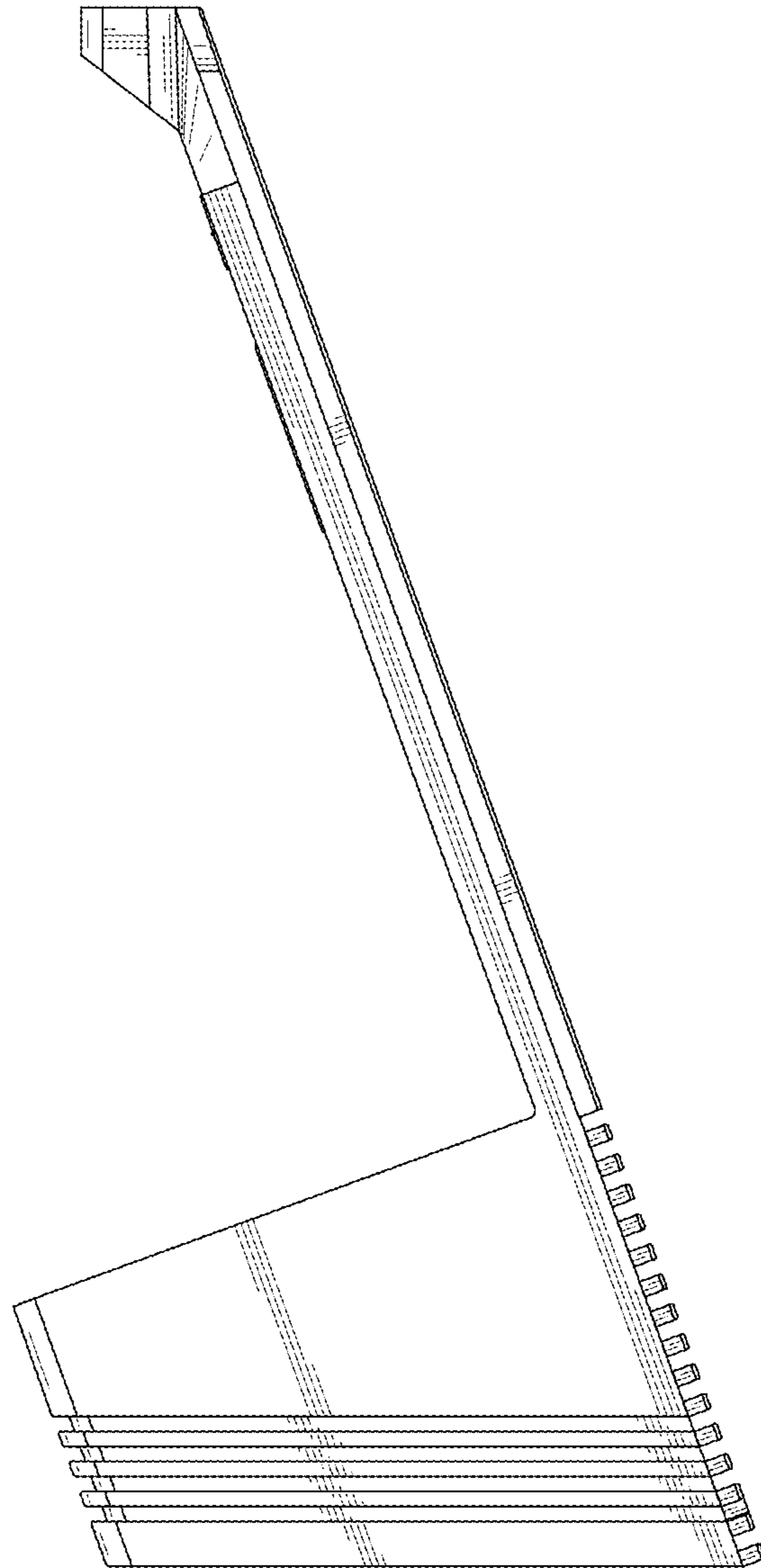


FIG. 6



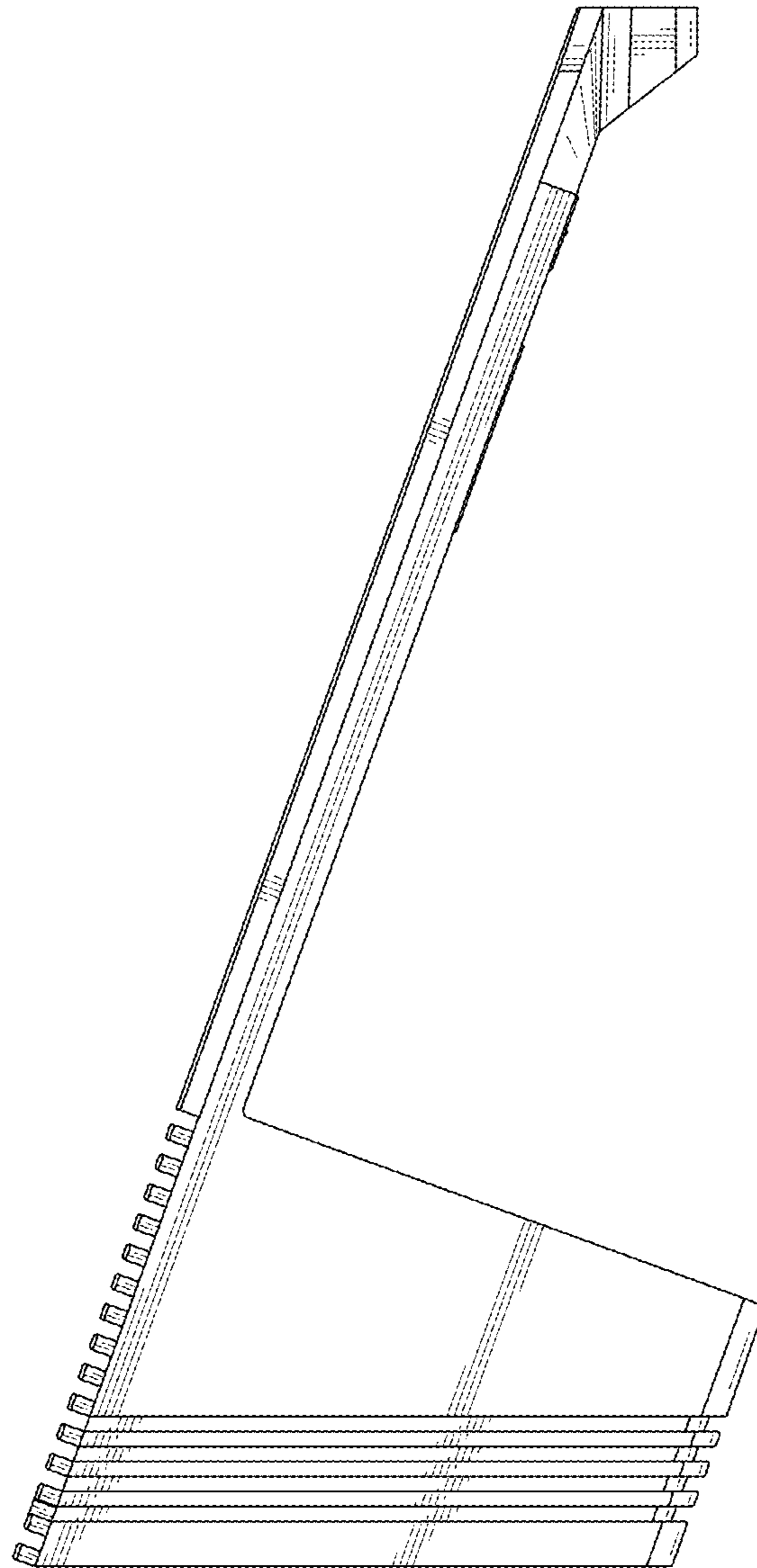


FIG. 7



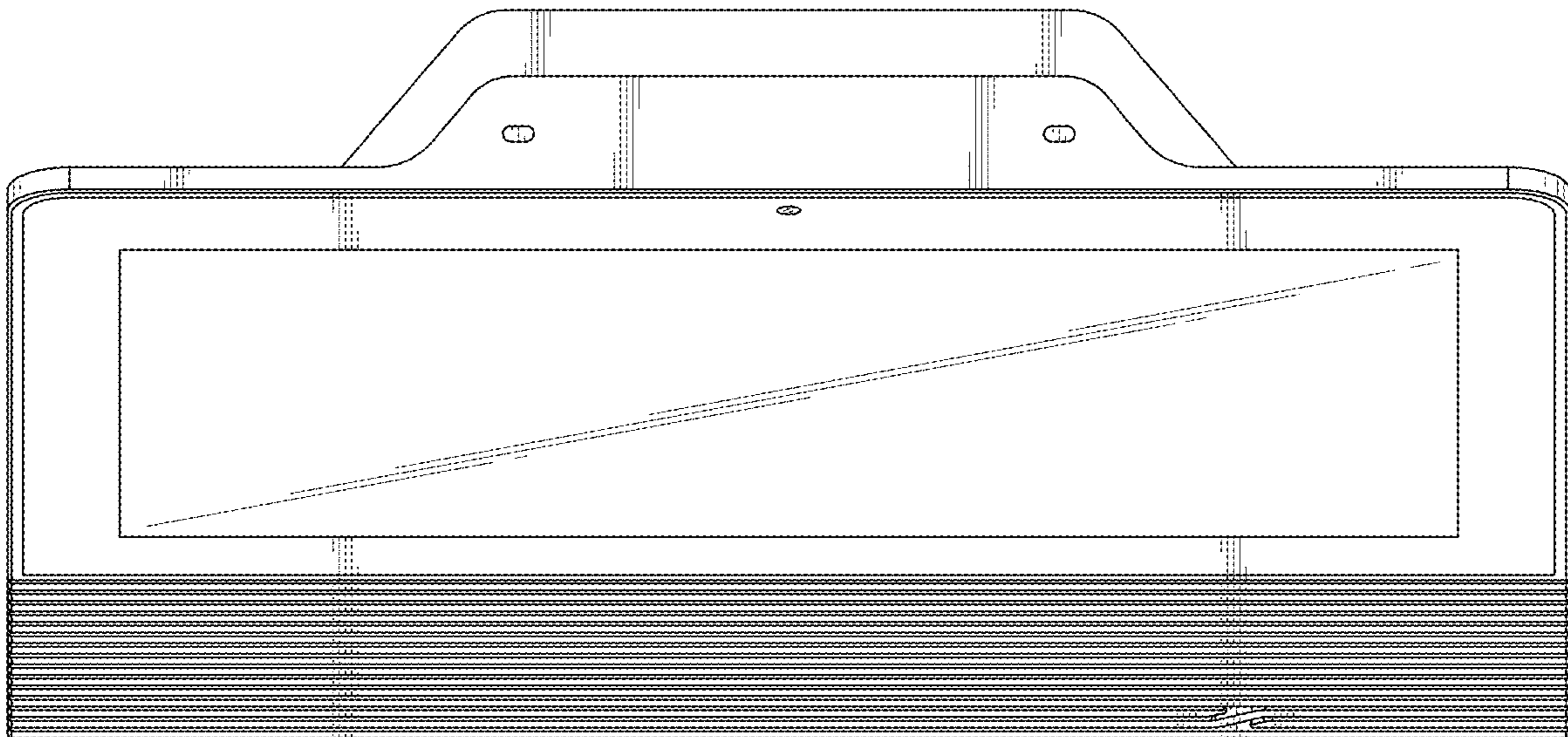


FIG. 8

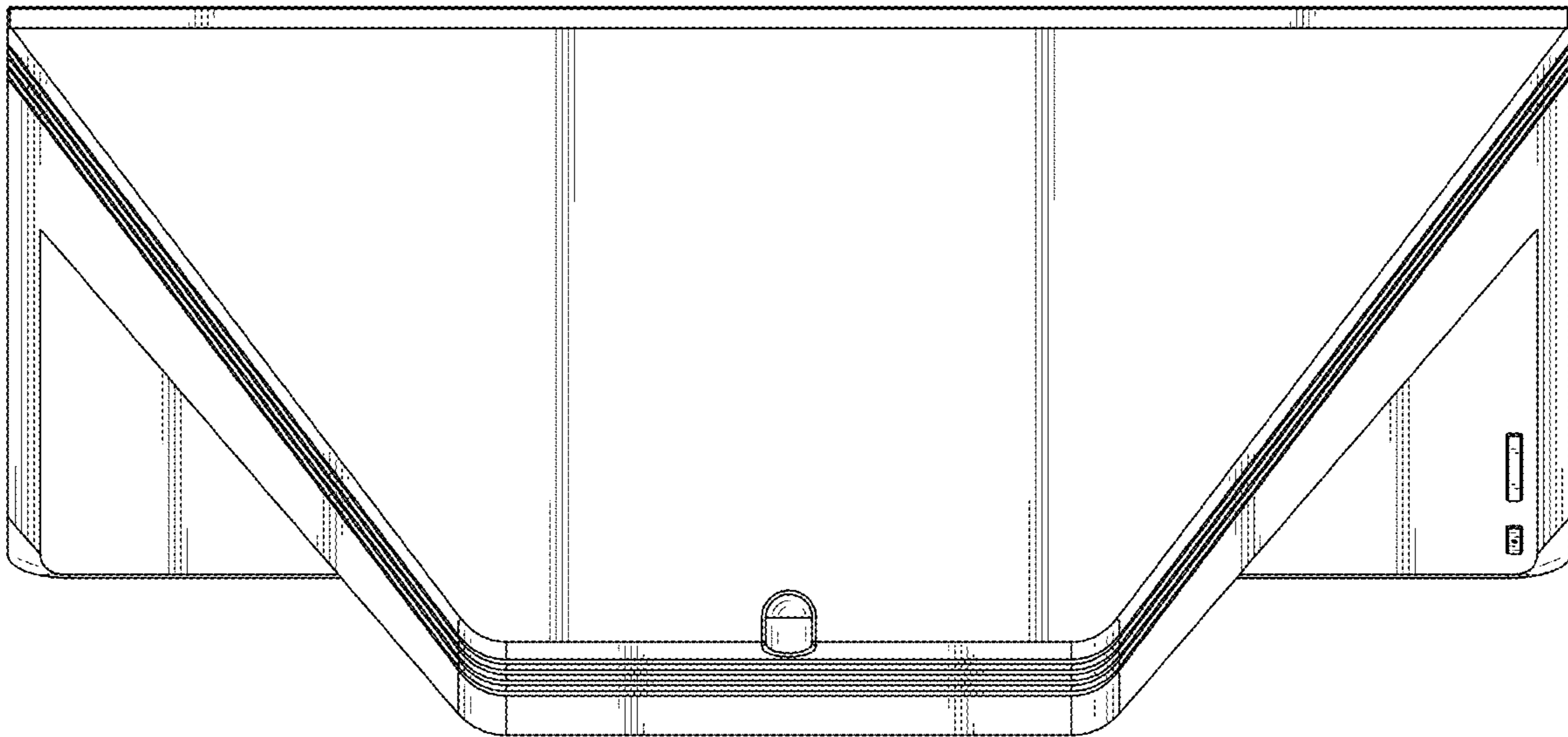


FIG. 9