



US00D886782S

(12) **United States Design Patent**  
**Yasuda**

(10) **Patent No.:** **US D886,782 S**  
(45) **Date of Patent:** **\*\* Jun. 9, 2020**

- (54) **SPEAKER BOX**
- (71) Applicant: **Panasonic Intellectual Property Management Co., Ltd., Osaka (JP)**
- (72) Inventor: **Tomohiro Yasuda, Osaka (JP)**
- (73) Assignee: **Panasonic Intellectual Property Management Co., Ltd., Osaka (JP)**
- (\*\*) Term: **15 Years**
- (21) Appl. No.: **29/639,983**
- (22) Filed: **Mar. 9, 2018**
- (51) **LOC (12) Cl.** ..... **14-01**
- (52) **U.S. Cl.**  
USPC ..... **D14/204**
- (58) **Field of Classification Search**  
USPC .... D14/167, 188, 204, 209.1, 210–215, 348,  
D14/352, 498–505; 181/143, 144, 148,  
181/153, 157, 198, 199; 369/6–12;  
381/300–303, 361–364, 366, 386–388  
CPC ..... H04R 1/02; H04R 1/021; H04R 1/023;  
H04R 5/00; H04R 9/06; H04R 2420/07  
See application file for complete search history.

- D611,033 S \* 3/2010 Ferber ..... D14/209.1
- D637,994 S \* 5/2011 Chae ..... D14/168
- D641,731 S \* 7/2011 Hoggarth ..... D14/216
- D740,787 S \* 10/2015 Jang ..... D14/214

FOREIGN PATENT DOCUMENTS

- JP D1408210 2/2011
- JP D1457541 12/2012

\* cited by examiner

*Primary Examiner* — Janice Patyk  
(74) *Attorney, Agent, or Firm* — Panasonic IP Management; Kerry S. Culpepper

(57) **CLAIM**

I claim the ornamental design for a speaker box, as shown and described.

**DESCRIPTION**

FIG. 1 is a front perspective view of a speaker box of the present invention;  
FIG. 2 is a rear perspective view thereof;  
FIG. 3 is a front view thereof;  
FIG. 4 is a rear view thereof;  
FIG. 5 is a first side view thereof;  
FIG. 6 is a second side view thereof;  
FIG. 7 is a top view thereof; and,  
FIG. 8 is a bottom view thereof.

The broken lines in the drawings represent portions of the speaker box that form no part of the claimed design.

**1 Claim, 8 Drawing Sheets**

- (56) **References Cited**  
U.S. PATENT DOCUMENTS  
D379,007 S \* 4/1997 Obata ..... D14/162  
D485,821 S \* 1/2004 Fantaay ..... D14/188  
D537,070 S \* 2/2007 Warden ..... D14/214  
D538,767 S \* 3/2007 Chae ..... D14/135  
D563,388 S \* 3/2008 Aquillano ..... D14/214

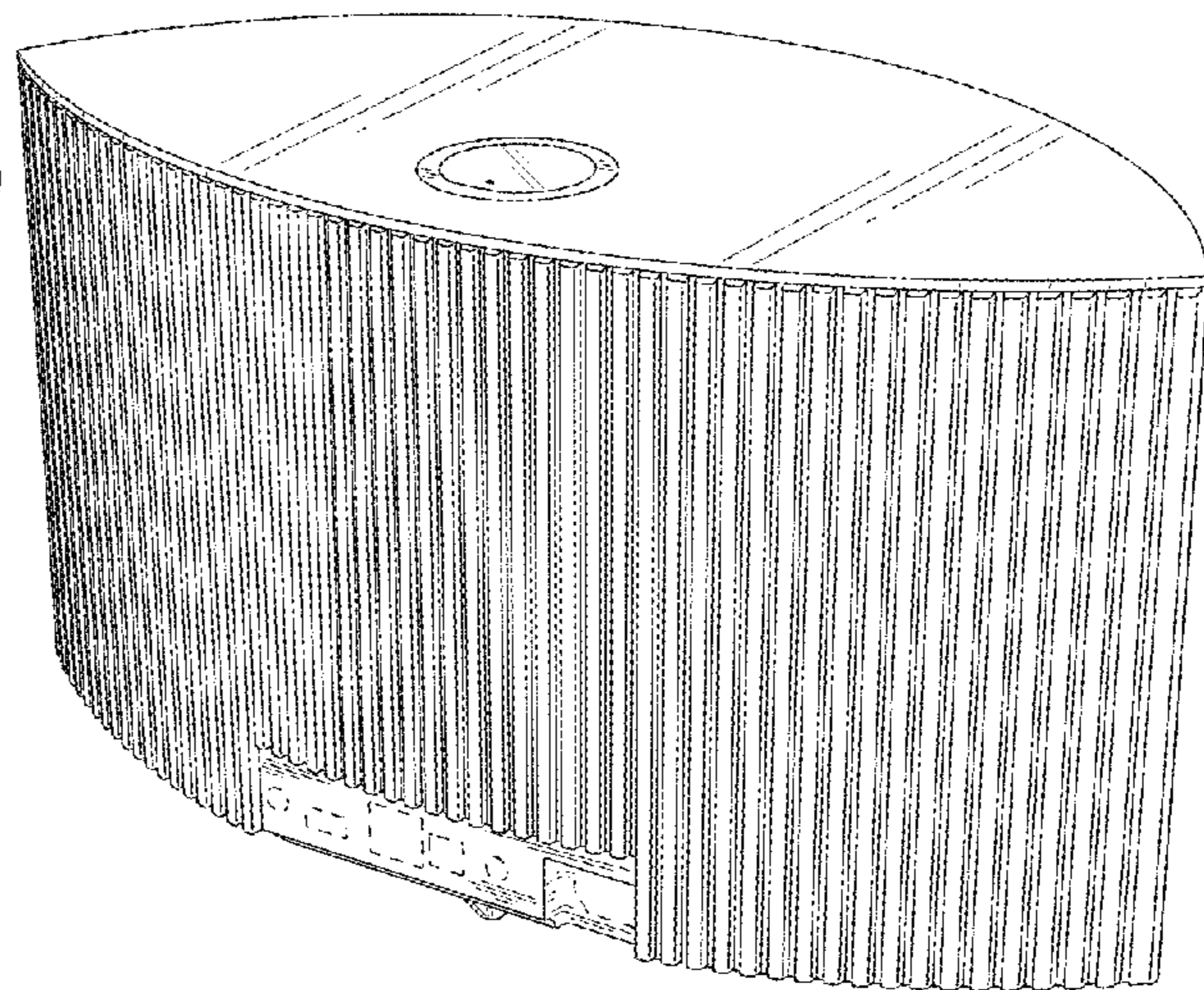
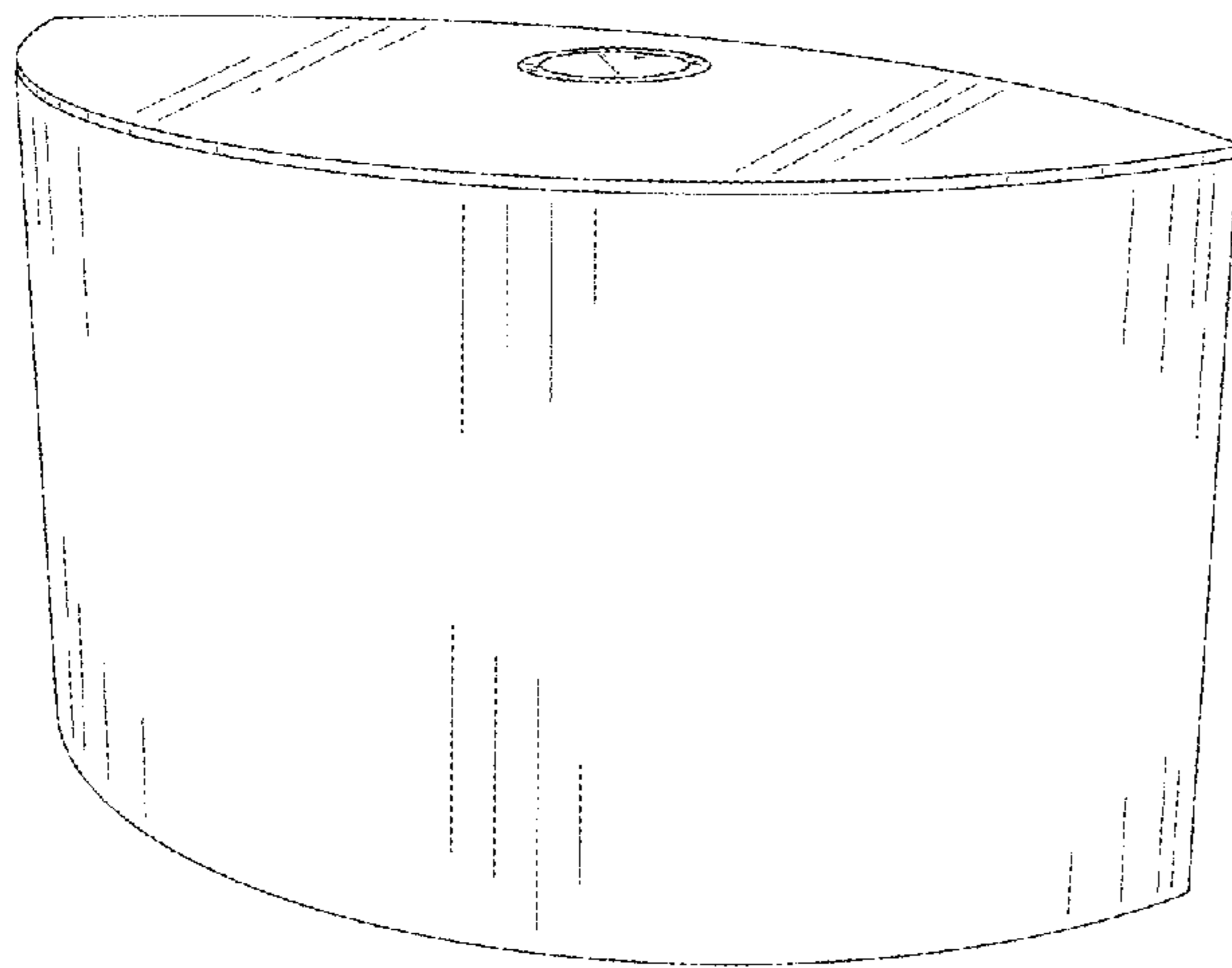


FIG. 1

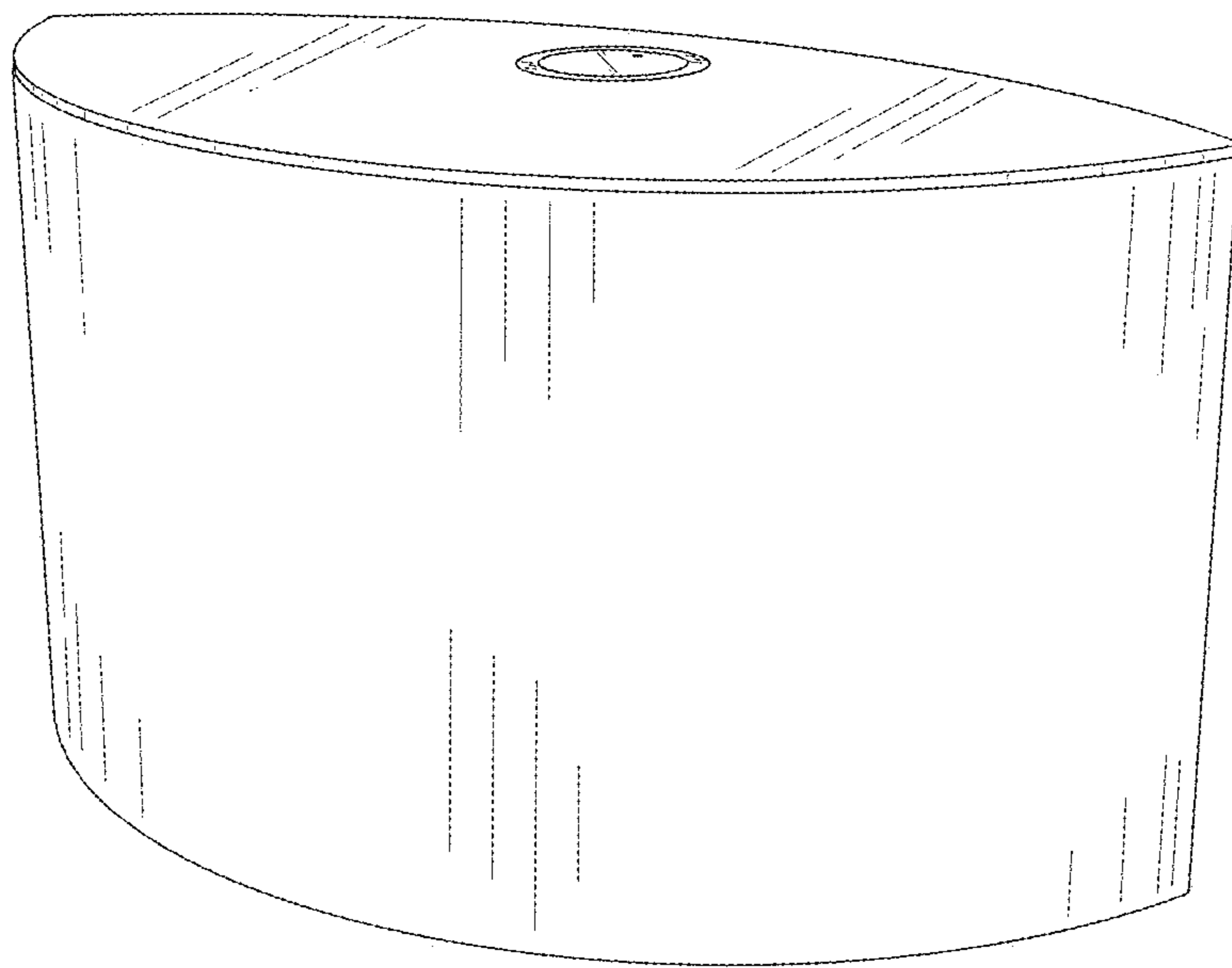


FIG. 2

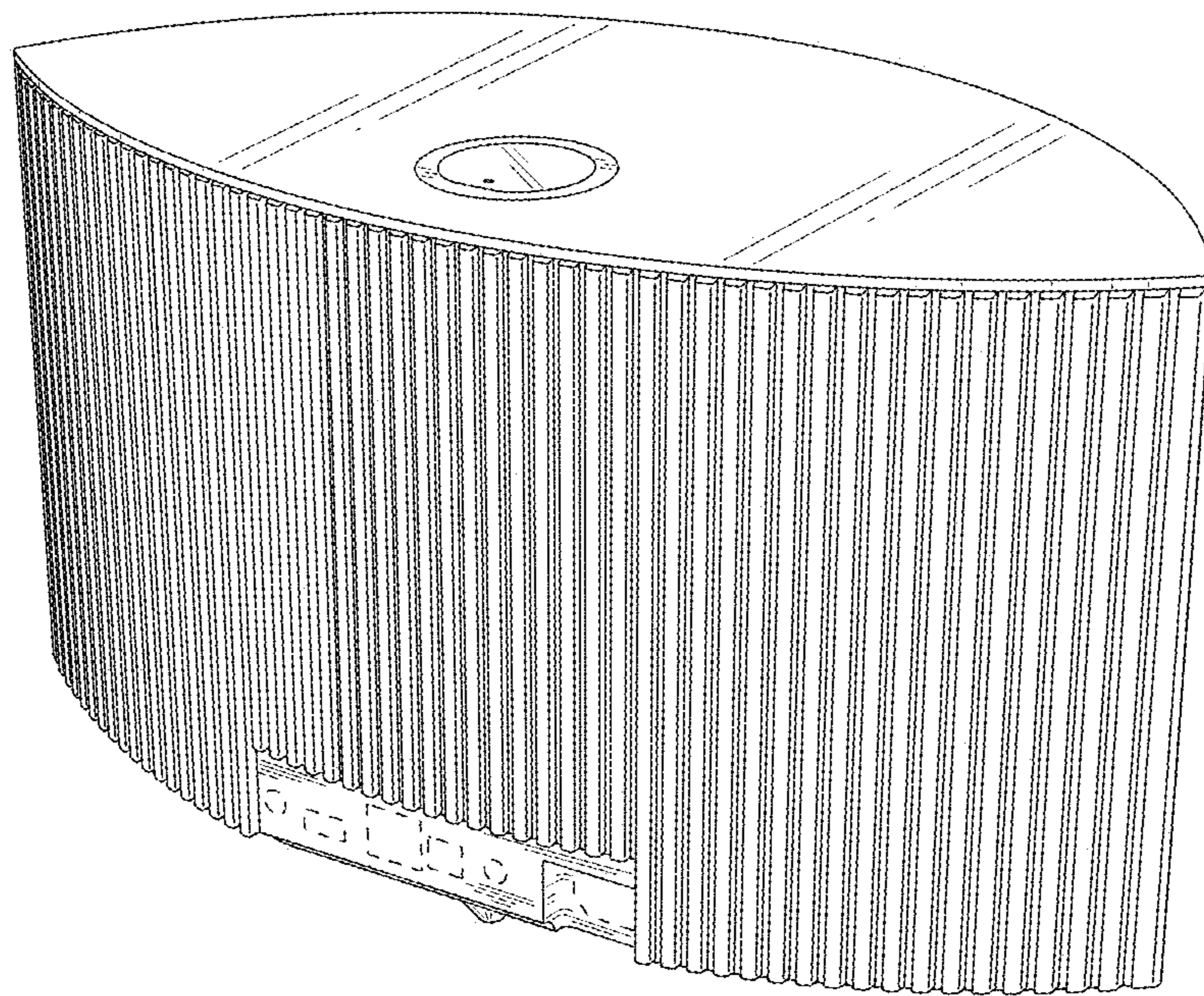


FIG. 3

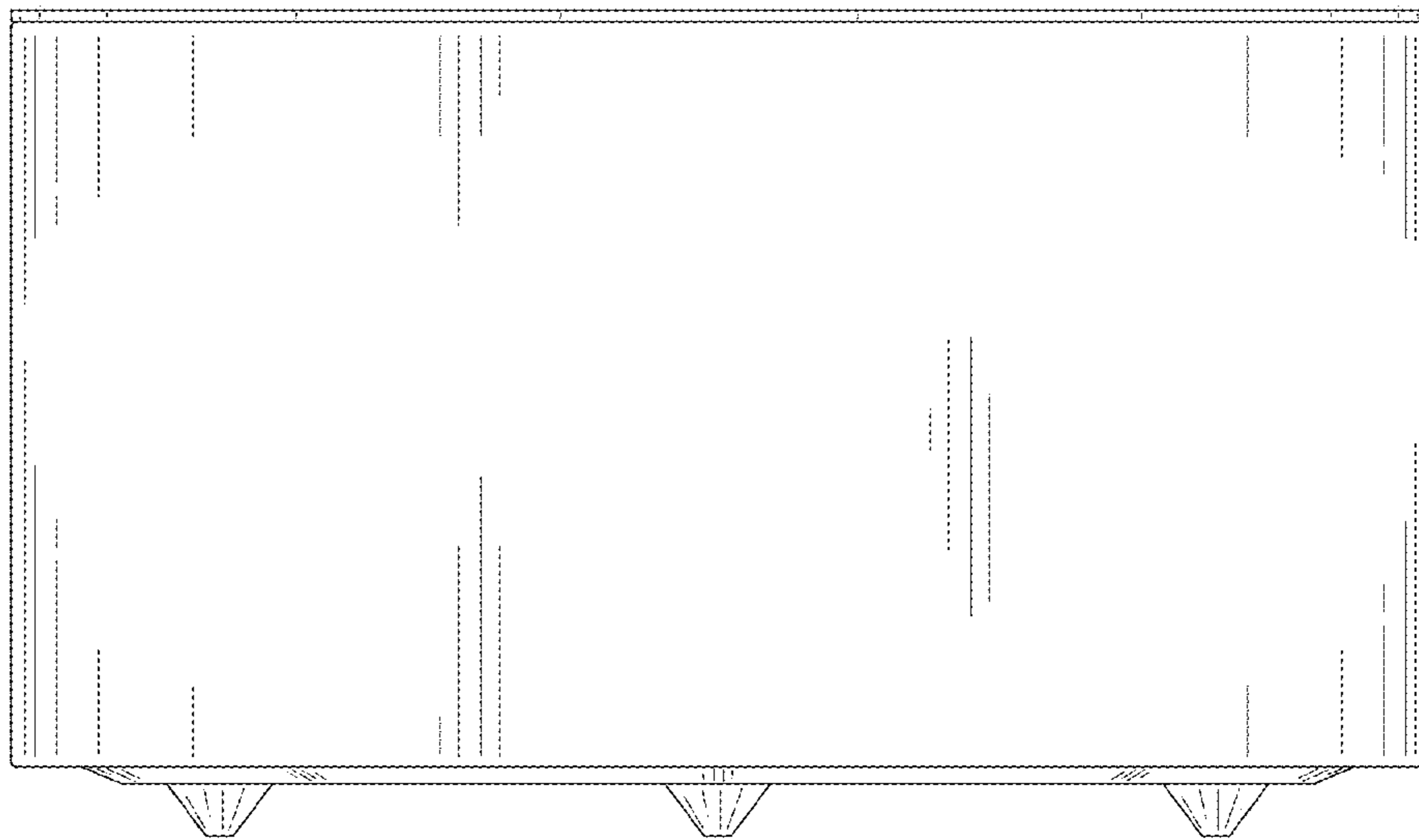


FIG. 4

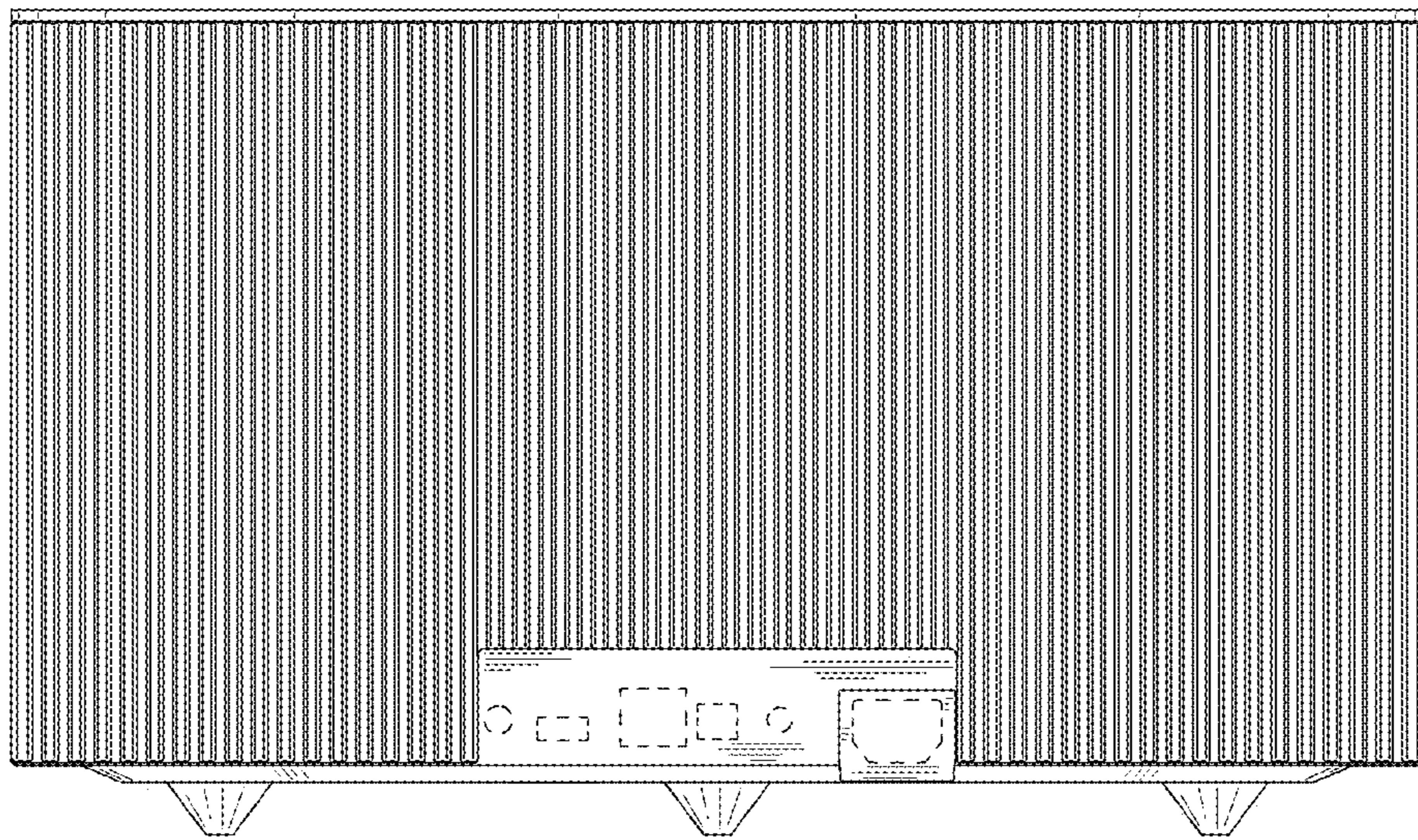


FIG. 5

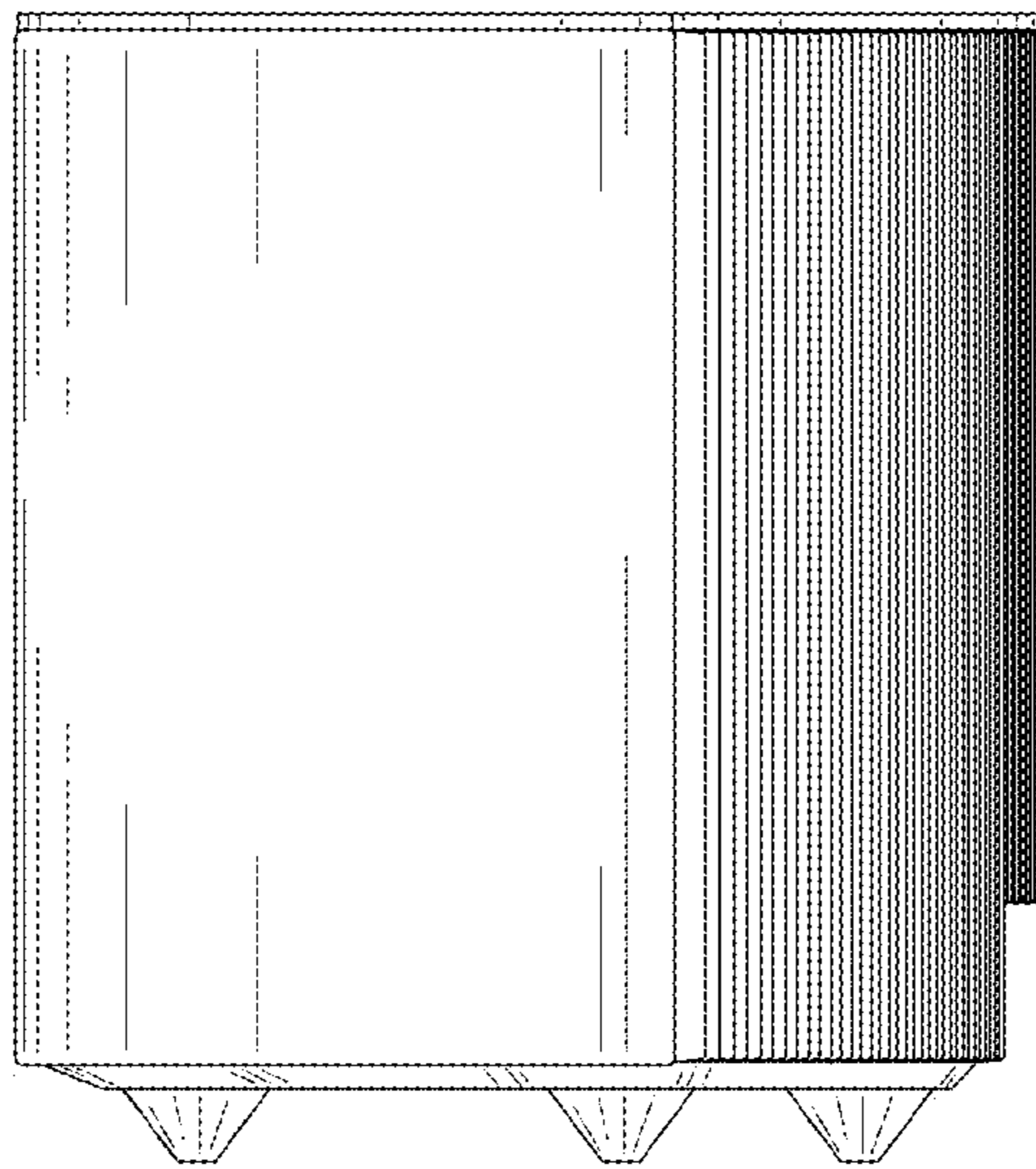


FIG. 6

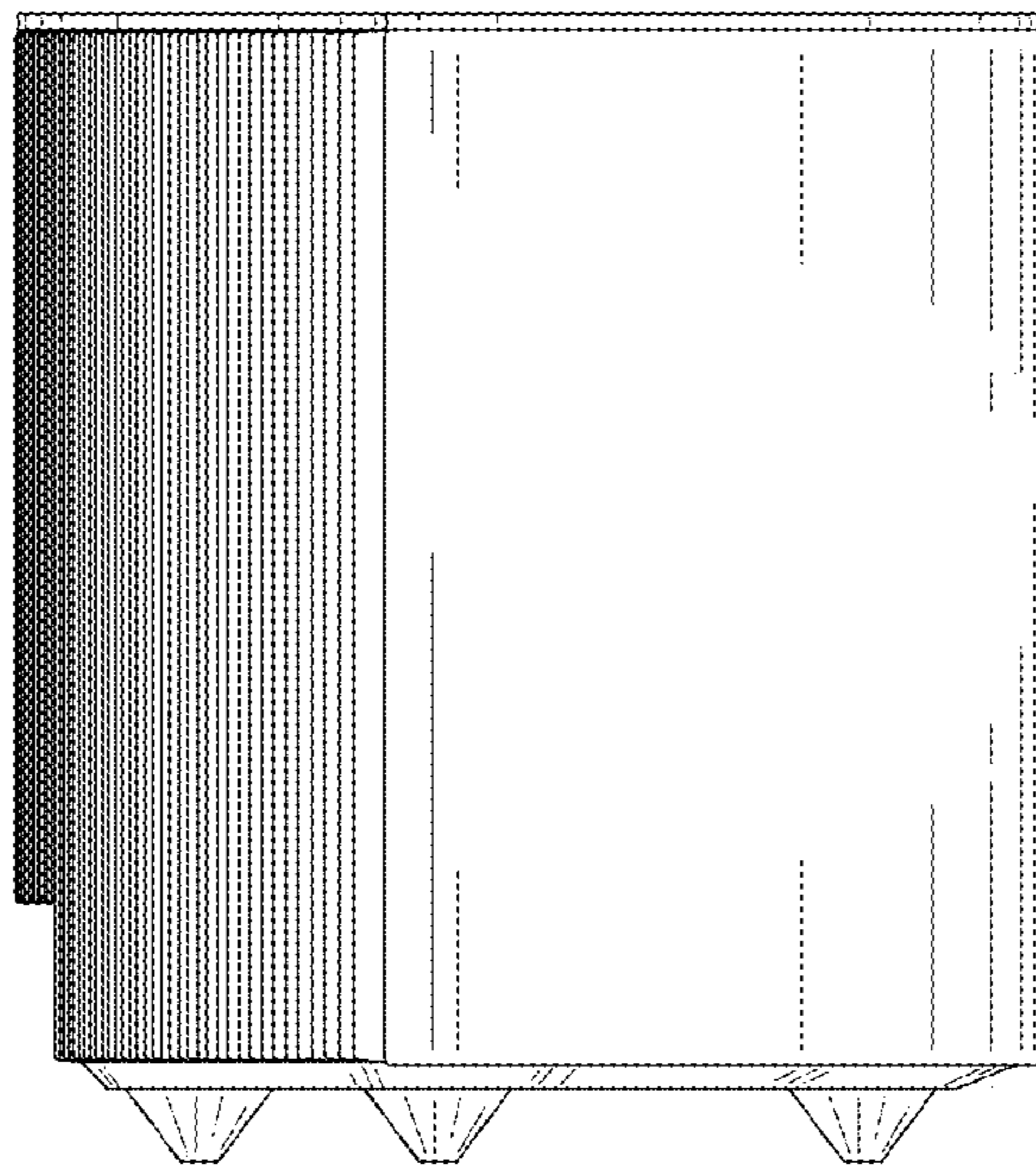


FIG. 7

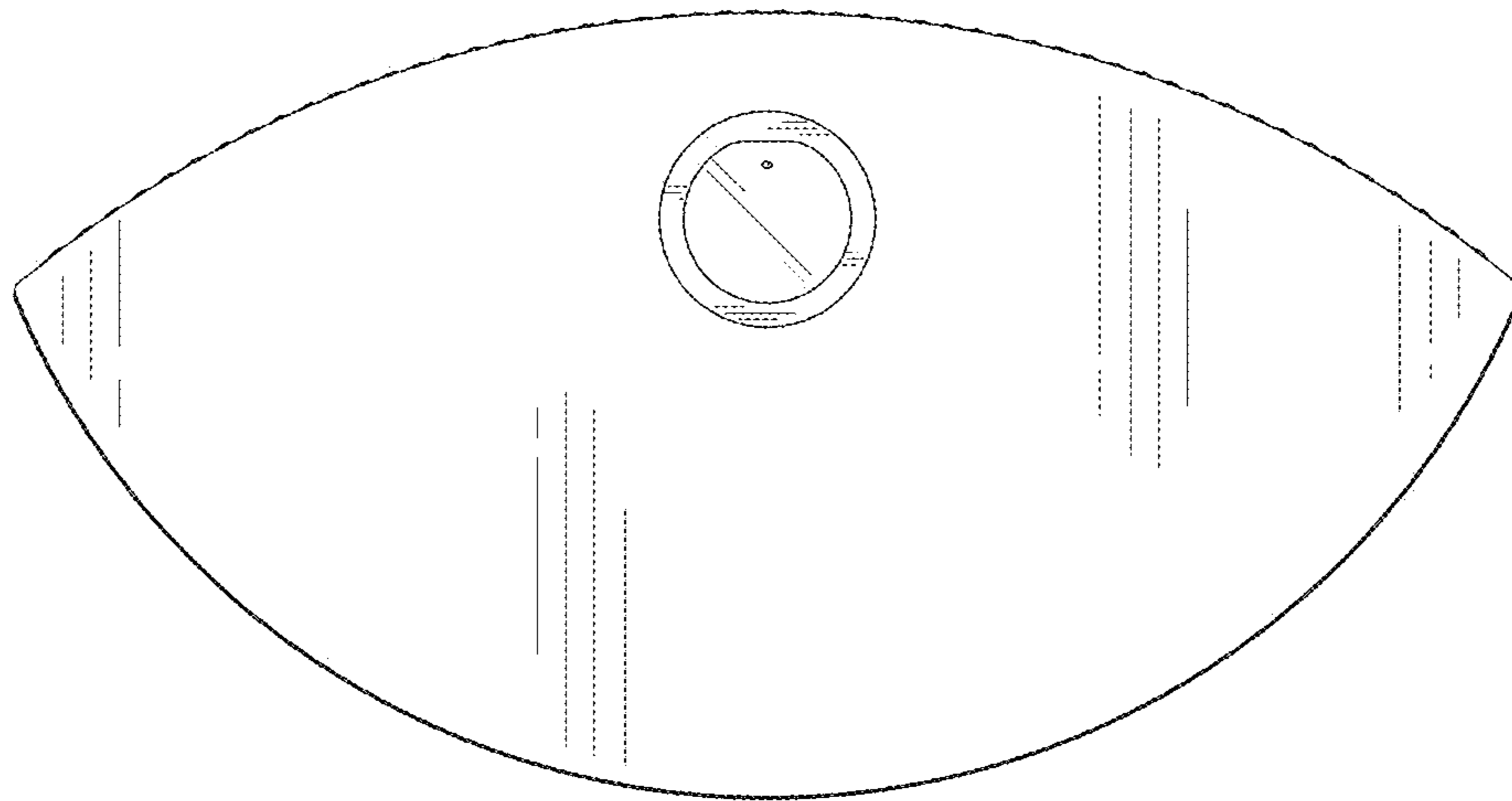




FIG. 8

