



US00D886775S

(12) **United States Design Patent**
Shi

(10) **Patent No.:** **US D886,775 S**

(45) **Date of Patent:** **** Jun. 9, 2020**

(54) **SPEAKER**

(71) Applicant: **Shenzhen Lianxingwei Technology CO., LTD**, Shenzhen, Guangdong (CN)

(72) Inventor: **Yuanjing Shi**, Guangdong (CN)

(73) Assignee: **Shenzhen Lianxingwei Technology CO., LTD**, Shenzhen (CN)

(**) Term: **15 Years**

(21) Appl. No.: **29/635,730**

(22) Filed: **Feb. 2, 2018**

(30) **Foreign Application Priority Data**

Jan. 19, 2018 (CN) 2018 3 0026095

(51) **LOC (12) Cl.** **14-01**

(52) **U.S. Cl.**
USPC **D14/204**

(58) **Field of Classification Search**

USPC D14/167, 188, 204, 209.1, 210–215, 348,
D14/352, 498–505; 181/143, 144, 148,
181/153, 157, 198, 199; 369/6–12;
381/300–303, 361–364, 366, 386–388
CPC H04R 1/02; H04R 1/021; H04R 1/023;
H04R 5/00; H04R 9/06; H04R 2420/07
See application file for complete search history.

(56) **References Cited**

U.S. PATENT DOCUMENTS

D484,491 S * 12/2003 Solland D14/216
D488,800 S * 4/2004 Wiener D14/207

D575,770 S * 8/2008 Lewis D14/216
D608,349 S * 1/2010 Wang D14/216
D691,587 S * 10/2013 Ferber D14/216
D695,713 S * 12/2013 Szymanski D14/216
D711,353 S * 8/2014 Szymanski D14/216
D735,163 S * 7/2015 Valeur D14/216
D758,347 S * 6/2016 Hinokio D14/215
D769,223 S * 10/2016 Hinokio D14/215

* cited by examiner

Primary Examiner — Janice Patyk

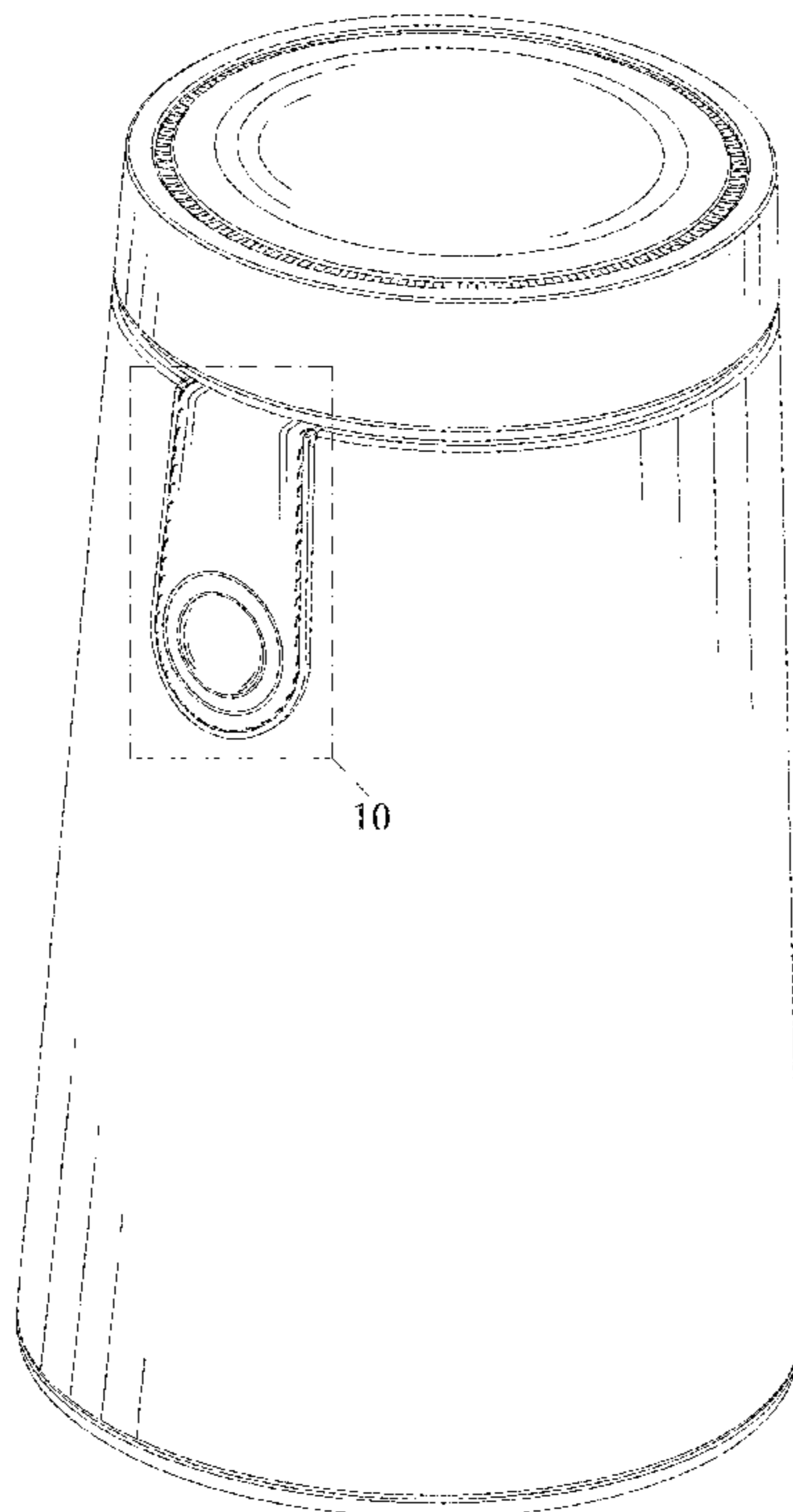
(57) **CLAIM**

The ornamental design for a speaker, as shown and described.

DESCRIPTION

FIG. 1 is a front elevational view of a speaker showing my new design;
FIG. 2 is a rear elevational view thereof;
FIG. 3 is a left side view thereof;
FIG. 4 is a right side view thereof;
FIG. 5 is a top plan view thereof;
FIG. 6 is a bottom plan view thereof;
FIG. 7 is a top perspective view thereof;
FIG. 8 is a bottom perspective view thereof;
FIG. 9 is a partially enlarged front elevational view thereof, taken from FIG. 1; and,
FIG. 10 is a partially enlarged front perspective view thereof, taken from FIG. 7.
The dot-dash broken lines of FIGS. 1, 7, 9 and 10 are included to show partially enlarged views only and form no part of the claimed design.

1 Claim, 10 Drawing Sheets



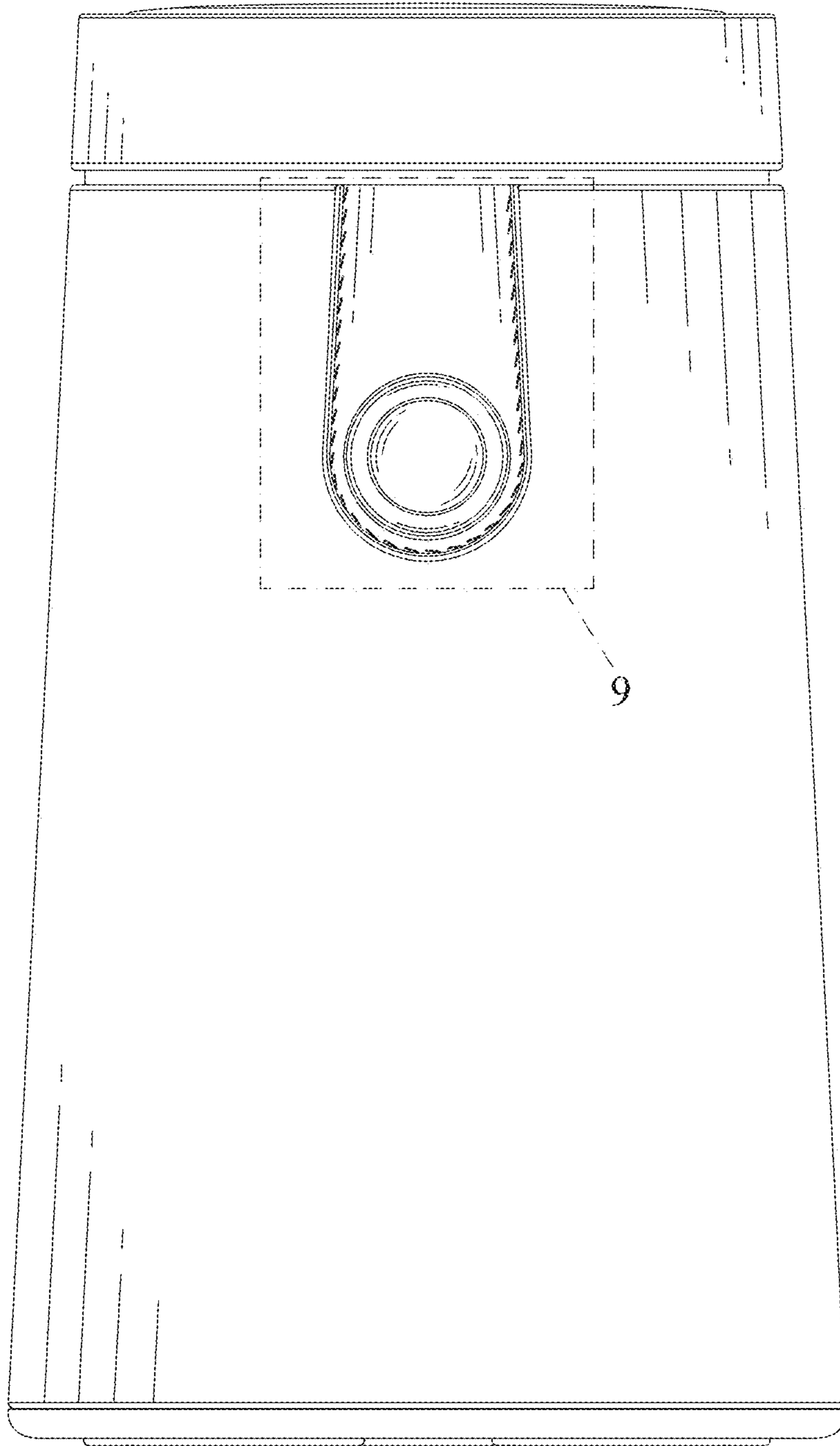


Fig. 1

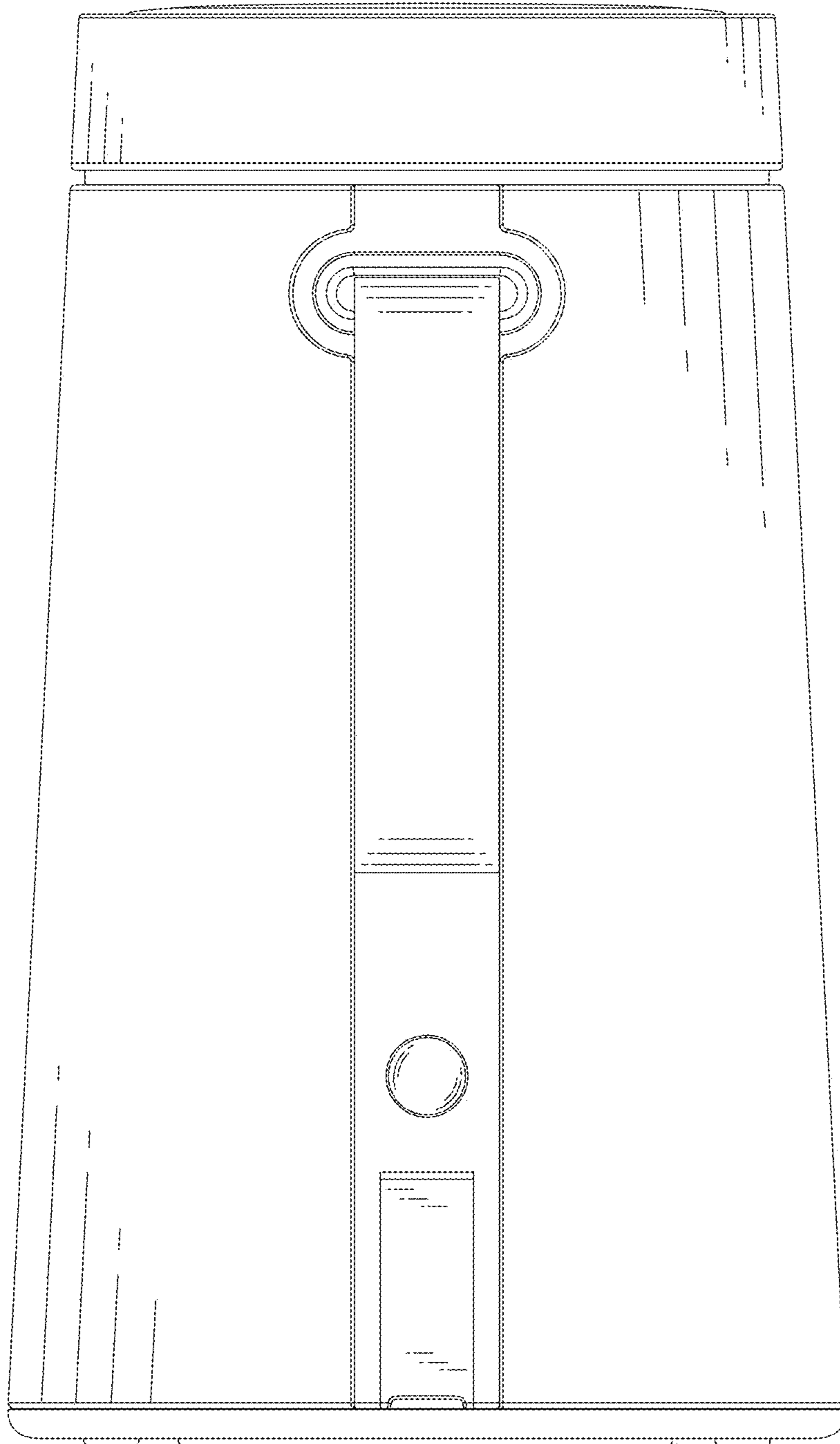


Fig. 2

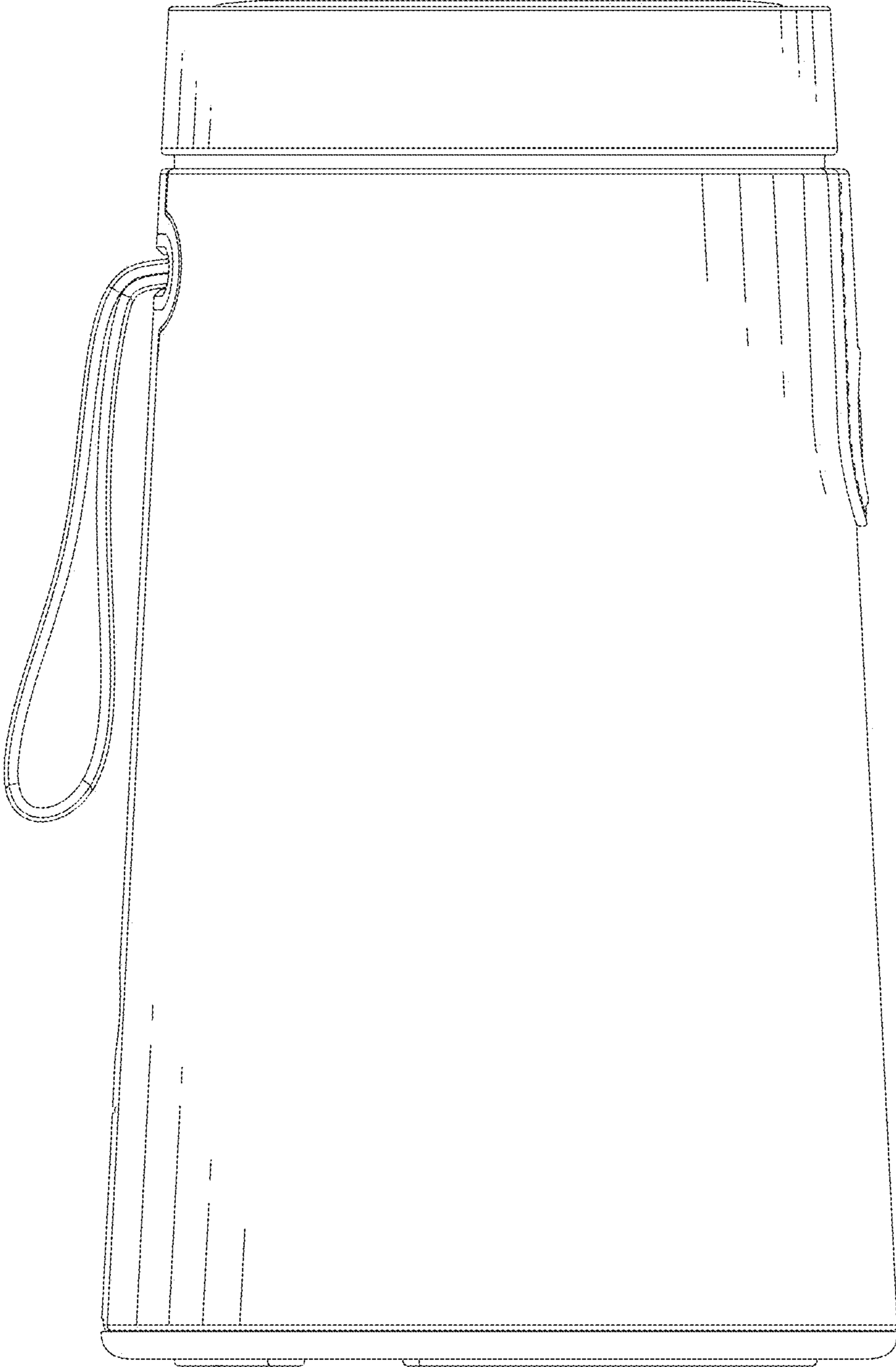


Fig.3

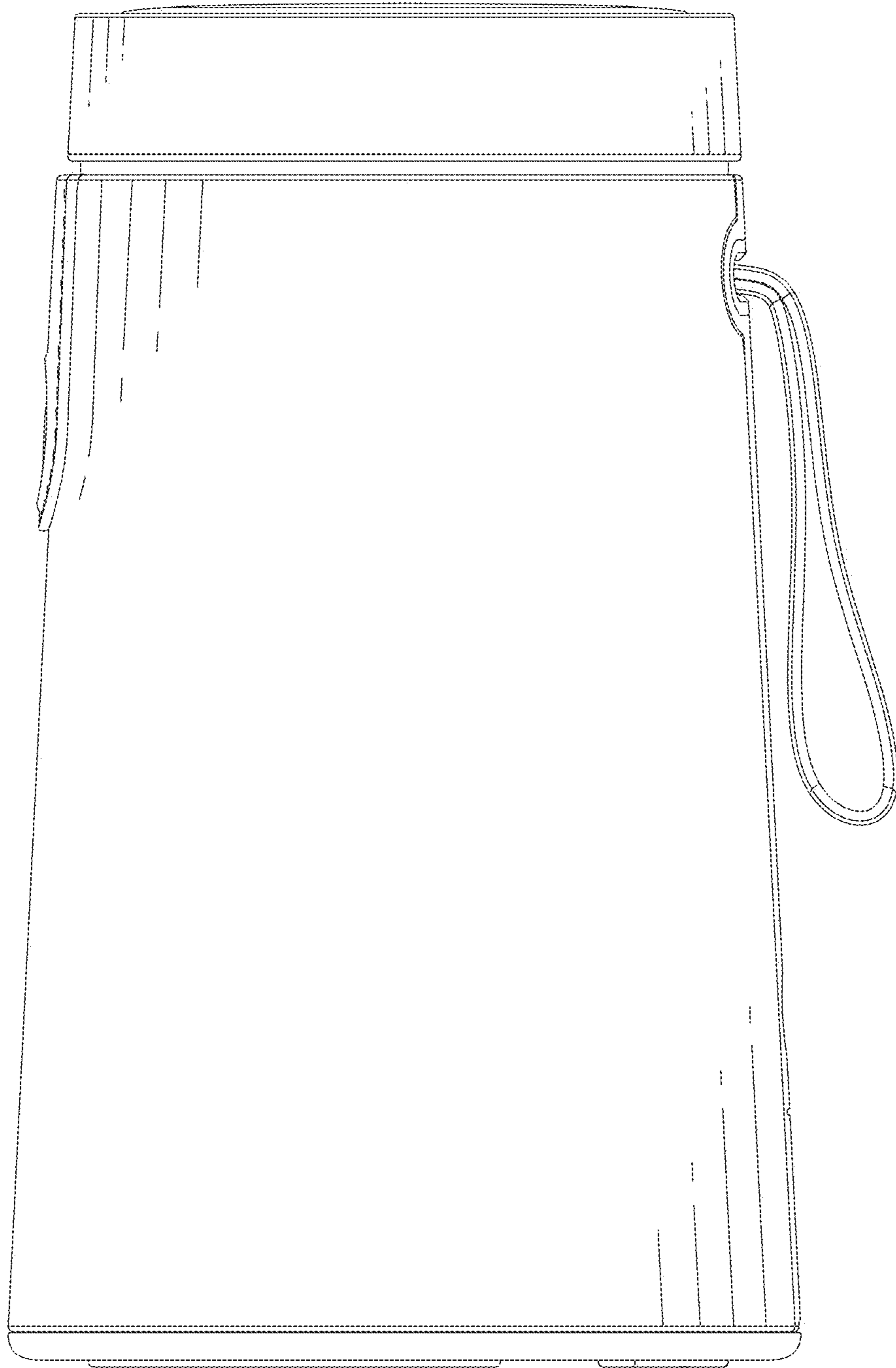


Fig. 4

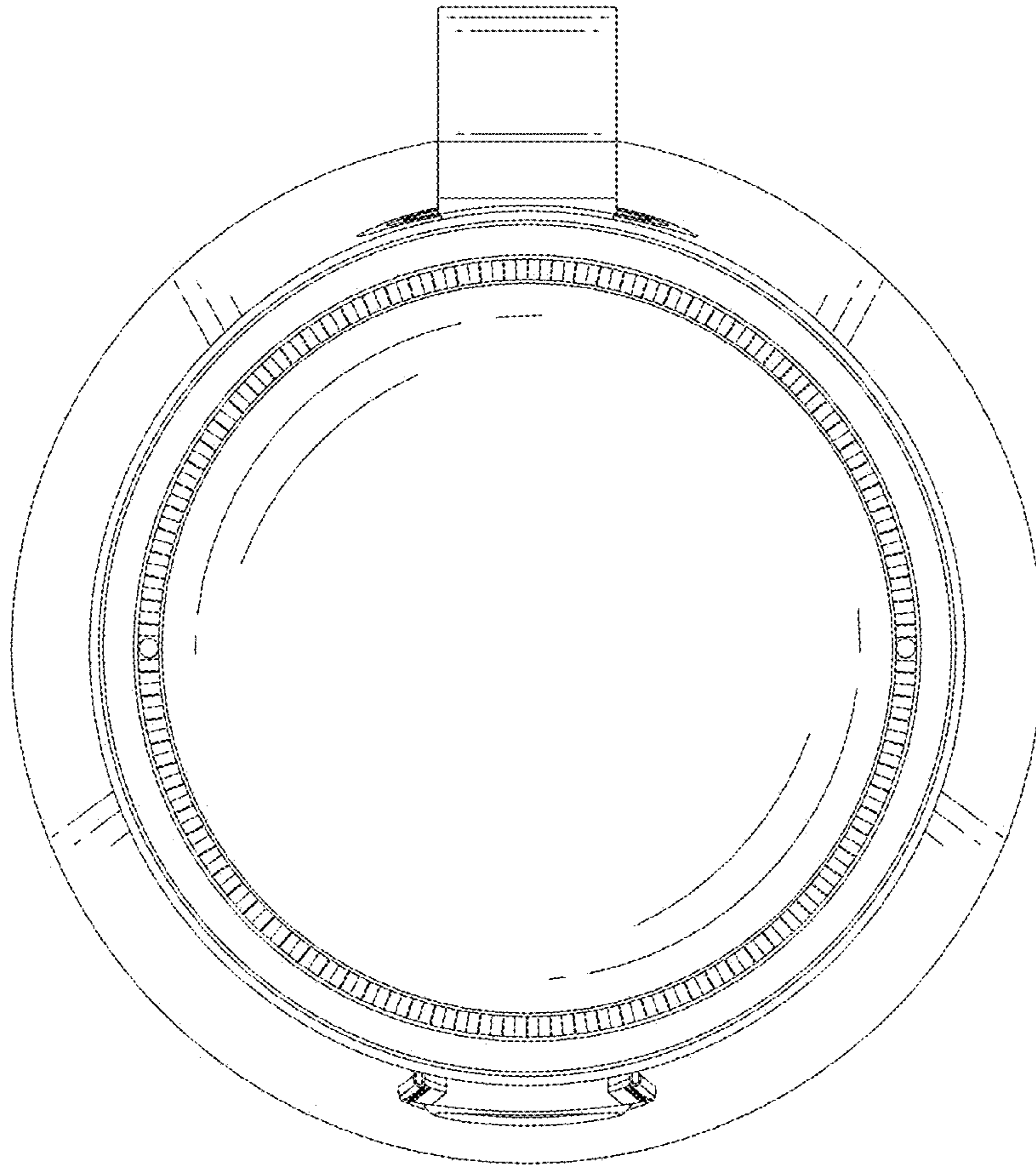


Fig.5

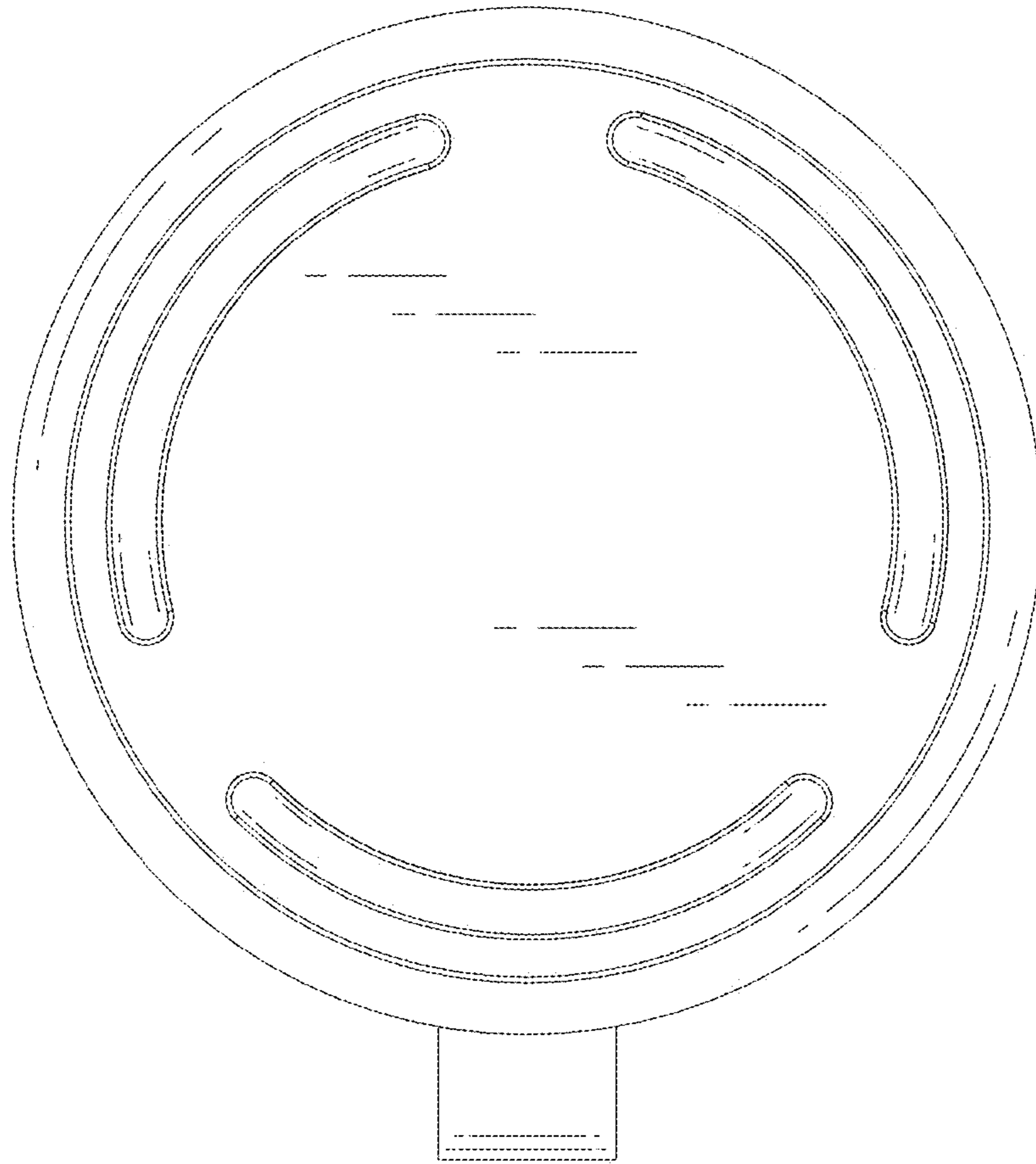


Fig. 6

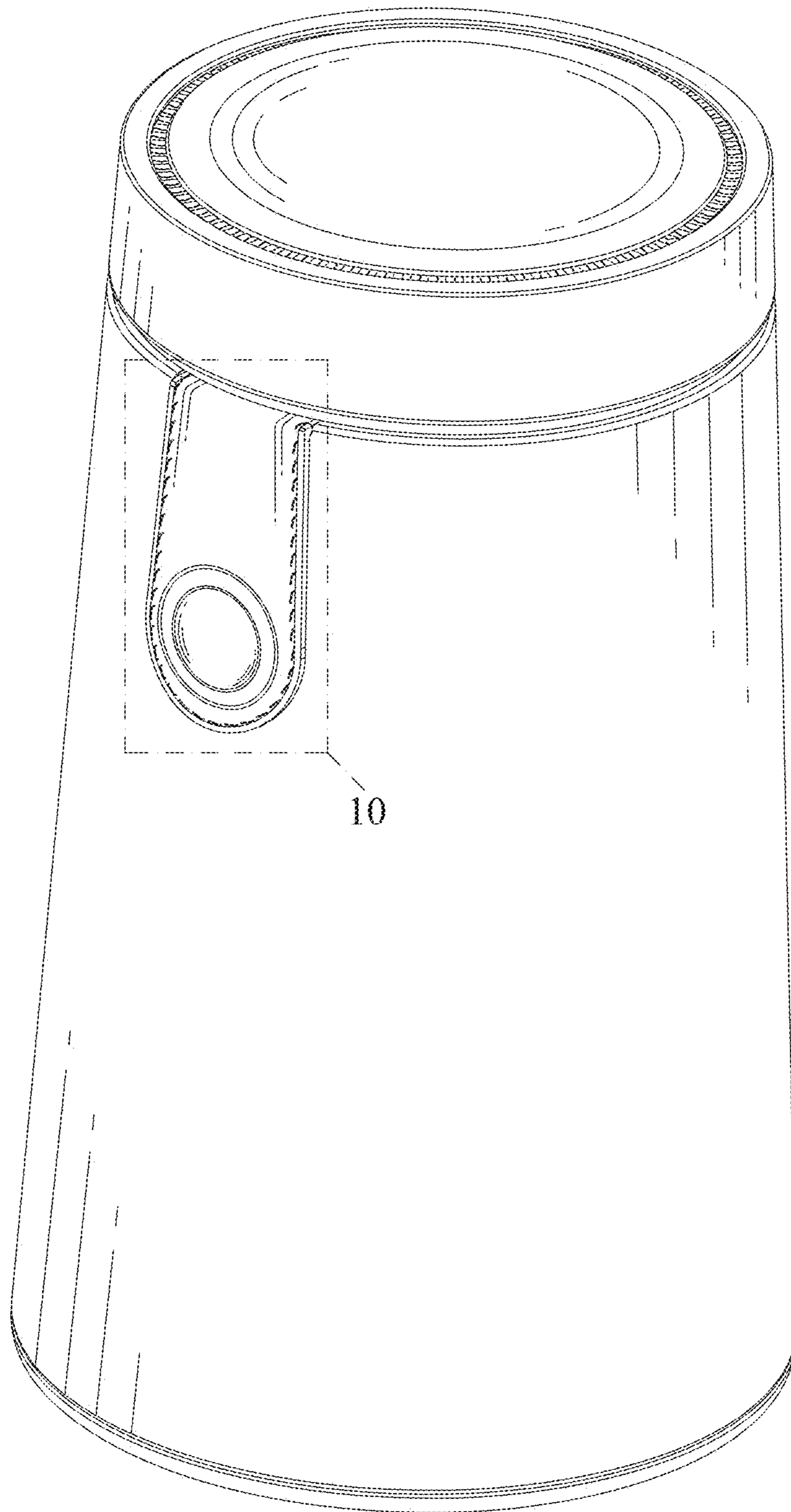


Fig. 7

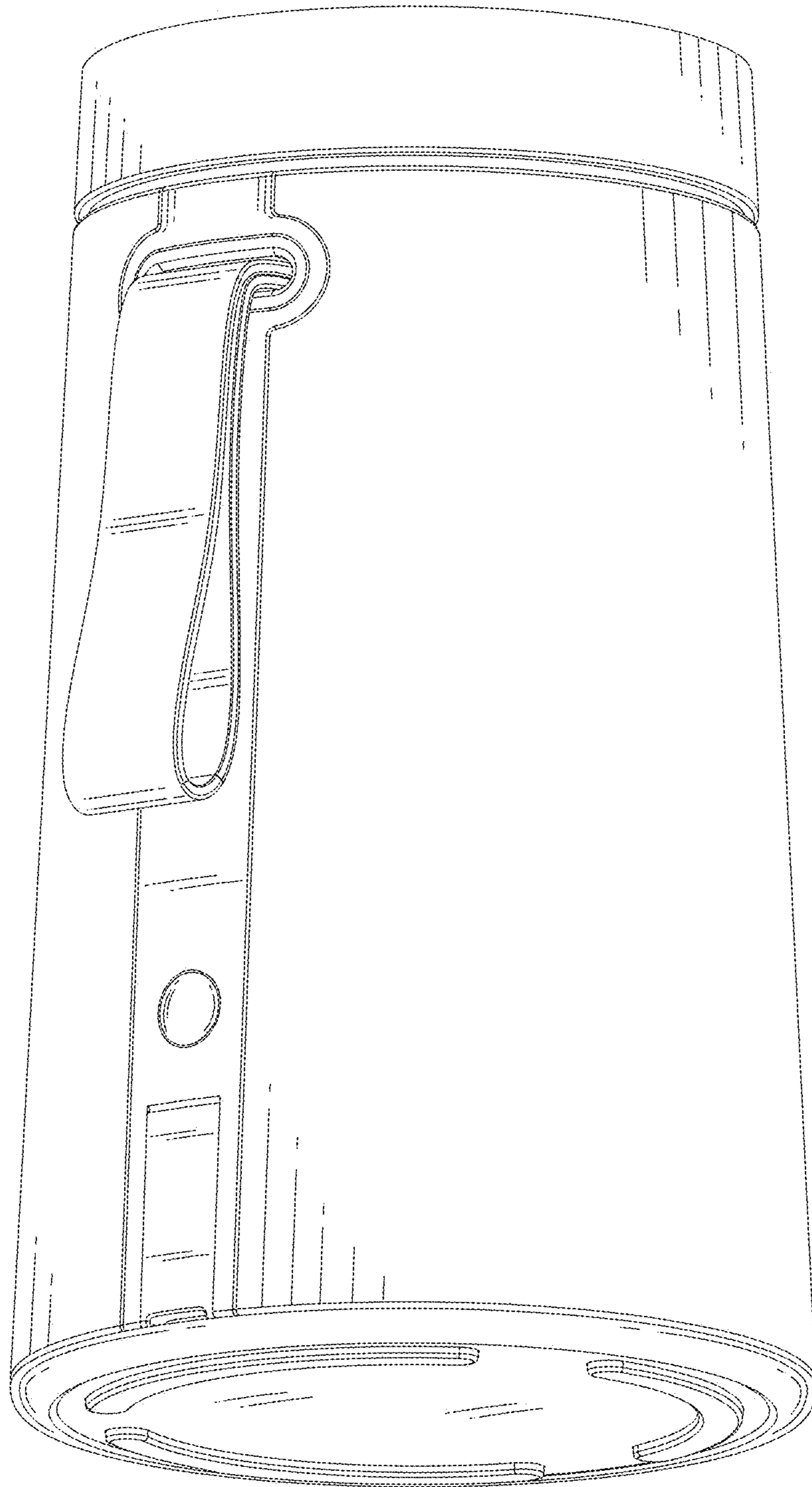


Fig. 8

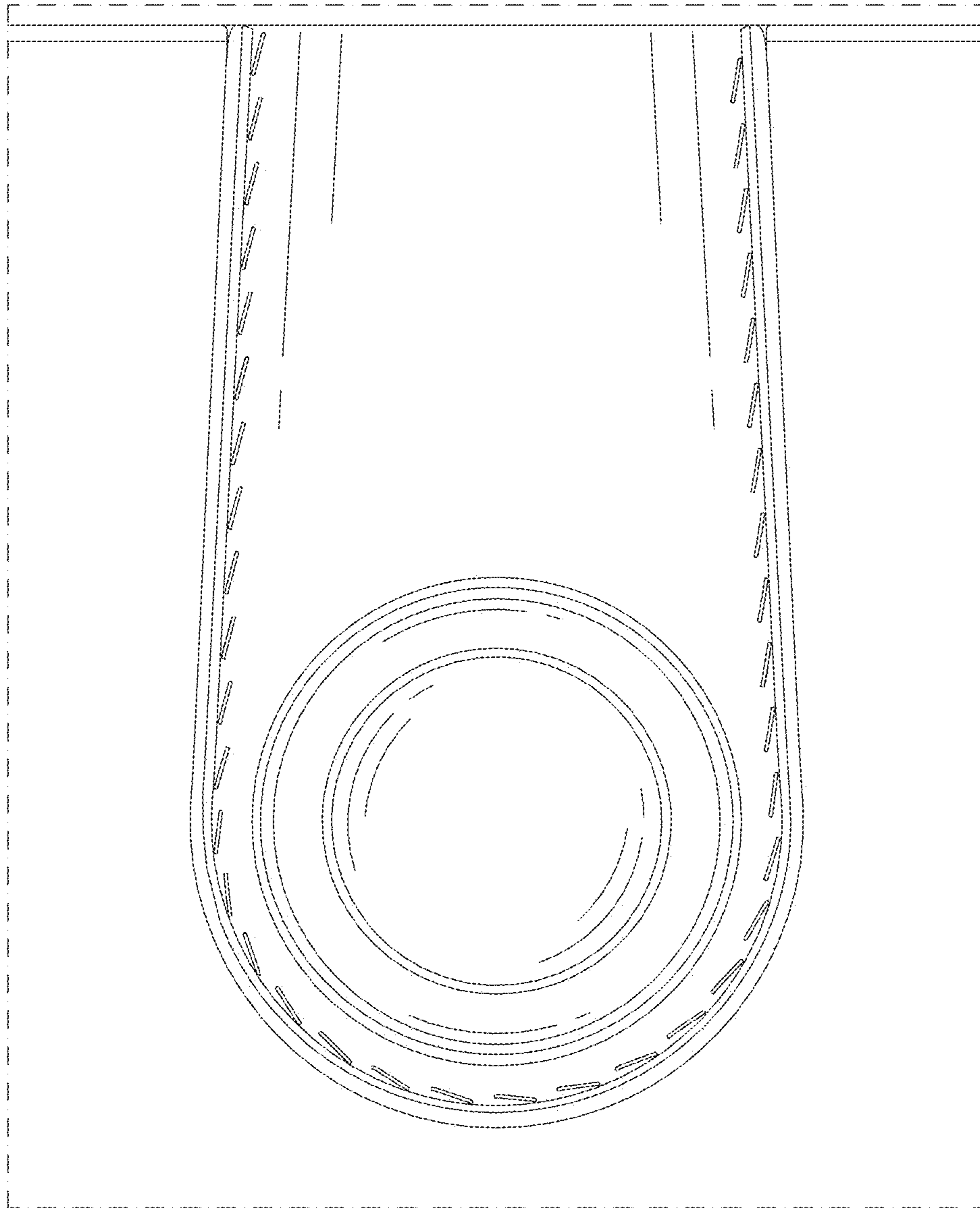


Fig. 9

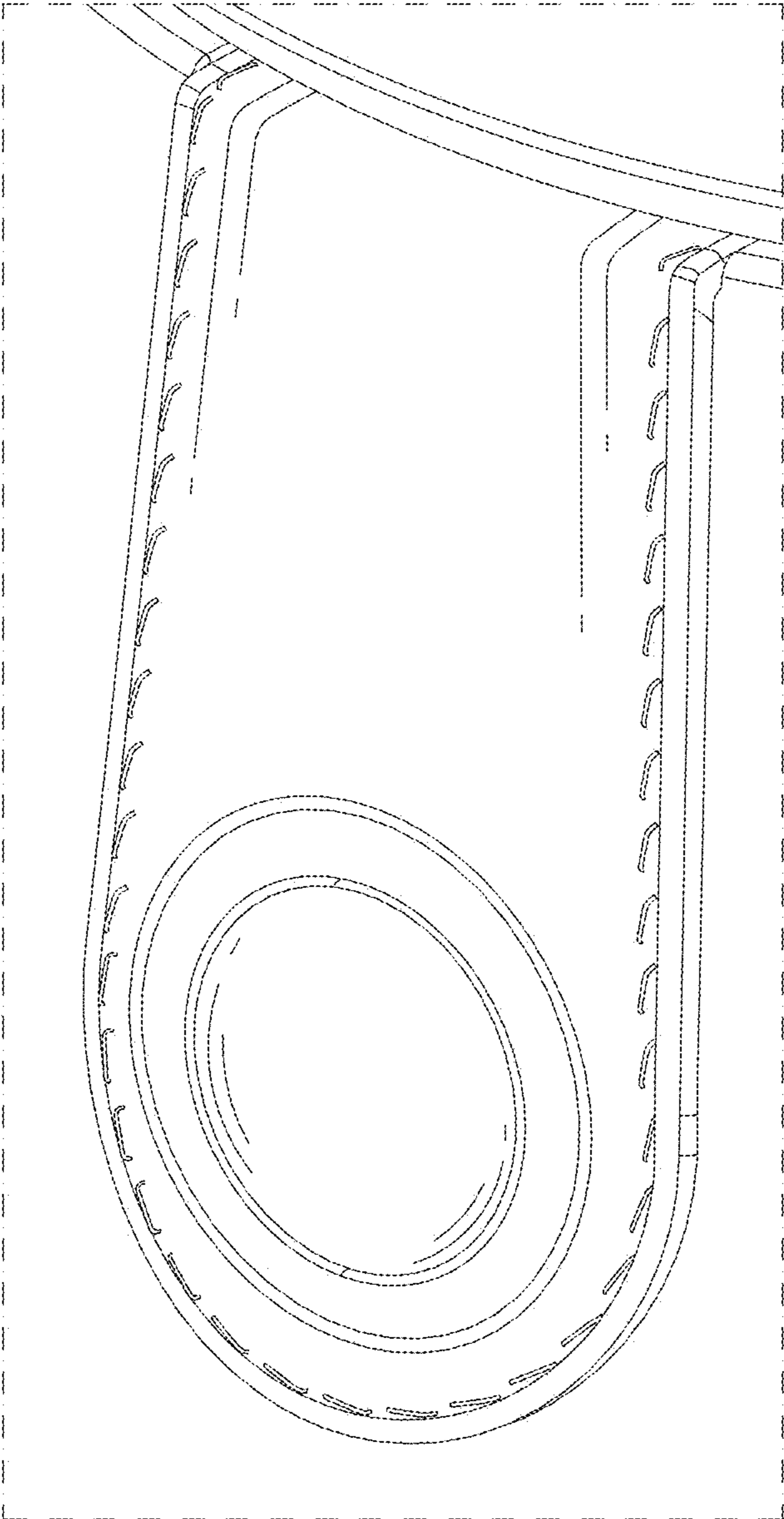


Fig. 10