



US00D886773S

(12) **United States Design Patent**
Zheng et al.

(10) **Patent No.:** **US D886,773 S**

(45) **Date of Patent:** **** Jun. 9, 2020**

(54) **BLUETOOTH AUDIO**

(71) Applicant: **Huijun Lin**, Linhai (CN)

(72) Inventors: **Zhiming Zheng**, Linhai (CN); **Huijun Lin**, Linhai (CN)

(73) Assignee: **Huijun Lin**, Linhai (CN)

(**) Term: **15 Years**

(21) Appl. No.: **29/634,798**

(22) Filed: **Jan. 24, 2018**

(30) **Foreign Application Priority Data**

Jan. 18, 2018 (CN) 2018 3 0022717

(51) **LOC (12) Cl.** **14-01**

(52) **U.S. Cl.**
USPC **D14/204**

(58) **Field of Classification Search**
USPC D14/167, 188, 204, 209.1, 210–215, 348,
D14/352, 498–505; 181/143, 144, 148,
181/153, 157, 198, 199; 369/6–12;
381/300–303, 361–364, 366, 386–388
CPC H04R 1/02; H04R 1/021; H04R 1/023;
H04R 5/00; H04R 9/06; H04R 2420/07
See application file for complete search history.

(56) **References Cited**

U.S. PATENT DOCUMENTS

D349,499 S * 8/1994 Collins D14/216
D438,195 S * 2/2001 Chao D14/222

D521,983 S * 5/2006 Kuo D14/216
D585,898 S * 2/2009 Skurdal D14/434
D591,269 S * 4/2009 Kim D14/216
D645,843 S * 9/2011 Bolton D14/209.1
D671,528 S * 11/2012 Fathollahi D14/211
D710,329 S * 8/2014 Holzer D14/216
D752,014 S * 3/2016 Bolmstrand D14/204
D757,014 S * 5/2016 Hahn D13/108
D766,844 S * 9/2016 Turksu D10/104.1

* cited by examiner

Primary Examiner — Janice Patyk

(74) *Attorney, Agent, or Firm* — Wayne & Ken, LLC;
Tony Hom

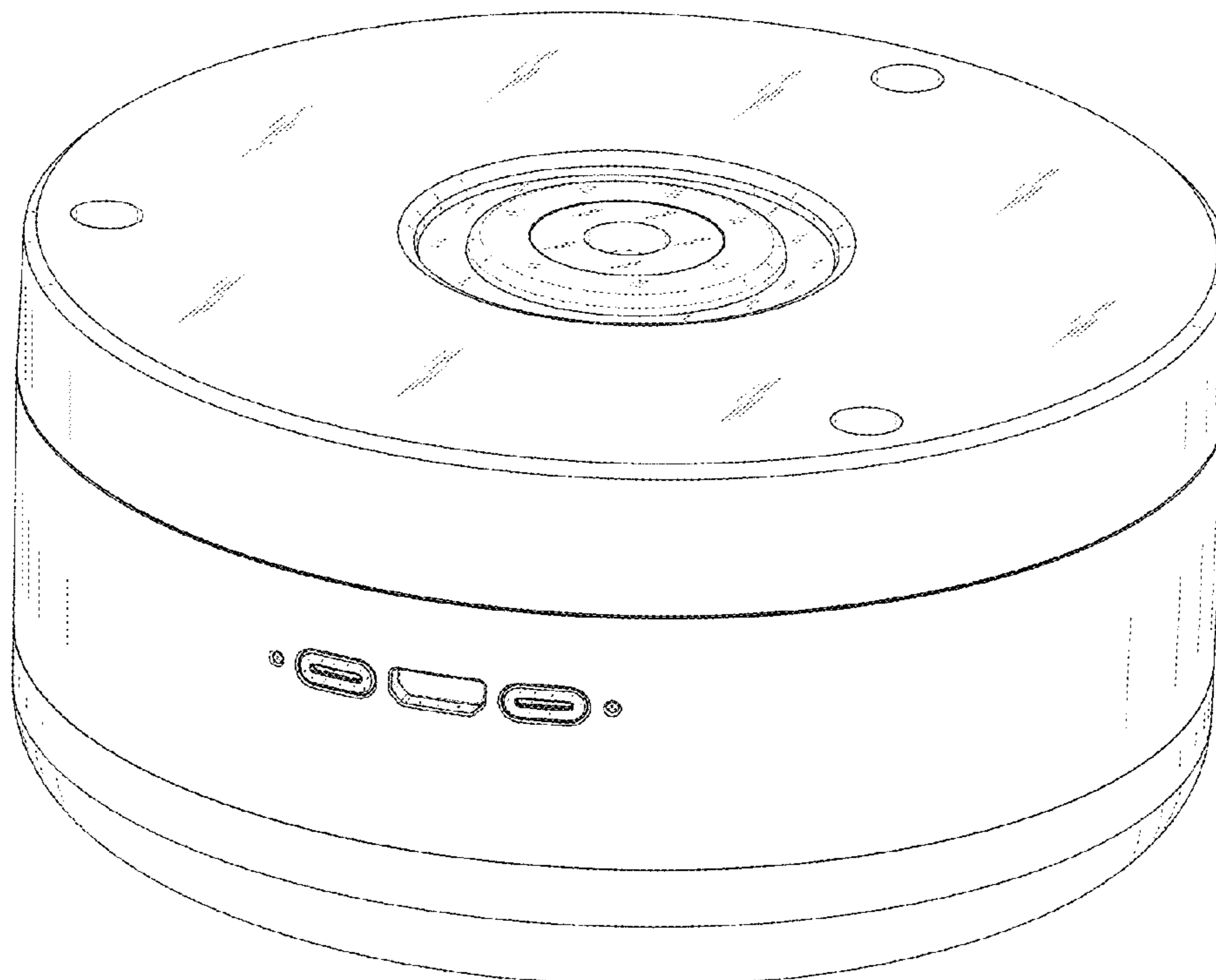
(57) **CLAIM**

The ornamental design for a bluetooth audio, as shown and described.

DESCRIPTION

FIG. 1 is a front view of a bluetooth audio showing my new design;
FIG. 2 is a back view thereof;
FIG. 3 is a right side view thereof;
FIG. 4 is a left side view thereof;
FIG. 5 is a top view thereof;
FIG. 6 is a bottom view thereof; and,
FIG. 7 is a perspective view thereof.
The broken lines in the figures illustrate the portions of the design that form no part of the claimed design.

1 Claim, 7 Drawing Sheets



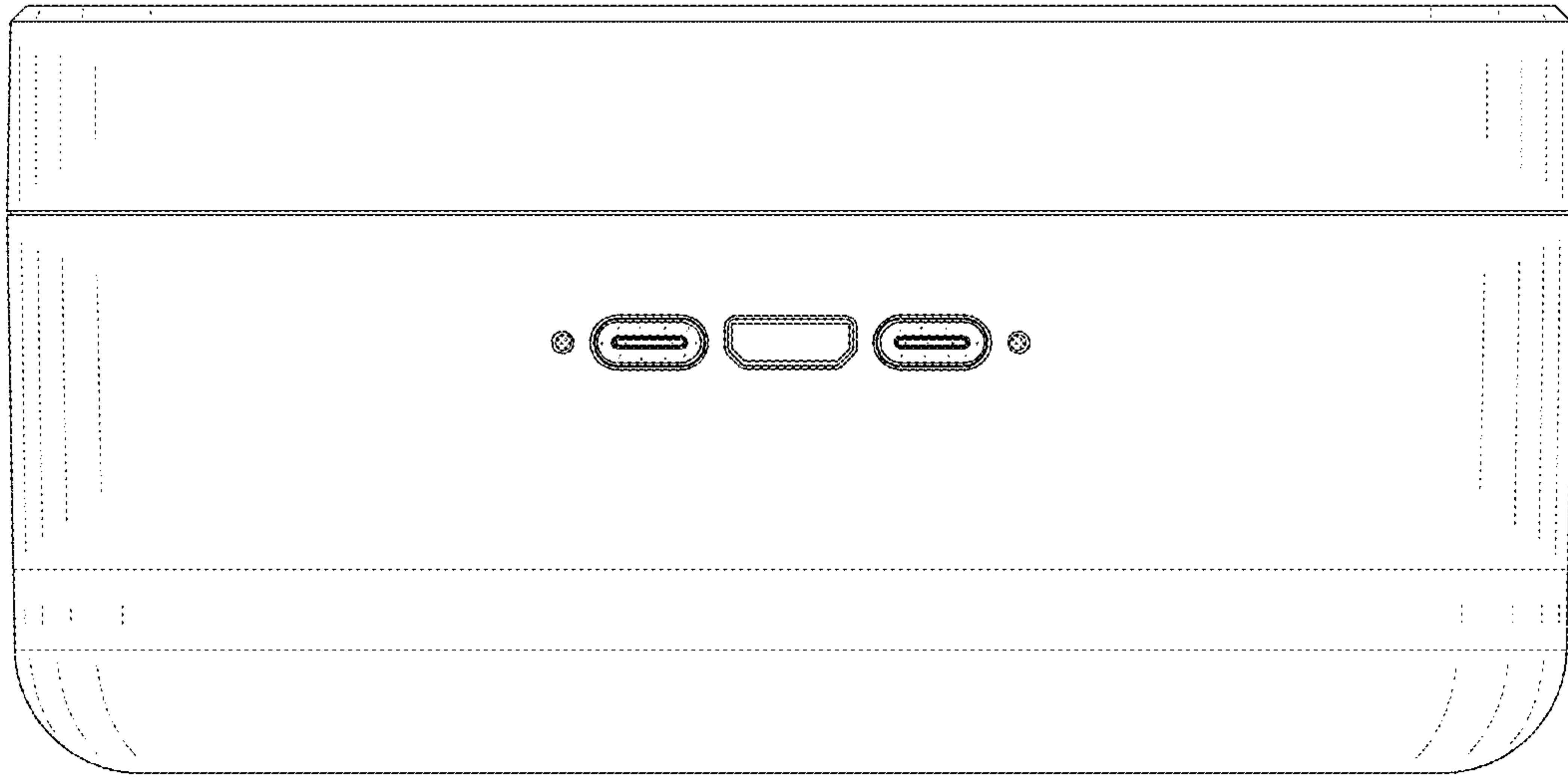


FIG. 1

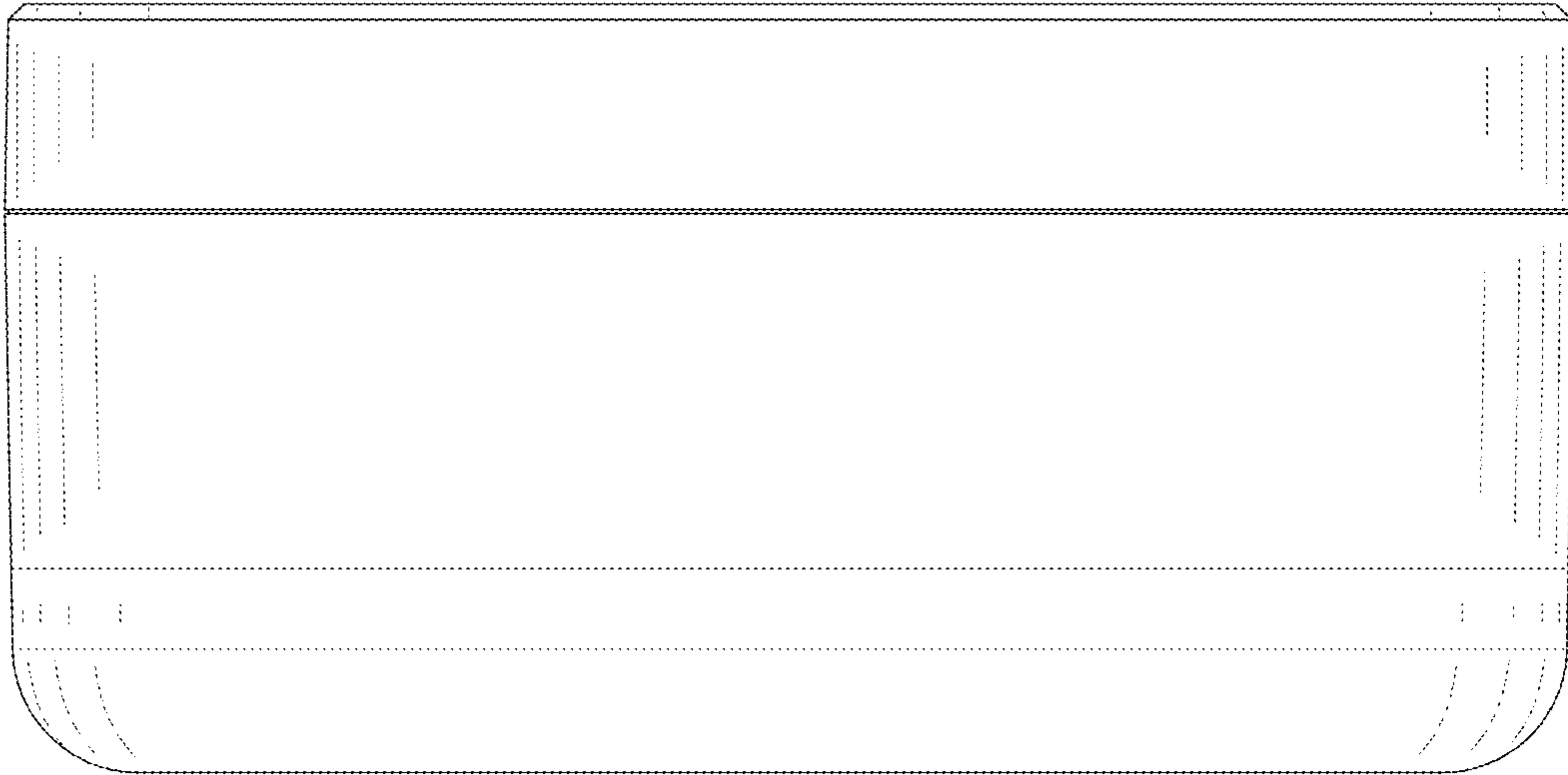


FIG. 2

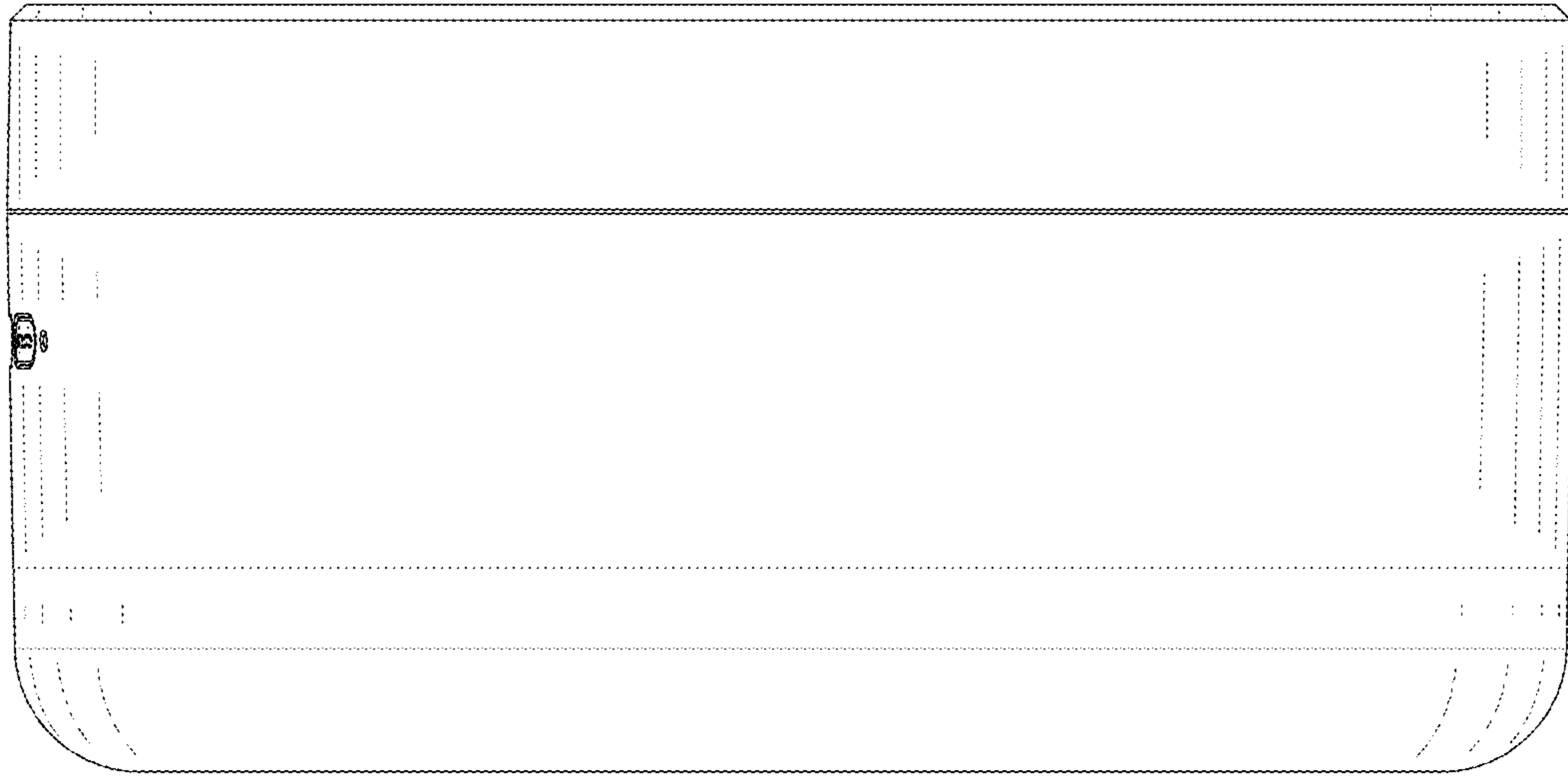


FIG. 3

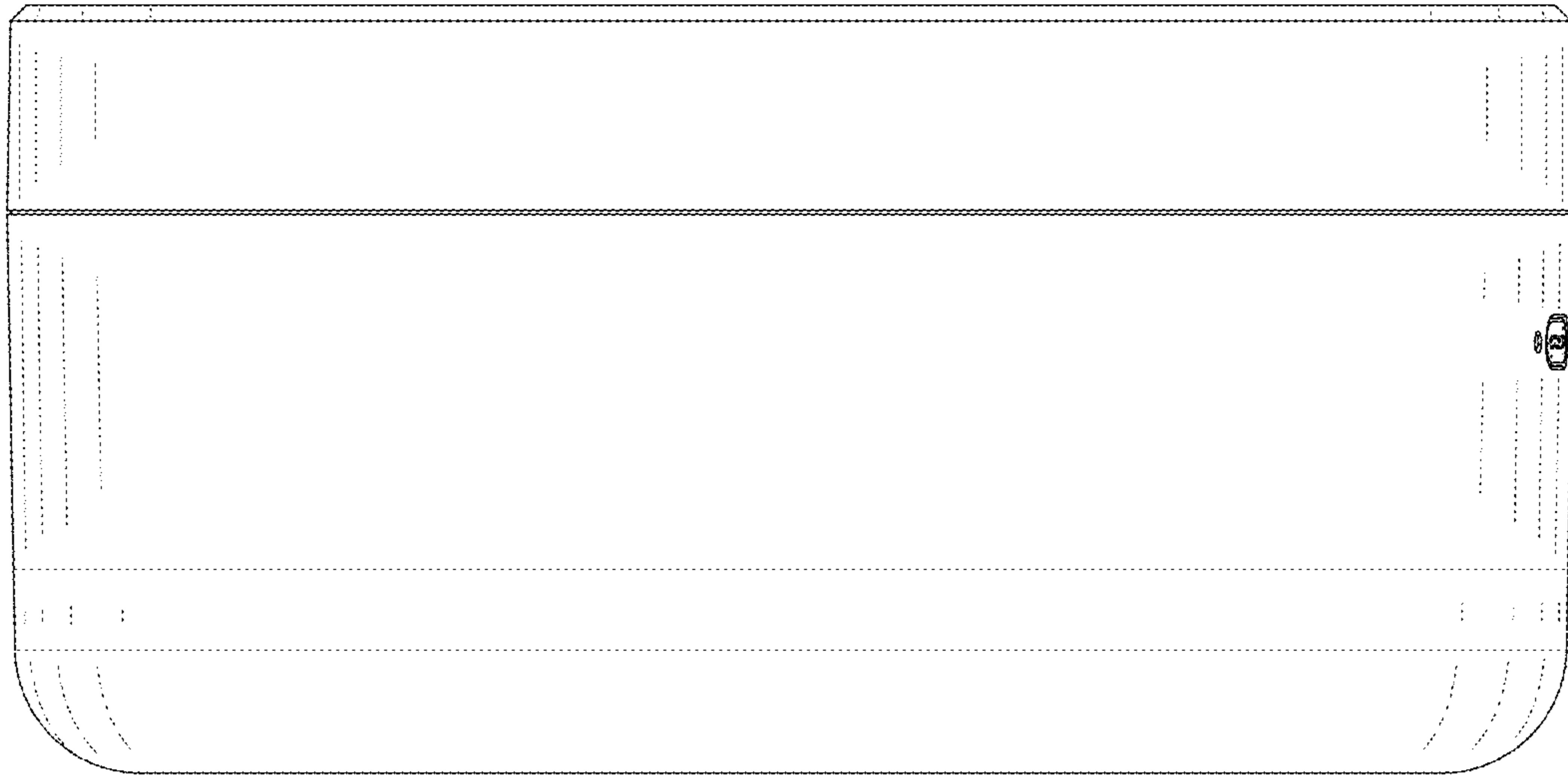


FIG. 4

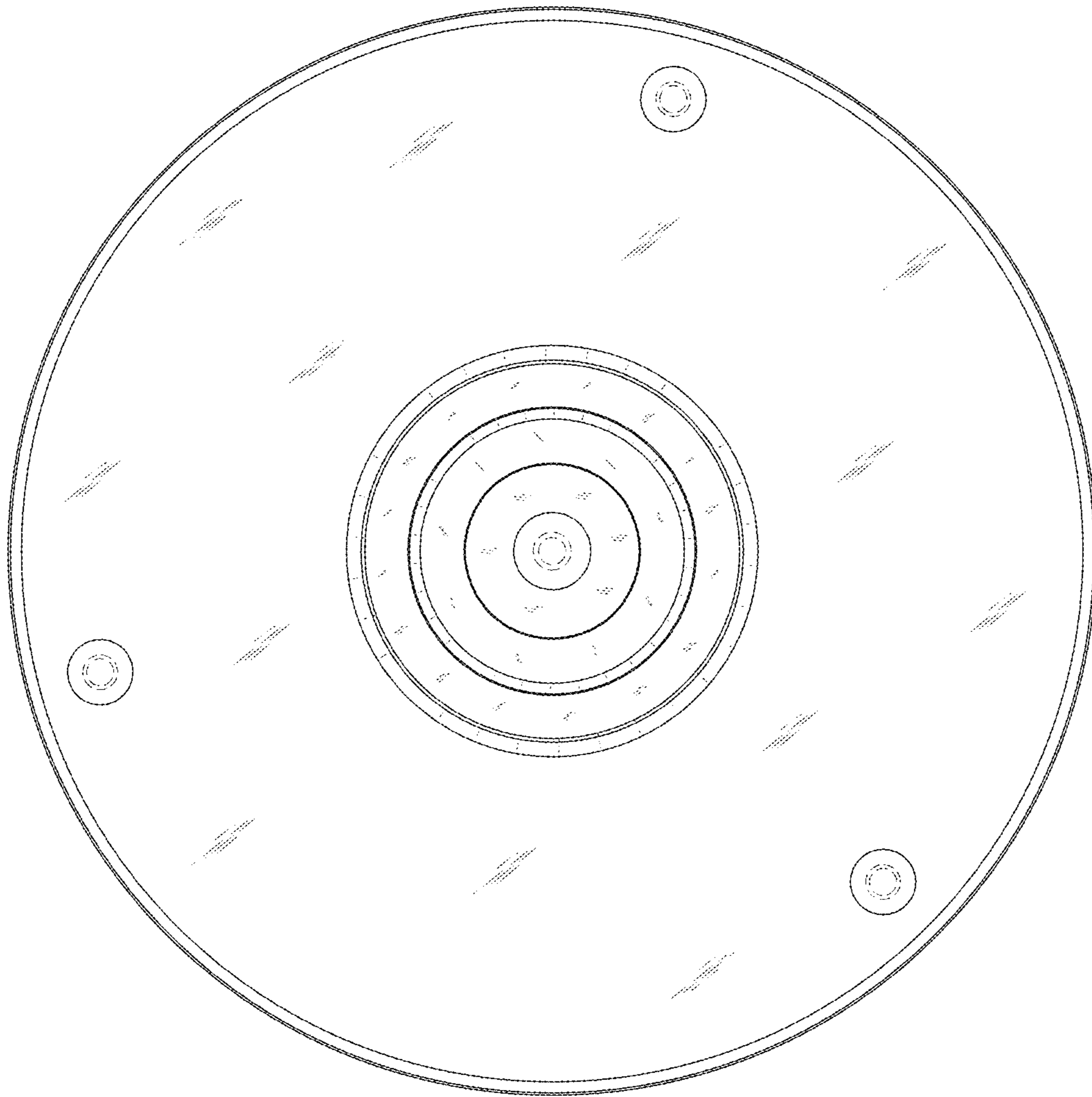


FIG. 5

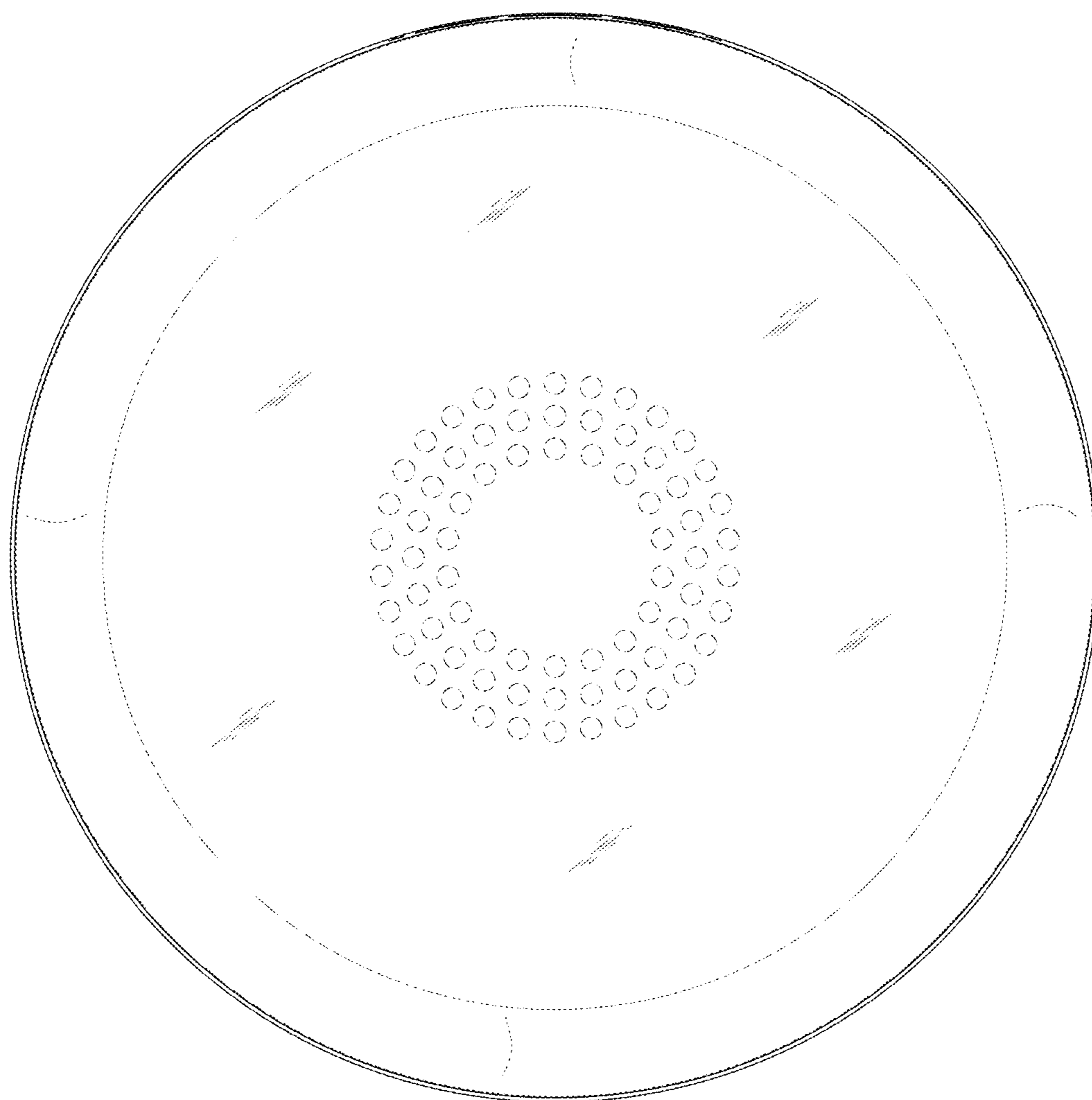


FIG. 6

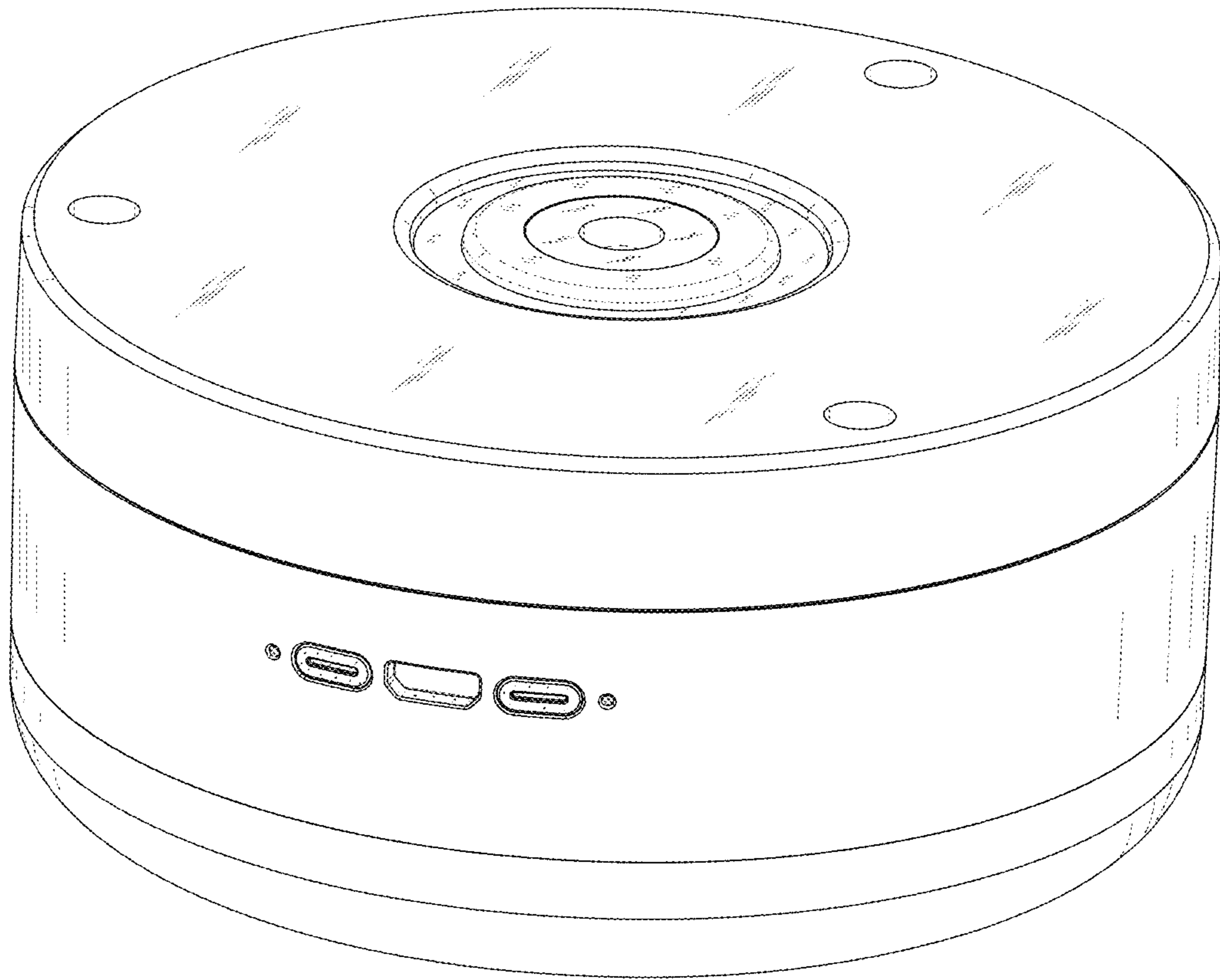


FIG. 7