



US00D886771S

(12) **United States Design Patent** (10) **Patent No.:** **US D886,771 S**  
**Naddei** (45) **Date of Patent:** **\*\* Jun. 9, 2020**

(54) **PORTABLE LOUDSPEAKER**

(71) Applicant: **RCF S.P.A.**, Reggio Emilia (RE) (IT)  
(72) Inventor: **Lorenzo Naddei**, Forlì (IT)  
(73) Assignee: **RCF S.P.A.**, Reggio Emilia (IT)  
(\*\*) Term: **15 Years**

(21) Appl. No.: **29/629,782**

(22) Filed: **Dec. 15, 2017**

(30) **Foreign Application Priority Data**

Dec. 12, 2017 (EM) ..... 004544088

(51) **LOC (12) Cl.** ..... **14-01**

(52) **U.S. Cl.**  
USPC ..... **D14/204**

(58) **Field of Classification Search**

USPC ..... D14/188, 203.1, 203.3, 204, 210–216,  
D14/219, 221, 356, 363, 365–368, 496;  
181/143, 144, 148, 153, 157, 198, 199;  
369/6–12; 381/300–303, 361–364,  
381/386–388

CPC ..... H04R 1/02; H04R 1/021; H04R 1/023;  
H04R 5/00; H04R 9/06; H04R 2420/07

See application file for complete search history.

(56) **References Cited**

**U.S. PATENT DOCUMENTS**

D392,976 S \* 3/1998 Fenner ..... D14/211  
D492,281 S \* 6/2004 Hakoda ..... D14/211  
D522,492 S \* 6/2006 Carbone ..... D14/211  
D525,615 S \* 7/2006 Tanaka ..... D14/211  
D568,292 S \* 5/2008 Tsuge ..... D14/211  
D578,103 S \* 10/2008 Matsuoka ..... D14/211  
D596,157 S \* 7/2009 Warden ..... D14/211  
D640,667 S \* 6/2011 Lee ..... D14/211

**OTHER PUBLICATIONS**

RCF S.P.A., “Evox Two-Way Array System”, Screenshot from Wayback Machine, Aug. 15, 2014, 1 page.  
Bose Corporation, “L1 Compact, Portable Line Array System, Owner’s Guide”, 2009, 3 pages.  
JBL Professional, “Eon One Pro”, dated at least as early as Mar. 26, 2018, 2 pages.

(Continued)

*Primary Examiner* — Janice Patyk

(74) *Attorney, Agent, or Firm* — Pearne & Gordon LLP

(57) **CLAIM**

The ornamental design for a portable loudspeaker, as shown and described.

**DESCRIPTION**

FIG. 1 is a front, left side, top perspective view of a first embodiment of a portable loudspeaker, showing my new design;

FIG. 2 is a front view thereof;

FIG. 3 is a top view thereof;

FIG. 4 is a bottom view thereof;

FIG. 5 is a left side view thereof;

FIG. 6 is a right side view thereof;

FIG. 7 is a back view thereof;

FIG. 8 is a front, left side, top perspective view of a second embodiment of a portable loudspeaker, showing my new design;

FIG. 9 is a front view thereof;

FIG. 10 is a top view thereof;

FIG. 11 is a bottom view thereof;

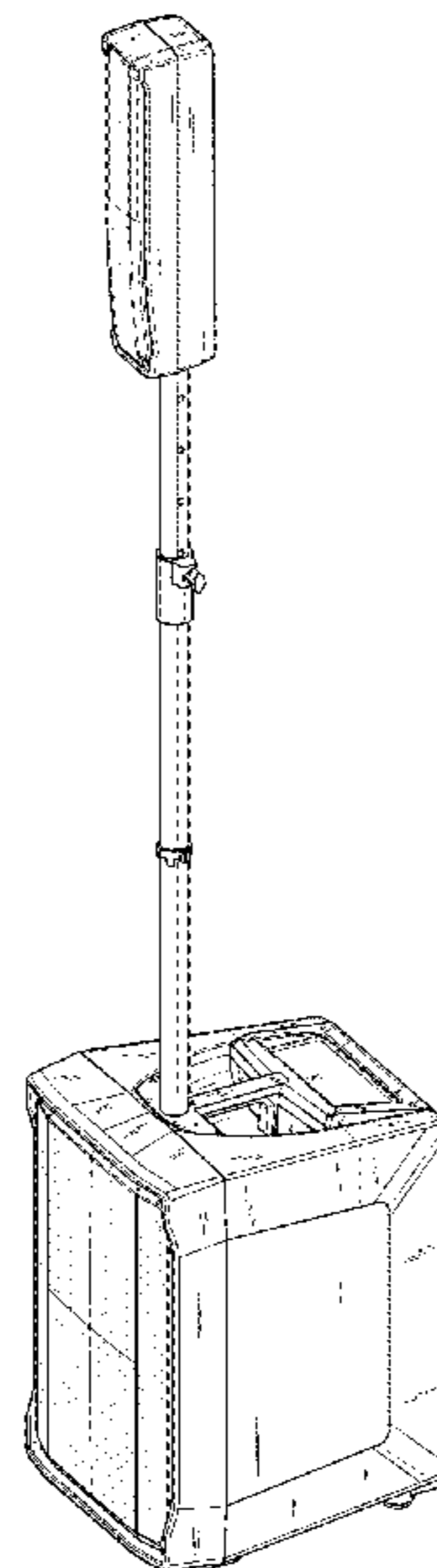
FIG. 12 is a left side view thereof;

FIG. 13 is a right side view thereof; and,

FIG. 14 is a back view thereof.

The broken lines in the figures illustrate the portions of the design that form no part of the claimed design.

**1 Claim, 6 Drawing Sheets**





(56)

**References Cited**

## OTHER PUBLICATIONS

Peavey, "P2 Powered Line Array System", dated at least as early as Mar. 26, 2018, 1 page.

LD Systems, "User's Manual, CURV 500", dated at least as early as Mar. 26, 2018, 4 pages.

LD Systems, "User's Manual, All in One Array System", dated at least as early as Mar. 26, 2018, 4 Pages.

Bosch Sicherheitssysteme GmbH, EV Electro-Voice, Evolve 50 Portable Column System, dated at least as early as Mar. 26, 2018, 6 pages.

Music & Sales P.E. GmbH, "Lucas Nano 300, Application Guide", 2013, 8 pages.

Sam Ash Quikship Corp., "D.A.S. Audio Event 208a/Action 118a Pole Mounted Speaker Package", 2016, 3 pages.

K-Array SURL, "Concert Series", dated at least as early as Mar. 26, 2018, 3 pages.

ADJ Products, LLC, "STK-106W", dated at least as early as Mar. 26, 2018, 3 pages.

Blast King, "12" Portable All-In-One PA System 1200 Watts-PLA12", dated at least as early as Mar. 26, 2018, 2 pages.

RCF S.P.A., "Evox Series Two-Way Arrays", product advertisement, dated at least as early as Jul. 31, 2015, 1 page.

RCF S.P.A., "Evox" product catalogue, dated at least as early as Dec. 31, 2014, 6 pages.

RCF S.P.A., Newsletter, "EVOX Two-Way Array System", I-News: RCF presents EVOX: Two-Way Array System, Jul. 2014, 11 pages.

RCF S.P.A., "RCF to launch EVOX portable live sound columns in Frankfurt", press release, Mar. 2014, Frankfurt, 3 pages.

RCF S.P.A., "EVOX 8 Active Two-Way Array", Screenshot, Aug. 2014, 1 page.

RCF S.P.A., EVOX 8 speaker system, front view, dated at least as early as Aug. 31, 2014, 1 page.

RCF S.P.A., EVOX 8 speaker system, front, right and partial top view, dated at least as early as Aug. 31, 2014, 1 page.

RCF S.P.A., EVOX 8 speaker system, front, left and partial top view, dated at least as early as Aug. 31, 2014, 1 page.

RCF S.P.A., EVOX 8 speaker system, back view, dated at least as early as Aug. 31, 2014, 1 page.

RCF S.P.A., EVOX 8 top speaker, close-up front view, dated at least as early as Aug. 31, 2014, 1 page.

RCF S.P.A., EVOX 8 top speaker, close-up front and right side view, dated at least as early as Aug. 31, 2014, 1 page.

RCF S.P.A., EVOX 8 top speaker, close-up front and left side view, dated at least as early as Aug. 31, 2014, 1 page.

RCF S.P.A., EVOX 8 top speaker, close-up back view, dated at least as early as Aug. 31, 2014, 1 page.

RCF S.P.A., EVOX 8 top speaker, close-up front view with outer covering removed, dated at least as early as Aug. 31, 2014, 1 page.

RCF S.P.A., EVOX 8 bottom speaker, close-up front view, dated at least as early as Aug. 31, 2014, 1 page.

RCF S.P.A., EVOX 8 bottom speaker, close-up front and right side view, dated at least as early as Aug. 31, 2014, 1 page.

RCF S.P.A., EVOX 8 bottom speaker, close-up front and left side view, dated at least as early as Aug. 31, 2014, 1 page.

RCF S.P.A., EVOX 8 bottom speaker, close-up back view, dated at least as early as Aug. 31, 2014, 1 page.

RCF S.P.A., EVOX 8 bottom speaker, close-up front view with outer covering removed, dated at least as early as Aug. 31, 2014, 1 page.

RCF S.P.A., EVOX 8 speaker system components, dated at least as early as Aug. 31, 2014, 1 page.

RCF S.P.A., EVOX 8 speaker system with top speaker partially housed in bottom speaker, right side and back view, dated at least as early as Aug. 31, 2014, 1 page.

RCF S.P.A., EVOX 8 speaker system with top speaker fully housed in bottom speaker, right side and back view, dated at least as early as Aug. 31, 2014, 1 page.

RCF S.P.A., EVOX 8 speaker system portion, close-up, showing connection between top and bottom speakers with top speaker fully housed in bottom speaker, dated at least as early as Aug. 31, 2014, 1 page.

RCF S.P.A., EVOX 8 top speaker, top and front view, dated at least as early as Aug. 31, 2014, 1 page.

RCF S.P.A., EVOX 8 top speaker, bottom and front view, dated at least as early as Aug. 31, 2014, 1 page.

RCF S.P.A., EVOX 8 top speaker, left side view, dated at least as early as Aug. 31, 2014, 1 page.

RCF S.P.A., EVOX 8 top speaker, back side and bottom view, dated at least as early as Aug. 31, 2014, 1 page.

RCF S.P.A., EVOX 8 top speaker, front and bottom view, dated at least as early as Aug. 31, 2014, 1 page.

RCF S.P.A., EVOX 8 bottom speaker, top and front view, dated at least as early as Aug. 31, 2014, 1 page.

RCF S.P.A., EVOX 8 bottom speaker, bottom and front view, dated at least as early as Aug. 31, 2014, 1 page.

RCF S.P.A., EVOX 5 speaker system, front view, dated at least as early as Aug. 31, 2014, 1 page.

RCF S.P.A., EVOX 5 speaker system, front and partial top view of bottom speaker, dated at least as early as Aug. 31, 2014, 1 page.

RCF S.P.A., EVOX 5 speaker system, front, right and partial top view, dated at least as early as Aug. 31, 2014, 1 page.

RCF S.P.A., EVOX 5 speaker system, front, left and partial top view, dated at least as early as Aug. 31, 2014, 1 page.

RCF S.P.A., EVOX 5 speaker system components, dated at least as early as Aug. 31, 2014, 1 page.

RCF S.P.A., EVOX 5 bottom speaker, close-up front view, dated at least as early as Aug. 31, 2014, 1 page.

RCF S.P.A., EVOX 5 bottom speaker, close-up front and right side view, dated at least as early as Aug. 31, 2014, 1 page.

RCF S.P.A., EVOX 5 bottom speaker, close-up front and left side view, dated at least as early as Aug. 31, 2014, 1 page.

RCF S.P.A., EVOX 5 bottom speaker, close-up back view, dated at least as early as Aug. 31, 2014, 1 page.

RCF S.P.A., EVOX 5 bottom speaker, close-up front view with outer covering removed, dated at least as early as Aug. 31, 2014, 1 page.

RCF S.P.A., EVOX 5 top speaker, close-up front view, dated at least as early as Aug. 31, 2014, 1 page.

RCF S.P.A., EVOX 5 top speaker, close-up front and right side view, dated at least as early as Aug. 31, 2014, 1 page.

RCF S.P.A., EVOX 5 top speaker, close-up front and left side view, dated at least as early as Aug. 31, 2014, 1 page.

RCF S.P.A., EVOX 5 top speaker, close-up back view, dated at least as early as Aug. 31, 2014, 1 page.

RCF S.P.A., EVOX 5 top speaker, close-up front view with outer covering removed, dated at least as early as Aug. 31, 2014, 1 page.

RCF S.P.A., EVOX 5 speaker system, with top speaker partially housed in bottom speaker, close-up right side and back view, dated at least as early as Aug. 31, 2014, 1 page.

RCF S.P.A., EVOX 5 speaker system, with top speaker fully housed in bottom speaker, close-up right side and back view, dated at least as early as Aug. 31, 2014, 1 page.

RCF S.P.A., EVOX 5 top speaker, close-up partial lower front, partial lower right side and bottom view with partial post section, dated at least as early as Aug. 31, 2014, 1 page.

RCF S.P.A., EVOX 5 top speaker fully housed in bottom speaker, close-up partial back view showing connection, dated at least as early as Aug. 31, 2014, 1 page.

RCF S.P.A., EVOX 5 top speaker, top and front view, dated at least as early as Aug. 31, 2014, 1 page.

RCF S.P.A., EVOX 5 top speaker, left side view, dated at least as early as Aug. 31, 2014, 1 page.

RCF S.P.A., EVOX 5 top speaker, bottom and front view, dated at least as early as Aug. 31, 2014, 1 page.

RCF S.P.A., EVOX 5 top speaker, front view, dated at least as early as Aug. 31, 2014, 1 page.

RCF S.P.A., EVOX 5 top speaker, back view, dated at least as early as Aug. 31, 2014, 1 page.

RCF S.P.A., EVOX 5 bottom speaker, top and front view, dated at least as early as Aug. 31, 2014, 1 page.



(56)

**References Cited**

## OTHER PUBLICATIONS

RCF S.P.A., EVOX 5 bottom speaker, bottom and front view, dated at least as early as Aug. 31, 2014, 1 page.

RCF S.P.A., EVOX 12 speaker system, front view, dated at least as early as Jul. 31, 2015, 1 page.

RCF S.P.A., EVOX 12 speaker system, front, right and partial top view, dated at least as early as Jul. 31, 2015, 1 page.

RCF S.P.A., EVOX 12 top speaker, close-up front view, dated at least as early as Jul. 31, 2015, 1 page.

RCF S.P.A., EVOX 12 top speaker, close-up front and right side view, dated at least as early as Jul. 31, 2015, 1 page.

RCF S.P.A., EVOX 12 top speaker, close-up front and left side view, dated at least as early as Jul. 31, 2015, 1 page.

RCF S.P.A., EVOX 12 top speaker, close-up back view, dated at least as early as Jul. 31, 2015, 1 page.

RCF S.P.A., EVOX 12 top speaker, close-up front inside view with outside covering removed, dated at least as early as Jul. 31, 2015, 1 page.

RCF S.P.A., EVOX 12 bottom speaker, close-up front view dated at least as early as Jul. 31, 2015, 1 page.

RCF S.P.A., EVOX 12 bottom speaker, close-up front and right side view dated at least as early as Jul. 31, 2015, 1 page.

RCF S.P.A., EVOX 12 bottom speaker, close-up front and left side view dated at least as early as Jul. 31, 2015, 1 page.

RCF S.P.A., EVOX 12 bottom speaker, close-up back view dated at least as early as Jul. 31, 2015, 1 page.

RCF S.P.A., EVOX 12 bottom speaker, close-up open front view with outer covering removed, dated at least as early as Jul. 31, 2015, 1 page.

RCF S.P.A., EVOX 12 bottom speaker, close-up partial top, left side and back view including partial post and extended handle, dated at least as early as Jul. 31, 2015, 1 page.

RCF S.P.A., EVOX 12 bottom speaker, close-up partial bottom, back and left side view including left back wheel, dated at least as early as Jul. 31, 2015, 1 page.

RCF S.P.A., EVOX 12 bottom speaker, close-up partial bottom, back and right side view including left and right back wheels, dated at least as early as Jul. 31, 2015, 1 page.

RCF S.P.A., EVOX 12 bottom speaker, close-up partial top and back view including retracted handle, dated at least as early as Jul. 31, 2015, 1 page.

RCF S.P.A., EVOX 12 bottom speaker, close-up partial back view focusing on input and control features, dated at least as early as Jul. 31, 2015, 1 page.

RCF S.P.A., EVOX 12 bottom speaker, close-up partial back view focusing on input, output and control features and retracted handle, dated at least as early as Jul. 31, 2015, 1 page.

RCF S.P.A., EVOX 12 bottom speaker, close-up partial top view, dated at least as early as Jul. 31, 2015, 1 page.

RCF S.P.A., EVOX 12 bottom speaker, close-up partial back view, dated at least as early as Jul. 31, 2015, 1 page.

RCF S.P.A., EVOX 12 bottom speaker, close-up partial back view, including back right side wheel, dated at least as early as Jul. 31, 2015, 1 page.

RCF S.P.A., EVOX 12 bottom speaker, close-up partial top and back view, including handle in extended position, dated at least as early as Jul. 31, 2015, 1 page.

RCF S.P.A., EVOX 12 top speaker, close-up top and front view, dated at least as early as Jul. 31, 2015, 1 page.

RCF S.P.A., EVOX 12 top speaker, close-up bottom and front view, dated at least as early as Jul. 31, 2015, 1 page.

RCF S.P.A., EVOX 12 top speaker, close-up left side view, dated at least as early as Jul. 31, 2015, 1 page.

RCF S.P.A., EVOX 12 bottom speaker, close-up top and front view, dated at least as early as Jul. 31, 2015, 1 page.

RCF S.P.A., EVOX 12 bottom speaker, close-up bottom and front view, dated at least as early as Jul. 31, 2015, 1 page.

RCF S.P.A., EVOX 5 & 8 Two-Way-Arrays banner (smaller), dated at least as early as Aug. 31, 2014, 1 page.

RCF S.P.A., EVOX 5 & 8 Two-Way-Arrays banner (larger), dated at least as early as Aug. 31, 2014, 1 page.

RCF S.P.A., EVOX Banner-Big-Box, dated at least as early as Aug. 31, 2014, 2 pages.

RCF S.P.A., EVOX banner, dated at least as early as Aug. 31, 2014, 2 pages.

RCF S.P.A., "EVOX J System Active Two-Way Portable Array Music System", dated at least as early as Aug. 31, 2014, 1 page.

RCF S.P.A., "EVOX J System Active Two-Way Portable Array Music System", dated at least as early as Aug. 31, 2014, 1 page.

RCF S.P.A., "J8 EVOX J8 System Active Two-Way Portable Array", dated at least as early as Aug. 31, 2014, 1 page.

RCF S.P.A., EVOX Two-Way Array System, with three speaker systems, dated at least as early as Jul. 31, 2015, 1 page.

RCF S.P.A., EVOX 5 & 8 Two Way Arrays, lengthwise banner, dated at least as early as Aug. 31, 2014, 1 page.

RCF S.P.A., EVOX 12 Active Two-Way Array, dated at least as early as Jul. 31, 2015, 1 page.

RCF S.P.A., EVOX 5 and 8, with pictures of two speaker systems, dated at least as early as Aug. 31, 2014, 1 page.

RCF S.P.A., EVOX 5 and 8, with pictures of three speaker systems, dated at least as early as Aug. 31, 2014, 1 page.

RCF S.P.A., EVOX 5 Active Two-Way Array, dated at least as early as Aug. 31, 2014, 1 page.

RCF S.P.A., EVOX 8 Active Two-Way Array, dated at least as early as Aug. 31, 2014, 1 page.

RCF S.P.A., EVOX Two-Way Array button, dated at least as early as Aug. 31, 2014, 1 page.

\* cited by examiner

FIG. 1

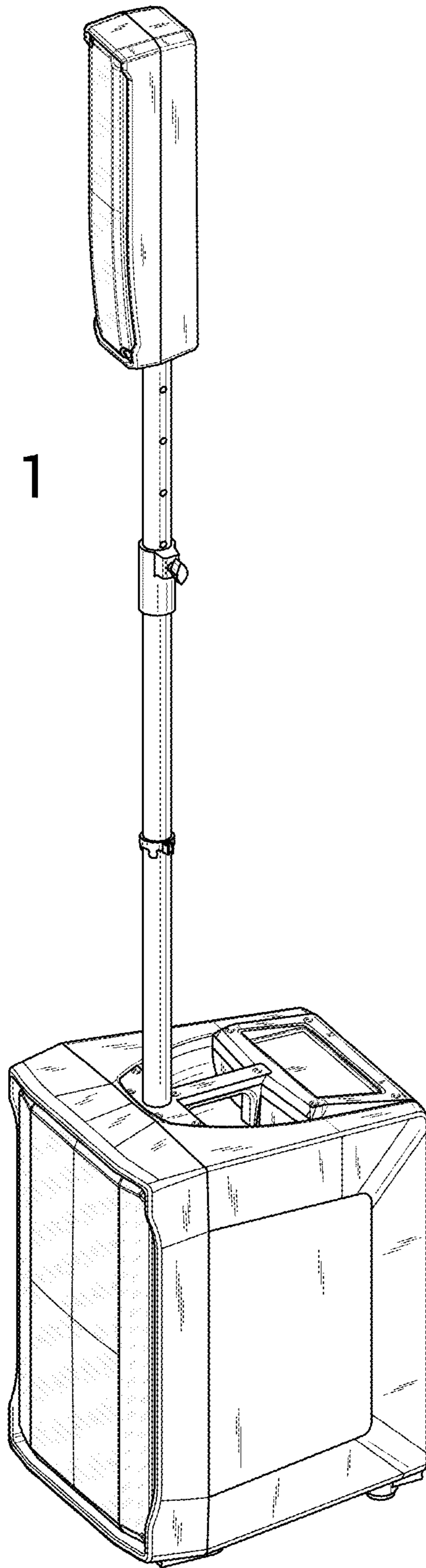
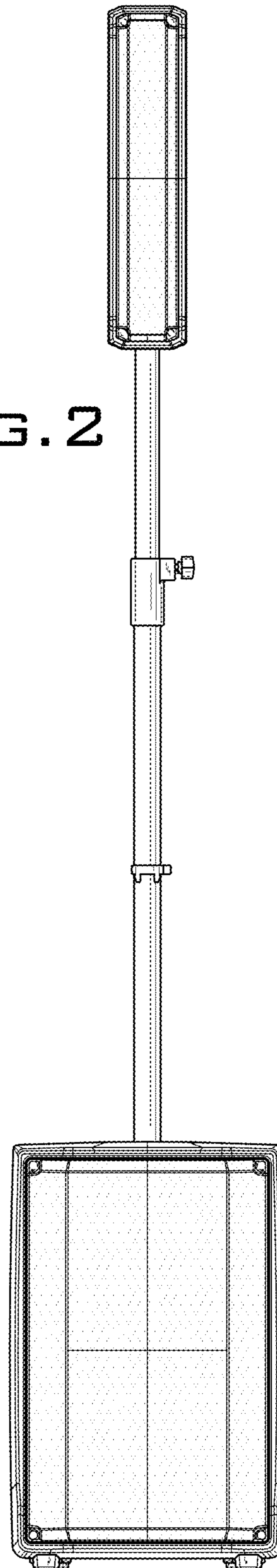


FIG. 2



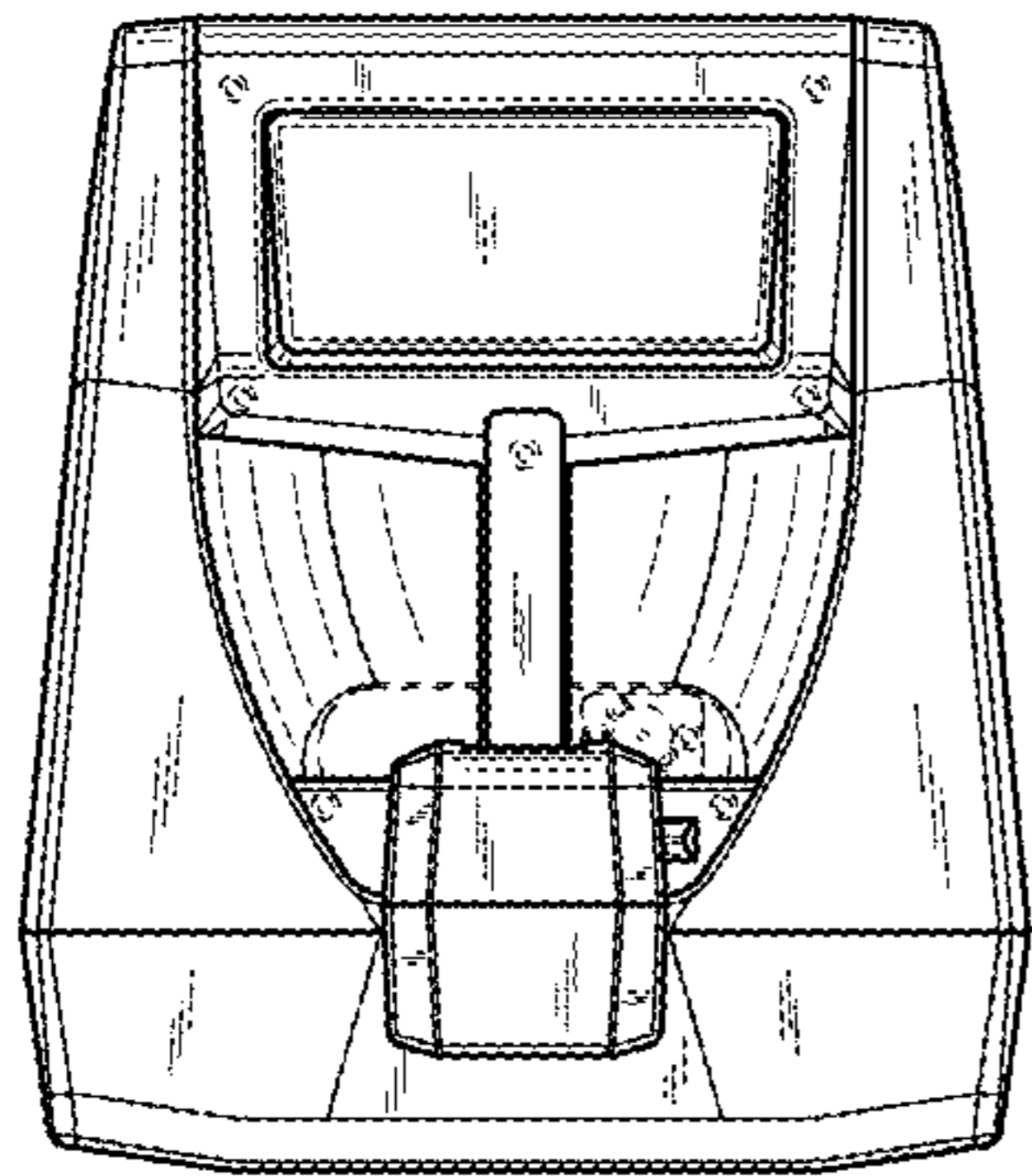


FIG. 3

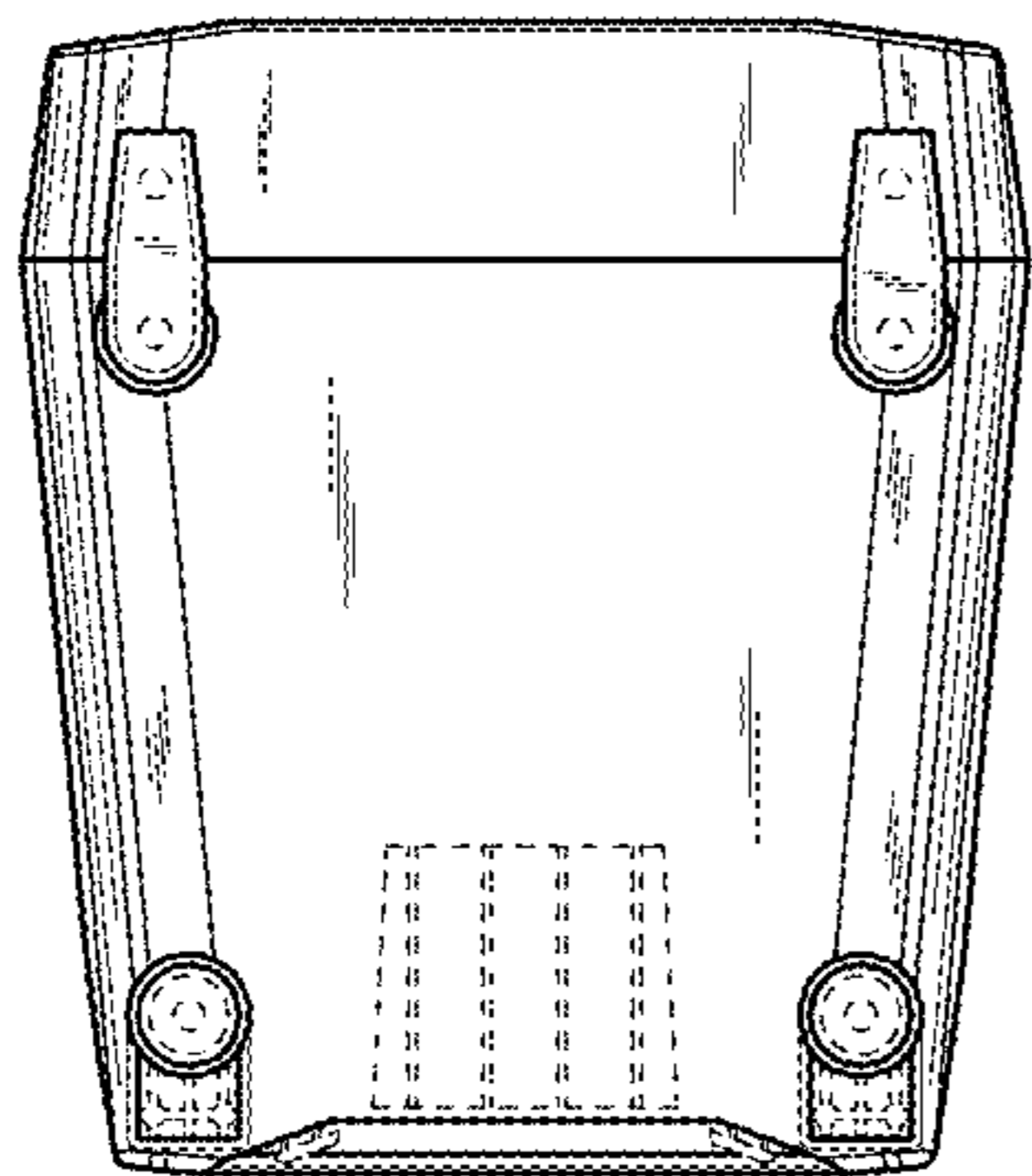


FIG. 4

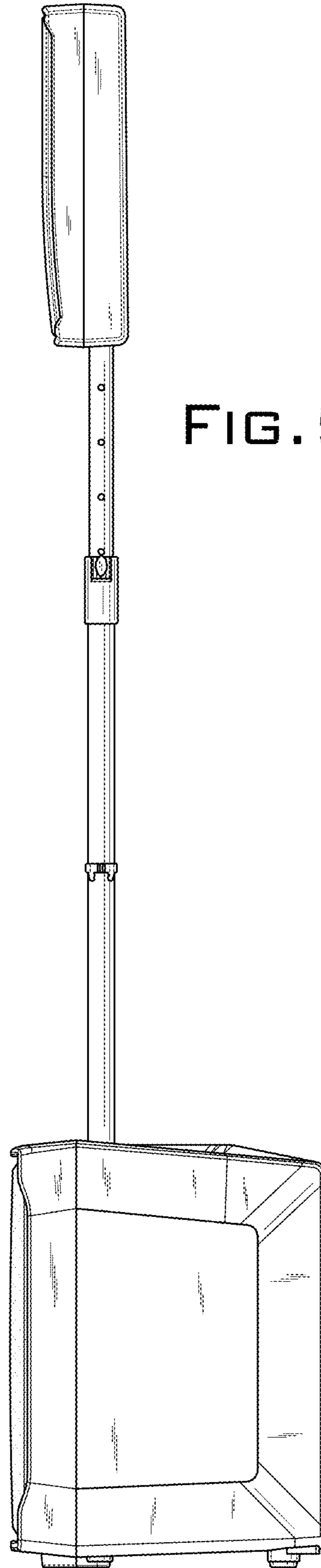


FIG. 5



FIG. 6

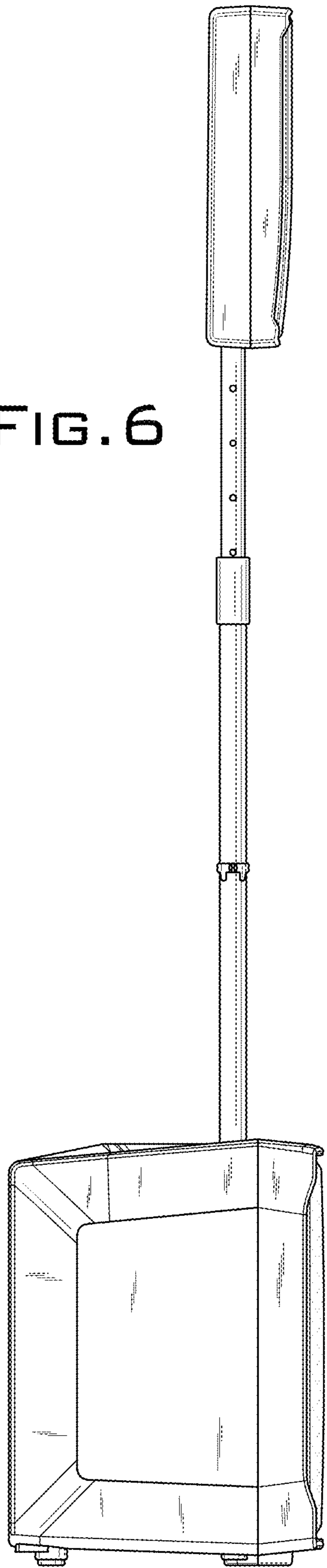


FIG. 7

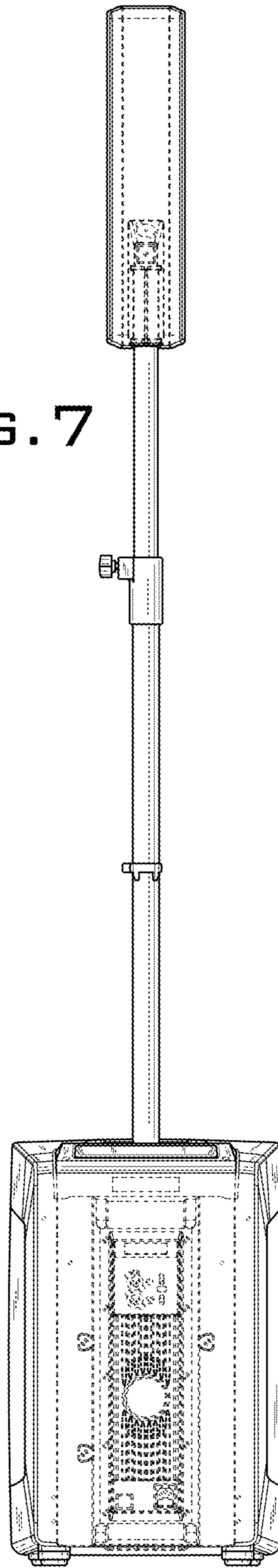


FIG. 8

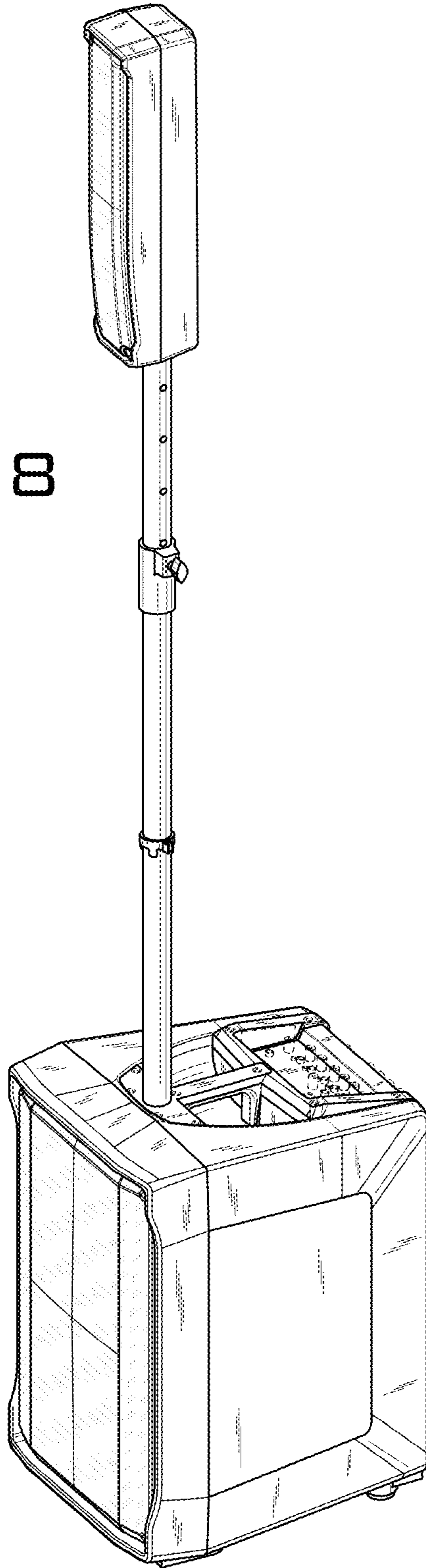
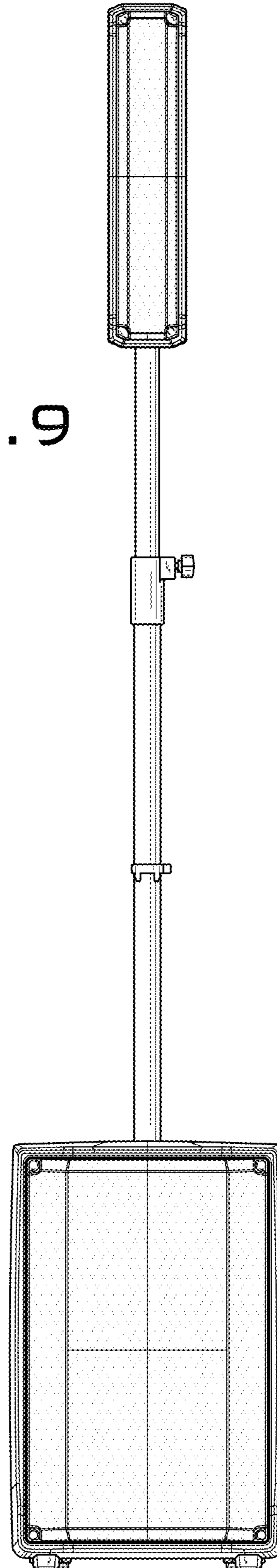


FIG. 9



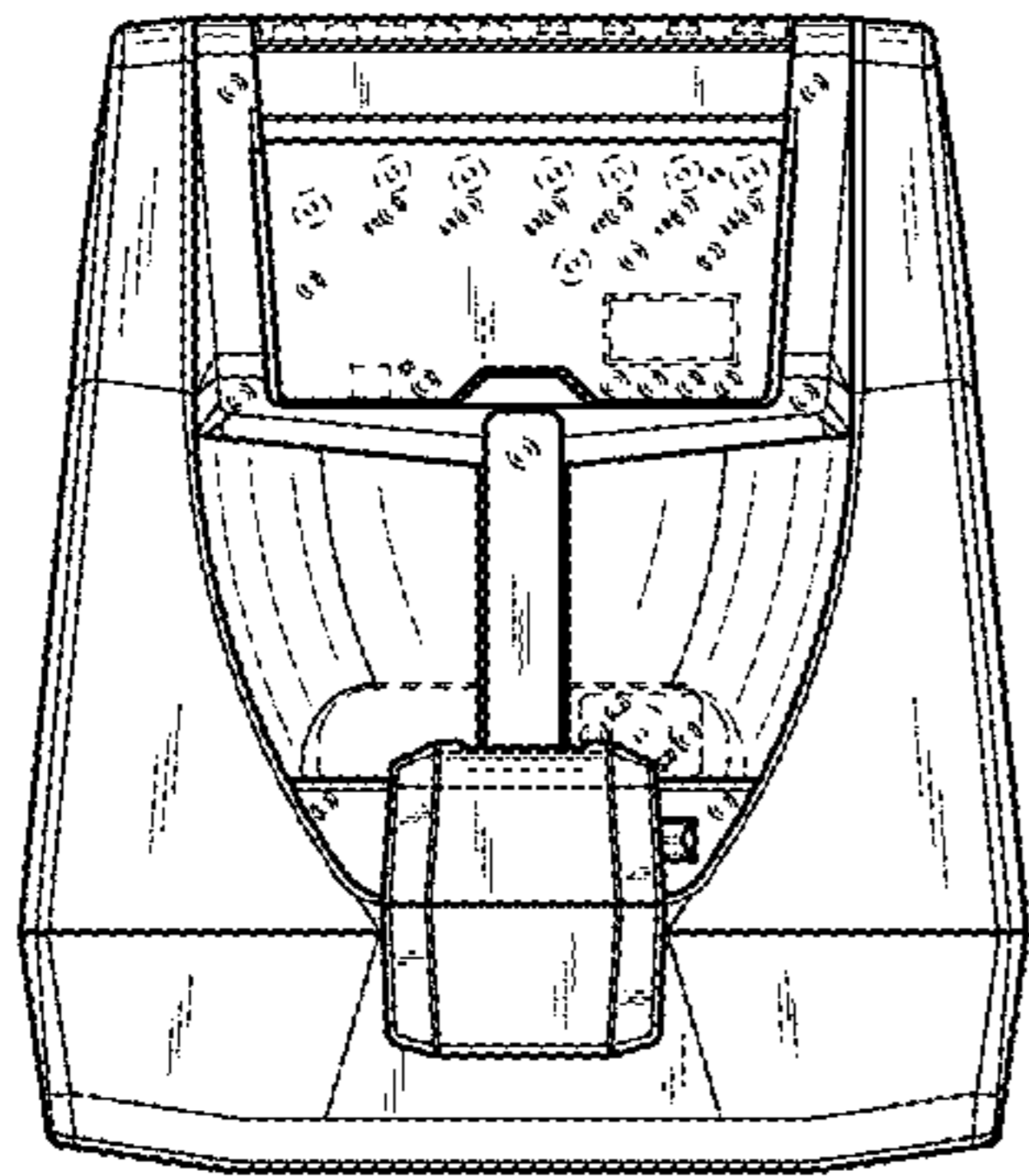


FIG. 10

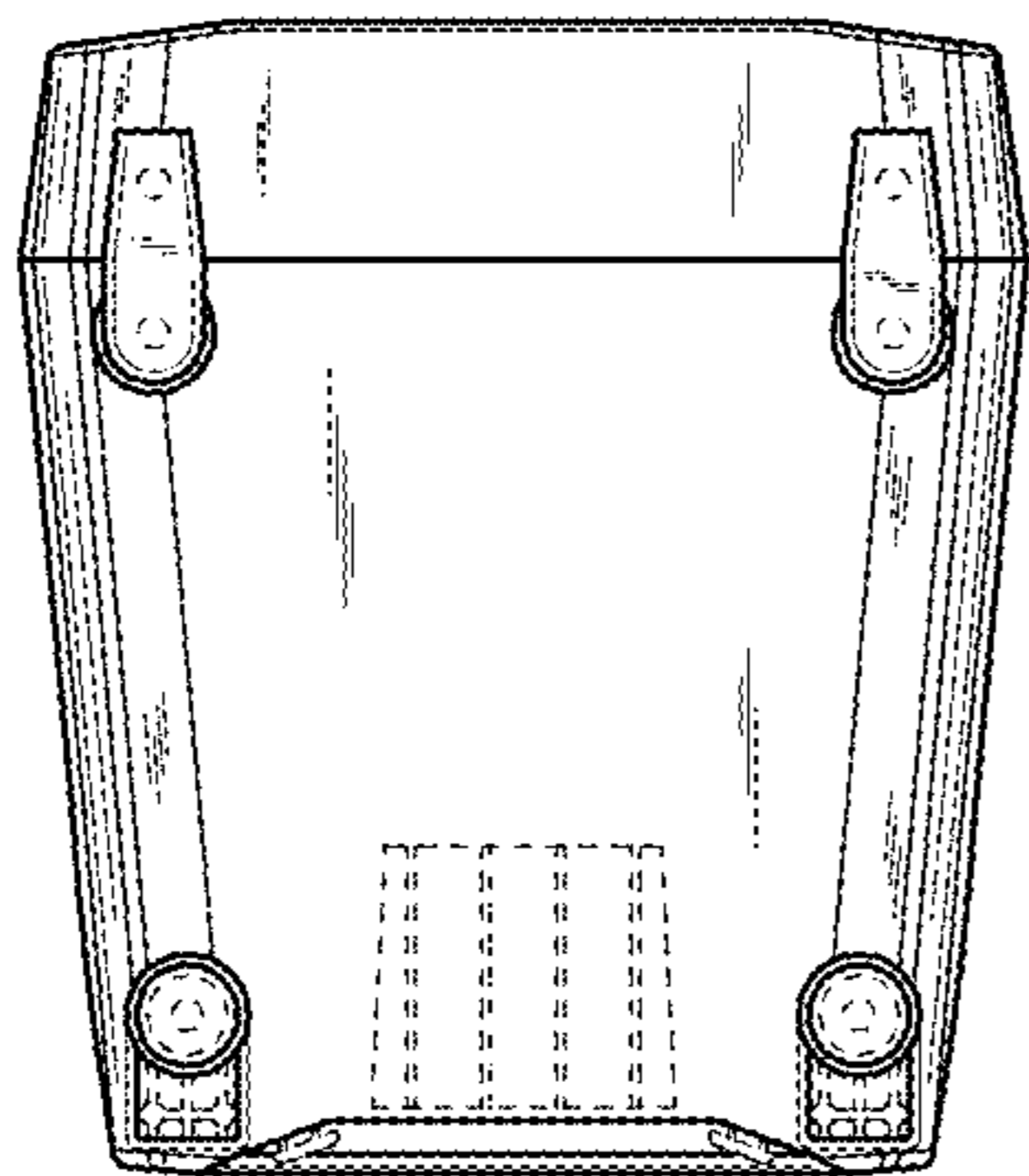


FIG. 11

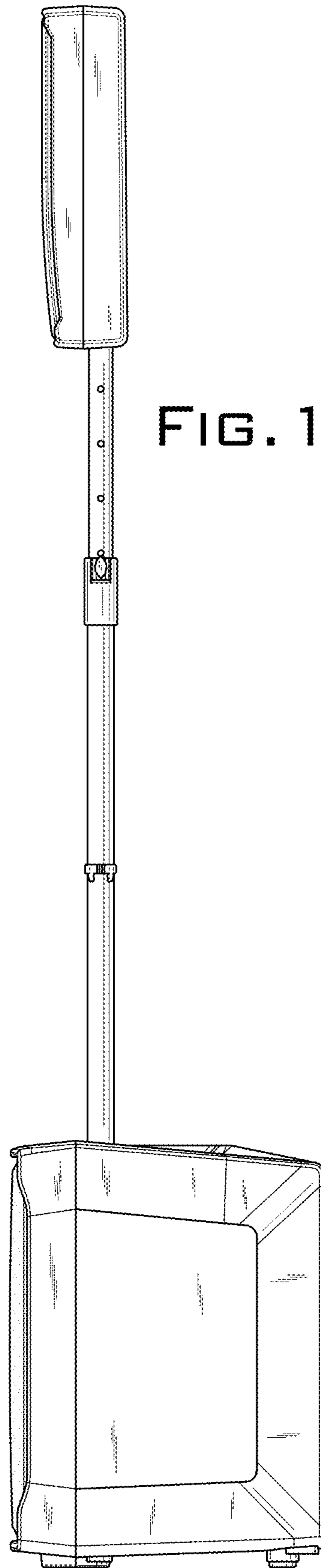


FIG. 12



FIG. 13

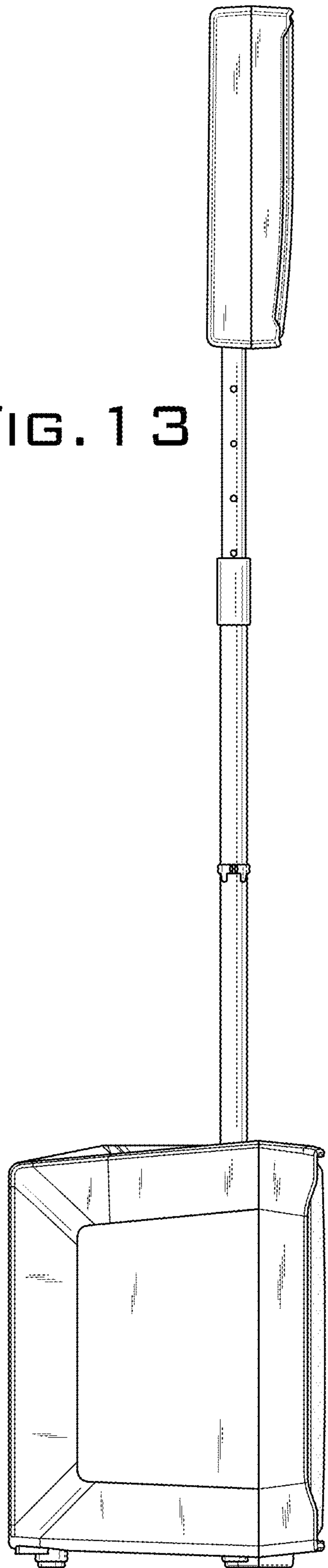


FIG. 14

