



US00D886768S

(12) **United States Design Patent** (10) **Patent No.:** **US D886,768 S**
Mikalauskas (45) **Date of Patent:** **** Jun. 9, 2020**

(54) **FLAT PANEL SPEAKER**

(71) Applicant: **Amina Technologies Limited**,
Huntingdon (GB)

(72) Inventor: **Egidijus Mikalauskas**, Huntingdon
(GB)

(73) Assignee: **Amina Technologies Limited**,
Huntingdon (GB)

(**) Term: **15 Years**

(21) Appl. No.: **29/621,969**

(22) Filed: **Oct. 12, 2017**

(51) **LOC (12) Cl.** **14-01**

(52) **U.S. Cl.**
USPC **D14/204**

(58) **Field of Classification Search**
USPC D14/167, 188, 204, 209.1, 210–215, 348,
D14/352, 498–505; 181/143, 144, 148,
181/153, 157, 198, 199; 369/6–12;
381/300–303, 361–364, 366, 386–388
CPC H04R 1/02; H04R 1/021; H04R 1/023;
H04R 5/00; H04R 9/06; H04R 2420/07
See application file for complete search history.

(56) **References Cited**

U.S. PATENT DOCUMENTS

D321,196 S * 10/1991 Yamamoto D14/211
D449,829 S * 10/2001 Gustavsson D14/214

D461,790 S * 8/2002 Takeshi D14/204
D465,776 S * 11/2002 Takeshi D14/204
D477,307 S * 7/2003 Tierney D14/214
D561,170 S * 2/2008 Koike D14/204
D659,121 S * 5/2012 Chen D14/215
D716,263 S * 10/2014 Lewis D14/215

* cited by examiner

Primary Examiner — Janice Patyk

(74) *Attorney, Agent, or Firm* — Banner & Witcoff, Ltd.

(57) **CLAIM**

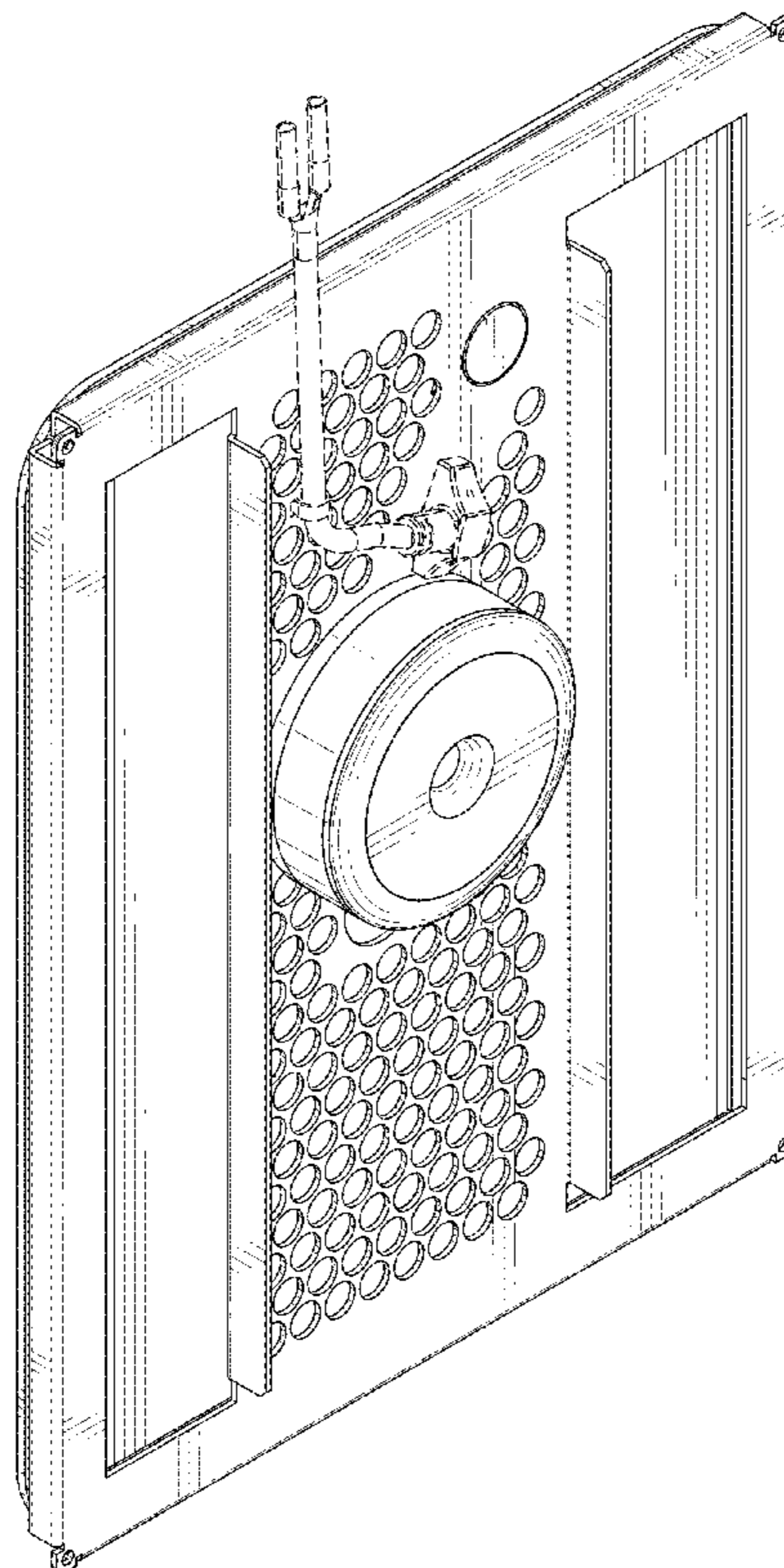
The ornamental design for a flat panel speaker, as shown and described.

DESCRIPTION

FIG. 1 is a rear view of a flat panel speaker showing my new design;
FIG. 2 is a bottom view thereof;
FIG. 3 is a front view thereof;
FIG. 4 is a left side view thereof,
FIG. 5 is a first rear perspective view thereof;
FIG. 6 is a second rear perspective view thereof;
FIG. 7 is a right side view; and,
FIG. 8 is a top view thereof.

The broken lines in the figures illustrate the portions of the design that form no part of the claimed design.

1 Claim, 8 Drawing Sheets



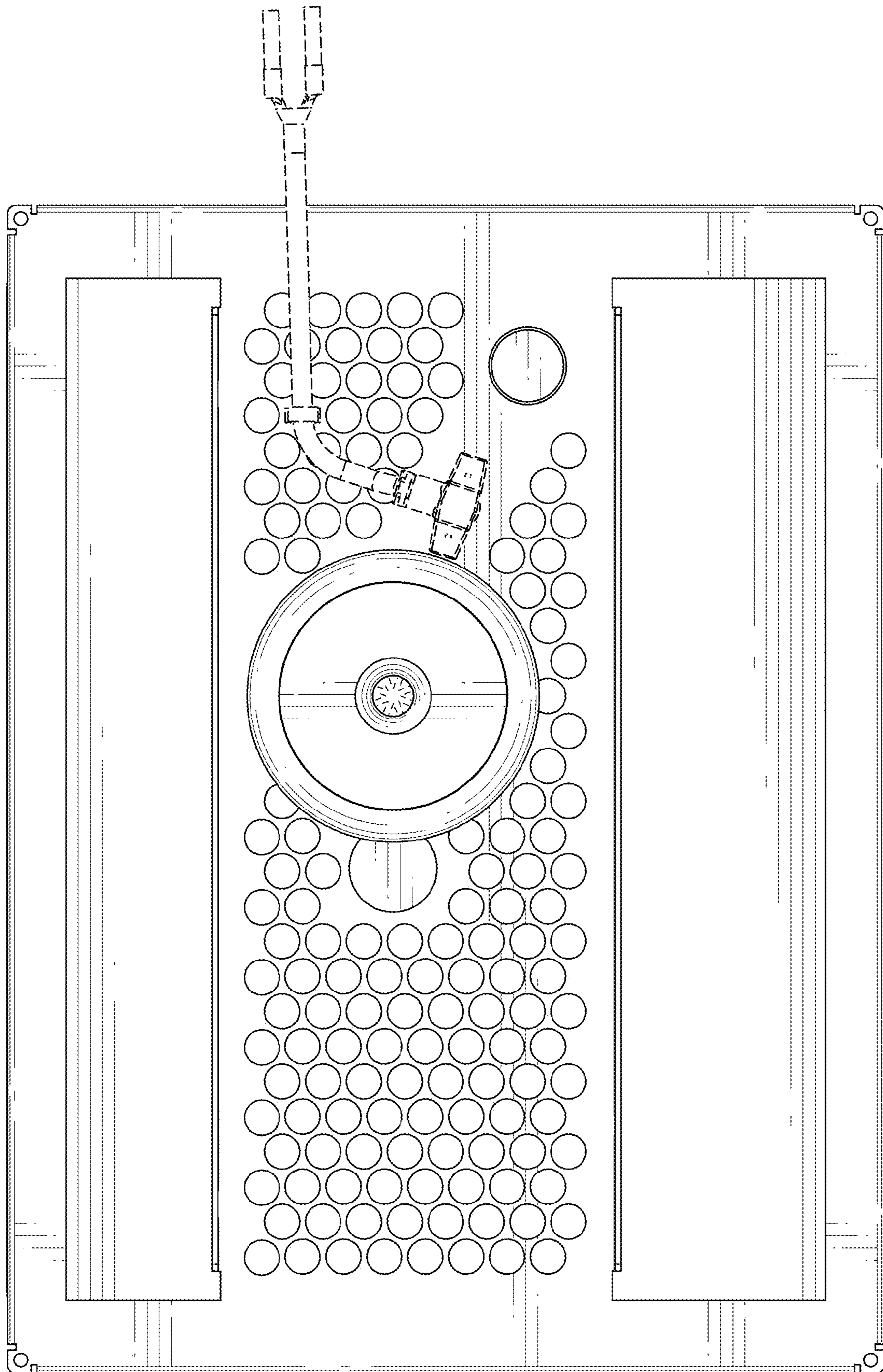


FIG. 1

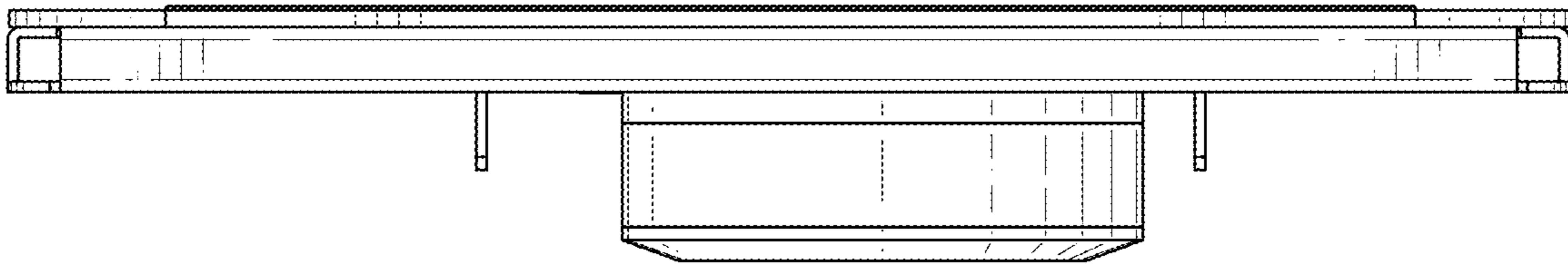


FIG. 2

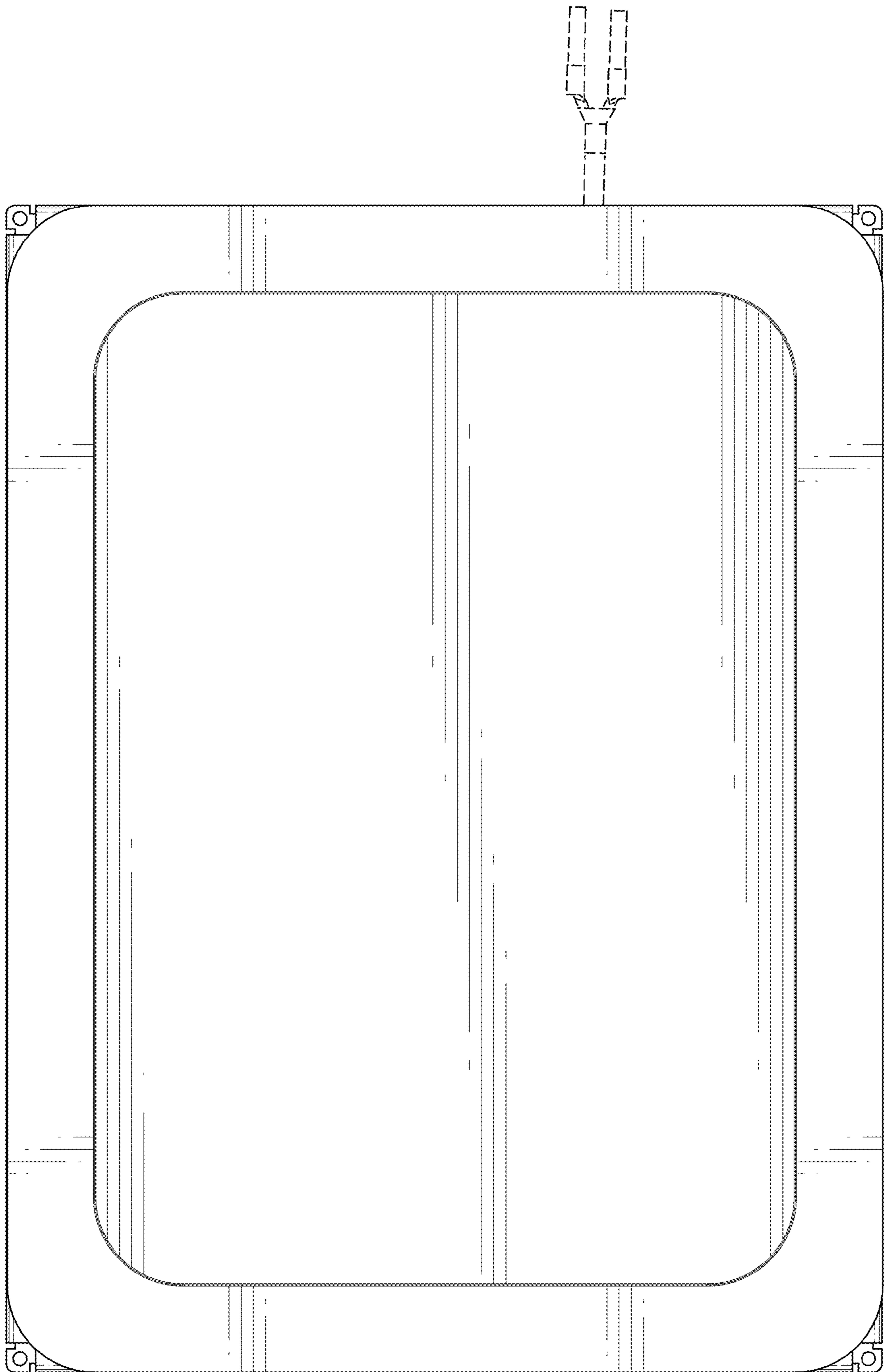


FIG. 3

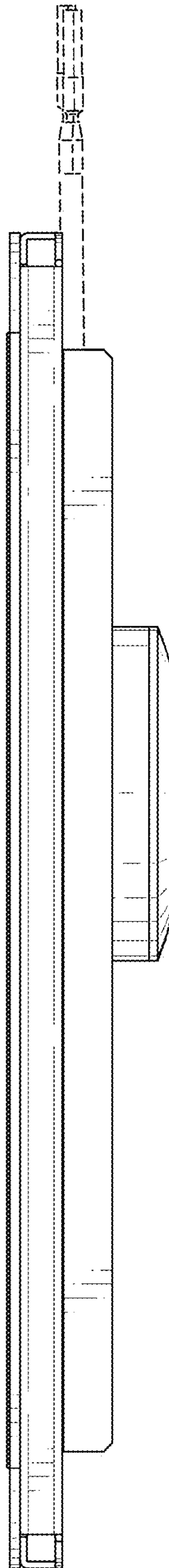


FIG. 4

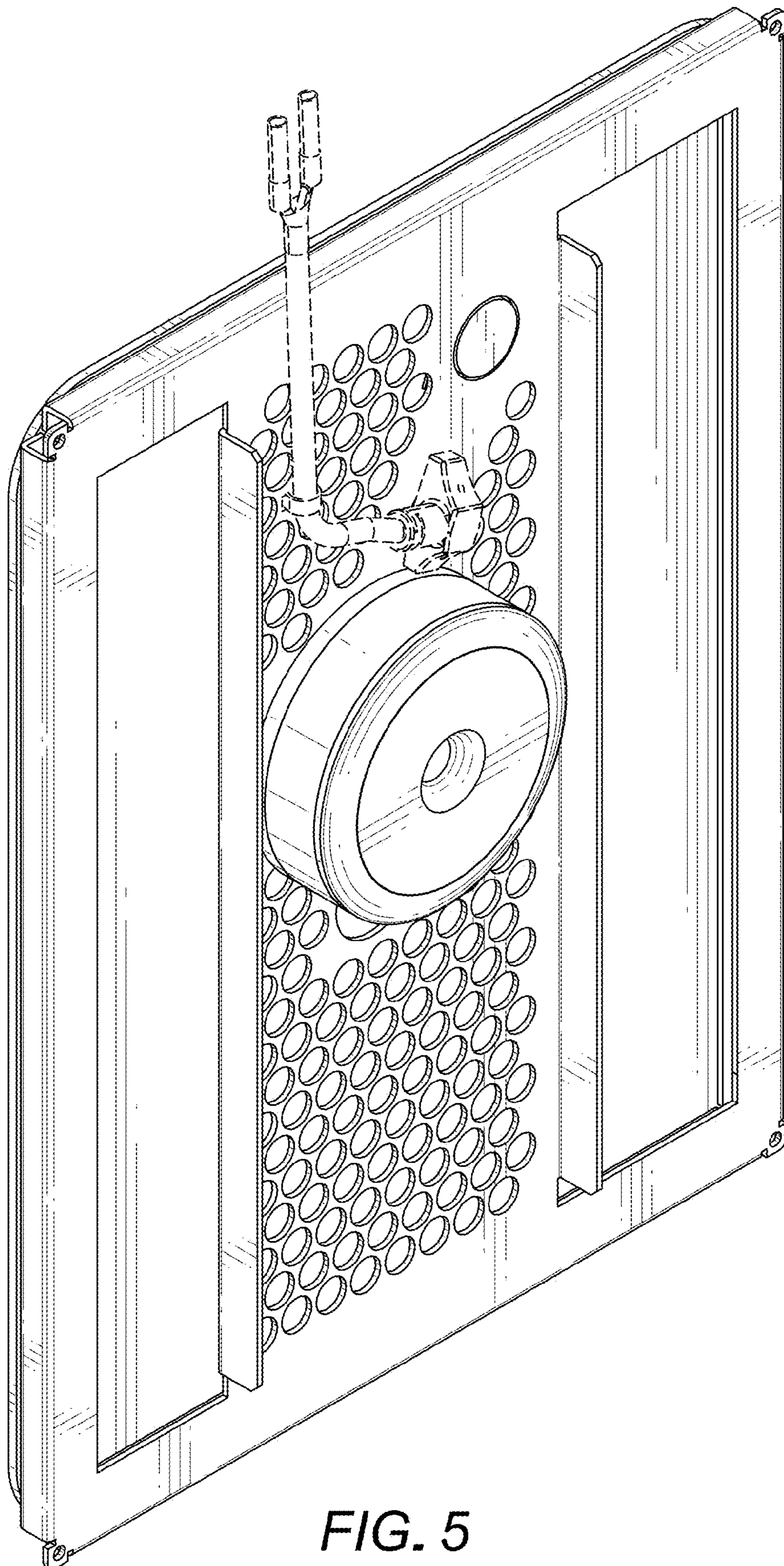


FIG. 5

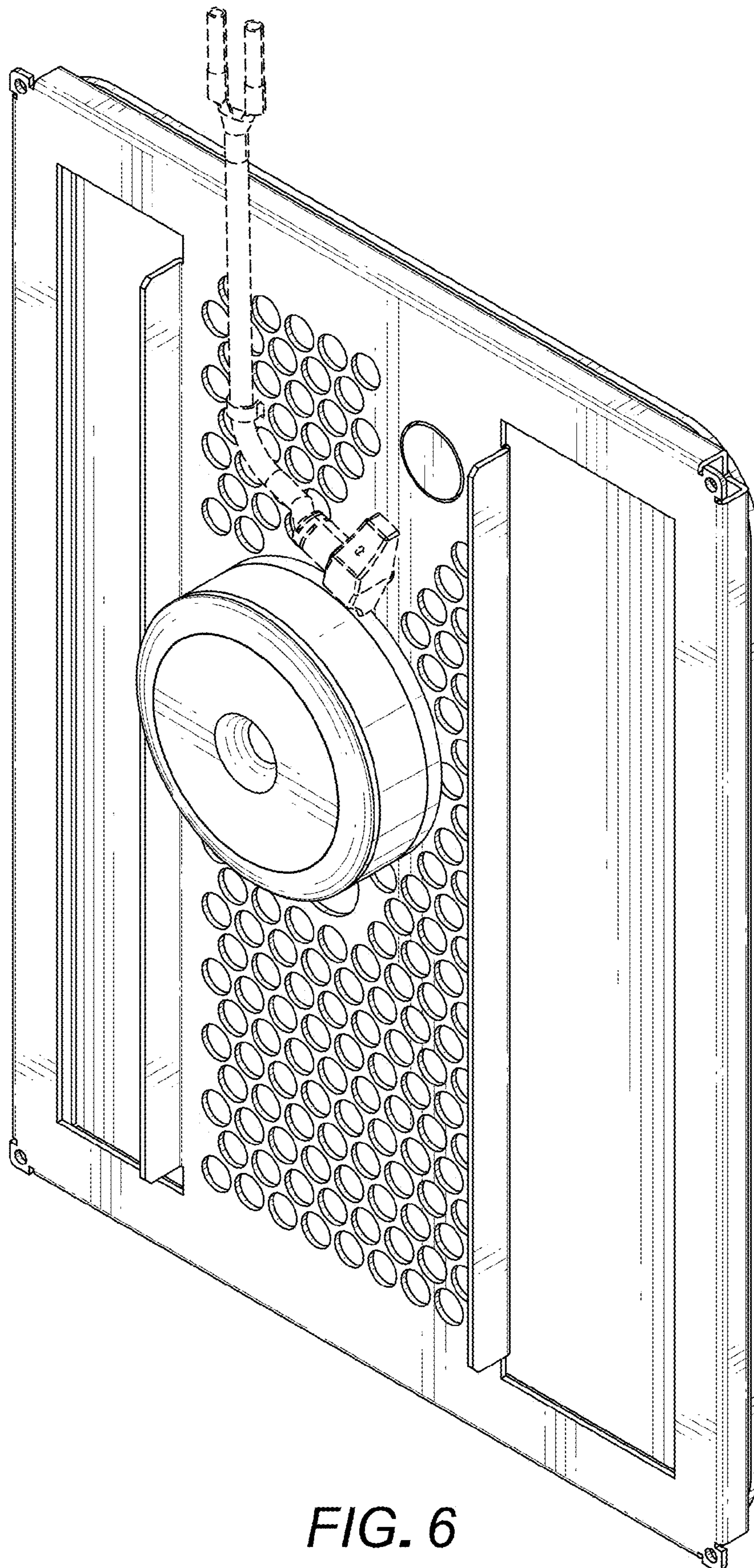


FIG. 6

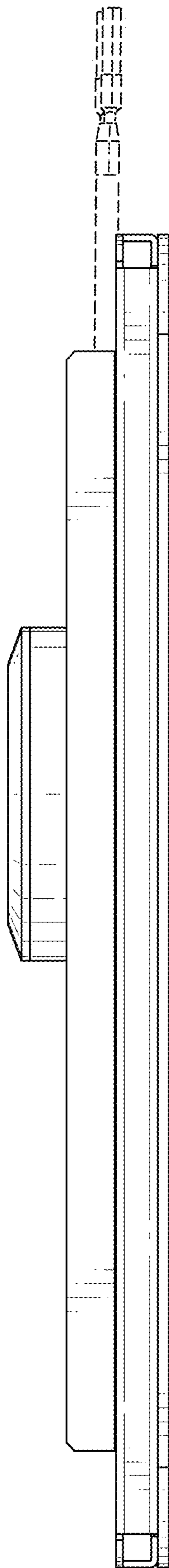


FIG. 7

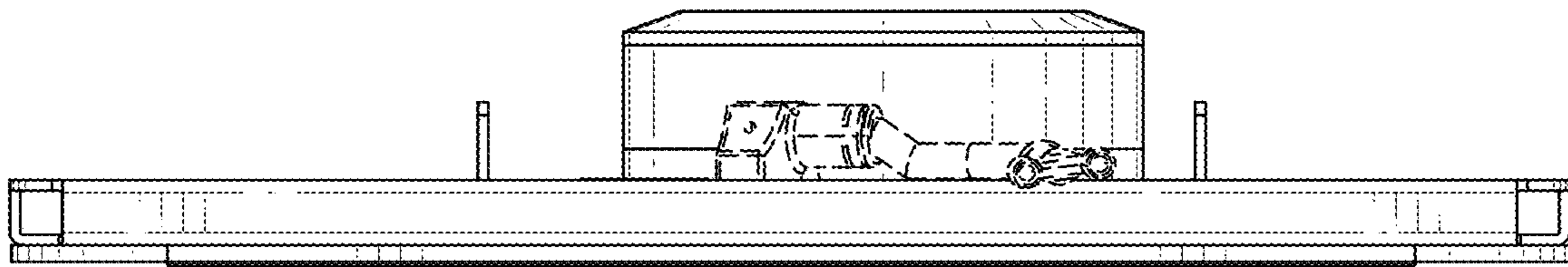


FIG. 8