



US00D886766S

(12) **United States Design Patent** (10) **Patent No.:** **US D886,766 S**
Matarese et al. (45) **Date of Patent:** **** Jun. 9, 2020**

(54) **SPEAKER DEVICE**

(71) Applicant: **Google LLC**, Mountain View, CA (US)

(72) Inventors: **Nicholas Matarese**, San Francisco, CA (US); **David Chenell**, Sunnyvale, CA (US); **Jung Geun Tak**, Millbrae, CA (US); **Maj Isabelle Olsson**, Sunnyvale, CA (US); **Katherine Morgenroth**, Los Gatos, CA (US); **Livius Dumitru Chebeleu**, San Jose, CA (US); **Kristen Mangum**, San Mateo, CA (US); **Carl Cepress**, Mountain View, CA (US); **Anna Knutson**, San Francisco, CA (US)

(73) Assignee: **Google LLC**, Mountain View, CA (US)

(**) Term: **15 Years**

(21) Appl. No.: **29/621,001**

(22) Filed: **Oct. 3, 2017**

Related U.S. Application Data

(63) Continuation-in-part of application No. 29/615,769, filed on Aug. 31, 2017, now abandoned, and a continuation-in-part of application No. 29/615,773, filed on Aug. 31, 2017, now abandoned.

(51) **LOC (12) Cl.** **14-01**

(52) **U.S. Cl.**
USPC **D14/204**

(58) **Field of Classification Search**
USPC D14/188, 203.1, 203.3, 204, 210–216, D14/219, 221, 356, 363, 365–368, 496; 181/143, 144, 148, 153, 157, 198, 199; 369/6–12; 381/300–303, 361–364, 381/386–388; D6/349, 601, 604
CPC H04R 1/02; H04R 1/021; H04R 1/023; H04R 5/00; H04R 9/06; H04R 2420/07
See application file for complete search history.

(56) **References Cited**

U.S. PATENT DOCUMENTS

D269,249 S * 6/1983 Cillario D9/424
D310,243 S * 8/1990 Evenson D19/75
D360,417 S 7/1995 Mark
D409,150 S 5/1999 Davis et al.

(Continued)

FOREIGN PATENT DOCUMENTS

CN 304261281 S 8/2017
JP 1575144 S 5/2017
JP 1594394 S 1/2018

OTHER PUBLICATIONS

Monbento Original Bento Box, announced Mar. 11, 2013, [online], site visited Jul. 15, 2019. Available from Internet, URL: <http://www.amazon.com> (Year: 2013).*

(Continued)

Primary Examiner — Janice Patyk

(74) *Attorney, Agent, or Firm* — Morgan, Lewis & Bockius LLP

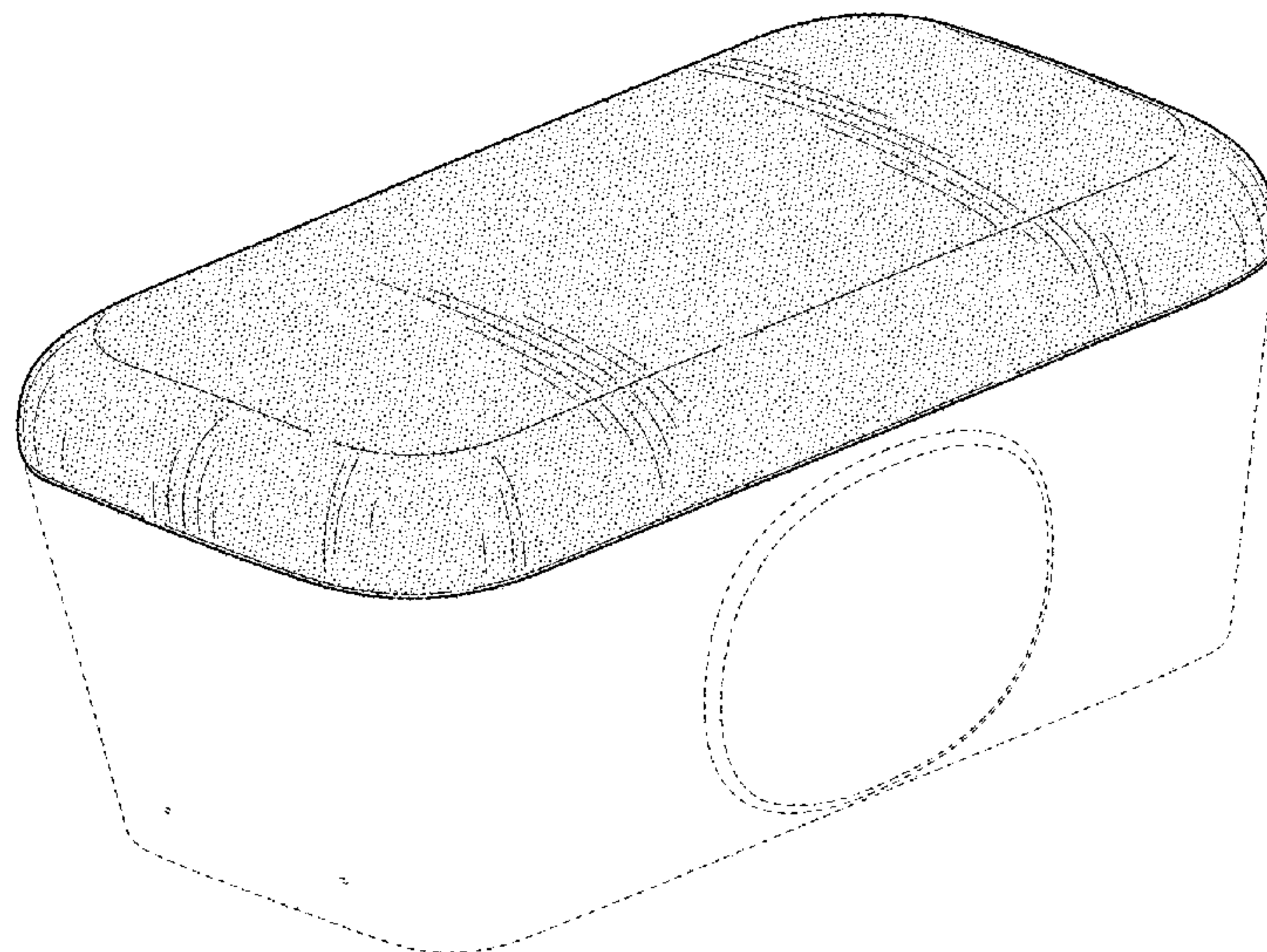
(57) **CLAIM**

The ornamental design for a speaker device, as shown and described.

DESCRIPTION

FIG. 1 is a top perspective view of a speaker device showing our new design;
FIG. 2 is a front elevation view thereof;
FIG. 3 is a rear elevation view thereof;
FIG. 4 is a right side elevation view thereof;
FIG. 5 is a left side elevation view thereof;
FIG. 6 is a top plan view thereof; and,
FIG. 7 is a bottom plan view thereof.
The broken lines in the figures illustrate portions of the design that form no part of the claimed design.

1 Claim, 4 Drawing Sheets



(56)

References Cited

U.S. PATENT DOCUMENTS

D416,233 S 11/1999 Tsai
 D483,281 S * 12/2003 Cobigo D10/104.1
 D494,633 S 8/2004 Nussberger et al.
 D496,004 S 9/2004 Borsboom
 D510,926 S 10/2005 Jerome
 D518,030 S 3/2006 Lin
 D536,692 S * 2/2007 Alwicker D14/188
 D557,624 S * 12/2007 Coster D10/70
 D564,694 S * 3/2008 Southern, Jr. D26/76
 D574,834 S 8/2008 Chen
 D577,009 S 9/2008 Wilson et al.
 D578,105 S 10/2008 Komiyama
 D579,952 S * 11/2008 Yamada D14/496
 D587,239 S 2/2009 Raisanen et al.
 D590,812 S 4/2009 Muraoka et al.
 D601,150 S 9/2009 Romero
 D628,537 S 12/2010 Nagata et al.
 D632,265 S 2/2011 Choi et al.
 D637,306 S 5/2011 Feuerabend et al.
 D639,783 S 6/2011 Murayama et al.
 D664,932 S 8/2012 Sedic
 D666,575 S 9/2012 Marsh
 D674,688 S * 1/2013 Loftin D9/428
 D674,786 S * 1/2013 Park D14/240
 D675,434 S * 2/2013 Vernall D3/294
 D678,285 S 3/2013 Chen
 D709,504 S 7/2014 Breines

D727,907 S 4/2015 Higashi
 D731,334 S 6/2015 Fiedler et al.
 D731,489 S 6/2015 Langhammer et al.
 D735,476 S * 8/2015 Duvigneau D3/294
 D738,858 S 9/2015 Tuhkanen
 D739,845 S 9/2015 Hwang
 D740,018 S * 10/2015 Zhang D3/201
 D743,398 S 11/2015 Smith et al.
 D747,984 S 1/2016 Zhao et al.
 D755,790 S 5/2016 Salvatori et al.
 D756,330 S 5/2016 Silvera
 D757,011 S 5/2016 Sakai
 D782,485 S 3/2017 Cai
 D794,029 S 8/2017 Lin
 D800,068 S 10/2017 Kim
 D806,711 S 1/2018 Sakaguchi et al.
 D810,748 S 2/2018 Zhang
 D810,749 S 2/2018 Zhang
 D813,873 S 3/2018 Pathak et al.
 9,935,408 B1 4/2018 Pathak et al.
 D832,260 S 10/2018 Hutton et al.
 2012/0062483 A1 3/2012 Ciesla et al.
 2014/0139466 A1 5/2014 Sakaguchi et al.

OTHER PUBLICATIONS

Notice of Grant for Japanese Design Patent Application No. 2017-027443, dated Jul. 10, 2018. 3 pages.

* cited by examiner

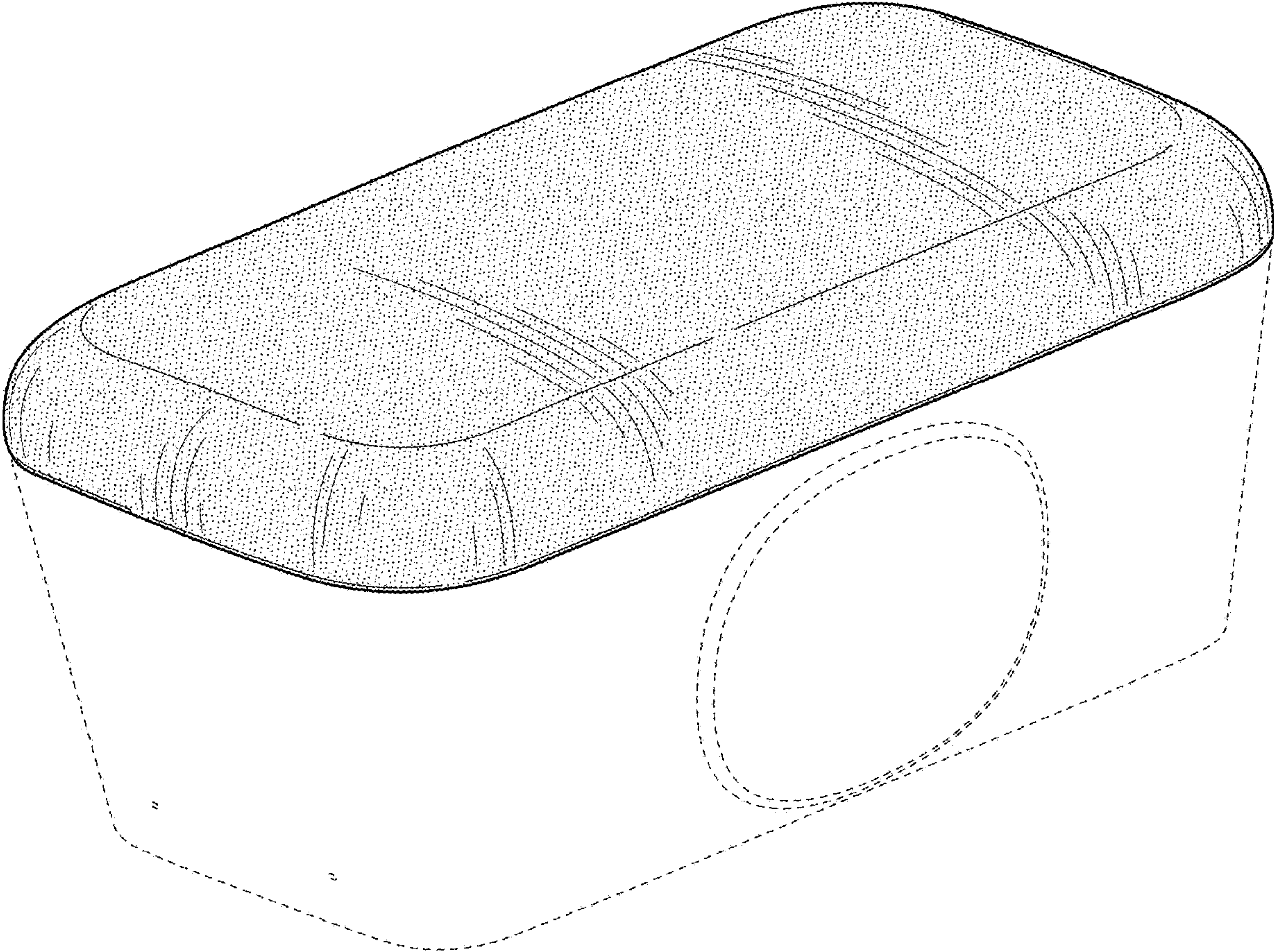


FIG. 1

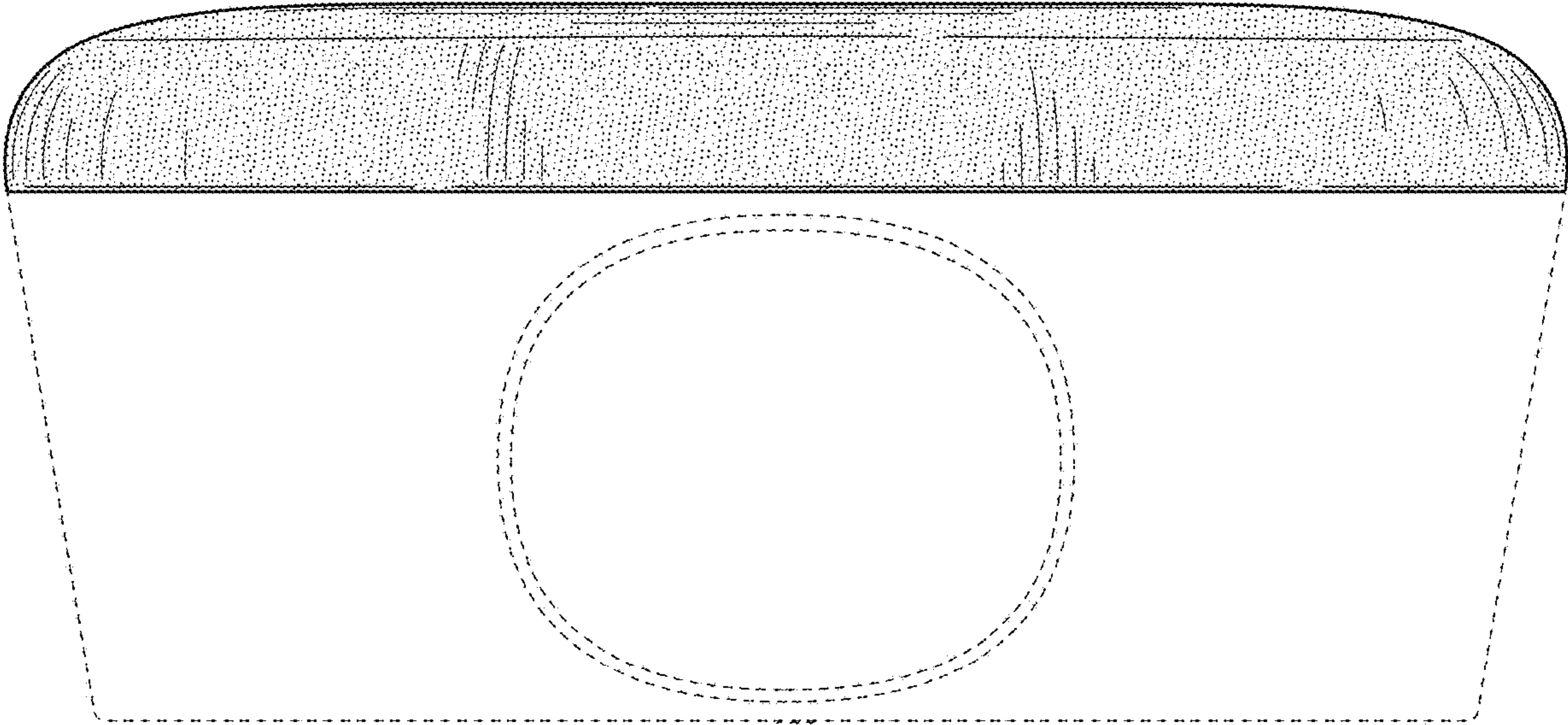


FIG. 2

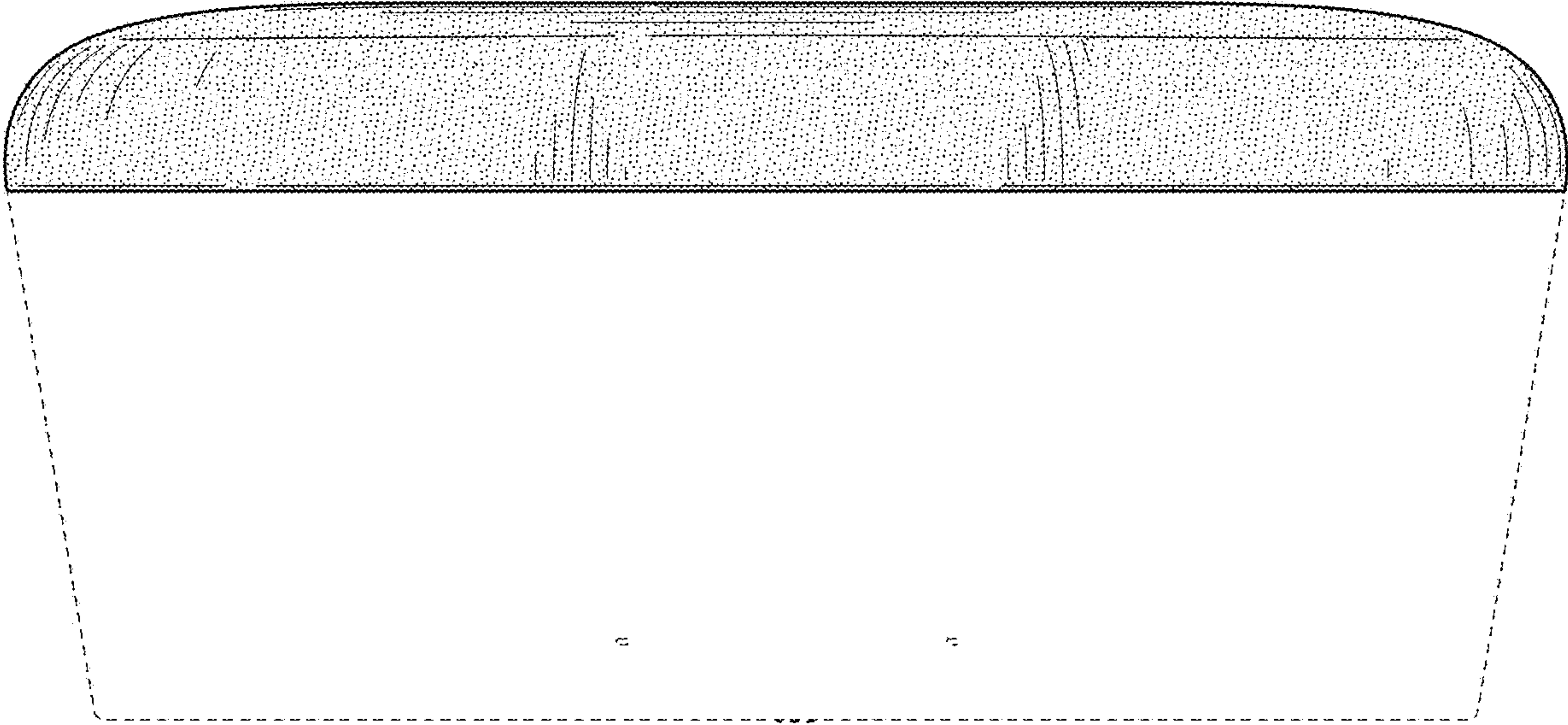


FIG. 3

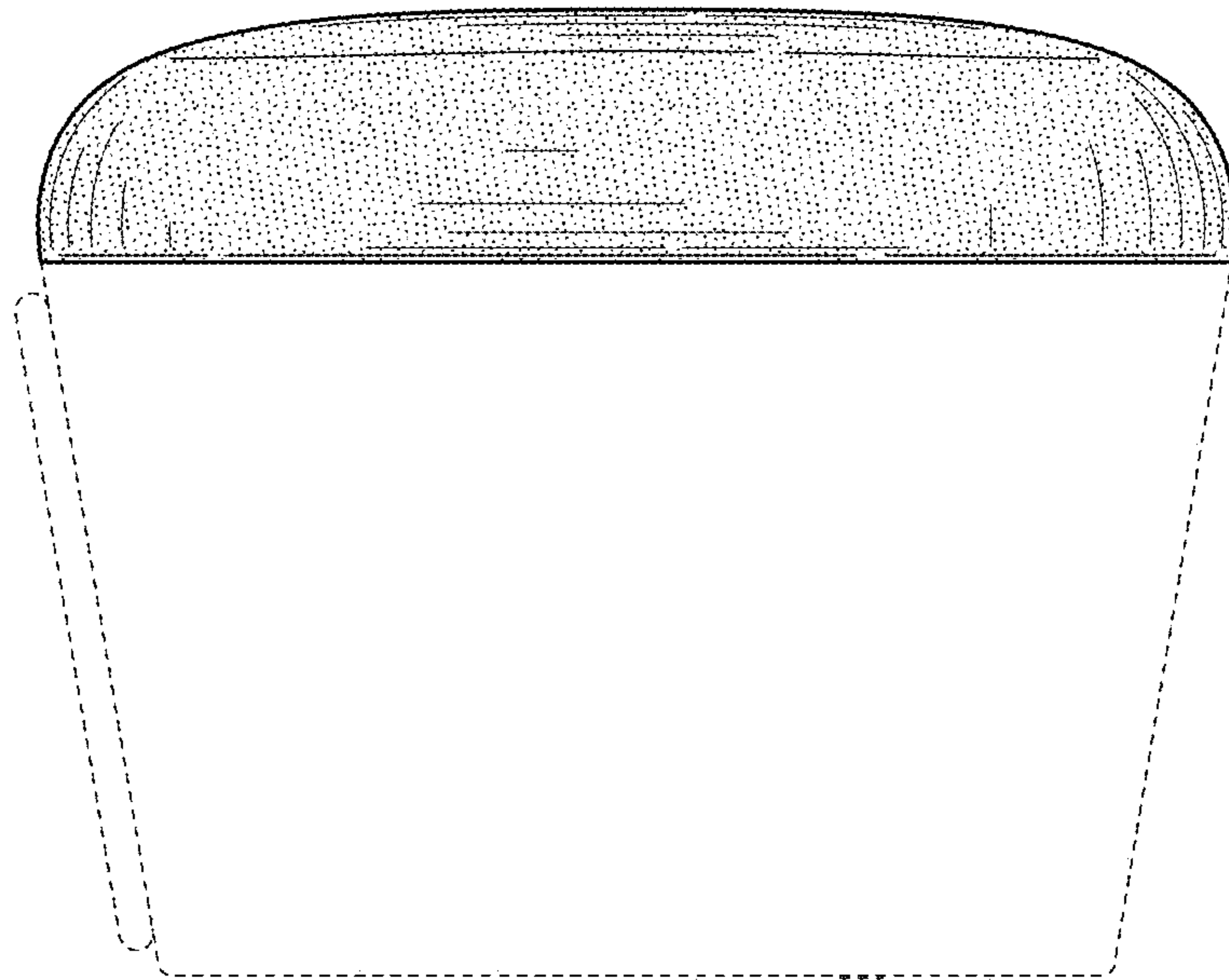


FIG. 4

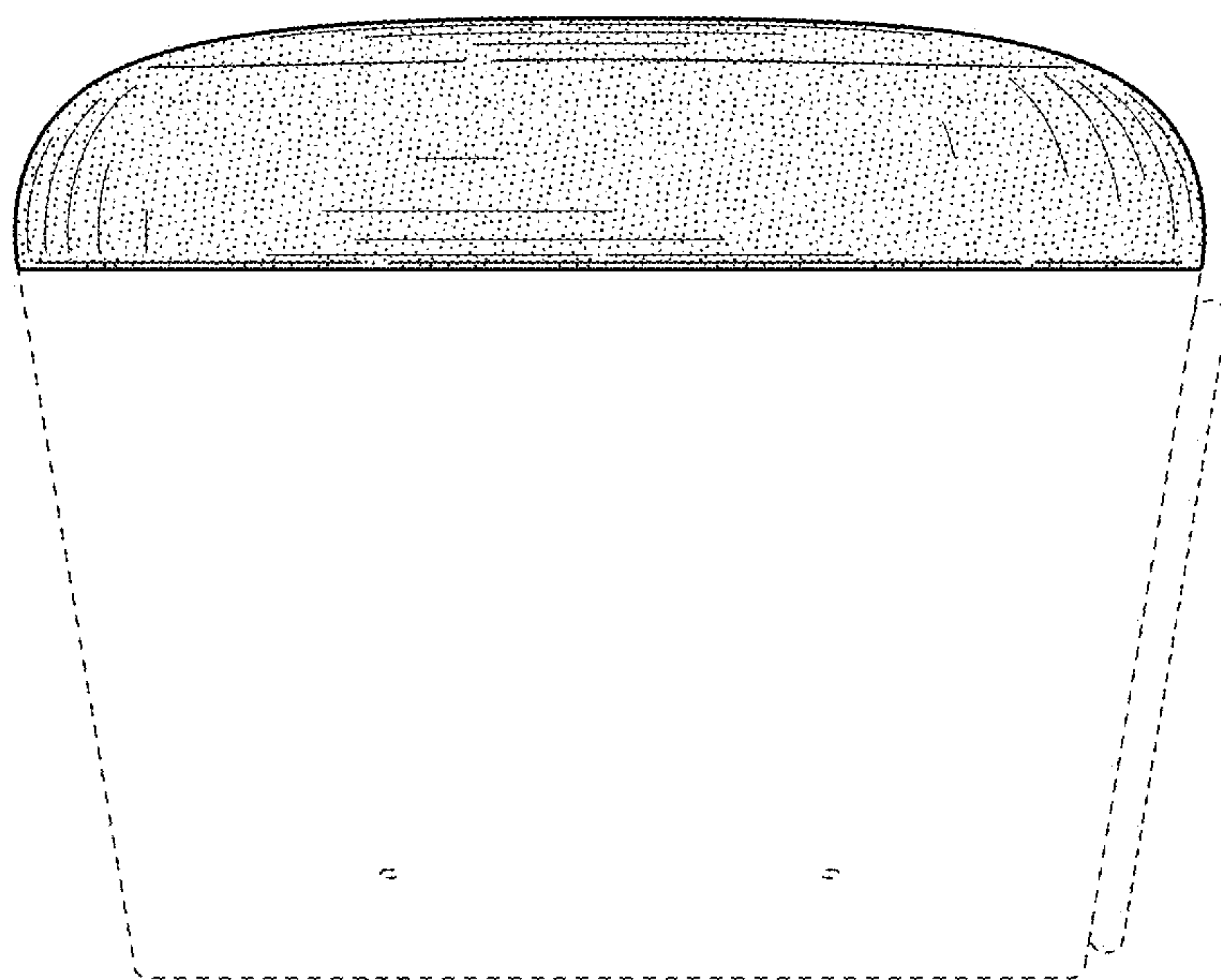


FIG. 5

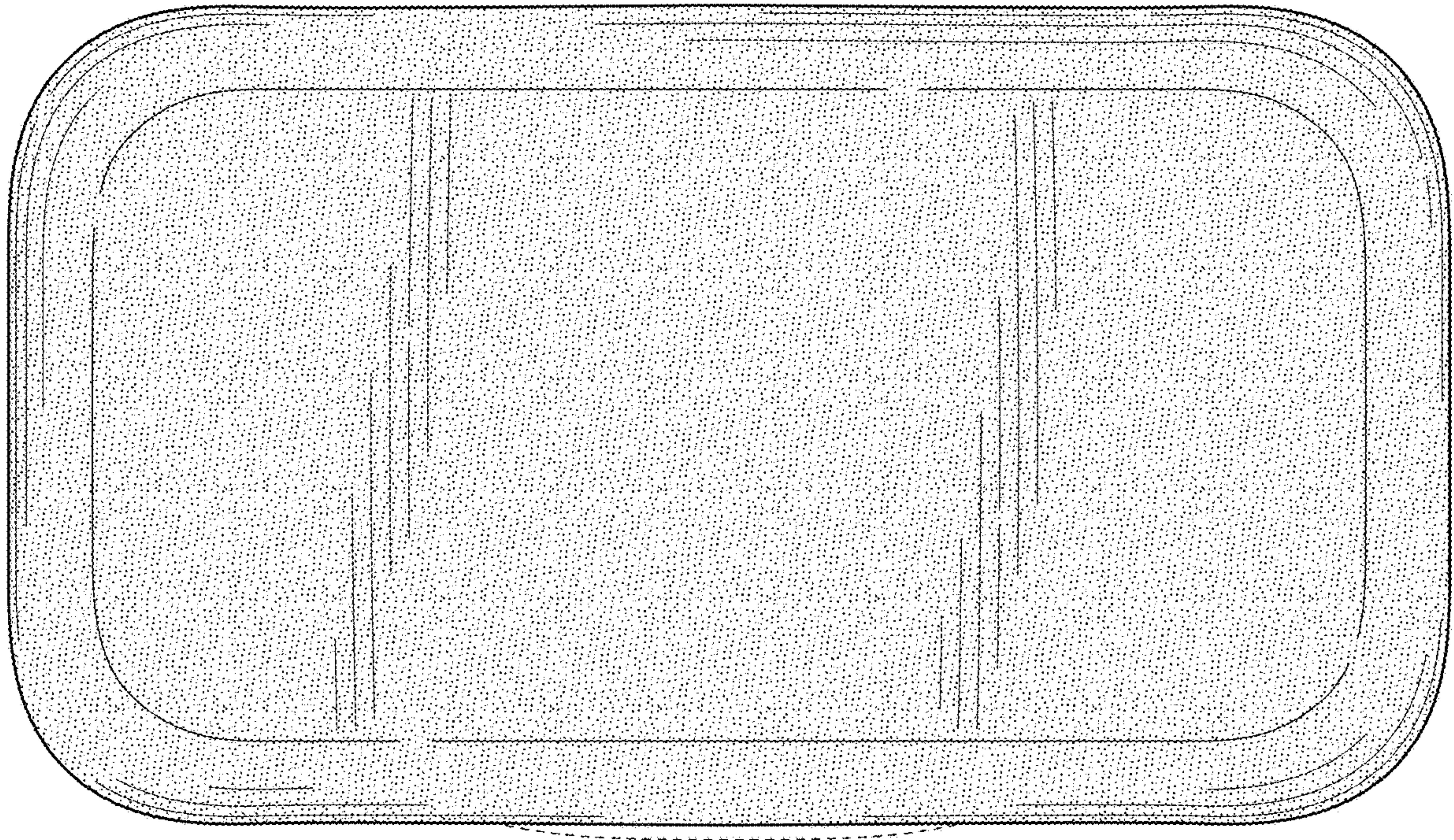


FIG. 6

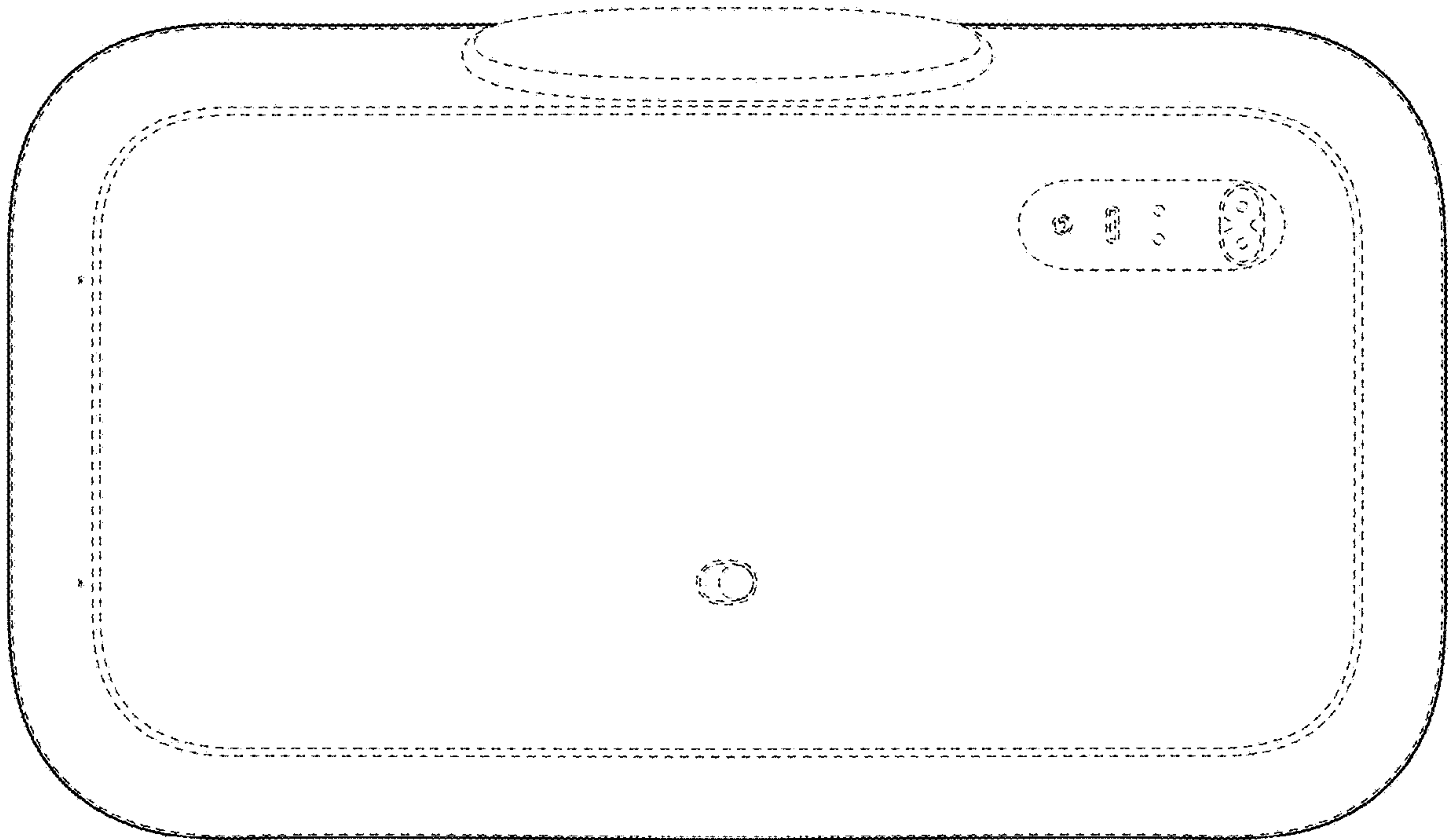


FIG. 7