



US00D886763S

(12) **United States Design Patent**  
**Shen**

(10) **Patent No.:** **US D886,763 S**

(45) **Date of Patent:** **\*\* Jun. 9, 2020**

(54) **RECORD PLAYER**

(71) Applicant: **Xin Shen**, Jiangsu (CN)

(72) Inventor: **Xin Shen**, Jiangsu (CN)

(\*\*) Term: **15 Years**

(21) Appl. No.: **29/718,293**

(22) Filed: **Dec. 23, 2019**

(51) **LOC (12) Cl.** ..... **14-01**

(52) **U.S. Cl.**

USPC ..... **D14/201**; D14/203

(58) **Field of Classification Search**

USPC ..... D14/199-203, 261; 369/264-265

CPC ..... B60R 11/02; B60K 37/04; B60K 37/06;

H04B 1/08; H04B 1/082; G11B 17/16;

G11B 23/00; G11B 19/16; G11B 33/02

See application file for complete search history.

(56) **References Cited**

**U.S. PATENT DOCUMENTS**

1,278,440 A \* 9/1918 Corley ..... G11B 33/02

D14/201

2,556,421 A \* 6/1951 Gee, Jr. .... G11B 33/027

369/78

D186,471 S \* 10/1959 Steidinger ..... D14/201

D198,937 S \* 8/1964 Kilts ..... G11B 33/02

D14/201

D201,206 S \* 5/1965 Funk ..... D14/201

3,268,229 A \* 8/1966 Funk ..... G11B 33/02

D14/201

D229,574 S \* 12/1973 Martin ..... D14/201

D250,333 S \* 11/1978 Meunier ..... G11B 17/05

D14/203

D279,371 S \* 6/1985 Arrington ..... G11B 33/02

D14/202

D845,268 S 4/2019 He

\* cited by examiner

*Primary Examiner* — Sandra L Morris

(74) *Attorney, Agent, or Firm* — Justin Lampel

(57)

**CLAIM**

The ornamental design for a record player, as shown and described.

**DESCRIPTION**

FIG. 1 is a perspective view of a record player showing the claimed design;

FIG. 2 is a top plan view thereof;

FIG. 3 is a rear elevational view thereof;

FIG. 4 is a bottom plan view thereof;

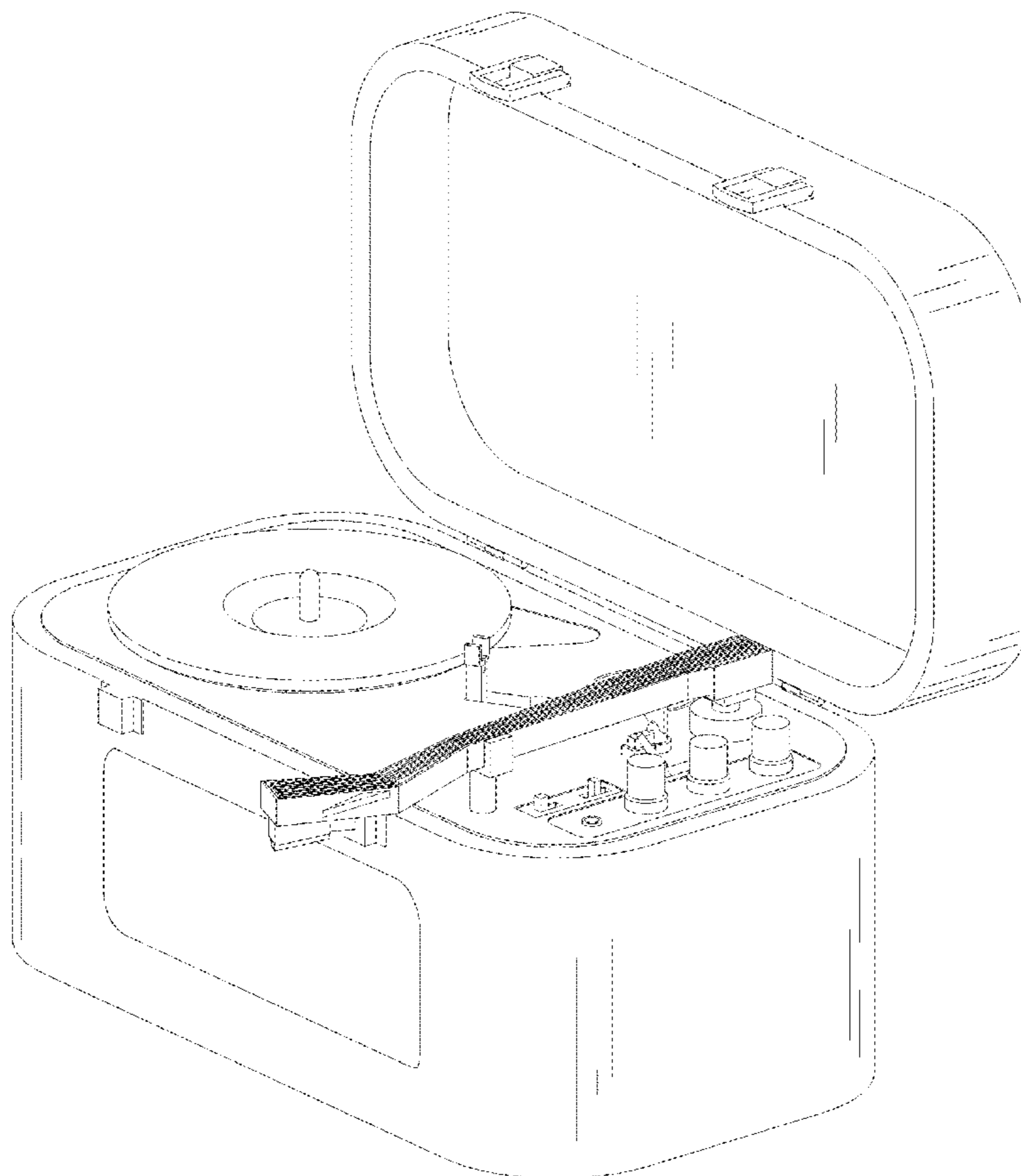
FIG. 5 is a right side view thereof;

FIG. 6 is a front elevational view thereof; and,

FIG. 7 is a left side view thereof.

The broken lines illustrate portions of the record player that form no part of the claimed design.

**1 Claim, 7 Drawing Sheets**



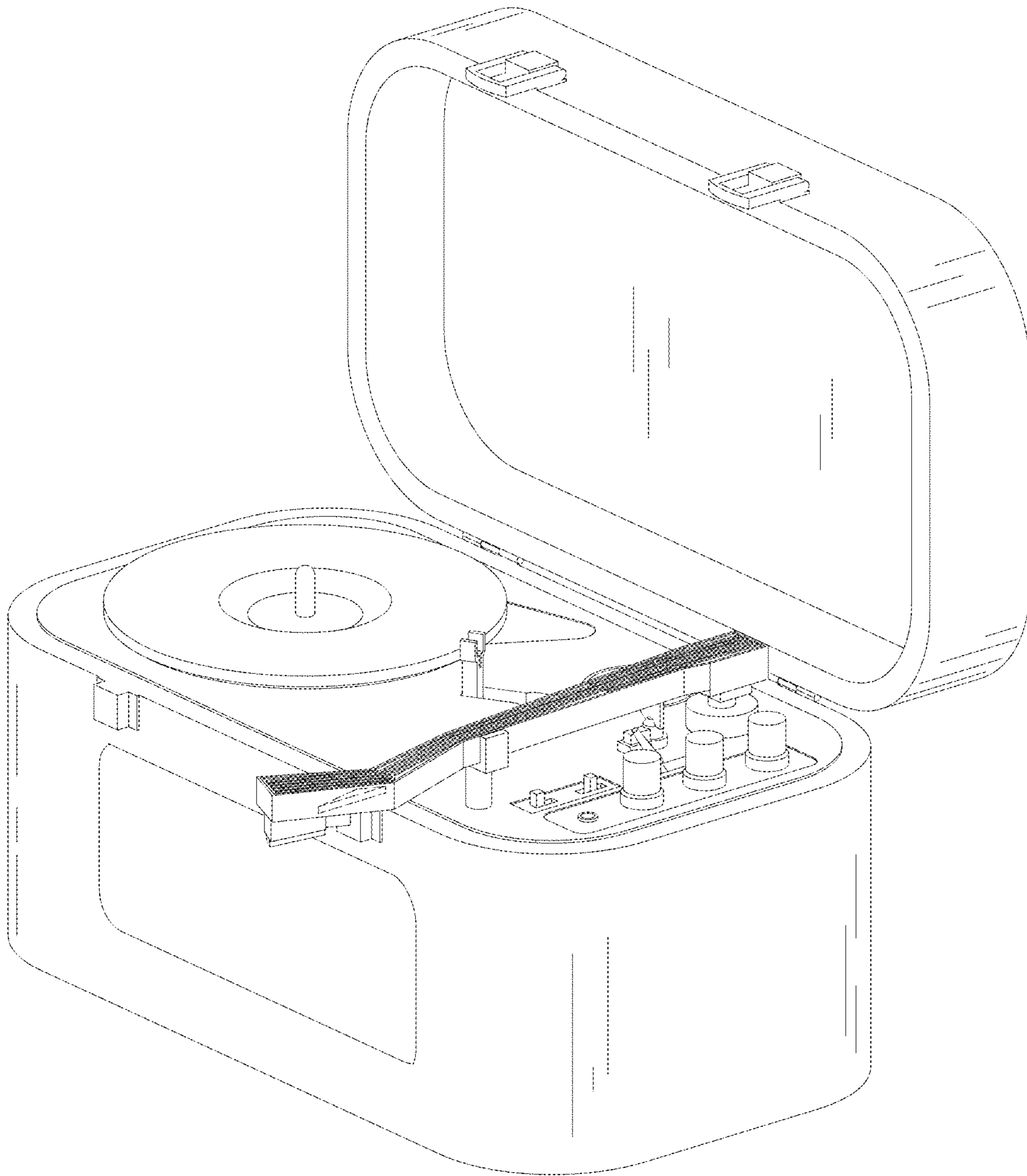


FIG.1

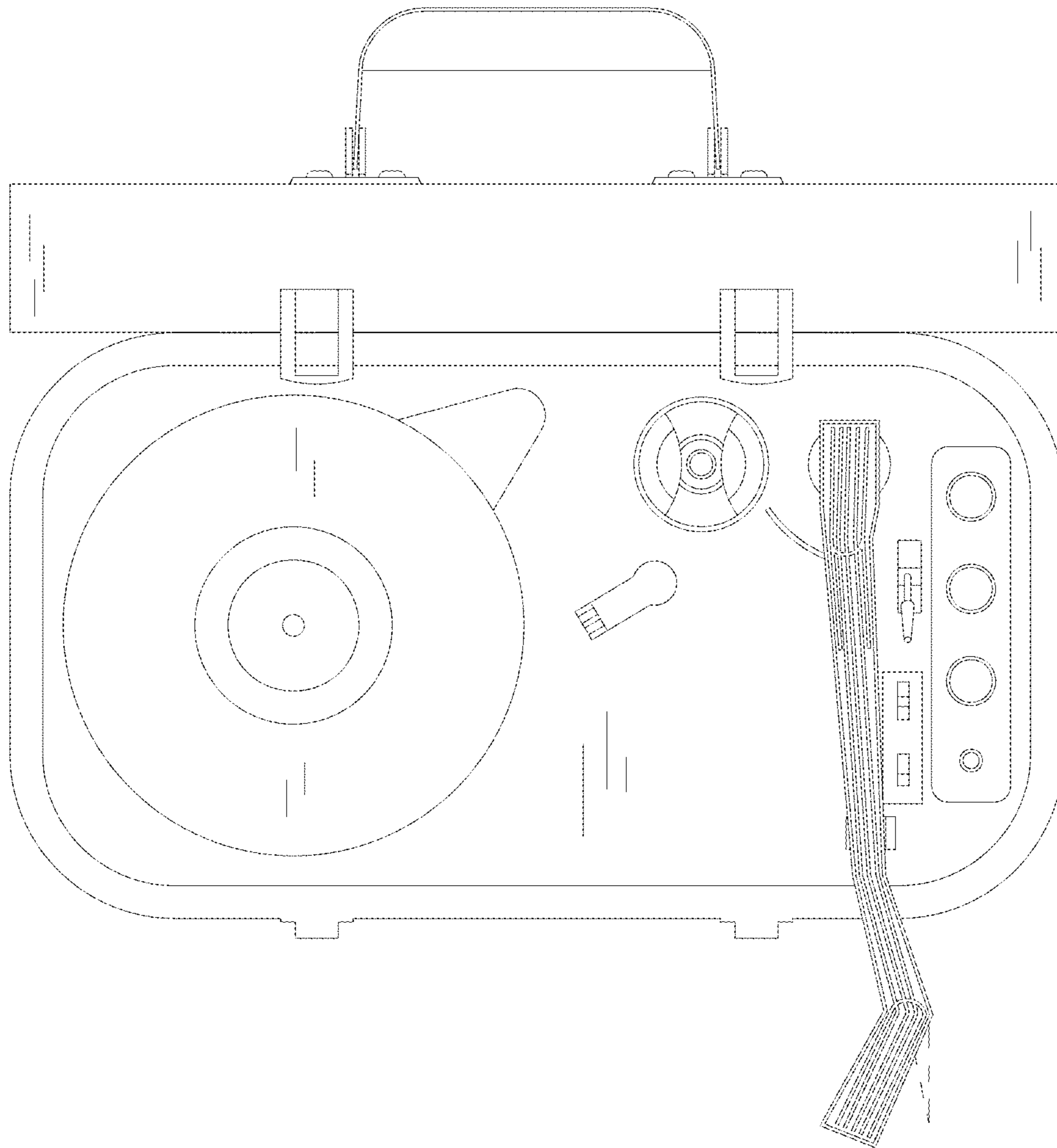


FIG.2

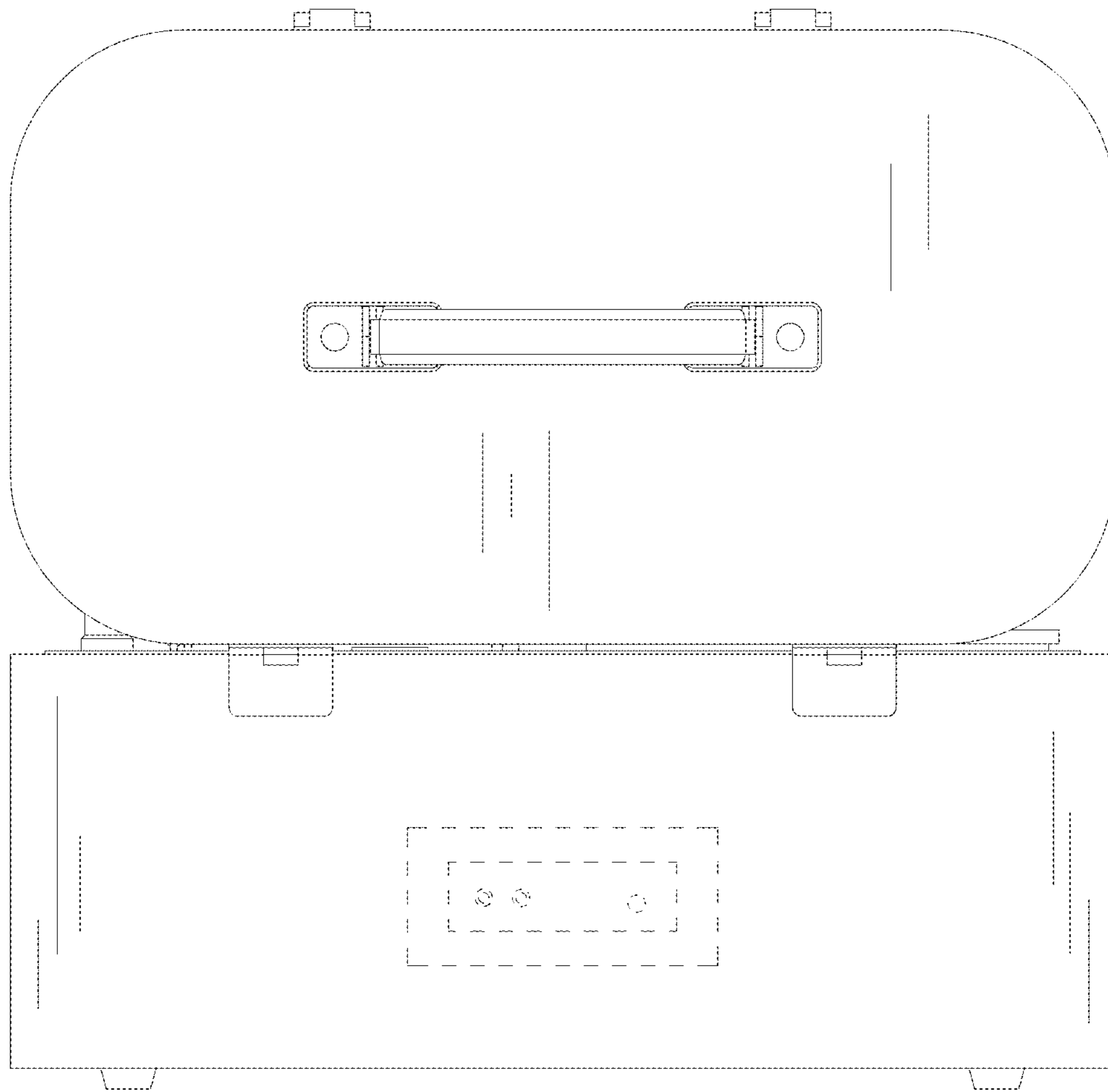


FIG.3

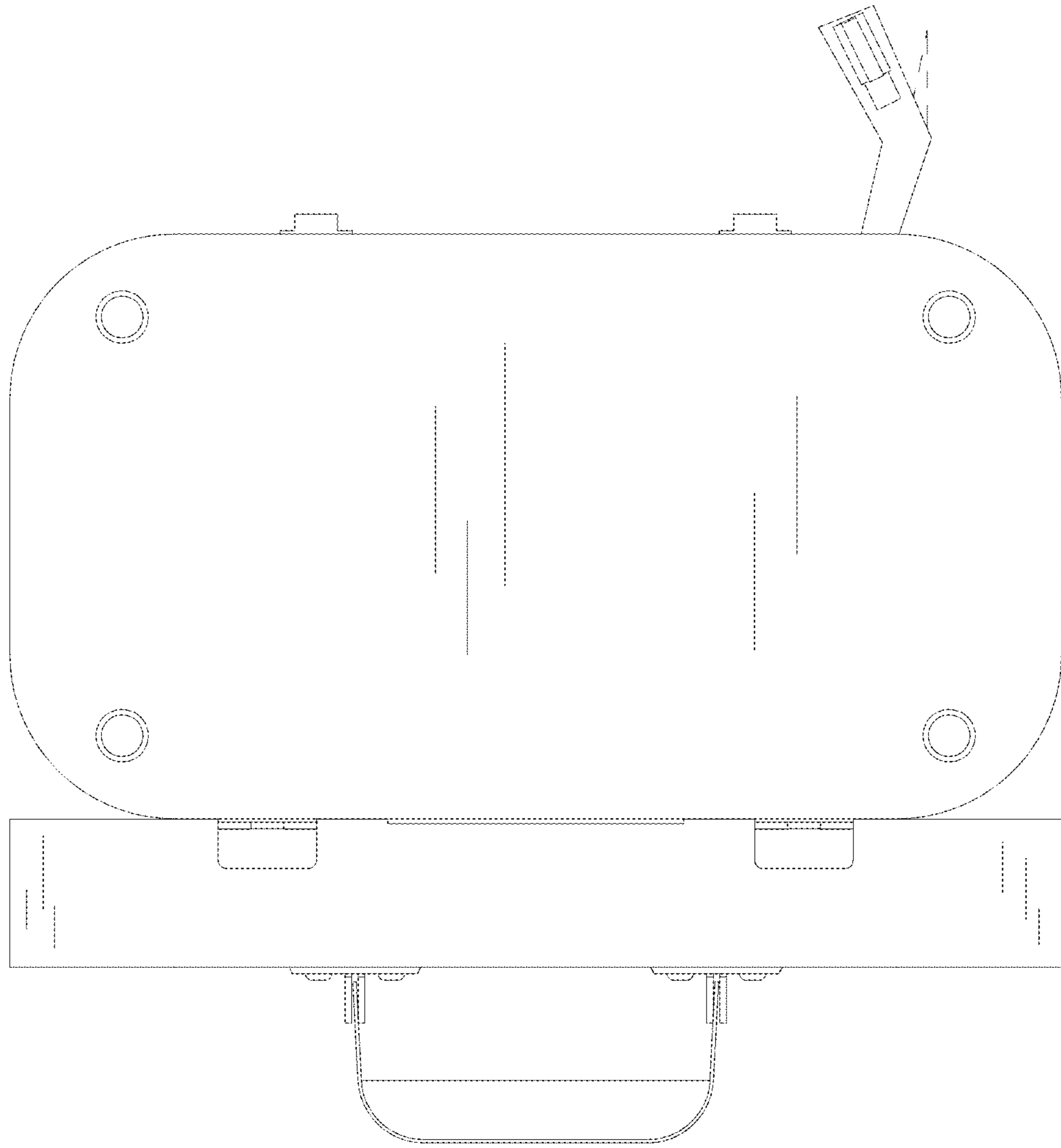


FIG.4

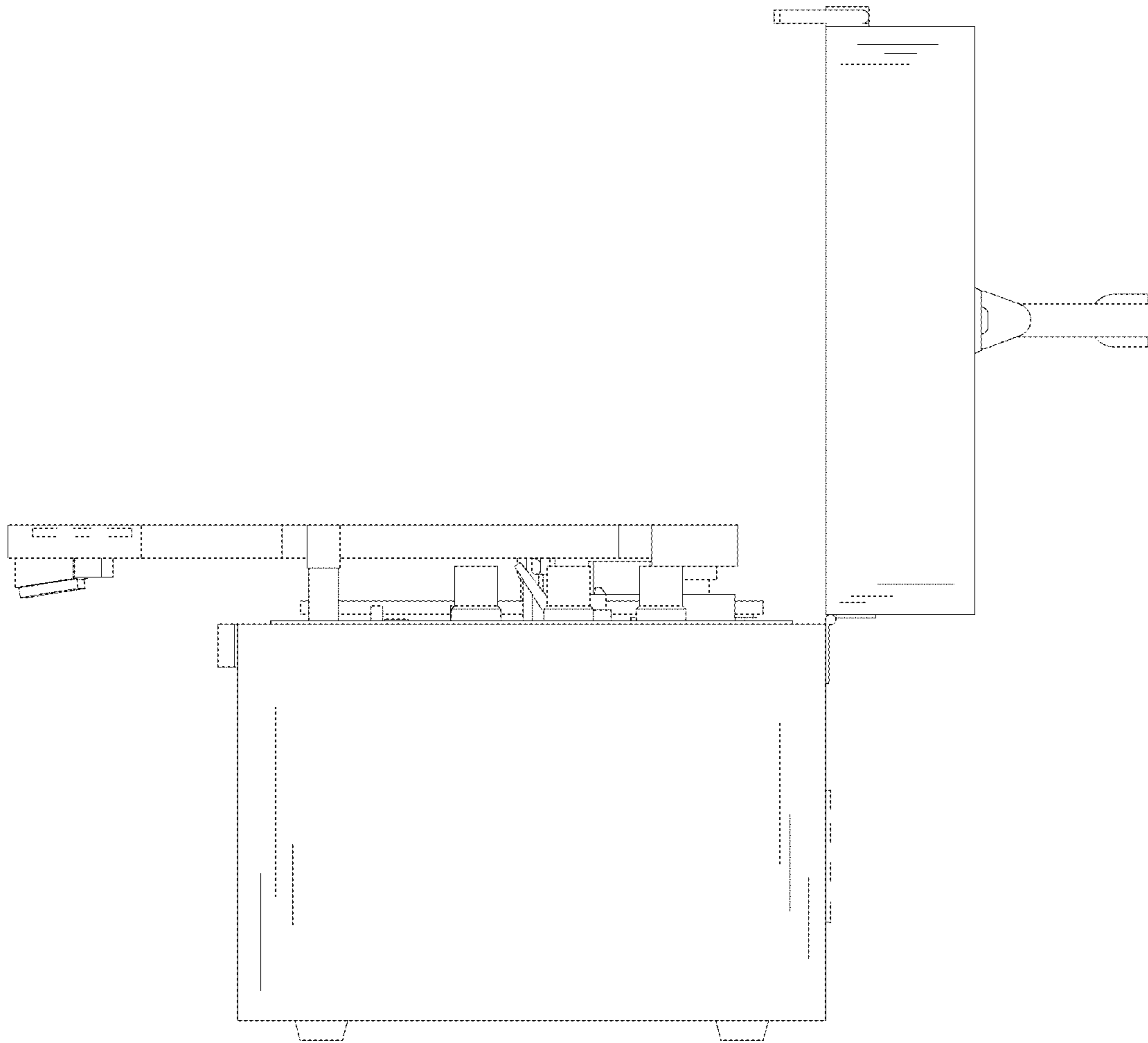


FIG.5

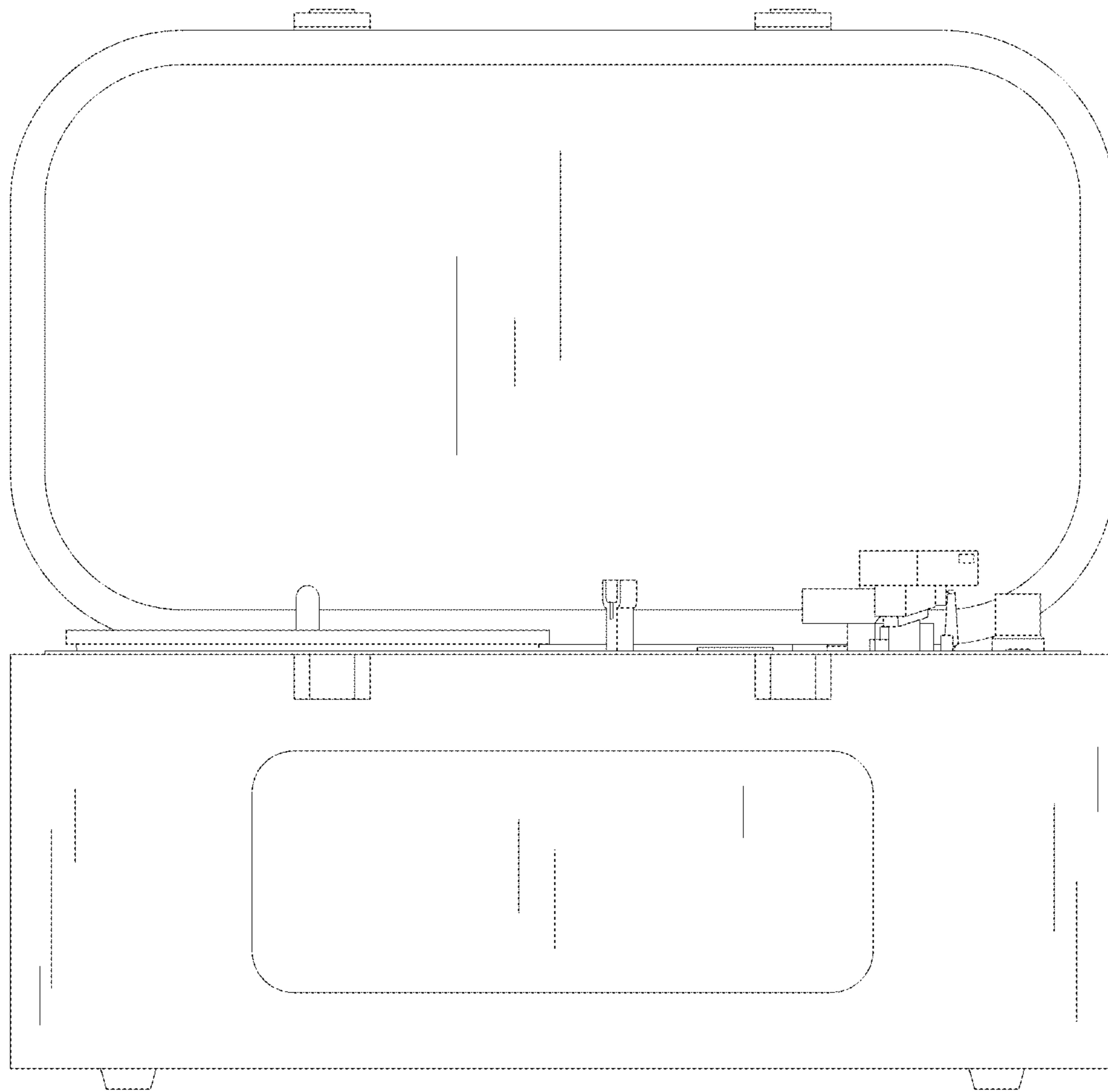


FIG.6

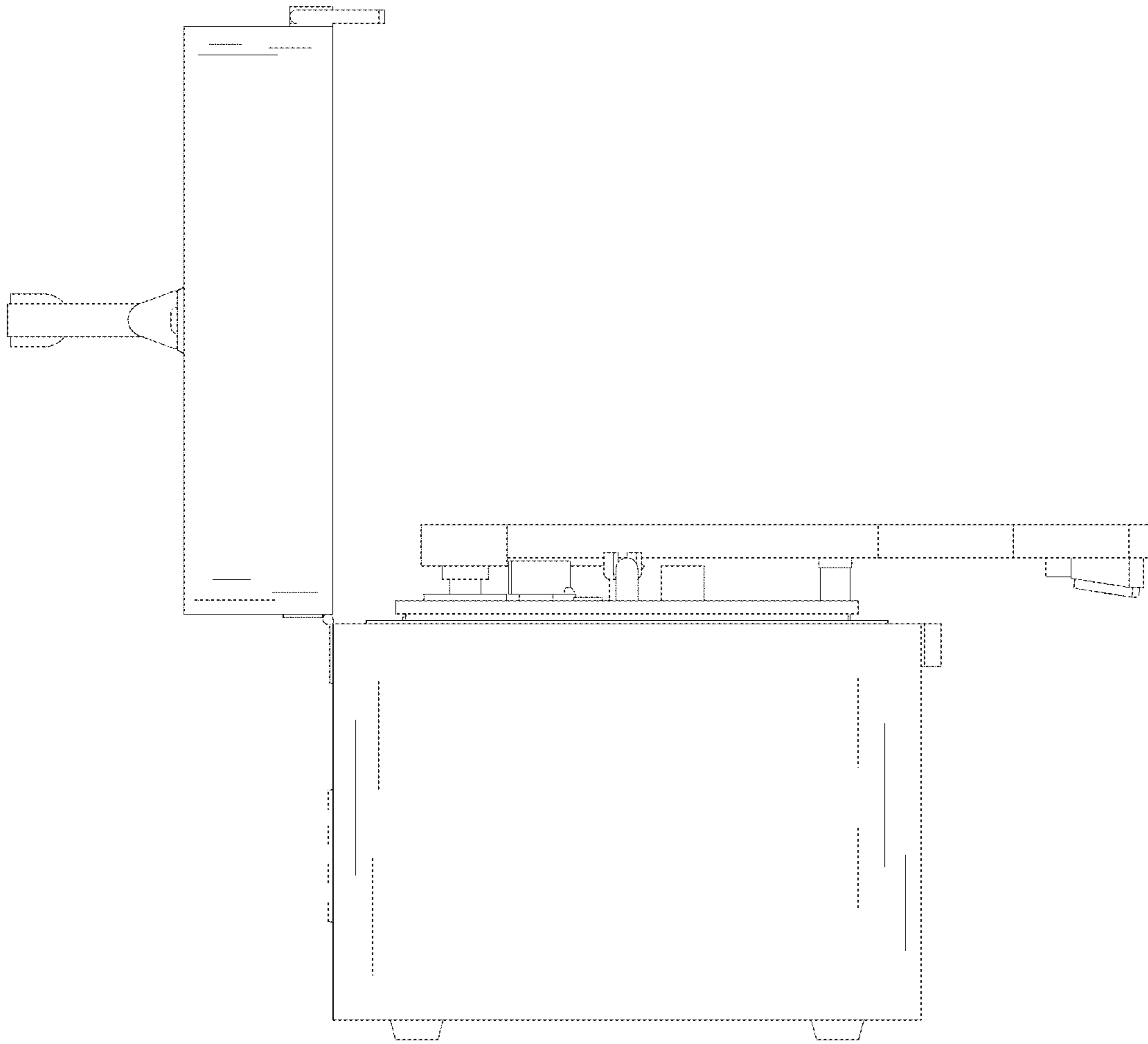


FIG.7