



US00D886762S

(12) **United States Design Patent**
Morris et al.

(10) **Patent No.:** **US D886,762 S**
(45) **Date of Patent:** **** Jun. 9, 2020**

(54) **AMPLIFICATION DEVICE**

(71) Applicant: **Ernest Eugene Morris**, Lakewood, CO (US)
(72) Inventors: **Ernest Eugene Morris**, Lakewood, CO (US); **Philip Meiklejohn**, Lakewood, CO (US)
(73) Assignee: **Ernest Eugene Morris**, Lakewood, CO (US)

(**) Term: **15 Years**

(21) Appl. No.: **29/624,807**

(22) Filed: **Nov. 3, 2017**

(51) **LOC (12) Cl.** **14-03**

(52) **U.S. Cl.**
USPC **D14/188**

(58) **Field of Classification Search**
USPC D14/162, 167-169, 175, 179, 188, D14/194-198, 217, 257, 265, 299, 496
CPC B60R 11/0217; G06F 1/1688; G10K 9/22; G10K 11/004; H03F 1/327; H04M 1/03; H04M 1/035; H04N 5/642; H04N 21/4852; H04R 1/02; H04R 1/06; H04R 1/021; H04R 1/025; H04R 1/026; H04R 1/028; H04R 1/105; H04R 1/323; H04R 1/403; H04R 1/2803; H04R 1/2834; H04R 5/02; H04R 7/20; H04R 9/06; H04R 9/025; H04R 2201/021; H04R 2400/00; H04R 2400/07; H04R 2499/11; H04R 2499/13; H04R 2499/15; H04S 3/00; H04S 7/30

See application file for complete search history.

(56) **References Cited**

U.S. PATENT DOCUMENTS

3,328,537 A 6/1967 Hecht
D258,068 S * 1/1981 Ostrom D14/197
D286,399 S 10/1986 Willy

D401,239 S * 11/1998 Delong D14/191
D478,057 S * 8/2003 Cohen D14/155
D553,122 S * 10/2007 Solland D14/217
D553,123 S * 10/2007 Solland D14/217
D554,108 S * 10/2007 Solland D14/217
D639,784 S 6/2011 Murayama et al.
D671,924 S * 12/2012 Choi D14/239
D697,051 S * 1/2014 Adams D14/209.1
D761,967 S * 7/2016 Tsai D24/186
D789,373 S * 6/2017 King D14/413
D789,374 S 6/2017 King
D798,867 S * 10/2017 Carnevali D14/434

(Continued)

FOREIGN PATENT DOCUMENTS

JP 2016082415 5/2016

OTHER PUBLICATIONS

International Search Report, International Application No. PCT/US2018/058436.

(Continued)

Primary Examiner — Keli L Hill

(74) *Attorney, Agent, or Firm* — Volpe and Koenig, P.C.

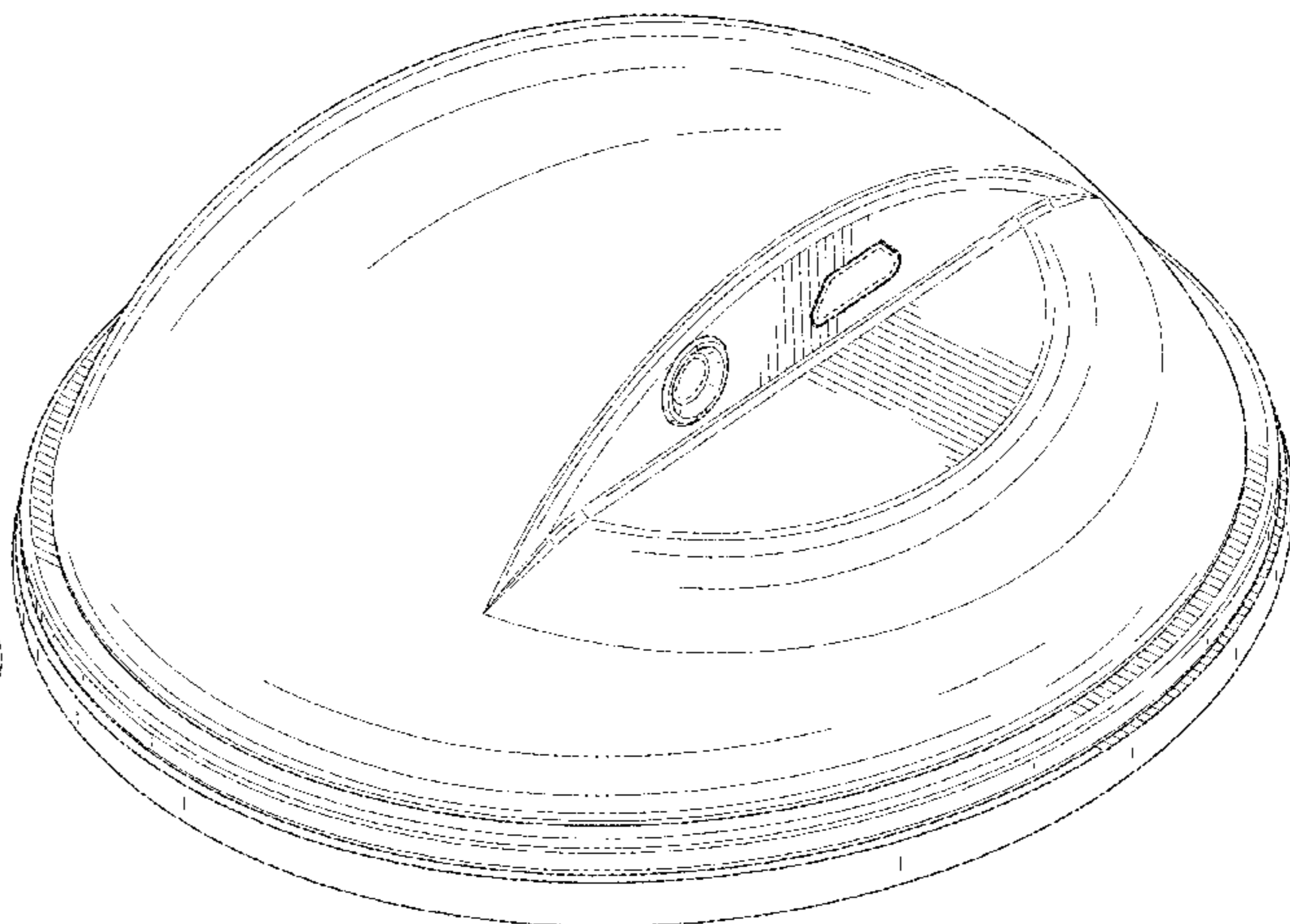
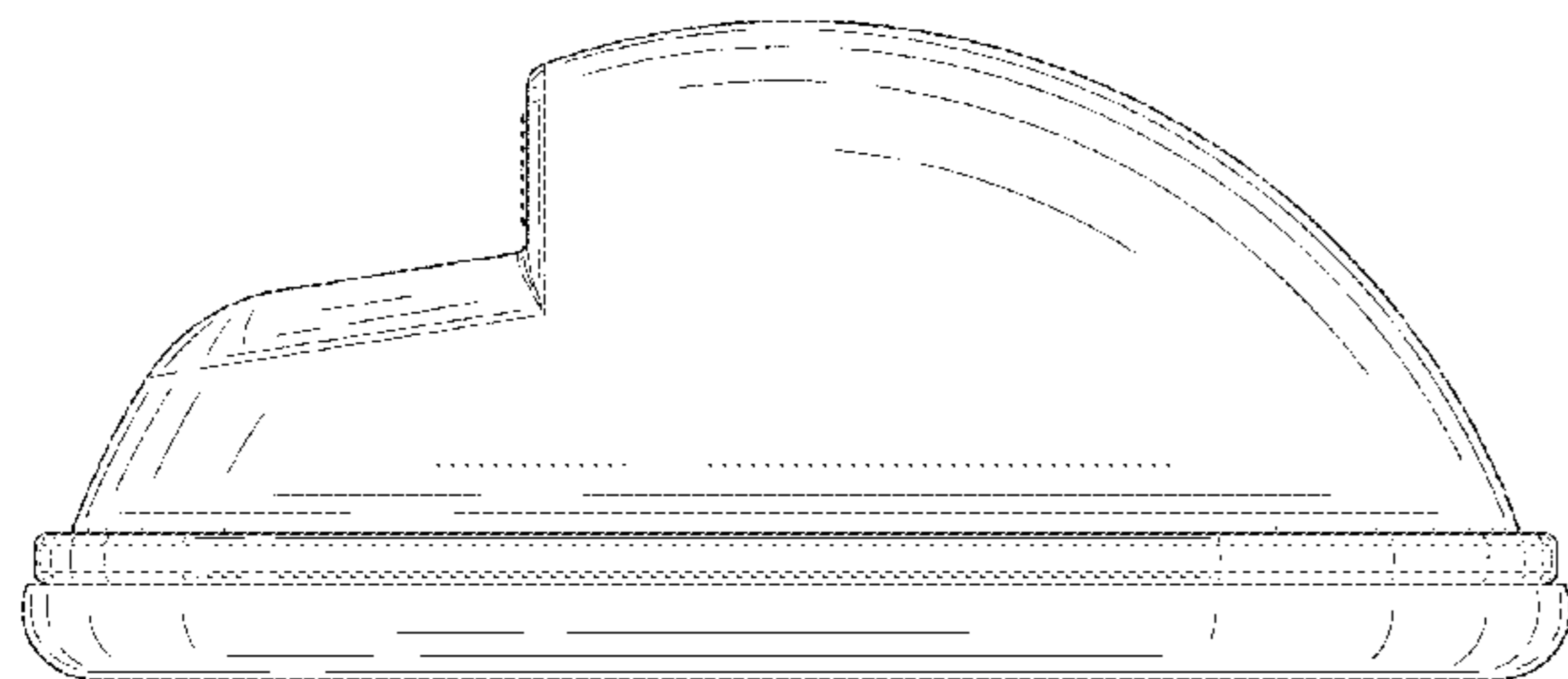
(57) **CLAIM**

The ornamental design for an amplification device, as shown and described.

DESCRIPTION

FIG. 1 is a front view of a first embodiment of an amplification device in accordance with my new design;
FIG. 2 is a rear side view thereof;
FIG. 3 is a left side view thereof;
FIG. 4 is a right view thereof;
FIG. 5 is a top view thereof;
FIG. 6 is a bottom view thereof; and,
FIG. 7 is a perspective view thereof.
The features shown in broken lines in FIG. 6 form no part of the claimed design.

1 Claim, 5 Drawing Sheets



(56)

References Cited

U.S. PATENT DOCUMENTS

D820,238	S	*	6/2018	Boshernitzan	D14/218
D852,190	S	*	6/2019	Haigh	D14/358
D853,382	S	*	7/2019	Haigh	D14/358
D856,961	S	*	8/2019	Suzuki	D14/149
2005/0051019	A1		3/2005	Machida	
2005/0252363	A1		11/2005	Rockett	
2009/0046882	A1		2/2009	Sakurai et al.	
2015/0013526	A1		1/2015	Packouz et al.	

OTHER PUBLICATIONS

Written Opinion, International Application No. PCT/US2018/058436.

* cited by examiner

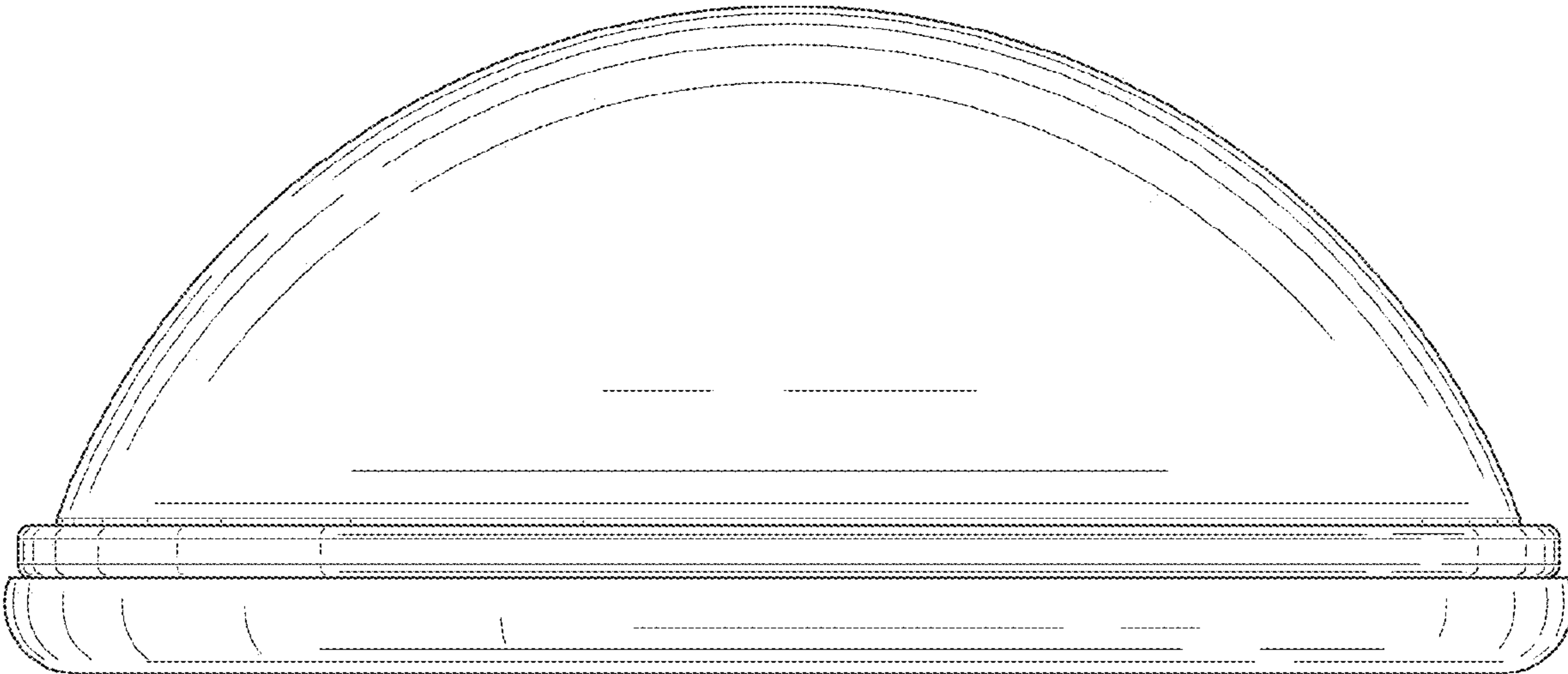


FIG. 1

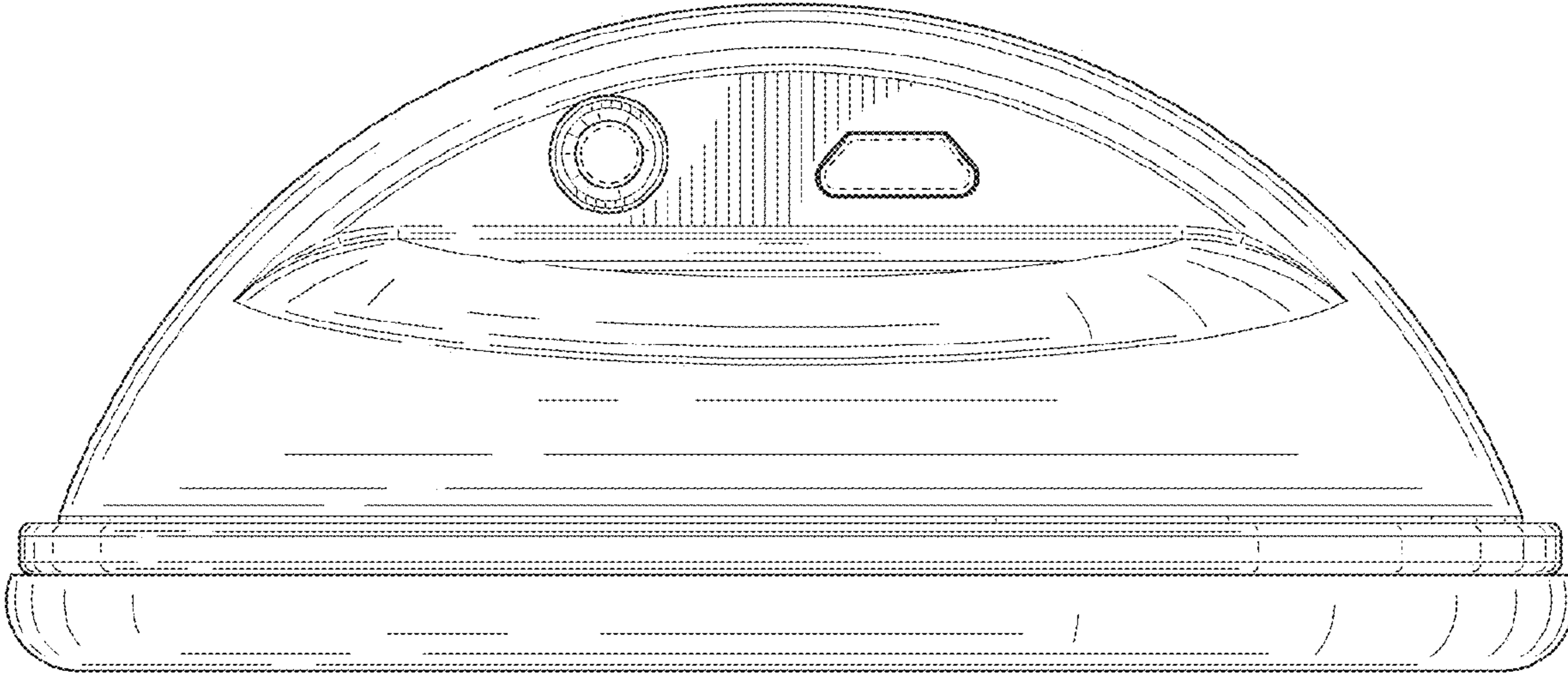


FIG. 2

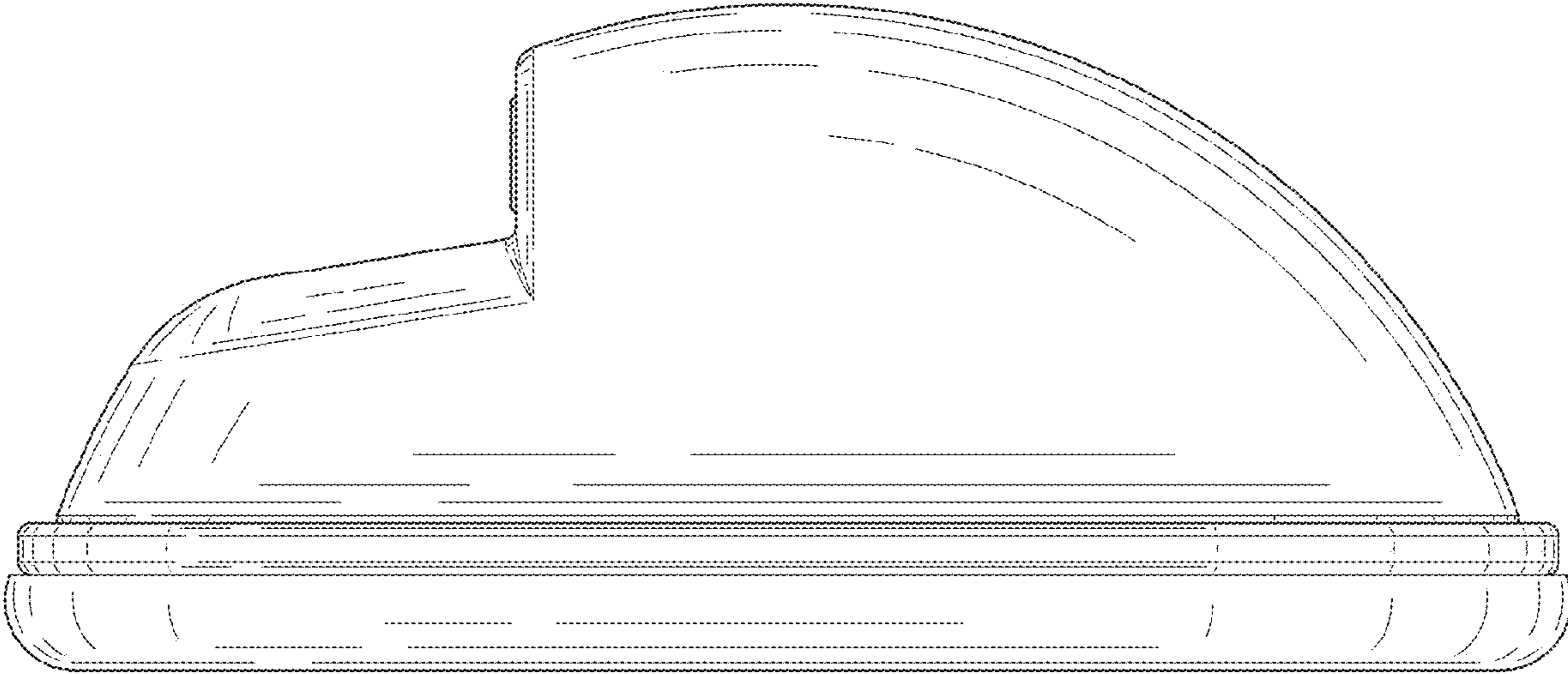


FIG. 3

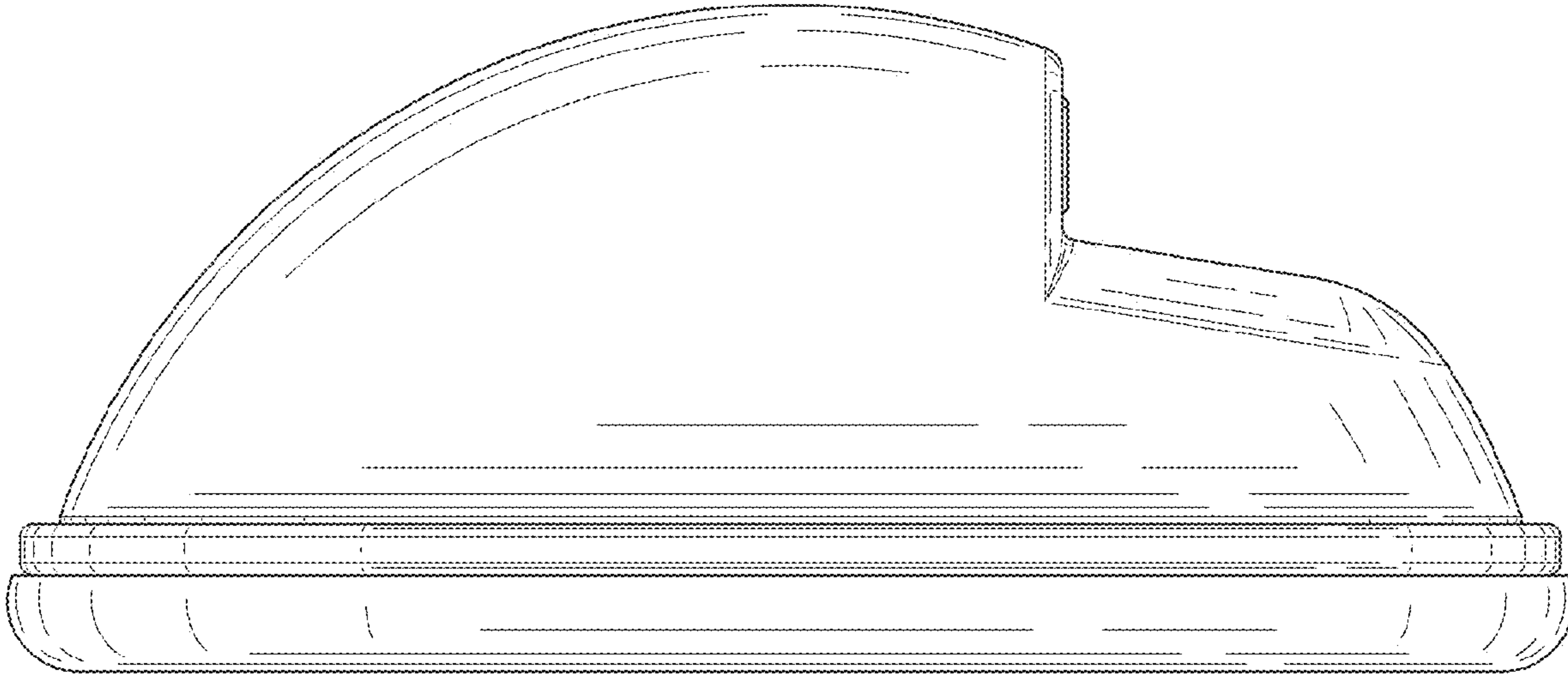


FIG. 4

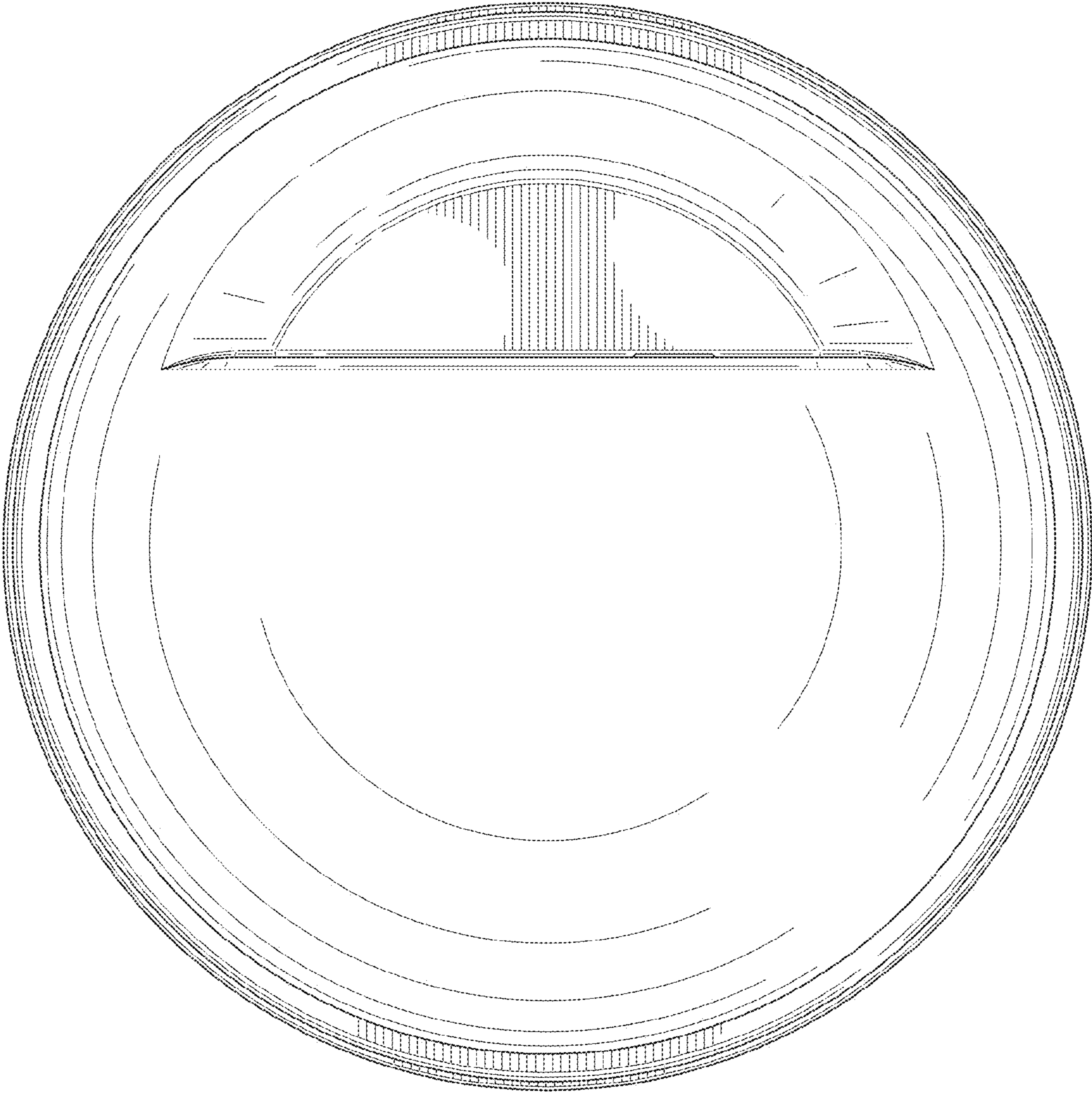


FIG. 5

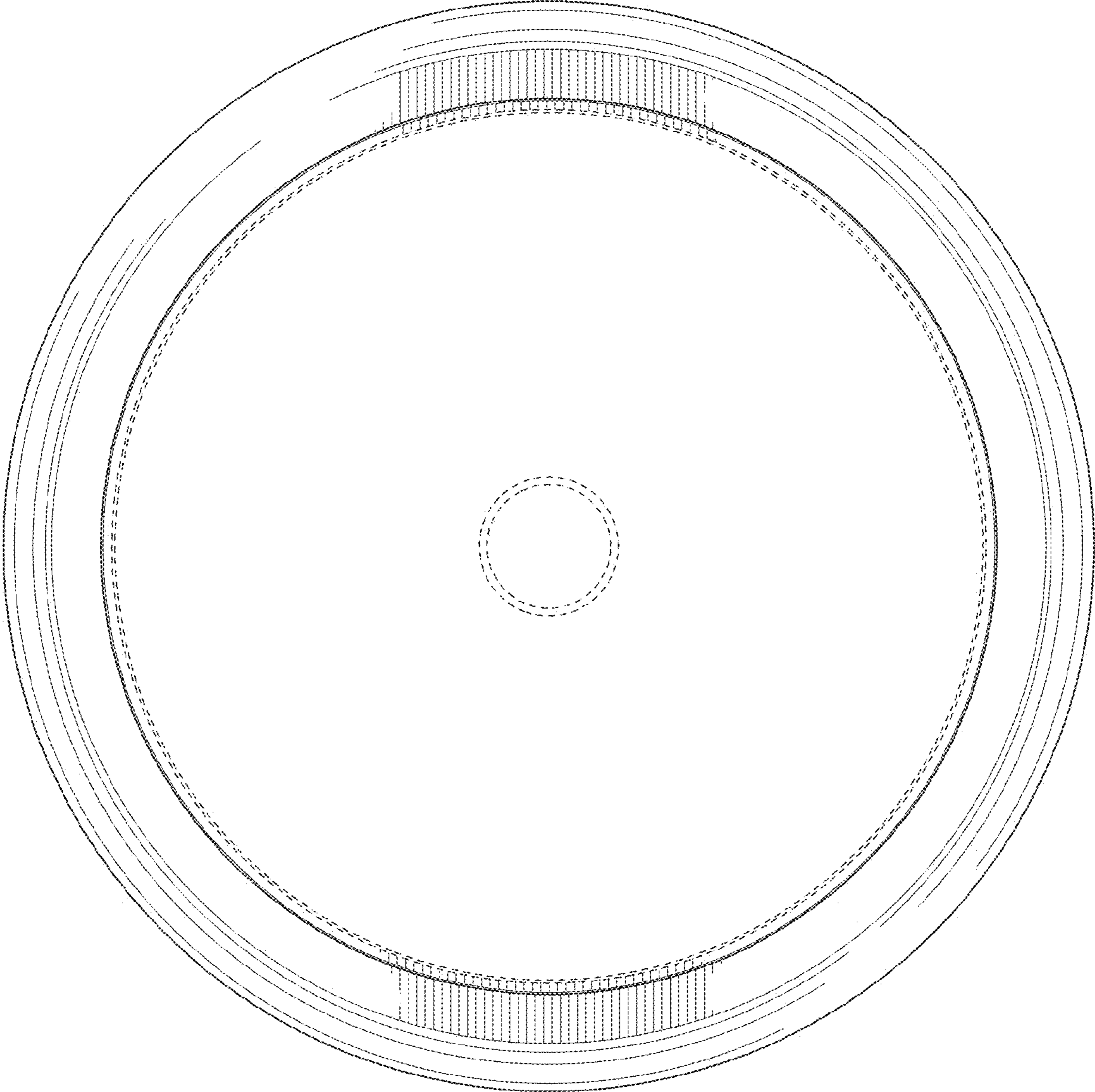


FIG. 6

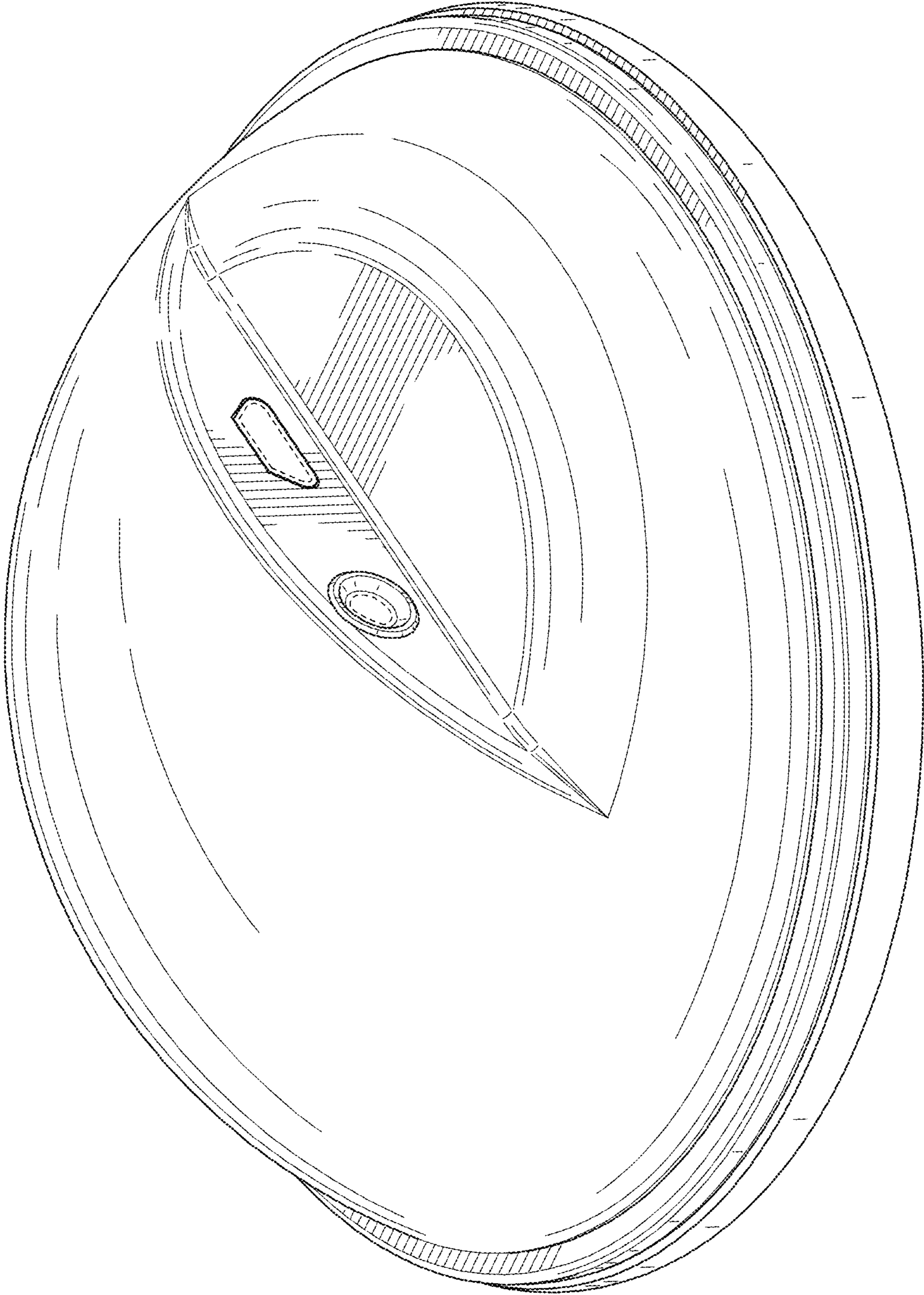


FIG. 7