



US00D886759S

(12) **United States Design Patent**
Bailey

(10) **Patent No.:** **US D886,759 S**
(45) **Date of Patent:** **** Jun. 9, 2020**

- (54) **SPEAKERPHONE**
- (71) Applicant: **Plantronics, Inc.**, Santa Cruz, CA (US)
- (72) Inventor: **Chase Patrick Bailey**, Santa Cruz, CA (US)
- (73) Assignee: **Plantronics, Inc.**, Santa Cruz, CA (US)
- (**) Term: **15 Years**
- (21) Appl. No.: **29/663,304**
- (22) Filed: **Sep. 13, 2018**
- (51) **LOC (12) Cl.** **14-03**
- (52) **U.S. Cl.**
USPC **D14/149**
- (58) **Field of Classification Search**
USPC D14/140, 140.1, 141.1, 142, 144, 147,
D14/149, 150, 155, 168, 172, 204, 206,
D14/209.1, 212, 213, 215, 216, 248, 249,
D14/299, 496, 226, 356, 358, 432, 454,
D14/192, 221, 127-130, 211; D10/104.1,
D10/106.1, 106.3, 106.5
CPC H04M 1/00; H04M 1/026; H04M 1/04;
H04M 1/6033; H04M 1/60041; H04M
3/02; H04M 3/005; H04M 3/56; H04M
3/564; H04M 3/568; H04M 9/02; H04M
9/022; H04M 9/08; H04R 1/00; H04R
1/02; H04R 1/403; H04R 1/406; H04R
27/00
See application file for complete search history.

(56) **References Cited**

U.S. PATENT DOCUMENTS

D264,211 S *	5/1982	Hillmer	D14/150
D292,283 S *	10/1987	Matsuda	D14/212
D315,562 S *	3/1991	Brown	D14/216
D382,823 S *	8/1997	Newland, Jr.	D10/106.5
D412,331 S *	7/1999	Nakamura	D14/155
D412,676 S *	8/1999	Layes	D10/106.6
6,016,346 A *	1/2000	Rittmueller	H04M 1/6033 379/420.02

D430,549 S *	9/2000	Du	D14/141.2
D444,777 S *	7/2001	Bird	D14/150
D474,169 S *	5/2003	Fletcher	D14/159

(Continued)

OTHER PUBLICATIONS

Speakerphones. Design—© Questel) orbit.com. [online PDF] 15 pgs. Print Dates range Sep. 5, 2019 through Sep. 17, 2019 [Retrieved on Oct. 22, 2019] <https://sobjprd.questel.fr/export/QPTUJ214/pdf2/89b2c587-765c-4b46-9925-48aa2d1aa036-233551.pdf>.*

(Continued)

Primary Examiner — Marie D. Fast Horse

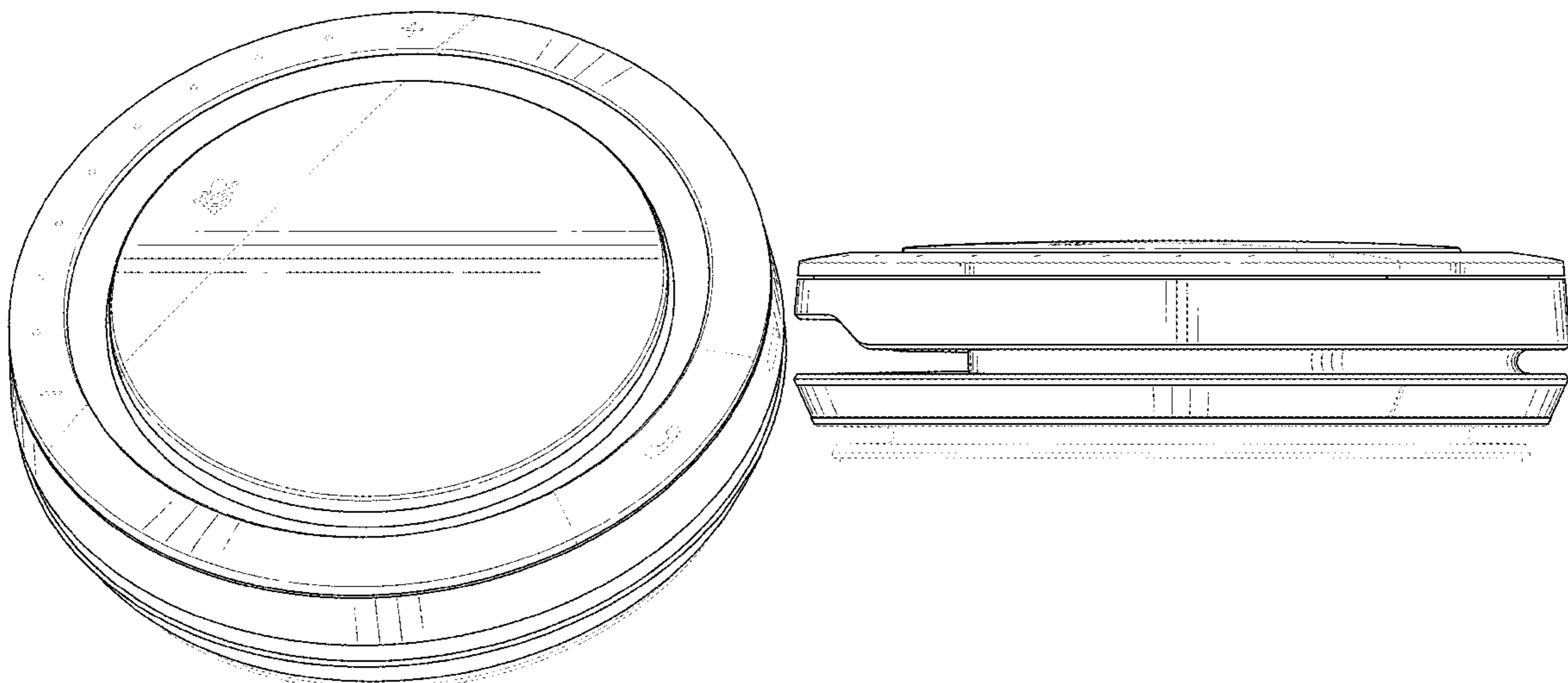
(57) **CLAIM**

The ornamental design for a speakerphone, as shown and described.

DESCRIPTION

FIG. 1 is a front- top perspective view of a speakerphone showing my new design;
 FIG. 2 is a bottom-front-left perspective view thereof;
 FIG. 3 is a front view thereof;
 FIG. 4 is a back view thereof;
 FIG. 5 is a left side view thereof;
 FIG. 6 is a right side view thereof;
 FIG. 7 is a top view thereof;
 FIG. 8 is a bottom view thereof;
 FIG. 9 is a front-top perspective view showing another embodiment of the speakerphone;
 FIG. 10 is a bottom-front-left perspective view thereof;
 FIG. 11 is a front view thereof;
 FIG. 12 is a back view thereof;
 FIG. 13 is a left side view thereof;
 FIG. 14 is a right side view thereof;
 FIG. 15 is a top view thereof; and,
 FIG. 16 is a bottom view thereof.
 The broken lines in the drawings depict portions of the speakerphone that form no part of the claimed design.

1 Claim, 16 Drawing Sheets



(56)

References Cited

U.S. PATENT DOCUMENTS

- D481,370 S * 10/2003 Popowski D14/150
D495,676 S * 9/2004 Slevin D14/150
D510,571 S * 10/2005 Cutler D14/125
D514,095 S * 1/2006 Wilson D14/223
D536,327 S * 2/2007 Lukic D14/150
D537,072 S * 2/2007 Kim D14/215
D557,248 S * 12/2007 Wada D14/150
D560,209 S * 1/2008 Kim D14/215
D566,682 S * 4/2008 Marash D14/149
D568,304 S * 5/2008 Park D14/240
D584,295 S * 1/2009 Kellar D14/228
D591,269 S * 4/2009 Kim D14/216
D596,622 S * 7/2009 Lee D14/218
D598,003 S * 8/2009 Park D14/149
D602,911 S * 10/2009 Wang D14/216
D606,517 S * 12/2009 Nousiainen D14/216
D656,130 S * 3/2012 Bailey D14/227
D660,732 S * 5/2012 Bould D10/49
D677,646 S * 3/2013 Kellar D14/149
D682,805 S * 5/2013 Rath D14/149
8,761,413 B2 * 6/2014 Ishibashi H04R 1/406
381/92
D710,329 S * 8/2014 Holzer D14/216
D711,345 S * 8/2014 Liu D14/140
D725,034 S * 3/2015 Chen D13/108
D728,507 S * 5/2015 Brandis D14/149
D731,996 S * 6/2015 Border D14/150
D743,379 S * 11/2015 Kim D14/215
D743,819 S * 11/2015 Golnik D10/70
D752,014 S * 3/2016 Bolmstrand D14/204
D753,832 S * 4/2016 Lin D24/186
D757,014 S * 5/2016 Hahn D13/108
D771,512 S * 11/2016 Kalyan D10/106.5
D773,332 S * 12/2016 Kalyan D10/106.5
D780,727 S * 3/2017 Wang D14/223
D782,441 S * 3/2017 Morrison D14/204
D784,963 S * 4/2017 Saule D14/228
D792,468 S * 7/2017 Langhammer D14/203.3
D796,355 S * 9/2017 Cho D10/70
D797,704 S * 9/2017 Fischer D14/216
9,793,869 B1 * 10/2017 Snyder H04M 1/03
D804,533 S * 12/2017 Mangum D14/496
D810,045 S * 2/2018 Kim D14/204
D811,361 S * 2/2018 Peng D14/149
D814,436 S * 4/2018 Wen D14/150
D815,149 S * 4/2018 Langhammer D14/496
D816,052 S * 4/2018 Pallakoff D14/137
D819,600 S * 6/2018 Jeon D14/216
D820,238 S * 6/2018 Boshemitzan D14/218
D820,318 S * 6/2018 Mullins D14/496
D822,717 S * 7/2018 Lim D14/496
D825,549 S * 8/2018 Lebovitz D14/253
D829,684 S * 10/2018 Hardi D14/204
D829,690 S * 10/2018 Chen D14/216
D834,567 S * 11/2018 Snyder D14/228
D836,610 S * 12/2018 Yoon D14/216
D839,189 S * 1/2019 Miller D13/108
D845,258 S * 4/2019 D'Ambrosio D14/125
D845,924 S * 4/2019 Pedersen D14/149
D849,704 S * 5/2019 Kim D14/137
D855,583 S * 8/2019 Capecelatro D14/216
D856,961 S * 8/2019 Suzuki D14/149
D857,540 S * 8/2019 Kristensson D10/106.1
D859,350 S * 9/2019 Pedersen D14/149
D859,363 S * 9/2019 Chalabi D14/216
D859,364 S * 9/2019 Chalabi D14/216
D862,417 S * 10/2019 Chalabi D14/216
D862,418 S * 10/2019 Distefano D14/216
D866,518 S * 11/2019 Ding D14/216
2012/0224714 A1 * 9/2012 Couse H04R 1/406
381/92
2013/0028457 A1 * 1/2013 Yeh H04R 1/10
381/334
2015/0339896 A1 * 11/2015 Stagg G08B 17/113
340/521
2019/0028590 A1 * 1/2019 Grossen H04M 1/6033
2019/0089839 A1 * 3/2019 Ukai H04M 19/04

OTHER PUBLICATIONS

Plantronics Calisto 3200 Portable Personal Speakerphone with 360 Audio. [online] 8 pgs. Listed Jan. 29, 2019. [Retrieved on Oct. 22, 2019] <https://www.amazon.com/Plantronics-Calisto-Portable-Personal-Speakerphone/dp/B07MM6JXDT>.*

Unkonwn, "Jabra Speak 710 User Manual," found at URL <https://www.jabra.com/_/media/Jabra_VXi_Product-Docummentation/Jabra-speak-710/User-Manual/Jabra-Speak-710-User-manual-RevB-EN.pdf>, 25 pages, 2017.

* cited by examiner

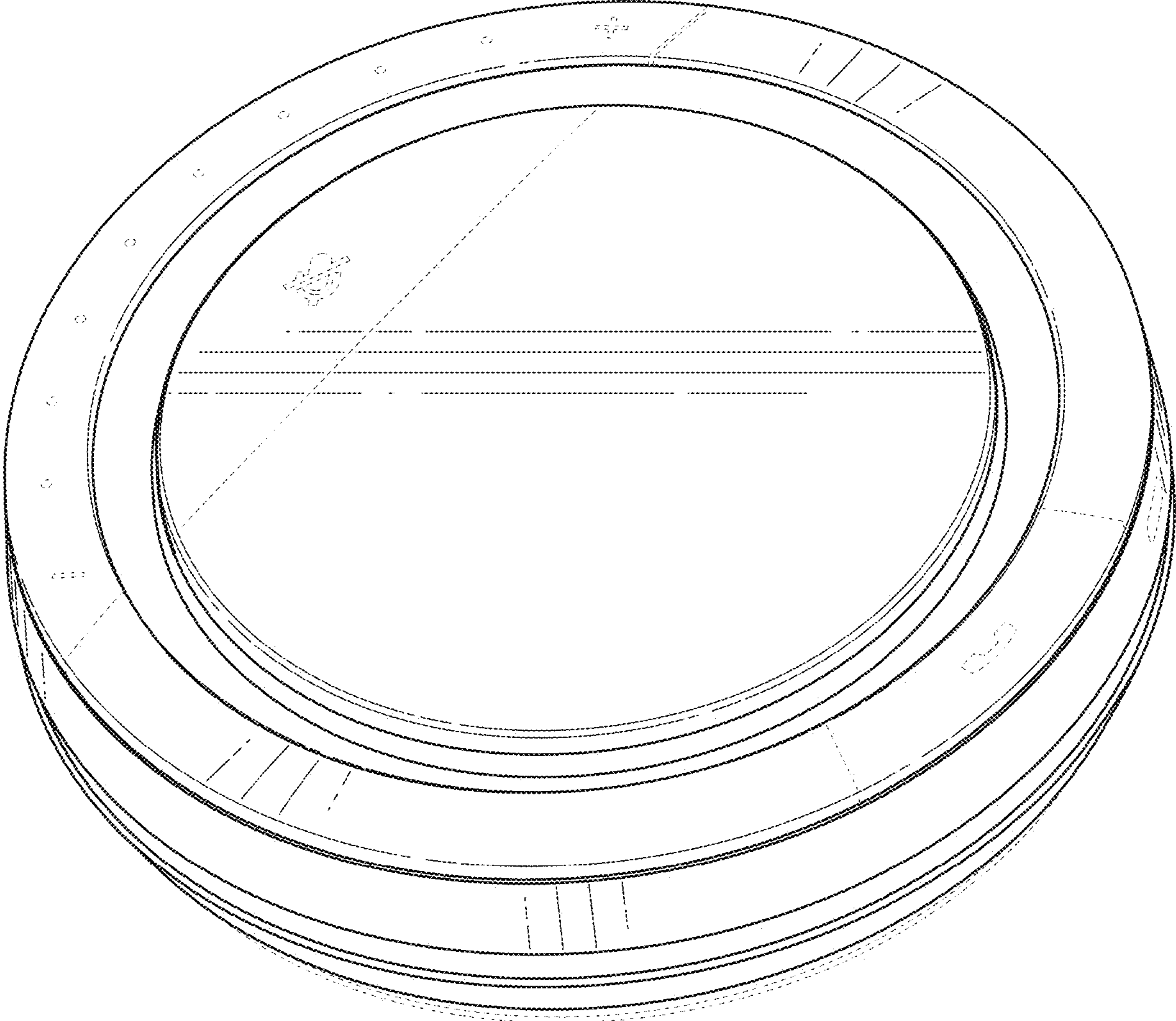


FIG. 1

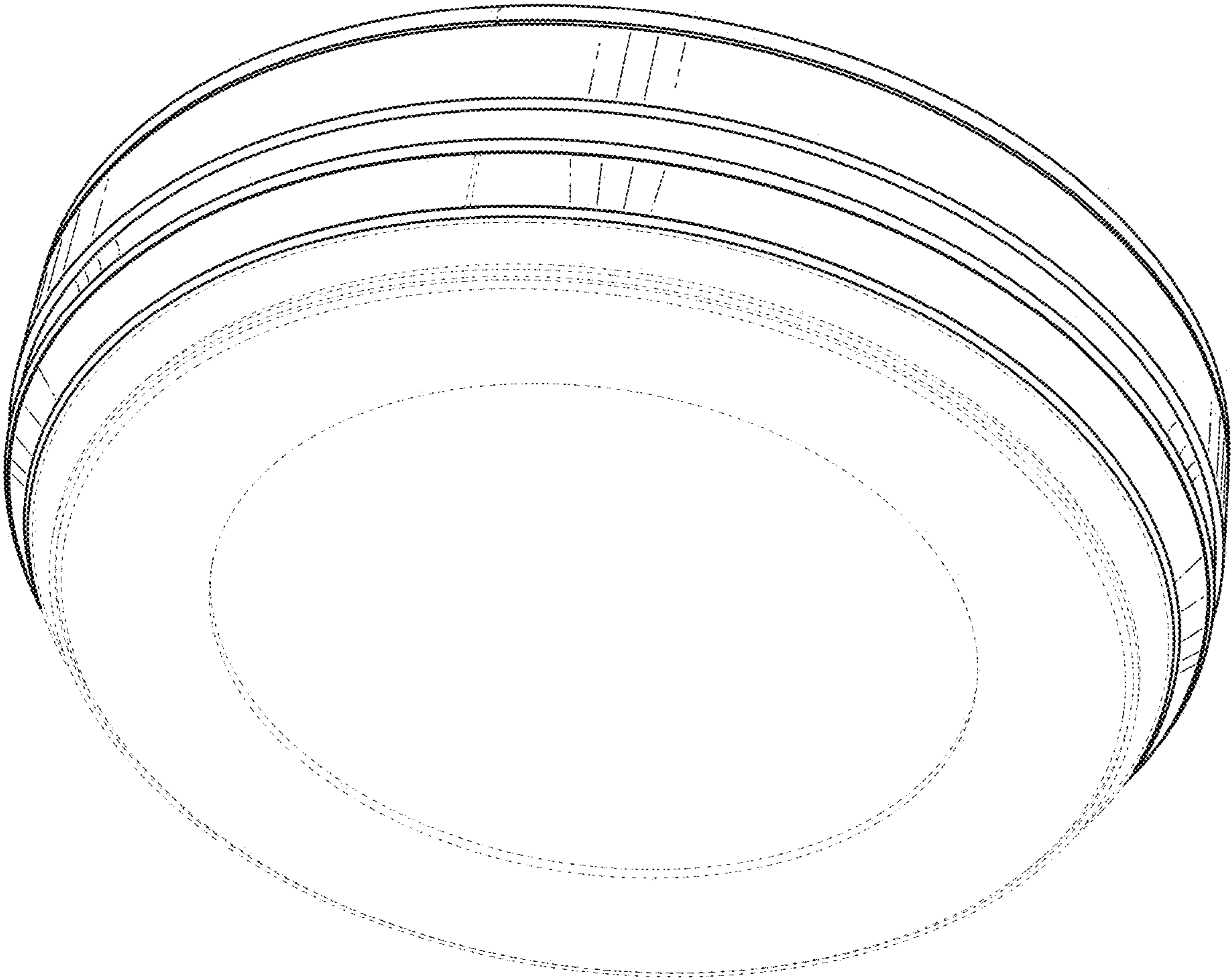


FIG. 2

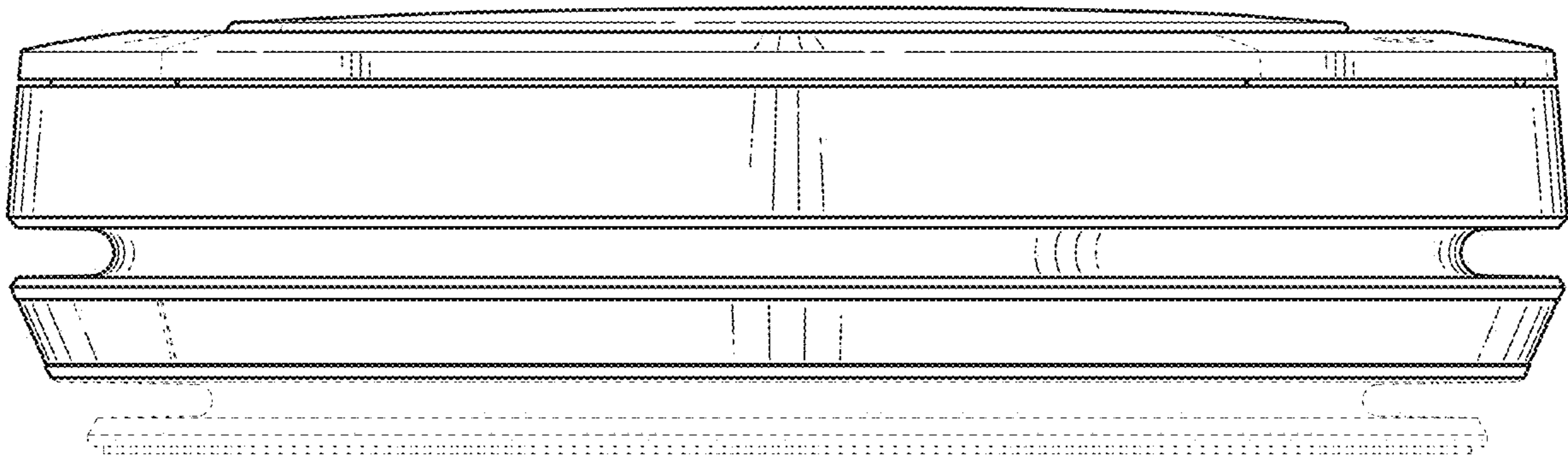


FIG. 3

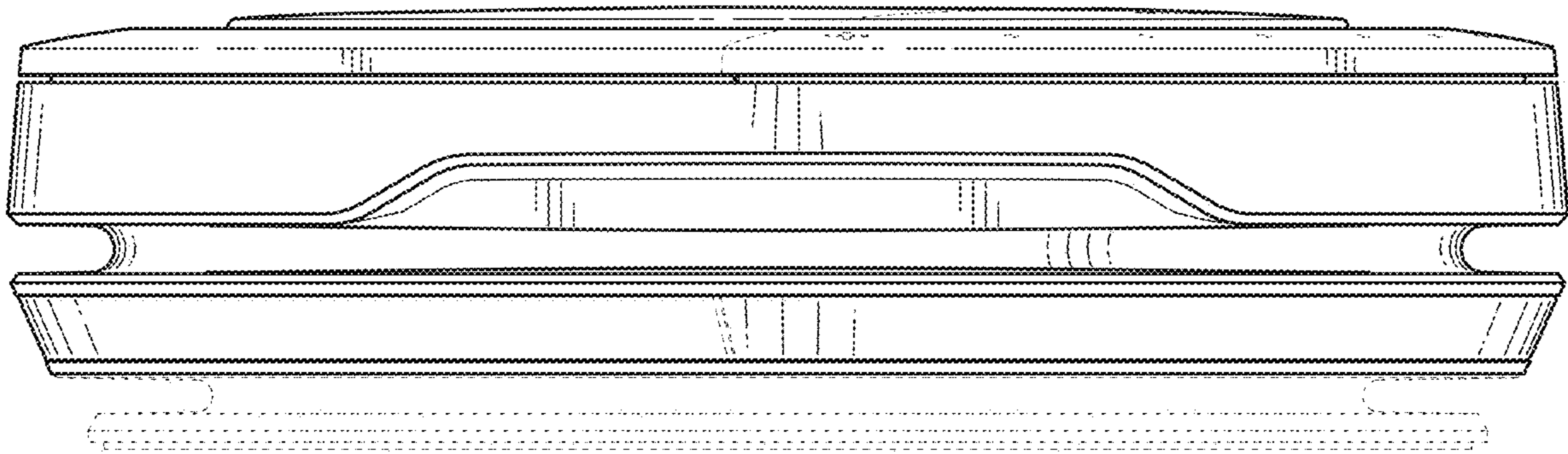


FIG. 4

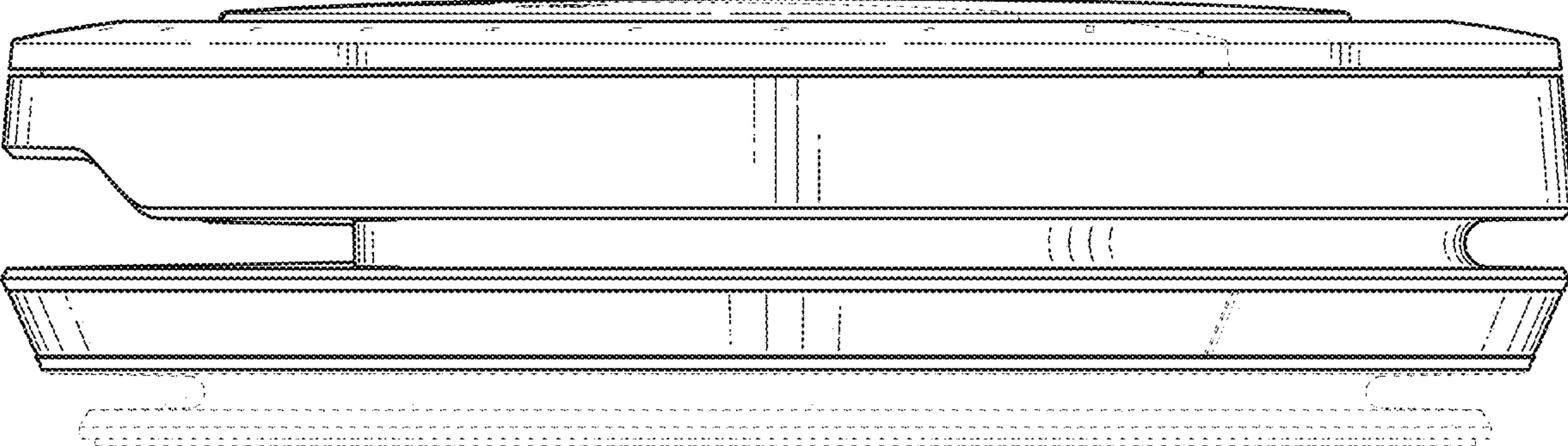


FIG. 5

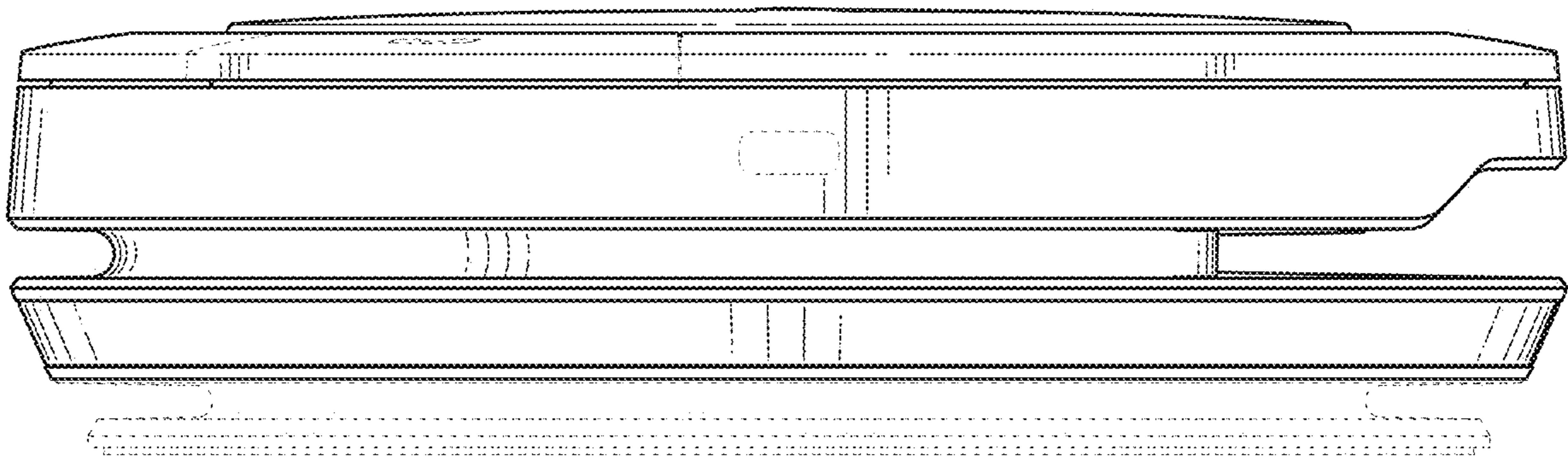


FIG. 6

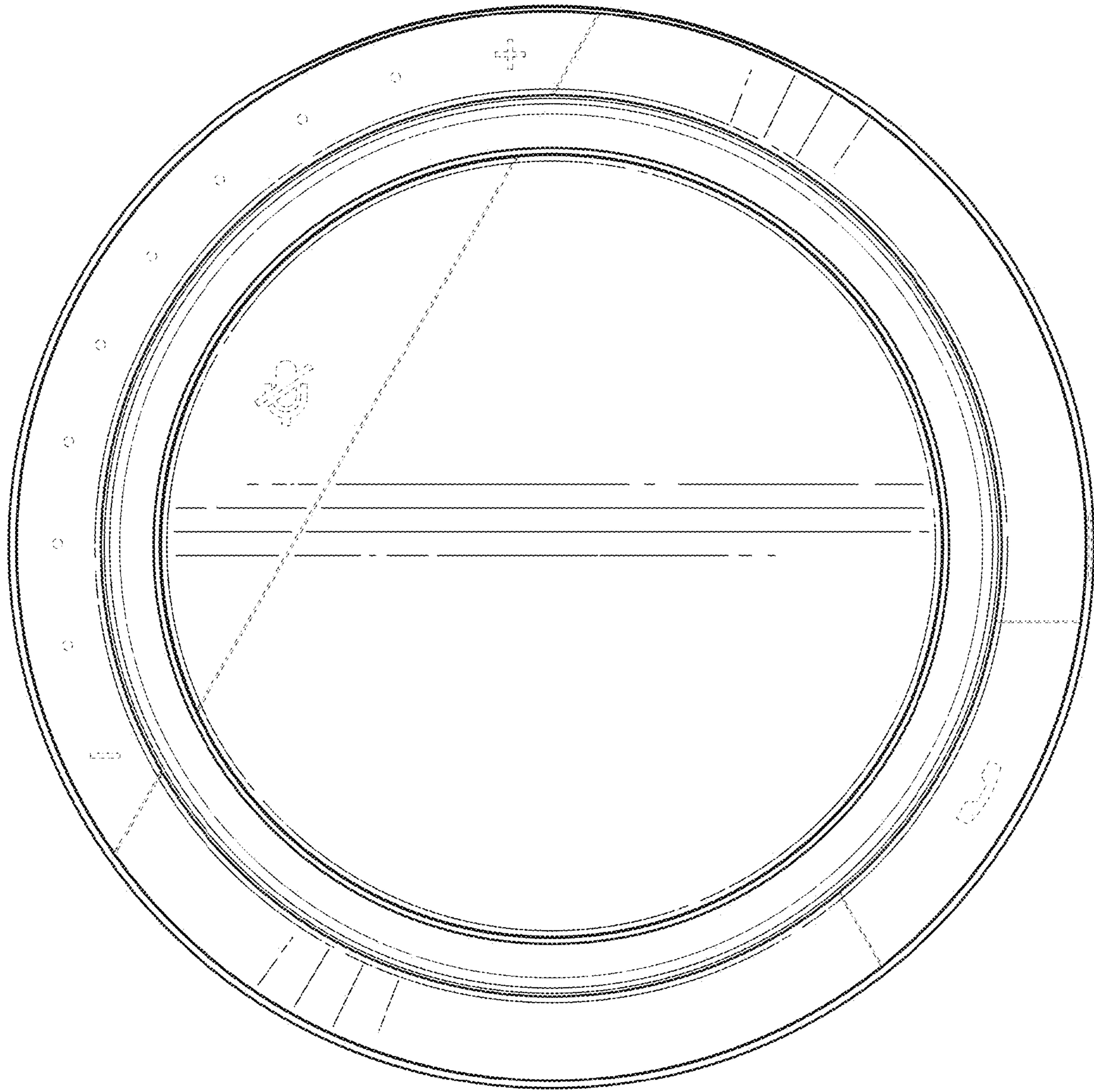


FIG. 7

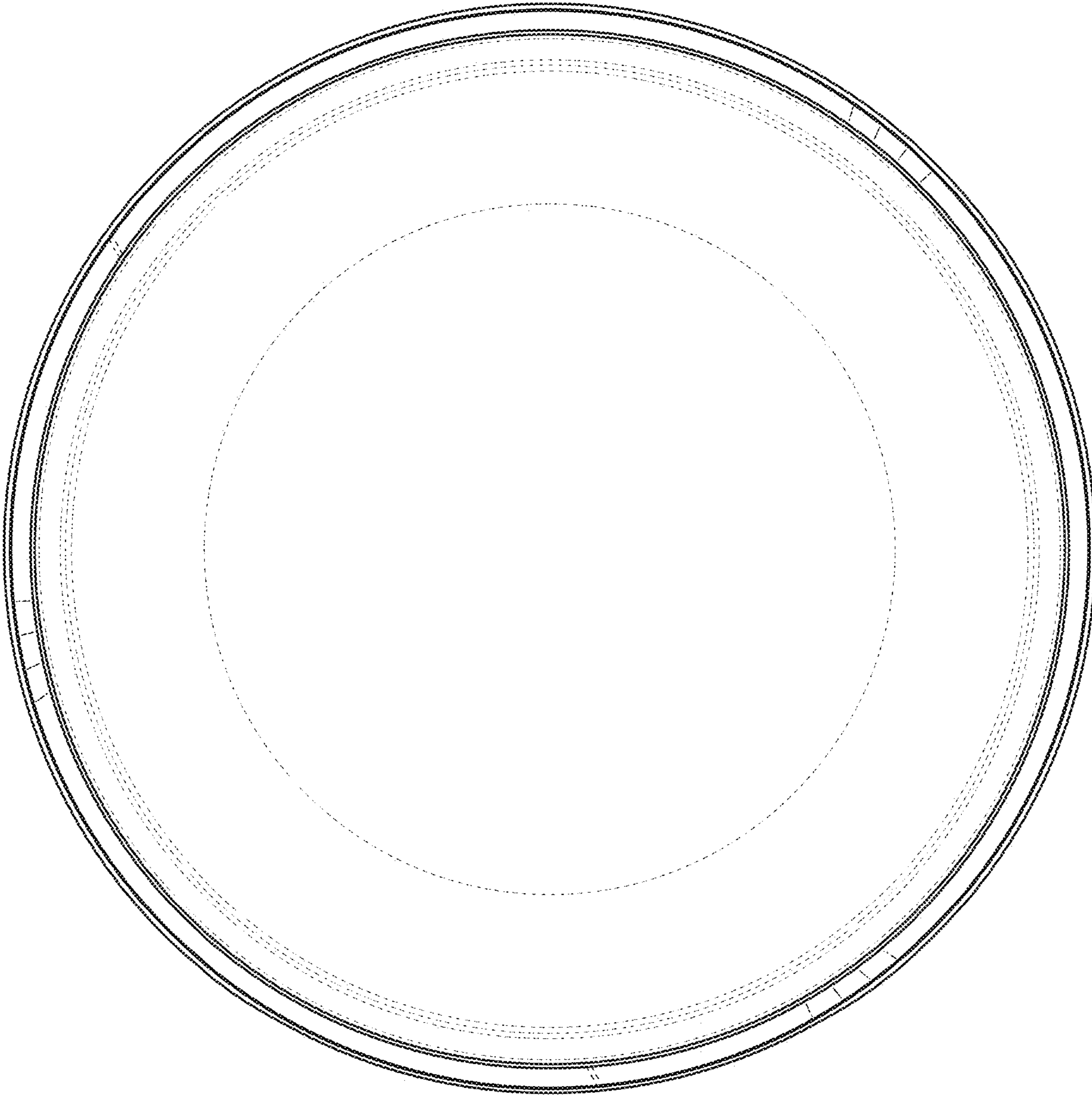


FIG. 8

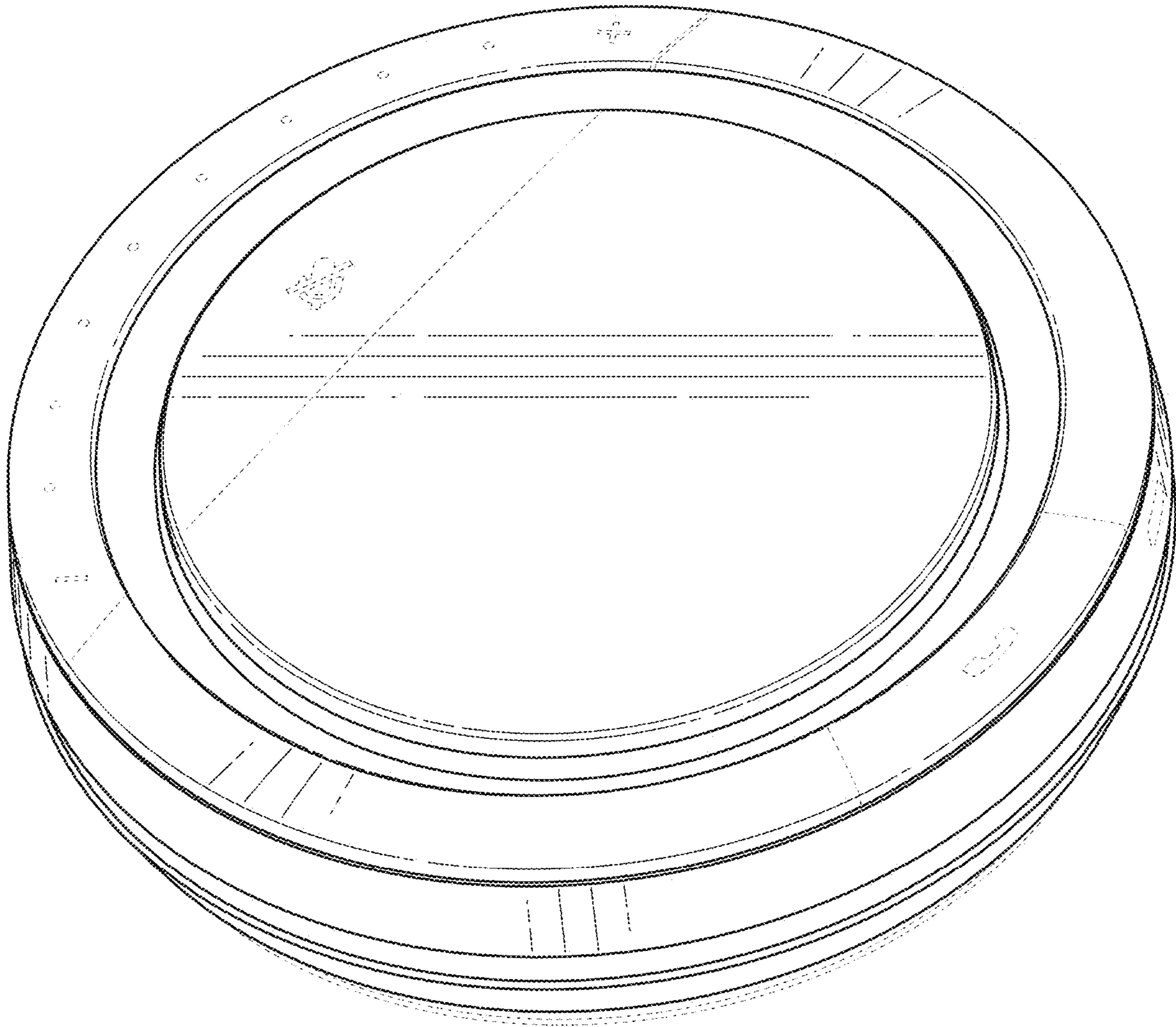


FIG. 9

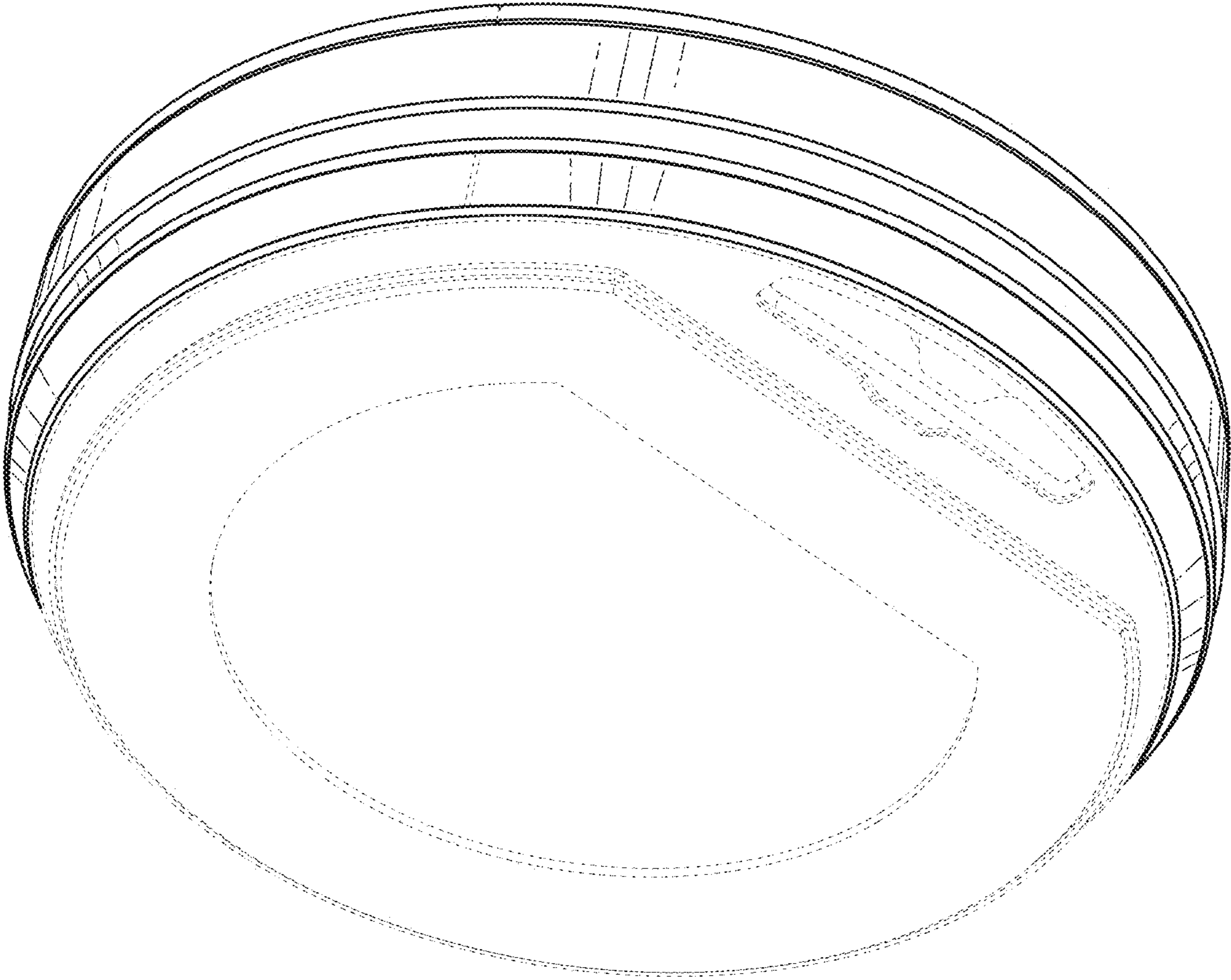


FIG. 10

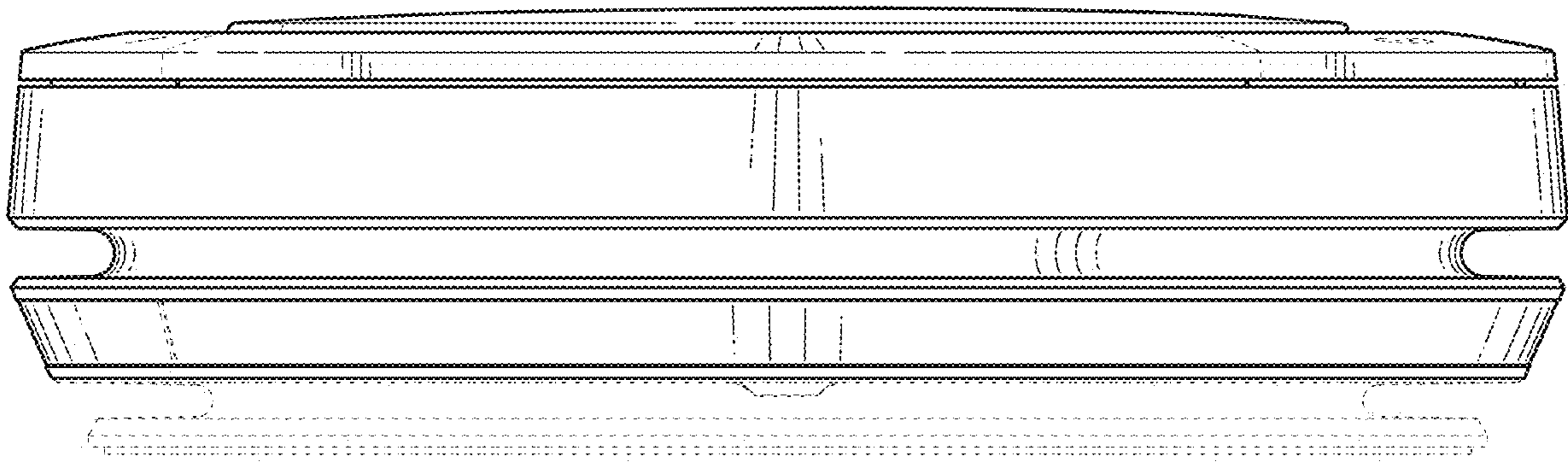


FIG. 11

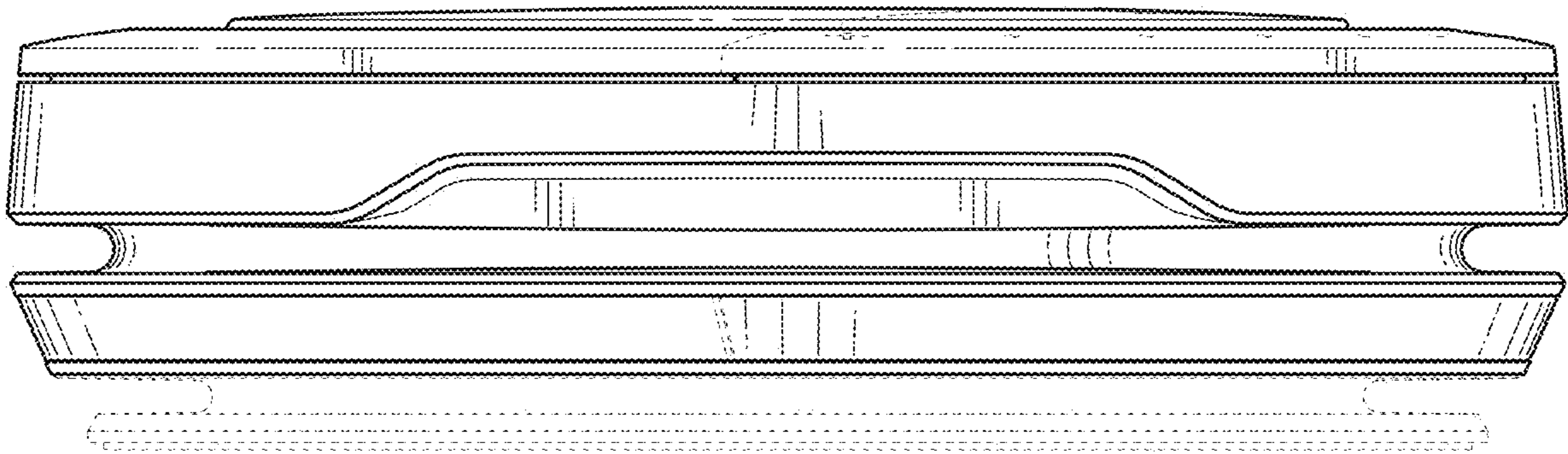


FIG. 12

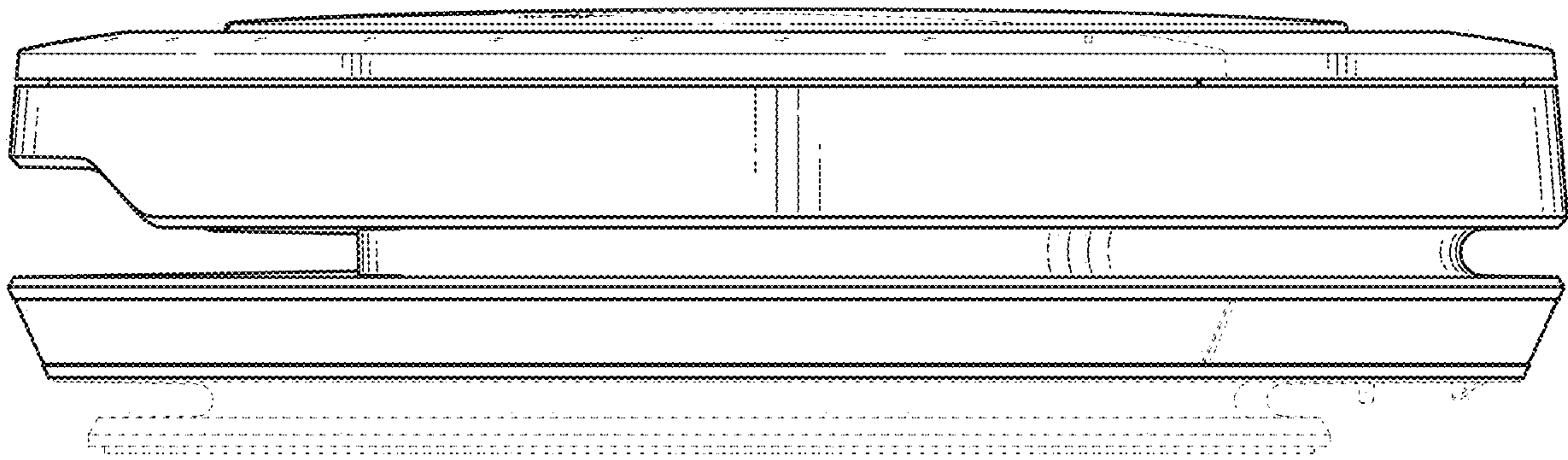


FIG. 13

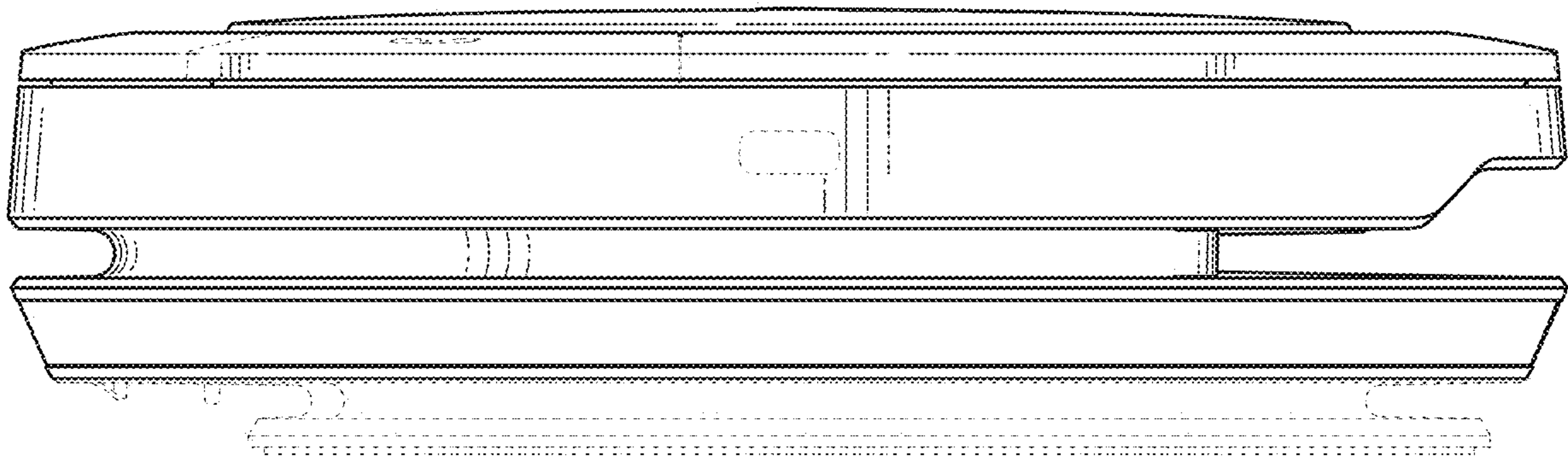


FIG. 14

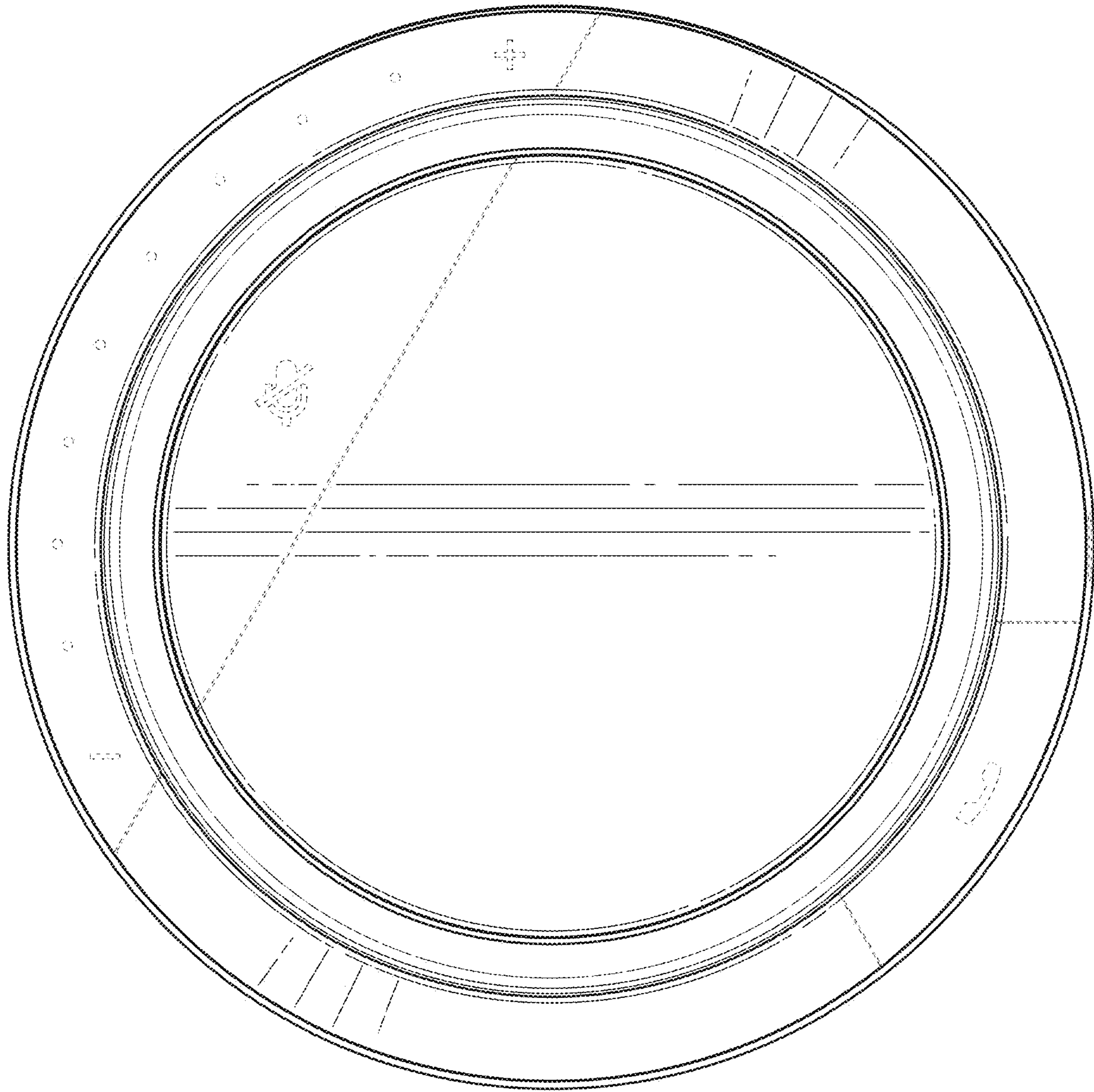


FIG. 15

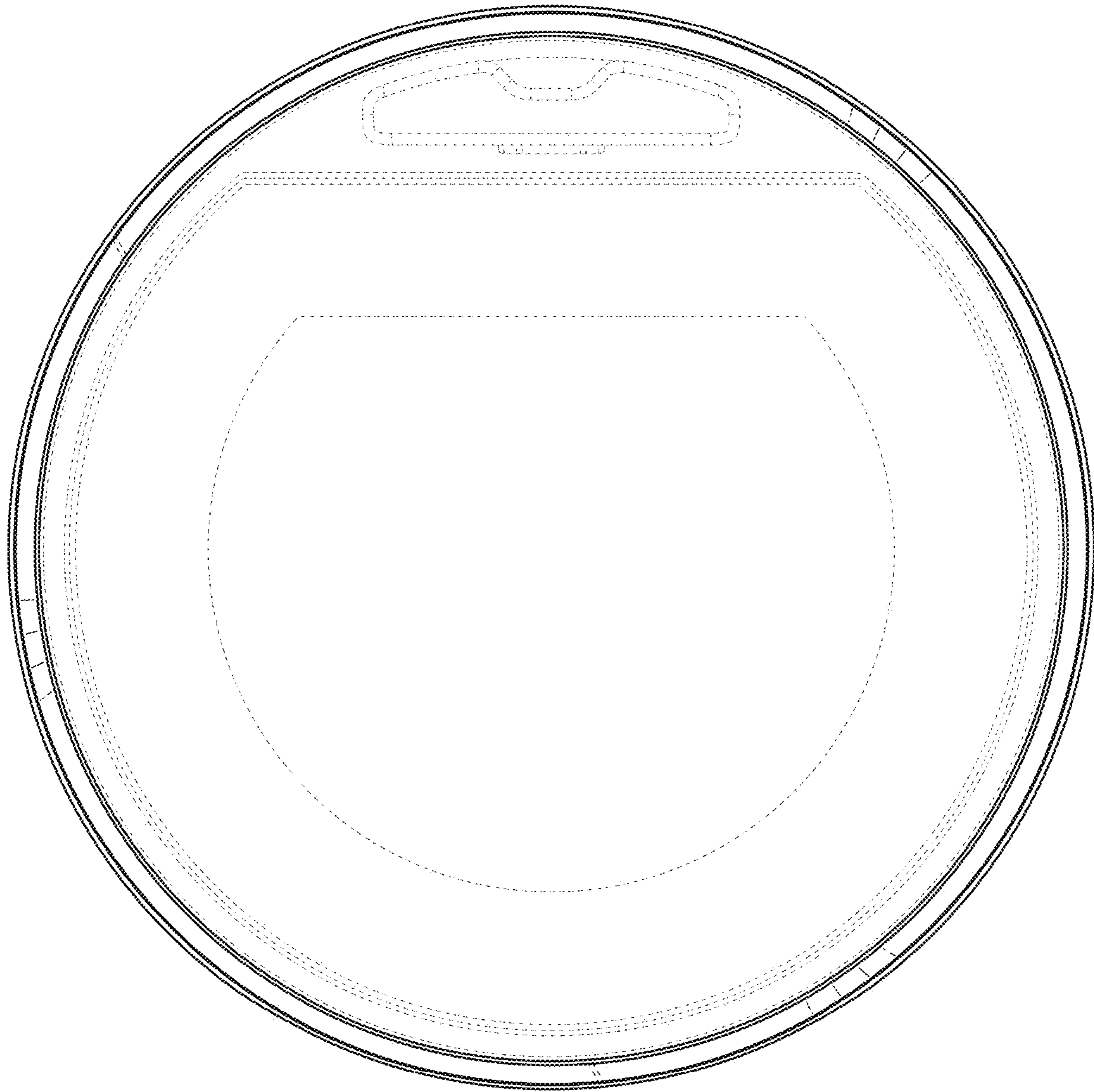


FIG. 16