



US00D886748S

(12) **United States Design Patent** (10) **Patent No.:** **US D886,748 S**
Wei (45) **Date of Patent:** **** Jun. 9, 2020**

(54) **DOOR OPENER**

D844,685 S * 4/2019 Bresson D15/148
D847,888 S * 5/2019 Baer D15/148
D848,498 S * 5/2019 Baer D15/148

(71) Applicant: **Chengdu Meross Technology Co., Ltd., Chengdu (CN)**

FOREIGN PATENT DOCUMENTS

(72) Inventor: **Tian Wei, Chengdu (CN)**

CN 301528055 4/2011
EM 004695625 2/2018

(73) Assignee: **Chengdu Meross Technology Co., Ltd., Chengdu (CN)**

OTHER PUBLICATIONS

(**) Term: **15 Years**

Meross Smart Wi-Fi Garage Door Opener, Dec. 3, 2018, <https://www.amazon.com/meross-Smart-Control-Compatible-Assistant/dp/B07L5DPK8P> (Year: 2018).*

(21) Appl. No.: **29/692,978**

* cited by examiner

(22) Filed: **May 30, 2019**

(51) **LOC (12) Cl.** **14-03**

Primary Examiner — Manpreet S Matharu

(52) **U.S. Cl.**

Assistant Examiner — Yolanda Robinson

USPC **D13/168**

(74) *Attorney, Agent, or Firm* — JCIPRNET

(58) **Field of Classification Search**

USPC D8/330; D10/104, 106; D15/148, 199;
D14/218; D13/112, 168, 184, 199
CPC E05F 15/43; E05F 15/60; E05F 15/668;
E05F 15/68; G07C 9/00896; H05K
5/0221; E05Y 2900/106
See application file for complete search history.

(57) **CLAIM**

The ornamental design for a door opener, as shown and described.

(56) **References Cited**

DESCRIPTION

U.S. PATENT DOCUMENTS

D404,366 S * 1/1999 Gross D13/168
D478,605 S * 8/2003 Guzman D13/168
D501,643 S * 2/2005 Strand D10/104.1
D562,778 S * 2/2008 Bonnaud D13/168
D592,158 S * 5/2009 Peterson D13/168
8,404,983 B2 * 3/2013 Tseng H05K 7/1417
174/520
D739,385 S * 9/2015 James D14/218
D741,817 S * 10/2015 Paredes D13/168
D741,818 S * 10/2015 Paredes D13/168
D748,066 S * 1/2016 Lee D13/168
D751,515 S * 3/2016 Paredes D13/168
D824,442 S * 7/2018 Du D15/199

FIG. 1 is a perspective view of a door opener showing my new design;

FIG. 2 is a front view thereof;

FIG. 3 is a rear view thereof;

FIG. 4 is a left side view thereof;

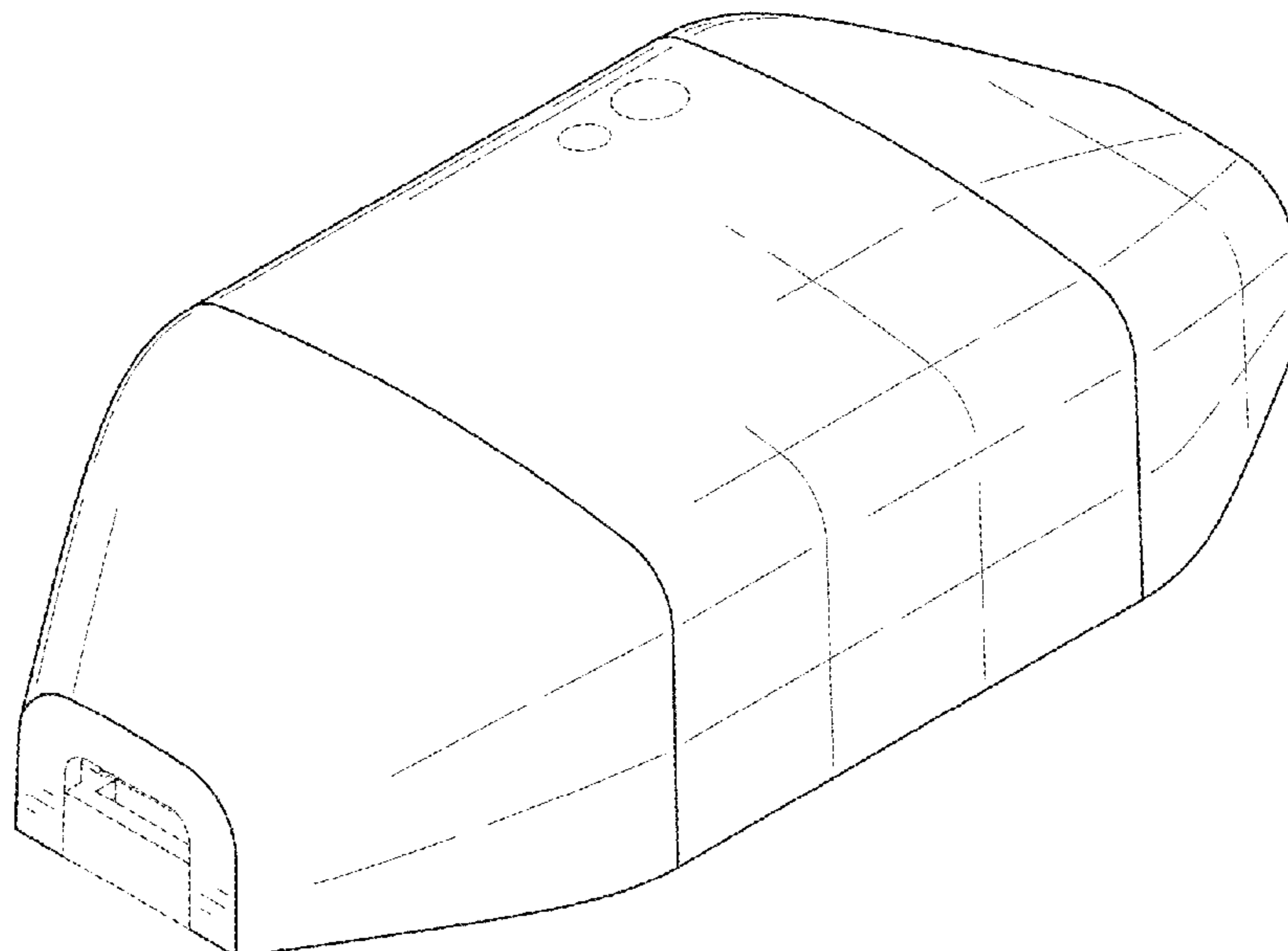
FIG. 5 is a right side view thereof;

FIG. 6 is a top view thereof; and,

FIG. 7 is a bottom view thereof.

The broken line showing of the door opener is for the purpose of illustrating portions of the door opener which form no part of the claimed design.

1 Claim, 5 Drawing Sheets



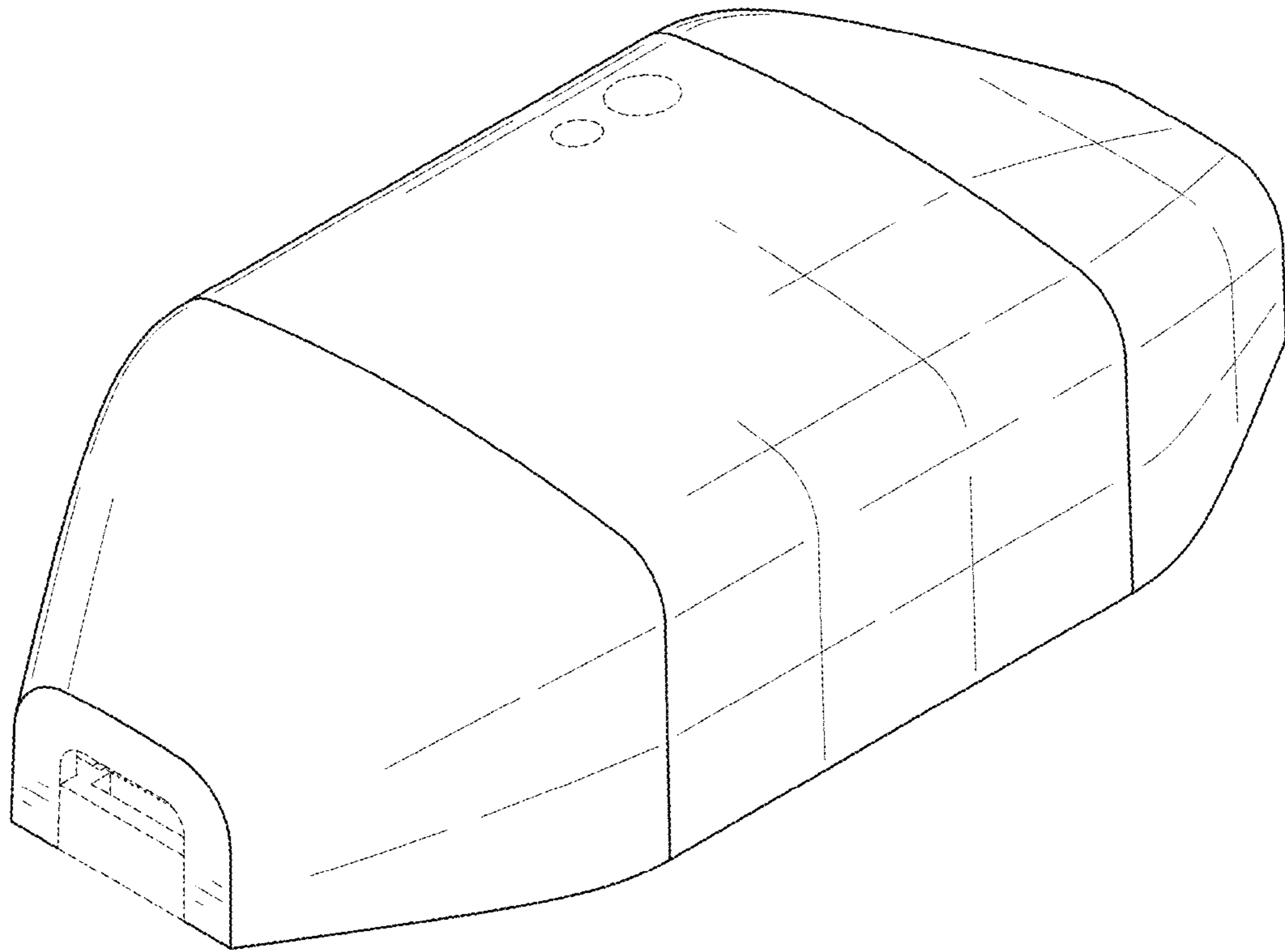


FIG. 1

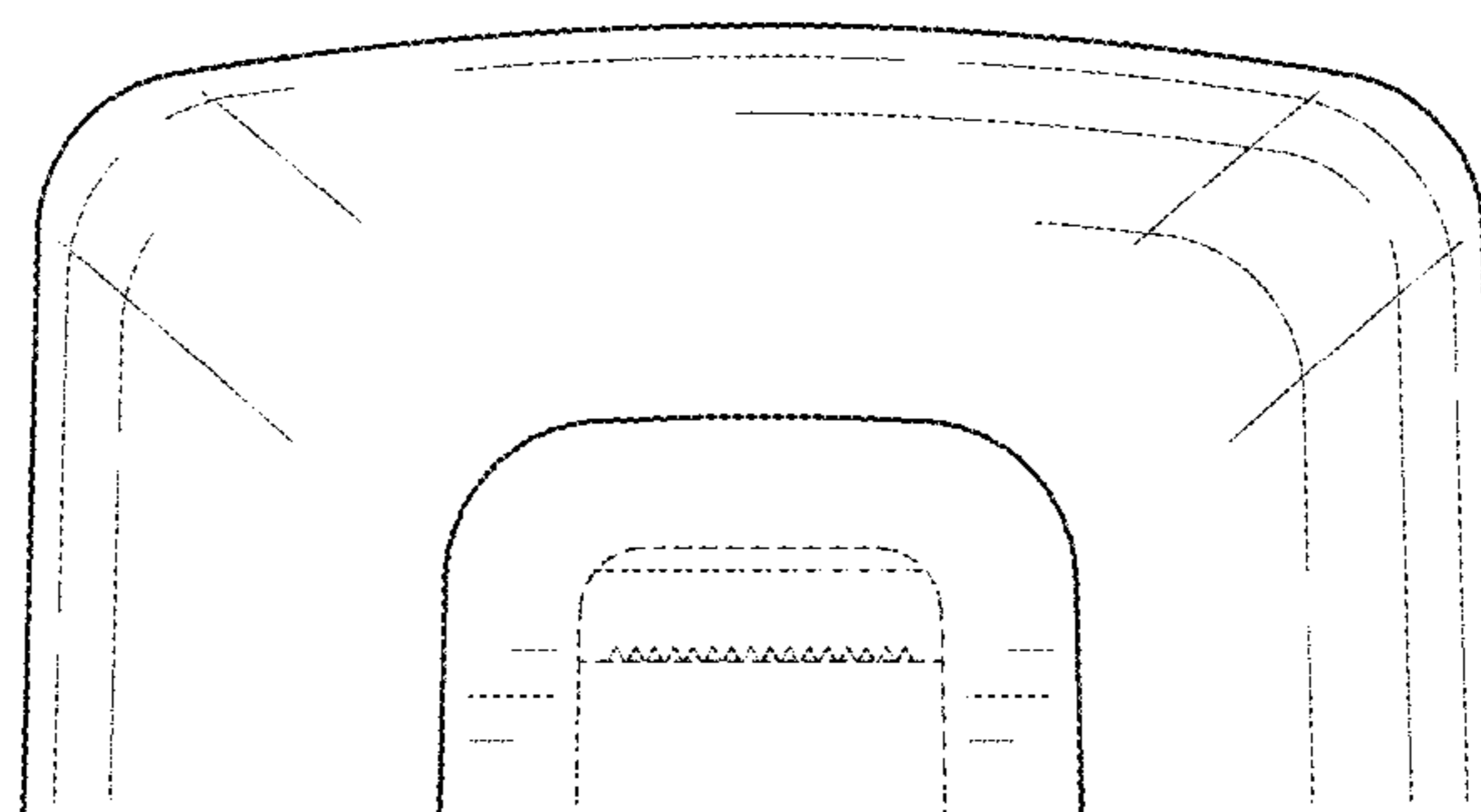


FIG. 2

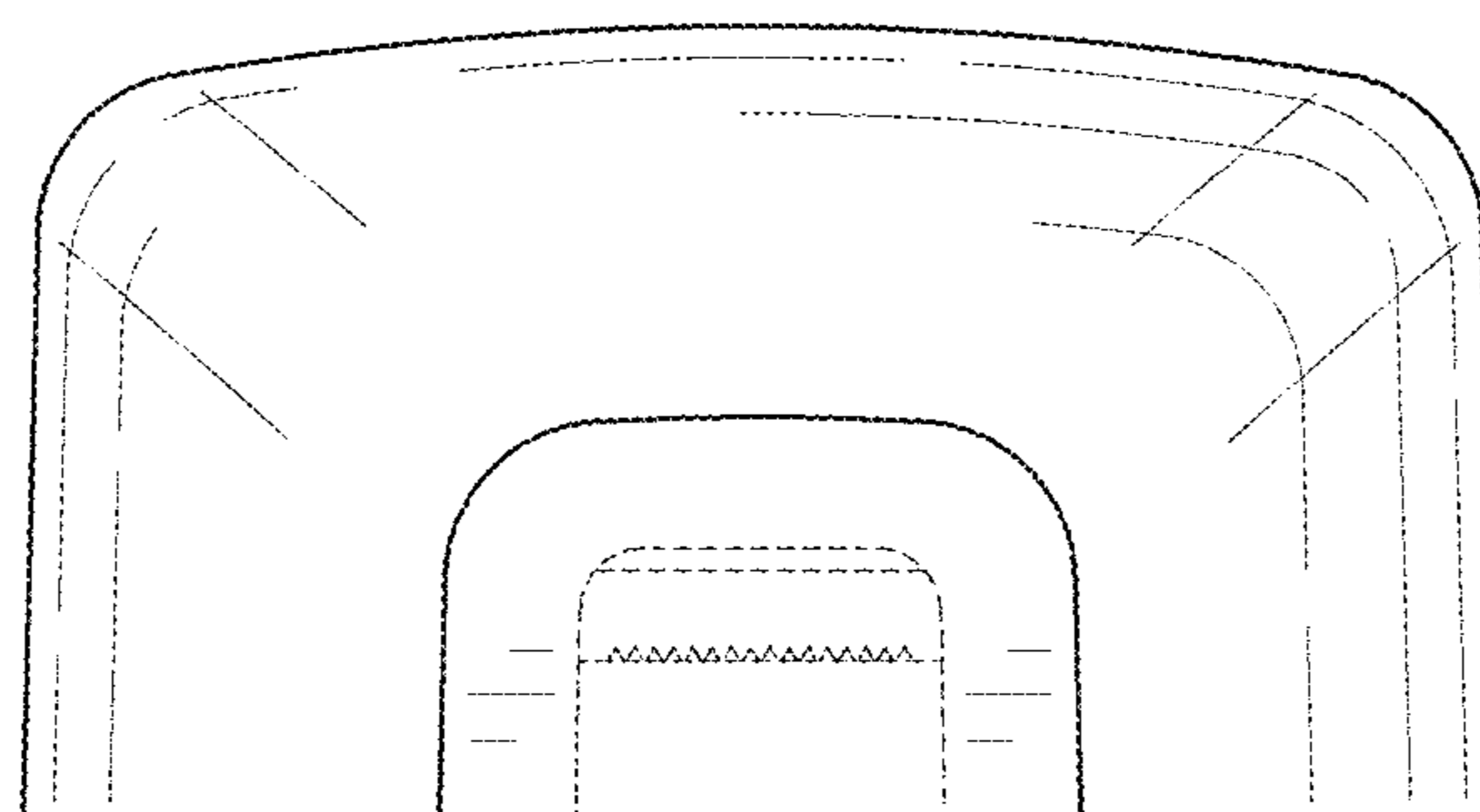


FIG. 3

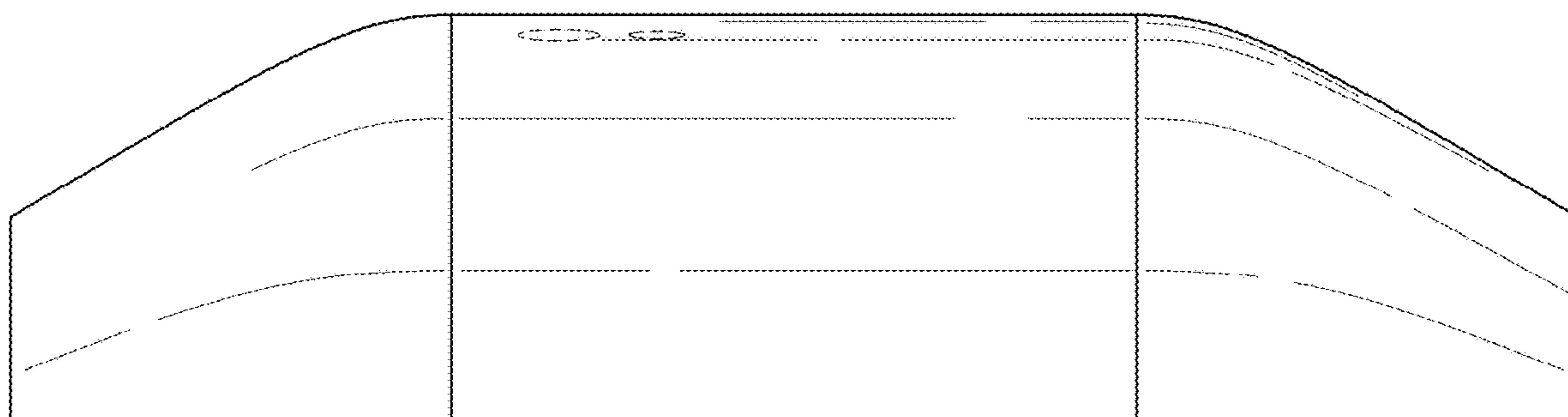


FIG. 4

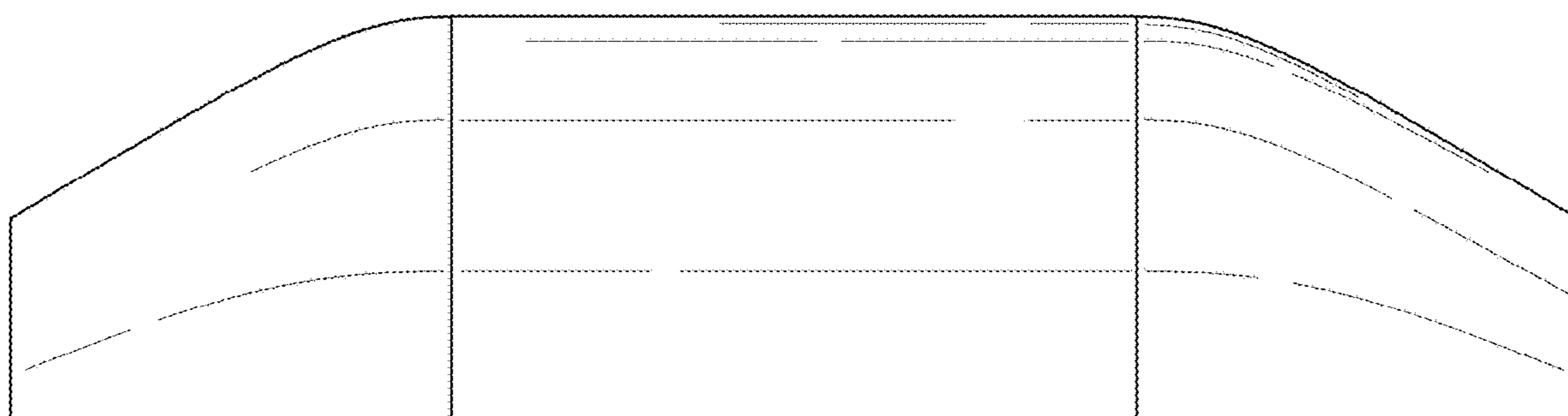


FIG. 5

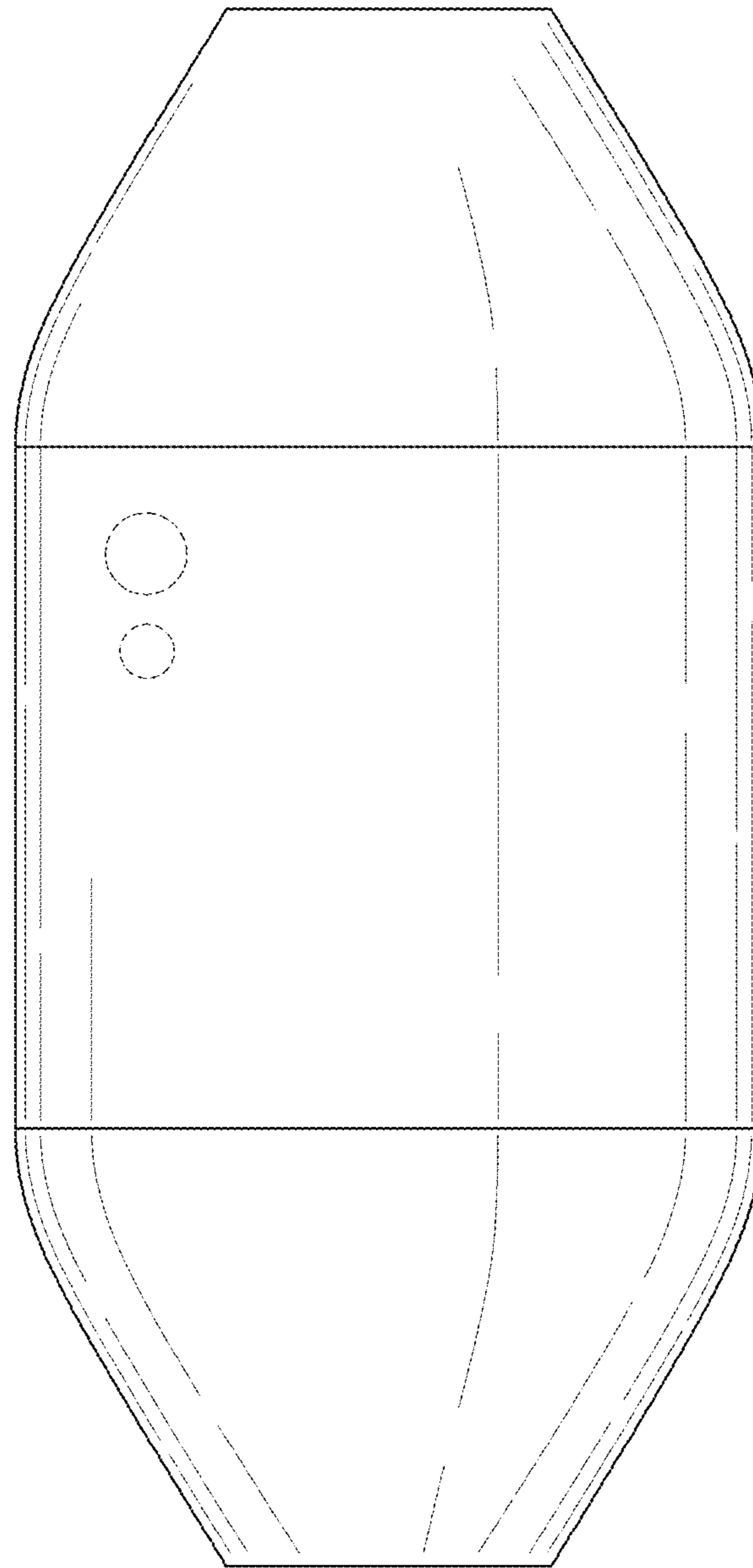


FIG. 6

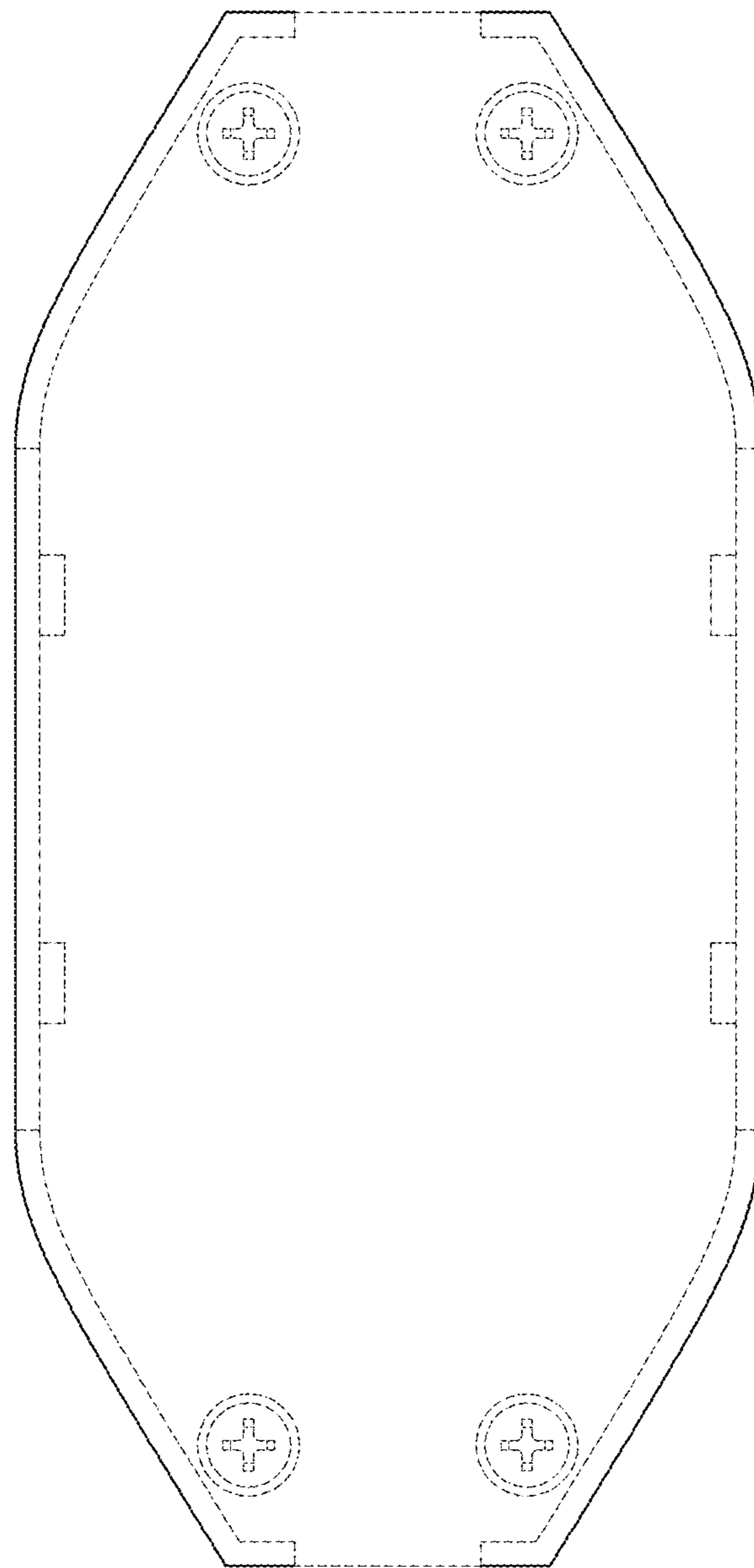


FIG. 7