



US00D886745S

(12) **United States Design Patent**  
**Cyzen**

(10) **Patent No.:** **US D886,745 S**

(45) **Date of Patent:** **\*\* Jun. 9, 2020**

- (54) **OUTLET PLATE**
- (71) Applicant: **Keith Cyzen**, Glen Ellyn, IL (US)
- (72) Inventor: **Keith Cyzen**, Glen Ellyn, IL (US)
- (\*\*) Term: **15 Years**

- 4,921,444 A 5/1990 Cama
- D308,626 S 6/1990 Villarreal
- D309,093 S 7/1990 Reinholt
- 4,969,833 A 11/1990 Lindow et al.
- 4,973,801 A 11/1990 Frick et al.
- 4,993,963 A 2/1991 Pedigo
- 5,011,427 A 4/1991 Martin

(Continued)

(21) Appl. No.: **29/675,485**

**FOREIGN PATENT DOCUMENTS**

(22) Filed: **Jan. 2, 2019**

CN 203589299 U 5/2014

(51) **LOC (12) Cl.** ..... **13-03**

(52) **U.S. Cl.**  
USPC ..... **D13/156; D8/353**

(58) **Field of Classification Search**  
USPC ..... D13/137.1, 154, 156, 173, 177.184;  
D8/353

CPC ..... H01R 13/447; H01R 13/639; H01R  
13/6395; H01R 13/6397; H01R 25/006;  
H01R 31/06

See application file for complete search history.

**OTHER PUBLICATIONS**

<https://www.amazon.com/Lock-Plug-Electrical-Extension-Appliances/dp/B06WW61RRC>, publicly available at least as early as Dec. 17, 2017.

(Continued)

*Primary Examiner* — Selina Sikder

(74) *Attorney, Agent, or Firm* — Marshall, Gerstein & Borun LLP

(56) **References Cited**

**U.S. PATENT DOCUMENTS**

- 2,438,143 A 3/1948 Brown
- D162,509 S 3/1951 Austin, Jr.
- 2,673,969 A 3/1954 Pfister
- 2,722,665 A 11/1955 Sauder
- 2,770,697 A 11/1956 Kellett
- 3,013,105 A 12/1961 Craig
- 3,113,996 A 12/1963 Sanford
- 3,159,446 A 12/1964 Protzmann
- 3,257,497 A 6/1966 Chase
- 3,689,868 A 9/1972 Snyder
- 3,775,729 A 11/1973 Casper
- 4,083,618 A 4/1978 Busch, Jr.
- D261,135 S 10/1981 Horne
- 4,293,173 A 10/1981 Tricca
- 4,457,571 A 7/1984 Lavine et al.
- D275,175 S 8/1984 Rolli, Jr.
- D283,221 S 4/1986 West
- 4,617,613 A 10/1986 Rice
- 4,895,527 A 1/1990 Brown et al.
- 4,895,999 A 1/1990 Calderon

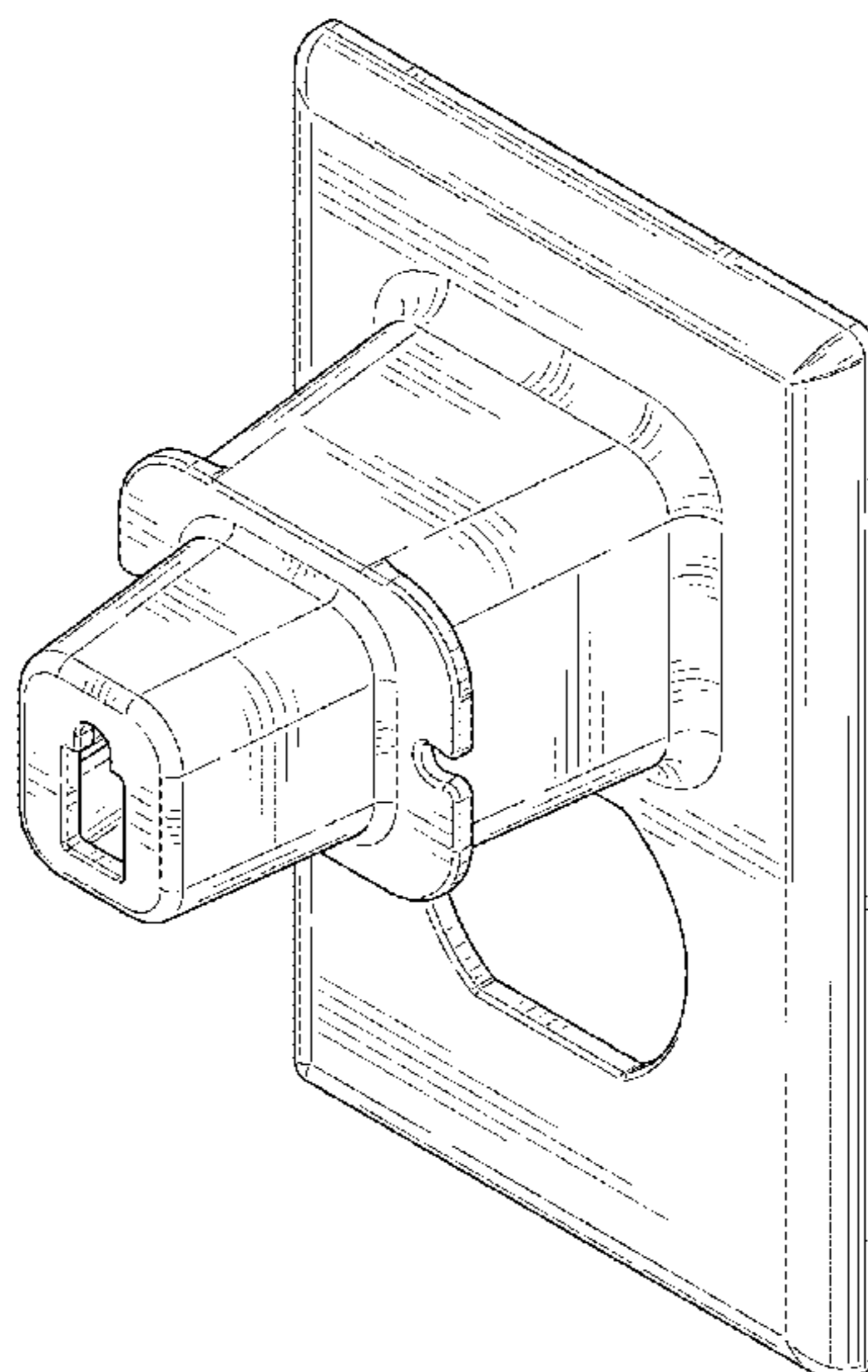
(57) **CLAIM**

The ornamental design for an outlet plate, as shown and described.

**DESCRIPTION**

FIG. 1 is a perspective view showing a new design for an outlet plate;  
FIG. 2 is a front view of the outlet plate of FIG. 1;  
FIG. 3 is a rear view of the outlet plate of FIG. 1;  
FIG. 4 is a right-side view of the outlet plate of FIG. 1;  
FIG. 5 is a left-side view of the outlet plate of FIG. 1;  
FIG. 6 is a top view of the outlet plate of FIG. 1; and,  
FIG. 7 is a bottom view of the outlet plate of FIG. 1.  
Any dashed lines showing portions of the outlet plate are included for the purpose of illustrating environment and form no part of the claimed design.

**1 Claim, 6 Drawing Sheets**



(56)

References Cited

U.S. PATENT DOCUMENTS

D317,859 S 7/1991 Kobayashi  
 D318,460 S 7/1991 Heath et al.  
 5,174,773 A 12/1992 Jones  
 D346,362 S 4/1994 Bouley  
 D359,271 S 6/1995 Reinholt  
 D372,224 S 7/1996 Larned et al.  
 5,575,677 A 11/1996 Buckner et al.  
 5,589,665 A 12/1996 Scamacca  
 5,655,924 A 8/1997 Cross et al.  
 D415,113 S 10/1999 Driver, III  
 5,989,052 A \* 11/1999 Fields ..... H01R 13/447  
 439/144  
 6,699,060 B1 3/2004 Scott  
 D508,025 S 8/2005 Dirks  
 D509,193 S 9/2005 Piedmont  
 7,014,493 B1 3/2006 Battard  
 7,041,905 B1 5/2006 Stewart  
 7,056,145 B2 \* 6/2006 Campbell ..... H01R 13/6395  
 174/67  
 D549,175 S 8/2007 Slasinski  
 7,255,588 B2 8/2007 Wilder  
 D559,782 S 1/2008 Slasinski  
 7,371,105 B1 5/2008 Allende  
 7,384,304 B1 6/2008 Fawcett  
 7,528,323 B2 5/2009 Wu et al.  
 7,638,710 B1 12/2009 Vance  
 7,850,478 B2 12/2010 Lin et al.  
 8,021,174 B1 9/2011 Schutte  
 8,222,522 B1 7/2012 Easthouse  
 8,337,236 B2 12/2012 Shu  
 8,864,517 B2 10/2014 Cohen  
 9,048,570 B2 6/2015 Goel  
 9,065,263 B2 6/2015 Porcano  
 9,083,180 B2 7/2015 Dodal et al.  
 9,147,973 B1 9/2015 Madison  
 9,337,676 B2 5/2016 Benigno  
 9,350,151 B2 5/2016 Michaelis, IV  
 D784,791 S 4/2017 Aragaw  
 D788,045 S 5/2017 Zeng  
 9,653,898 B1 5/2017 Deaton et al.  
 D793,846 S 8/2017 Armstrong, Jr. et al.  
 9,825,414 B2 11/2017 Armstrong et al.  
 9,991,627 B1 6/2018 Hemme  
 D823,263 S \* 7/2018 Cyzen ..... D13/156

10,148,033 B2 12/2018 Mortun  
 10,276,979 B2 4/2019 Cyzen  
 D860,141 S \* 9/2019 Cyzen ..... D13/156  
 10,439,327 B1 10/2019 Cyzen  
 D871,351 S 12/2019 Lee et al.  
 2011/0070756 A1 3/2011 Peckham  
 2015/0147908 A1 5/2015 Jauch  
 2017/0214201 A1 \* 7/2017 Armstrong ..... H01R 31/06  
 2019/0097355 A1 \* 3/2019 Jacobson ..... H01R 13/6395  
 2019/0214770 A1 7/2019 Cyzen  
 2020/0021060 A1 1/2020 Cyzen

OTHER PUBLICATIONS

[https://www.amazon.com/LectraLock-Safety-Electrical-Outlet-Duplex/dp/B009UX0NBO/ref-zg\\_bs\\_166867011\\_6?\\_encoding=UTF8&refRID=EMGGM%E2%80%A6](https://www.amazon.com/LectraLock-Safety-Electrical-Outlet-Duplex/dp/B009UX0NBO/ref-zg_bs_166867011_6?_encoding=UTF8&refRID=EMGGM%E2%80%A6), publicly available at least as early as Dec. 17, 2017.  
[https://www.amazon.com/gp/offer-listing/B073V3LR2R/ref=dp\\_olp\\_new\\_mbc?ie=UTF8&condition=new](https://www.amazon.com/gp/offer-listing/B073V3LR2R/ref=dp_olp_new_mbc?ie=UTF8&condition=new), publicly available at least as early as Dec. 17, 2017.  
[https://www.amazon.com/Secure-Connect-Electrical-Safety-Product/dp/B0083V4NG0/ref=pd\\_sbs\\_107\\_5?\\_encoding=UTF8&pd\\_rd\\_i=B0083V4NG0&p%E2%80%A6](https://www.amazon.com/Secure-Connect-Electrical-Safety-Product/dp/B0083V4NG0/ref=pd_sbs_107_5?_encoding=UTF8&pd_rd_i=B0083V4NG0&p%E2%80%A6), publicly available at least as early as Dec. 17, 2017.  
[https://www.kickstarter.com/projects/1881196998/myplug-the-first-theft-proof-charging-cable-ever-m?ref=nav\\_search](https://www.kickstarter.com/projects/1881196998/myplug-the-first-theft-proof-charging-cable-ever-m?ref=nav_search), publicly available at least as early as Dec. 17, 2017.  
<http://ideas.northwestern.edu/projects/charger+.html>, publicly available at least as early as Dec. 17, 2017.  
<http://www.ichargerlock.com/>, publicly available at least as early as Dec. 17, 2017.  
[https://www.kickstarter.com/projects/1881196998/myplug-the-first-theft-proof-charging-cable-ever-m?ref=nav\\_search](https://www.kickstarter.com/projects/1881196998/myplug-the-first-theft-proof-charging-cable-ever-m?ref=nav_search), publicly available at least as early as Dec. 17, 2017.  
 International Search Report and Written Opinion of the International Searching Authority for International Application PCT/US2018/043358, dated Oct. 9, 2018.  
 International Application No. PCT/US2019/038251, International Search Report and Written Opinion, dated Sep. 17, 2019.  
 Chinese Patent Application No. 201810013949.3, First Office Action, dated Feb. 3, 2020.

\* cited by examiner

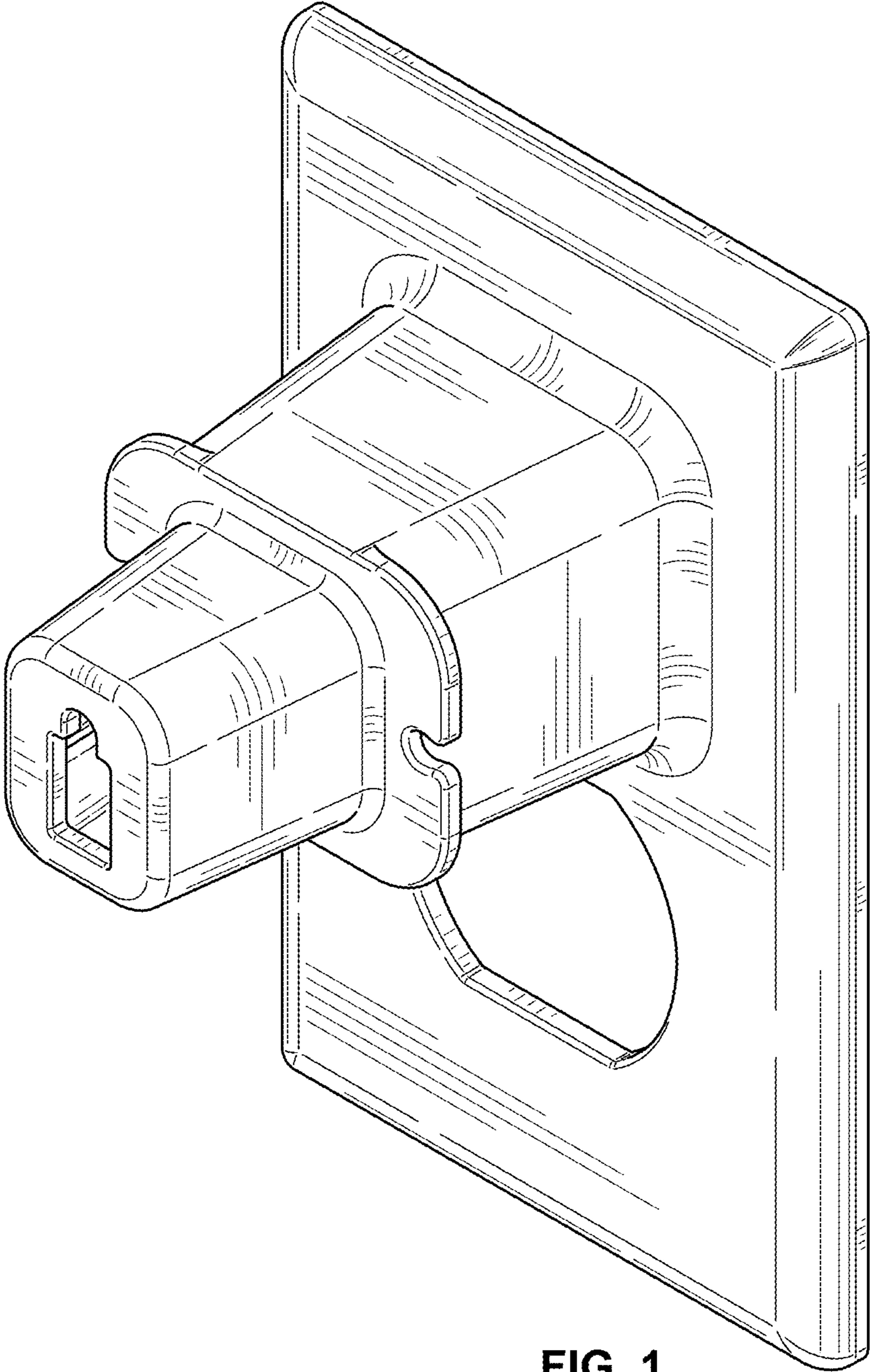


FIG. 1

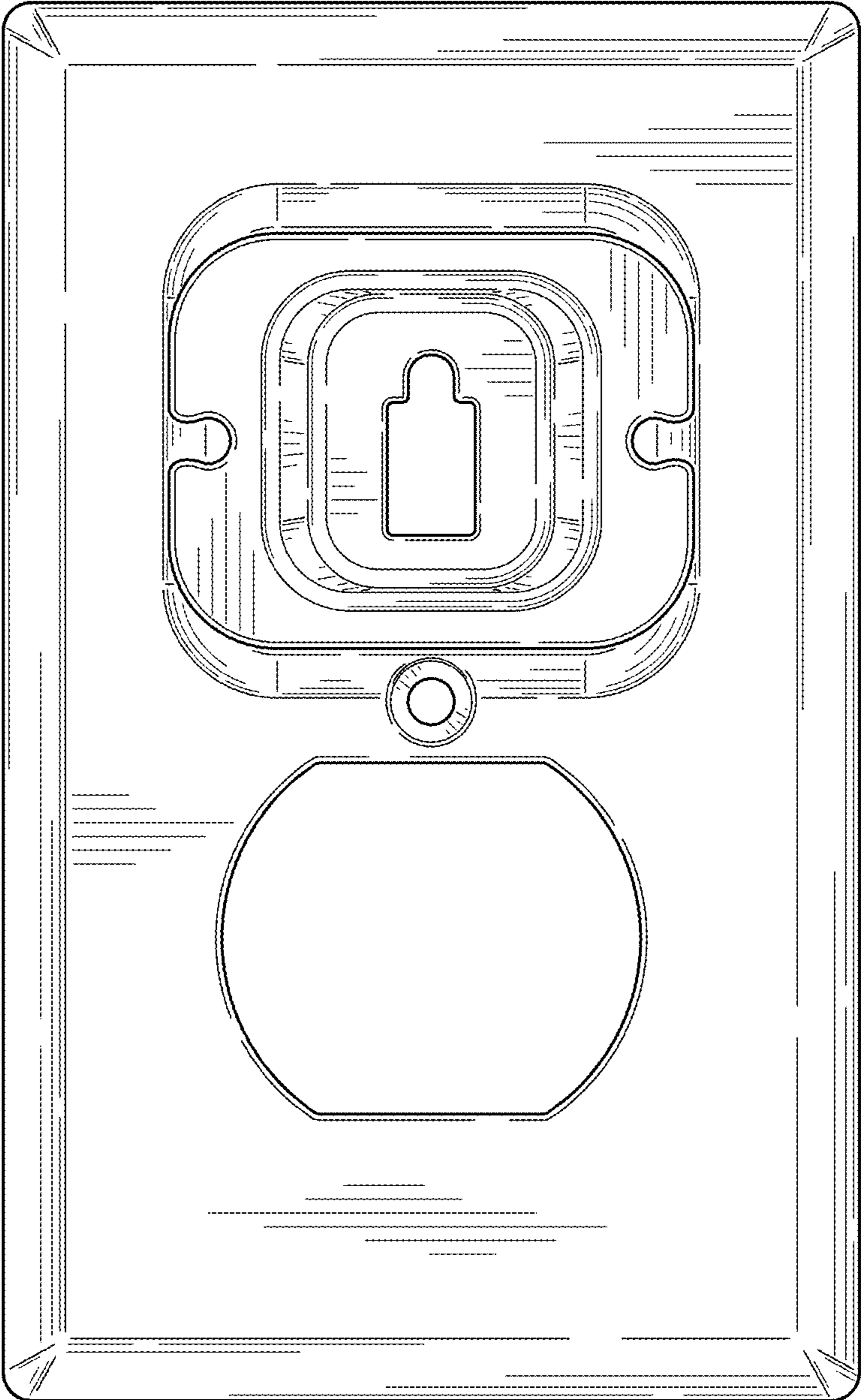


FIG. 2

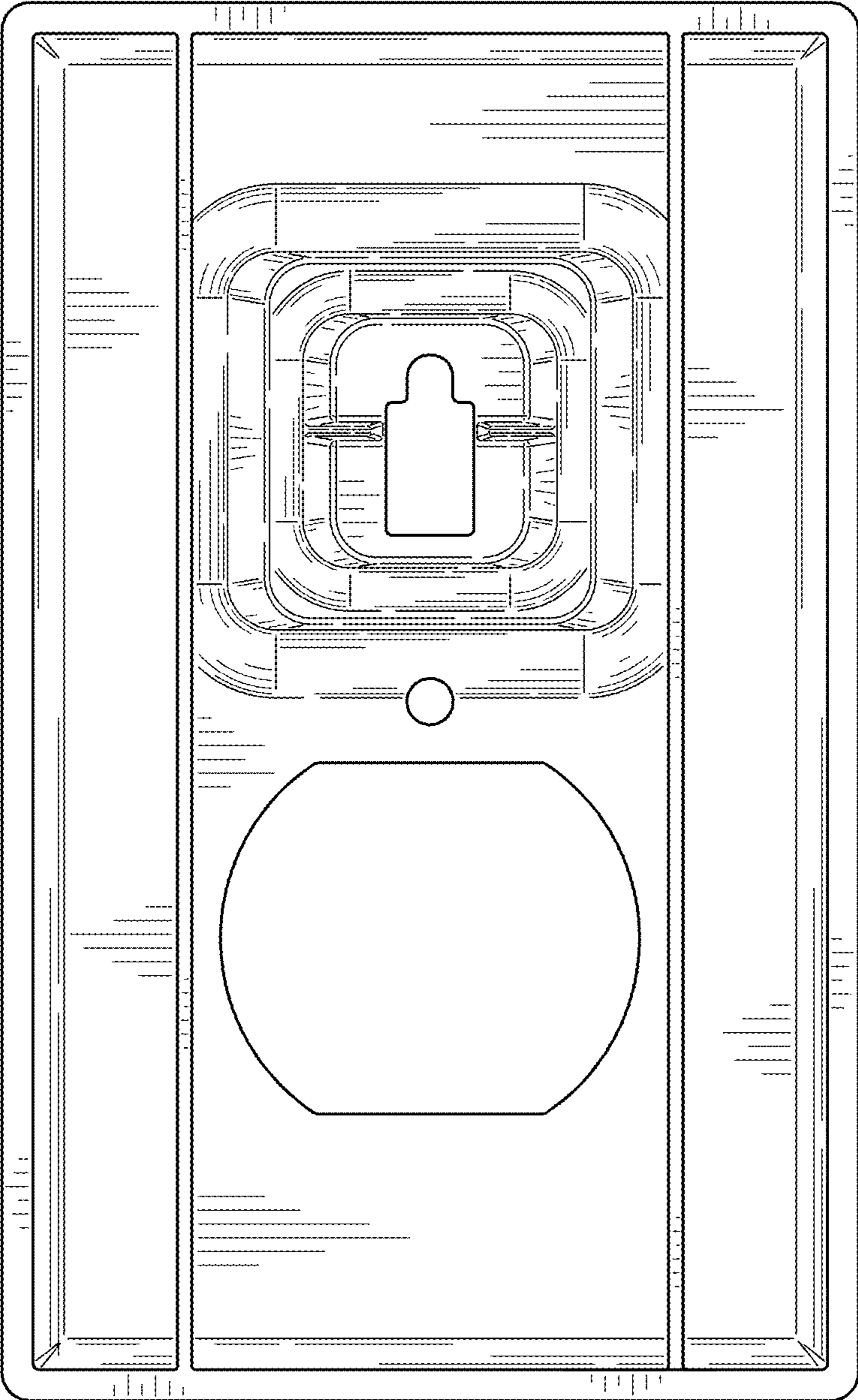


FIG. 3

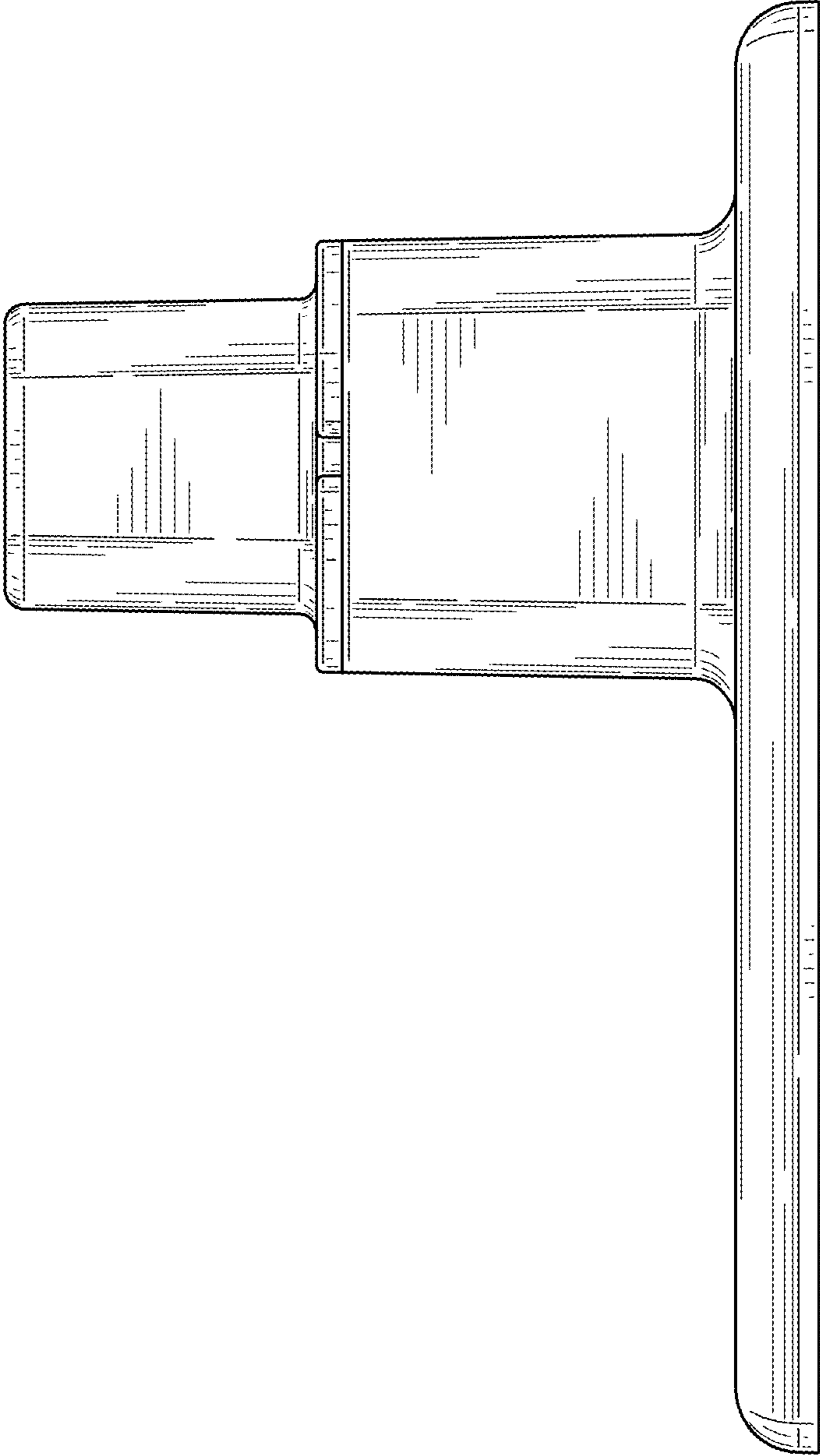


FIG. 4

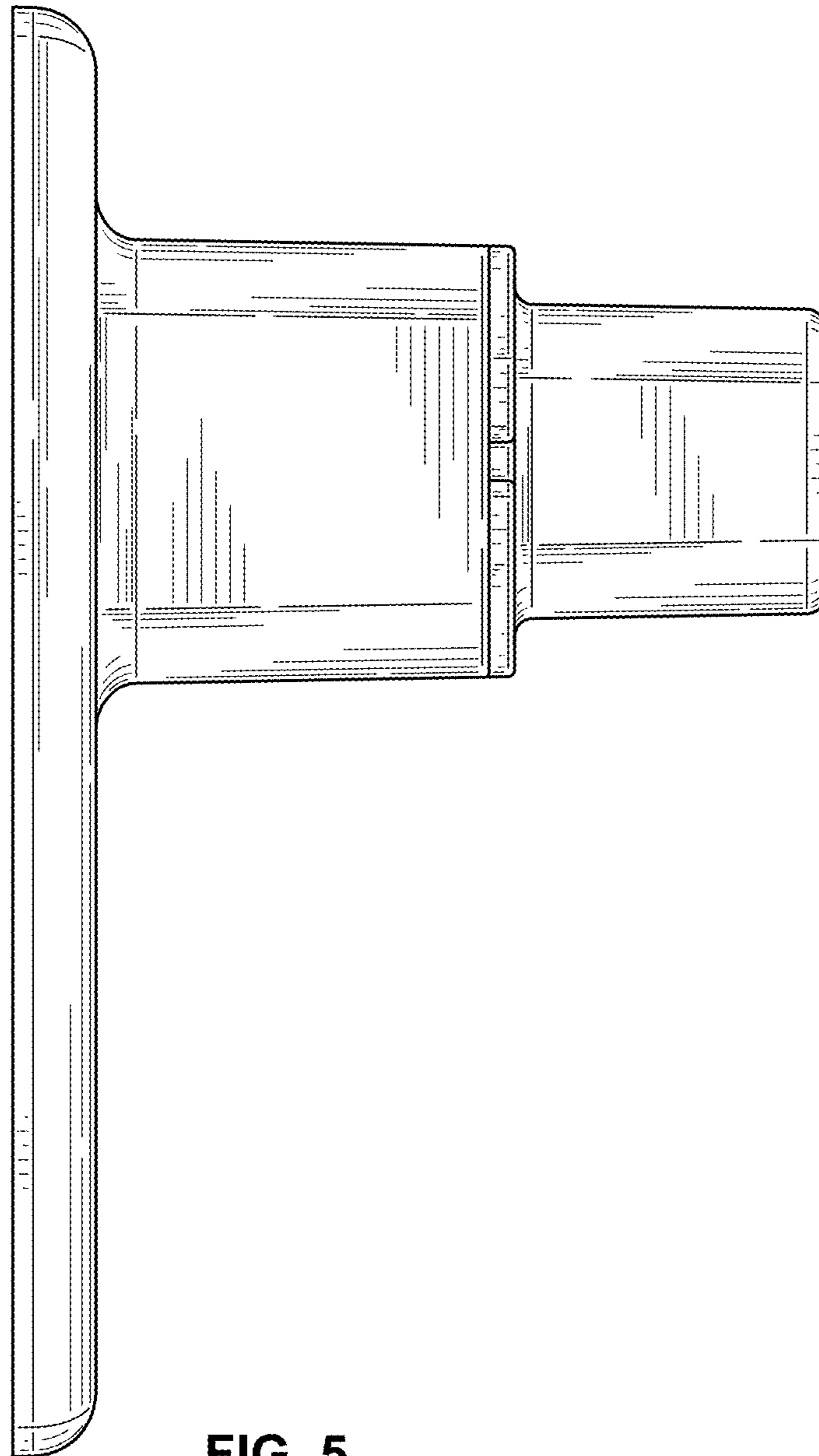


FIG. 5

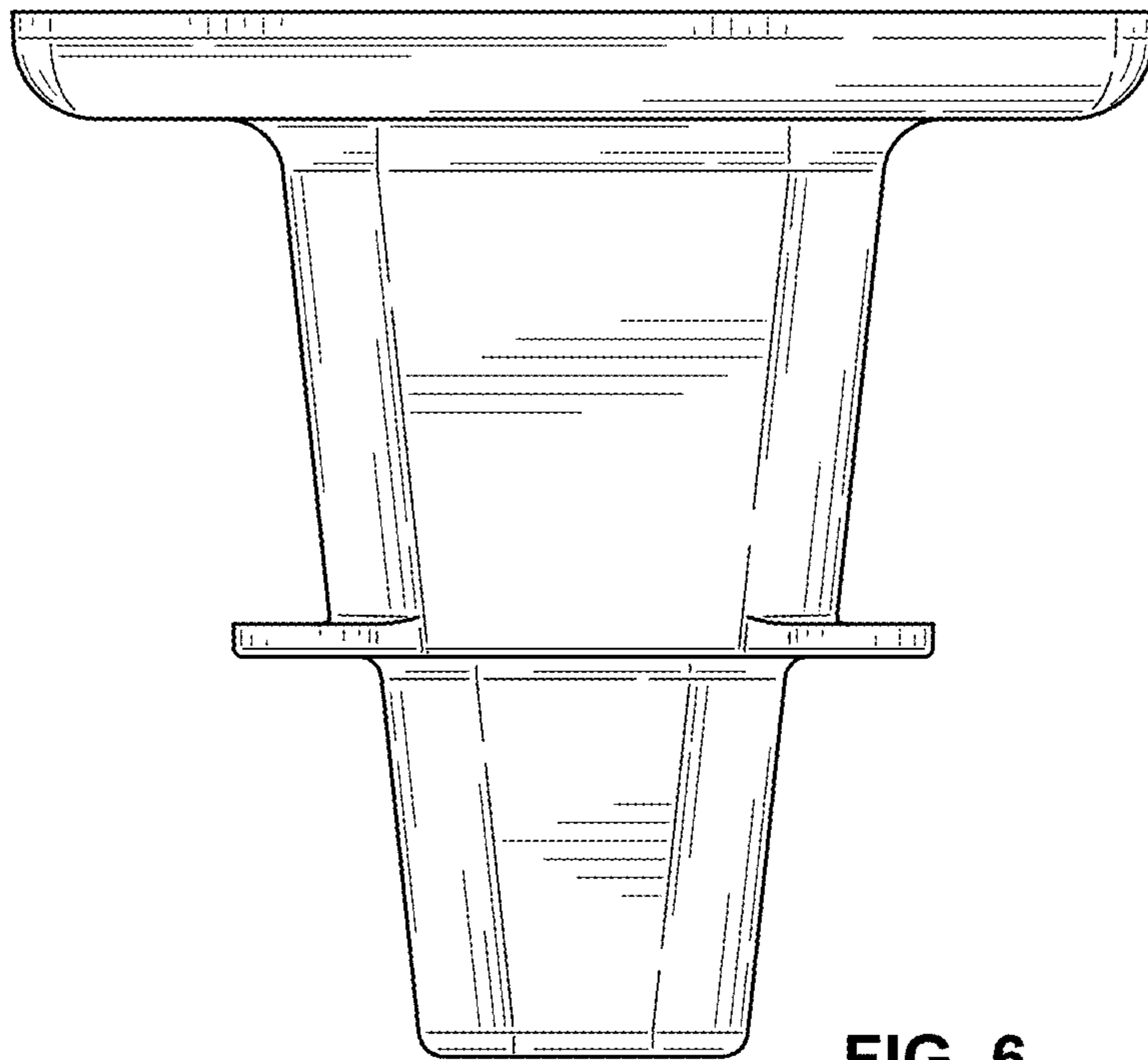


FIG. 6

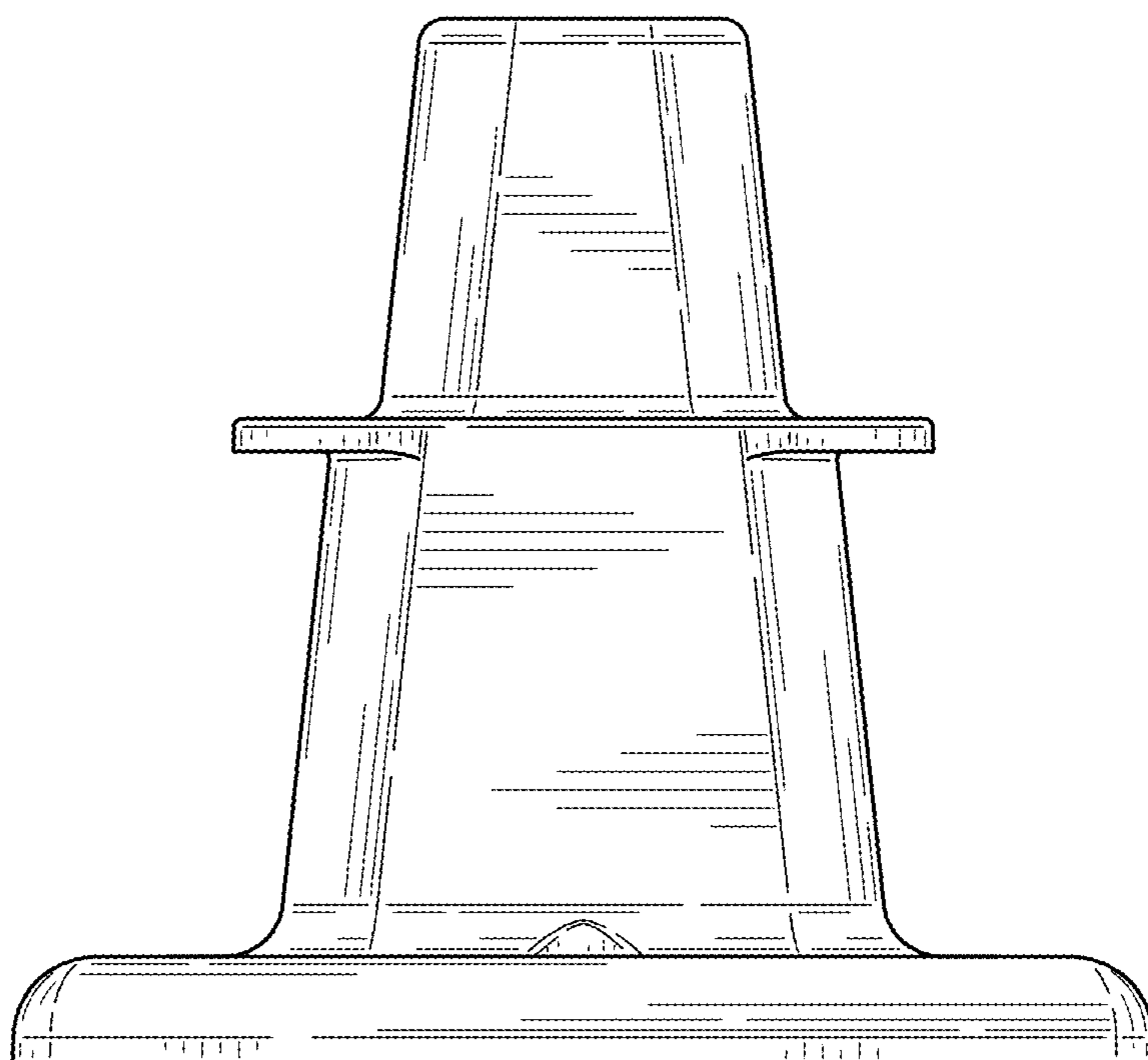


FIG. 7