



US00D886744S

(12) **United States Design Patent**
Baldwin et al.

(10) **Patent No.:** **US D886,744 S**
(45) **Date of Patent:** **** Jun. 9, 2020**

- (54) **CABLE COVER**
- (71) Applicants: **Jeffrey Baldwin**, Anthem, AZ (US);
Ryan Liebengood, Gilbert, AZ (US)
- (72) Inventors: **Jeffrey Baldwin**, Anthem, AZ (US);
Ryan Liebengood, Gilbert, AZ (US)
- (**) Term: **15 Years**
- (21) Appl. No.: **29/624,522**
- (22) Filed: **Nov. 1, 2017**
- (51) **LOC (12) Cl.** **13-03**
- (52) **U.S. Cl.**
USPC **D13/156**
- (58) **Field of Classification Search**
USPC D13/123, 133, 154, 155, 156, 184, 199;
D10/60, 52; D24/186; D8/354, 356
CPC H02G 3/0487; H02G 3/0481; H02G 3/30;
H02G 3/283; Y10T 428/1362; Y10T
428/24777; Y10T 428/24008; H01B
7/186; H01B 7/368
See application file for complete search history.

- 7,438,964 B2 * 10/2008 Clark H02G 3/0481
138/123
- 7,650,177 B2 * 1/2010 Hoarau A61B 5/14552
600/323
- 7,676,253 B2 * 3/2010 Raridan, Jr. A61B 5/14552
600/310
- 8,188,433 B2 * 5/2012 Gonopolskiy A61B 5/14552
250/338.1
- 8,205,314 B1 * 6/2012 Dermody, IV B21D 49/00
29/428
- D784,931 S * 4/2017 Fries D13/153
- 9,675,843 B2 * 6/2017 Petty A63B 29/028
- D800,584 S * 10/2017 Ahong D10/52
- D825,487 S * 8/2018 Munson D13/155
- D832,221 S * 10/2018 Baldwin D13/155
- 2002/0170727 A1 * 11/2002 Holland H02G 15/18
174/19

(Continued)

Primary Examiner — Derrick E Holland
Assistant Examiner — Jennifer O King
(74) *Attorney, Agent, or Firm* — Booth Udall Fuller, PLC

(57) **CLAIM**

We claim the ornamental design for a cable cover, as shown and described.

DESCRIPTION

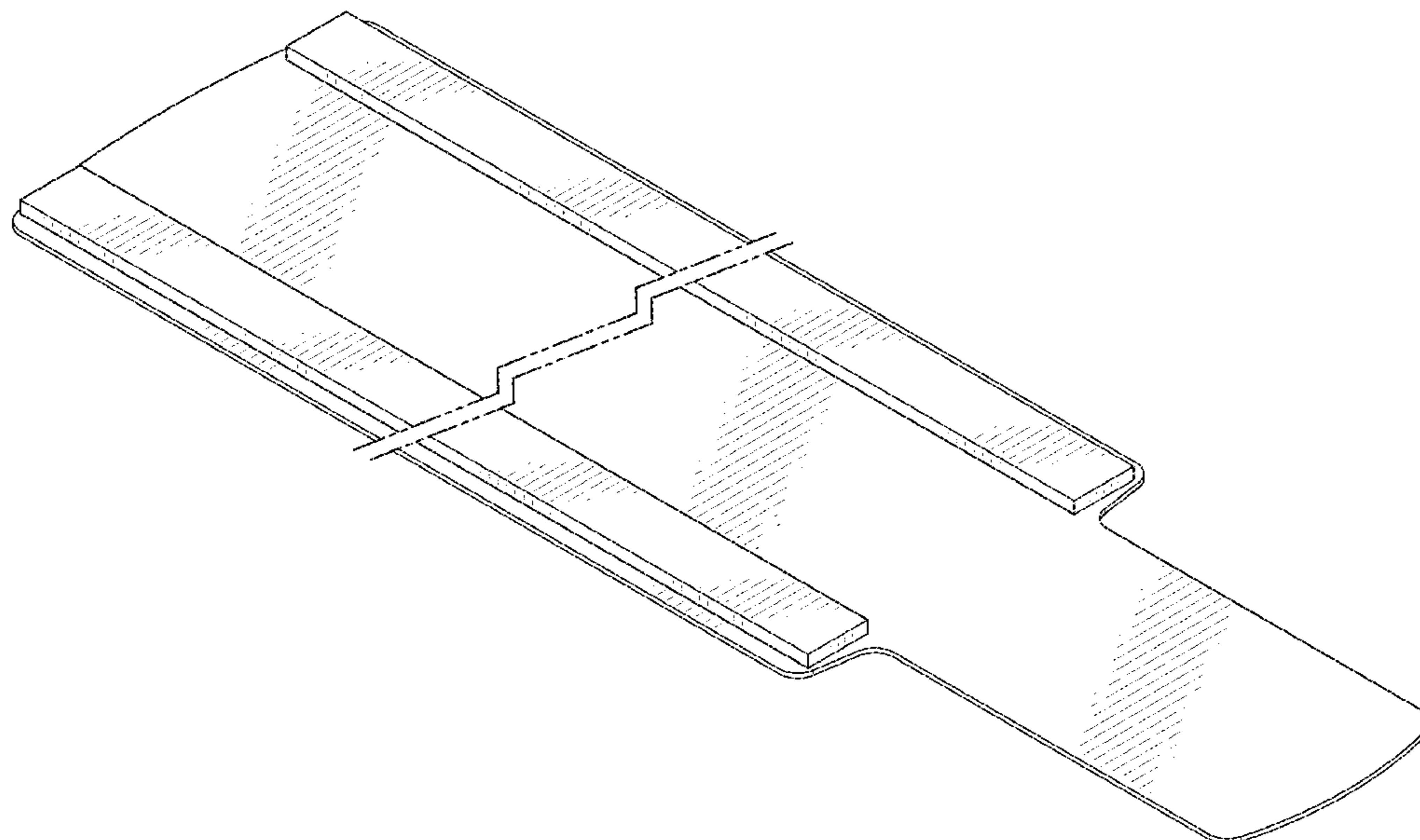
FIG. 1 is a perspective view of a first embodiment of a cable cover showing our design;
FIG. 2 is a right elevation view thereof;
FIG. 3 is a left elevation view thereof;
FIG. 4 is a rear elevation view thereof;
FIG. 5 is a front elevation view thereof;
FIG. 6 is a top plan view thereof; and,
FIG. 7 is a bottom plan view thereof.
The cable cover is shown with a symbolic break in its length. The appearance of any portion of the article between the break lines forms no part of the claimed design.

1 Claim, 4 Drawing Sheets

(56) **References Cited**

U.S. PATENT DOCUMENTS

- 4,142,565 A * 3/1979 Plunkett, Sr. F16L 59/026
137/375
- 4,400,420 A * 8/1983 Bakken F02C 7/25
137/312
- 5,178,923 A * 1/1993 Andrieu A44B 18/0069
428/100
- 5,368,341 A * 11/1994 Larson B64F 1/362
138/119
- 5,901,756 A * 5/1999 Goodrich F16L 3/233
138/110
- 6,237,198 B1 5/2001 Jimenez
- 6,740,818 B2 5/2004 Clark
- 7,280,858 B2 * 10/2007 Al-Ali A61B 5/14552
600/323



(56)

References Cited

U.S. PATENT DOCUMENTS

2004/0065467 A1* 4/2004 Radelet H02G 15/18
174/93
2008/0076996 A1* 3/2008 Hoarau A61B 5/14552
600/344

* cited by examiner

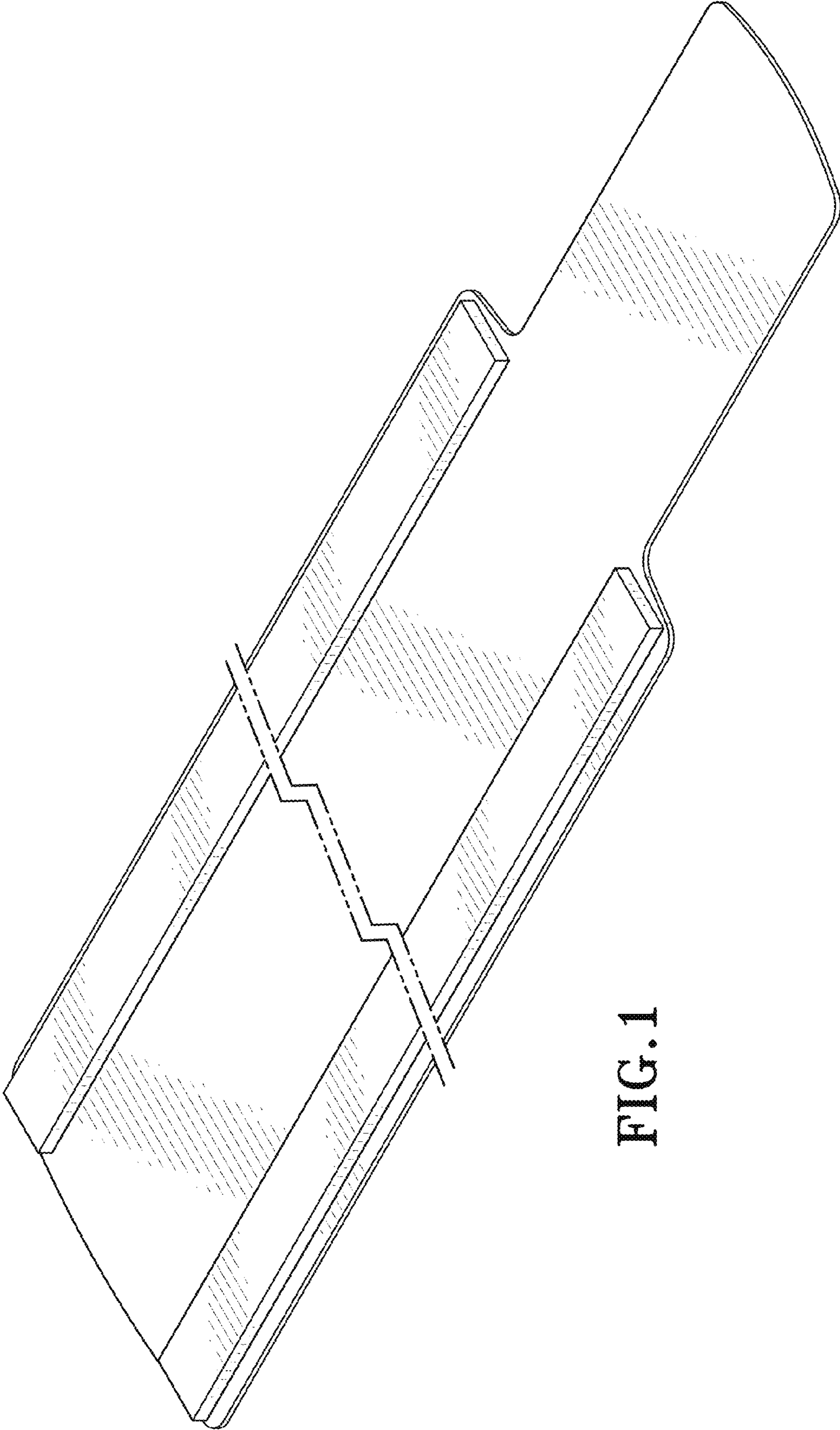


FIG. 1



FIG. 2



FIG. 3

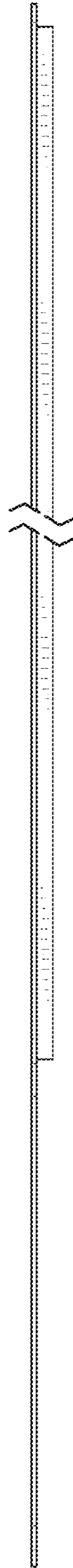


FIG. 4

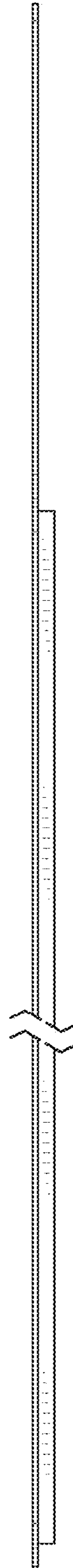


FIG. 5

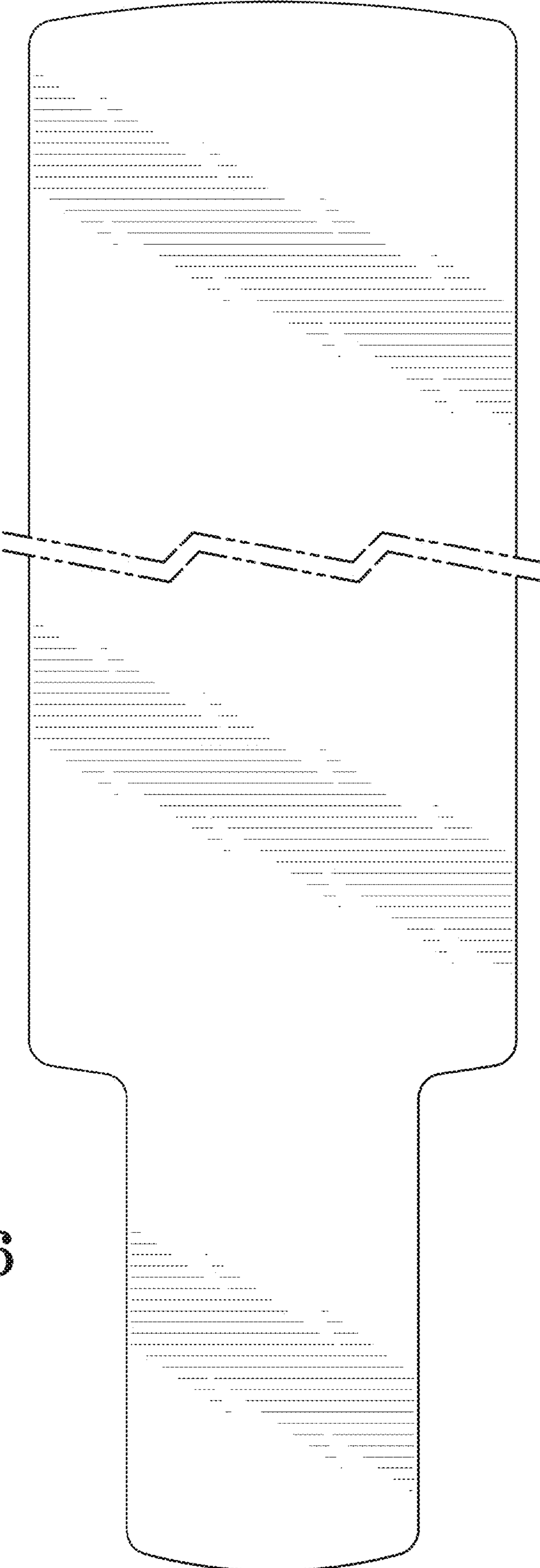


FIG. 6

FIG. 7

