



US00D886740S

(12) **United States Design Patent**
Kuwahara et al.

(10) **Patent No.:** **US D886,740 S**
(45) **Date of Patent:** **** Jun. 9, 2020**

- (54) **IMPELLER OF WATERWHEEL**
- (71) Applicant: **ELIS CO., LTD.**, Okayama (JP)
- (72) Inventors: **Jun Kuwahara**, Okayama (JP); **Soichi Sasaki**, Nagasaki (JP); **Yuichiro Oya**, Nagasaki (JP)
- (73) Assignee: **ELIS CO., LTD.**, Okayama (JP)

D716,228	S *	10/2014	McCamley	D13/115
9,206,784	B2 *	12/2015	Alfonsi	F01D 1/14
D761,881	S *	7/2016	Small	D15/28
2004/0036297	A1 *	2/2004	John	F03D 3/0409
					290/55
2012/0061970	A1 *	3/2012	Zivkovich	F03D 1/04
					290/55
2012/0139251	A1 *	6/2012	Pai	F03B 17/067
					290/54
2018/0066632	A1 *	3/2018	Chung	F03D 13/20

(**) Term: **15 Years**

FOREIGN PATENT DOCUMENTS

(21) Appl. No.: **29/621,470**

JP D1514101 S 12/2014

(22) Filed: **Oct. 9, 2017**

* cited by examiner

(30) **Foreign Application Priority Data**

Primary Examiner — Derrick E Holland

Apr. 11, 2017 (JP) 2017-007650

(74) *Attorney, Agent, or Firm* — Pearne & Gordon LLP

(51) **LOC (12) Cl.** **13-01**

(57) **CLAIM**

(52) **U.S. Cl.**

The ornamental design for an impeller of waterwheel, as shown and described.

USPC **D13/122**; D13/115

(58) **Field of Classification Search**

DESCRIPTION

USPC D13/101, 102, 112, 113, 114, 115, 118,
D13/122, 173, 175, 184, 199; D15/5, 7,
D15/28; D23/379, 411; D10/59

FIG. 1 is a front view of an impeller of waterwheel showing our new design;
 FIG. 2 is a rear view thereof;
 FIG. 3 is a left side view thereof;
 FIG. 4 is a right side view thereof;
 FIG. 5 is a perspective view thereof;
 FIG. 6 is a top view thereof;
 FIG. 7 is a bottom view thereof;
 FIG. 8 is a cross-sectional view thereof taken along section line 8-8 of FIG. 1; and,
 FIG. 9 is a cross-sectional view thereof taken along section line 9-9 of FIG. 1.

CPC G09B 23/08; G09B 23/12; F03D 3/0409;
F03D 3/0427; F03D 3/005; F03D 3/067;
F03D 1/00; F03D 1/04; F03B 7/00; F03B
17/06; F03B 17/065; H02K 7/183

See application file for complete search history.

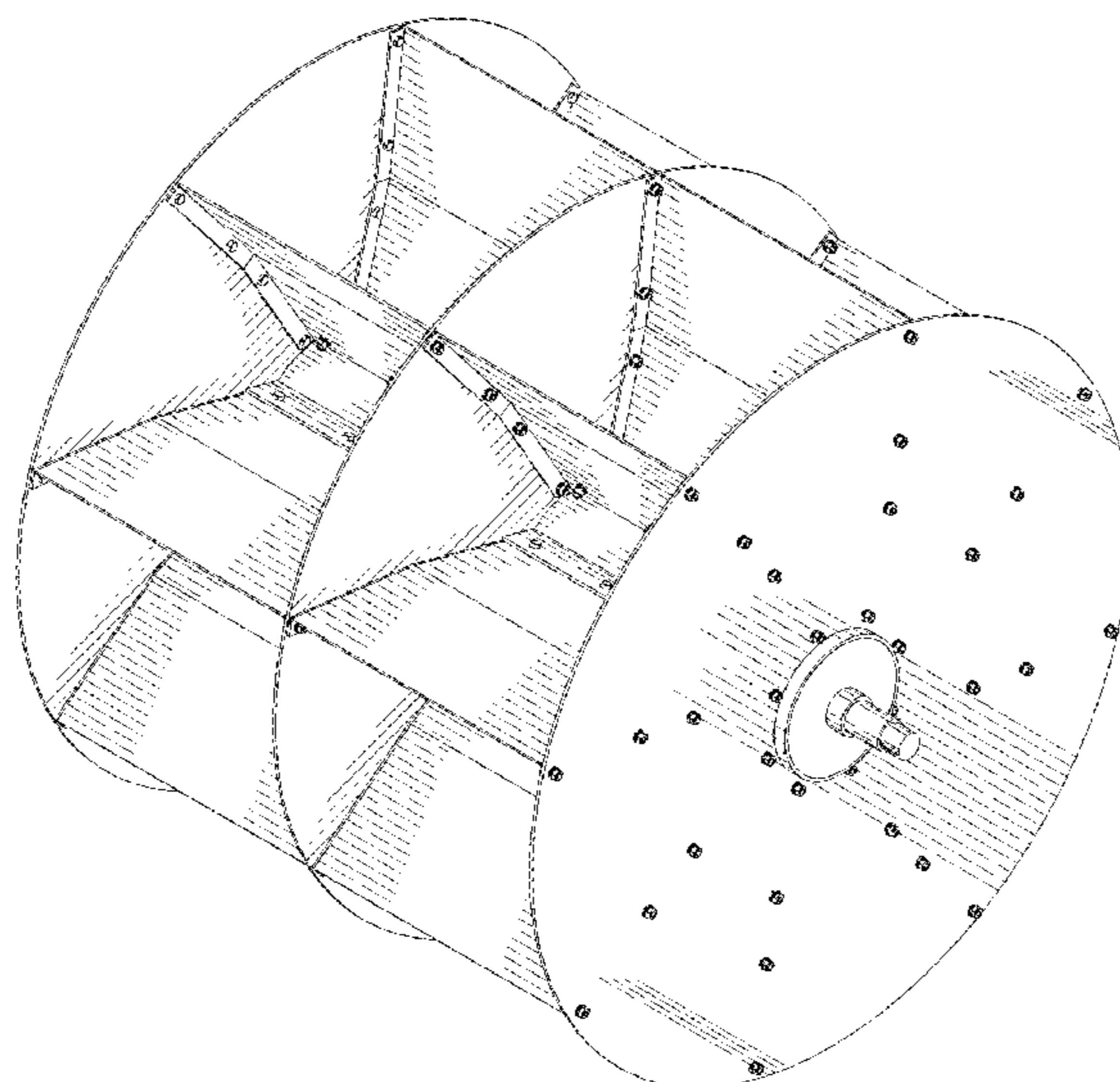
The particular cross-hatching patterns in FIGS. 1-9 do not represent any particular materials.

(56) **References Cited**

1 Claim, 9 Drawing Sheets

U.S. PATENT DOCUMENTS

5,049,080	A *	9/1991	Kriebel	G09B 23/08
					434/126
D511,323	S *	11/2005	Kato	D13/115
D533,935	S *	12/2006	Chen	D23/411
D616,468	S *	5/2010	Bossom	D15/7
8,210,817	B2 *	7/2012	Iskrenovic	F03D 1/00
					416/197 A
D699,835	S *	2/2014	Kenyon	D23/413



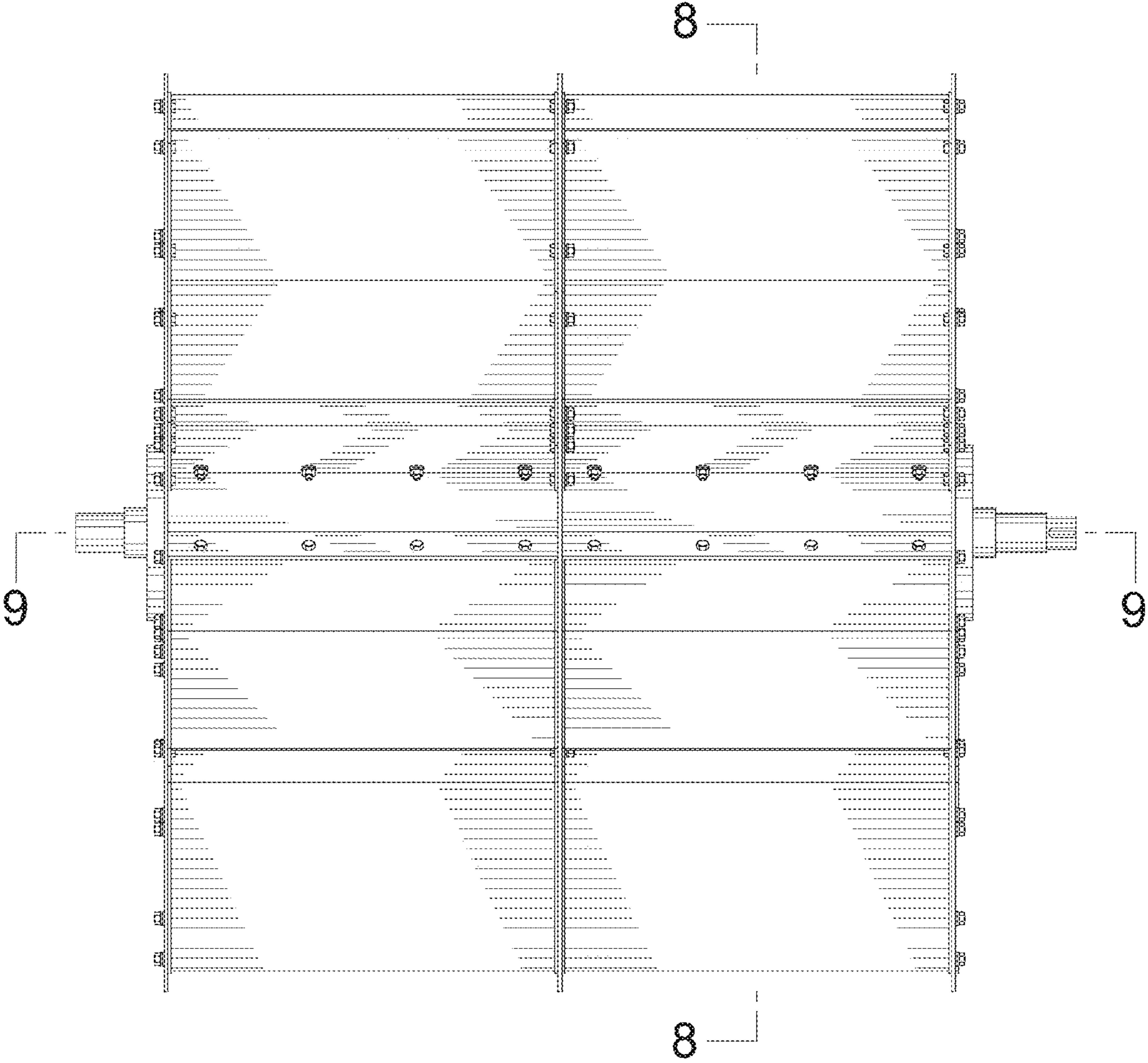


Fig. 1

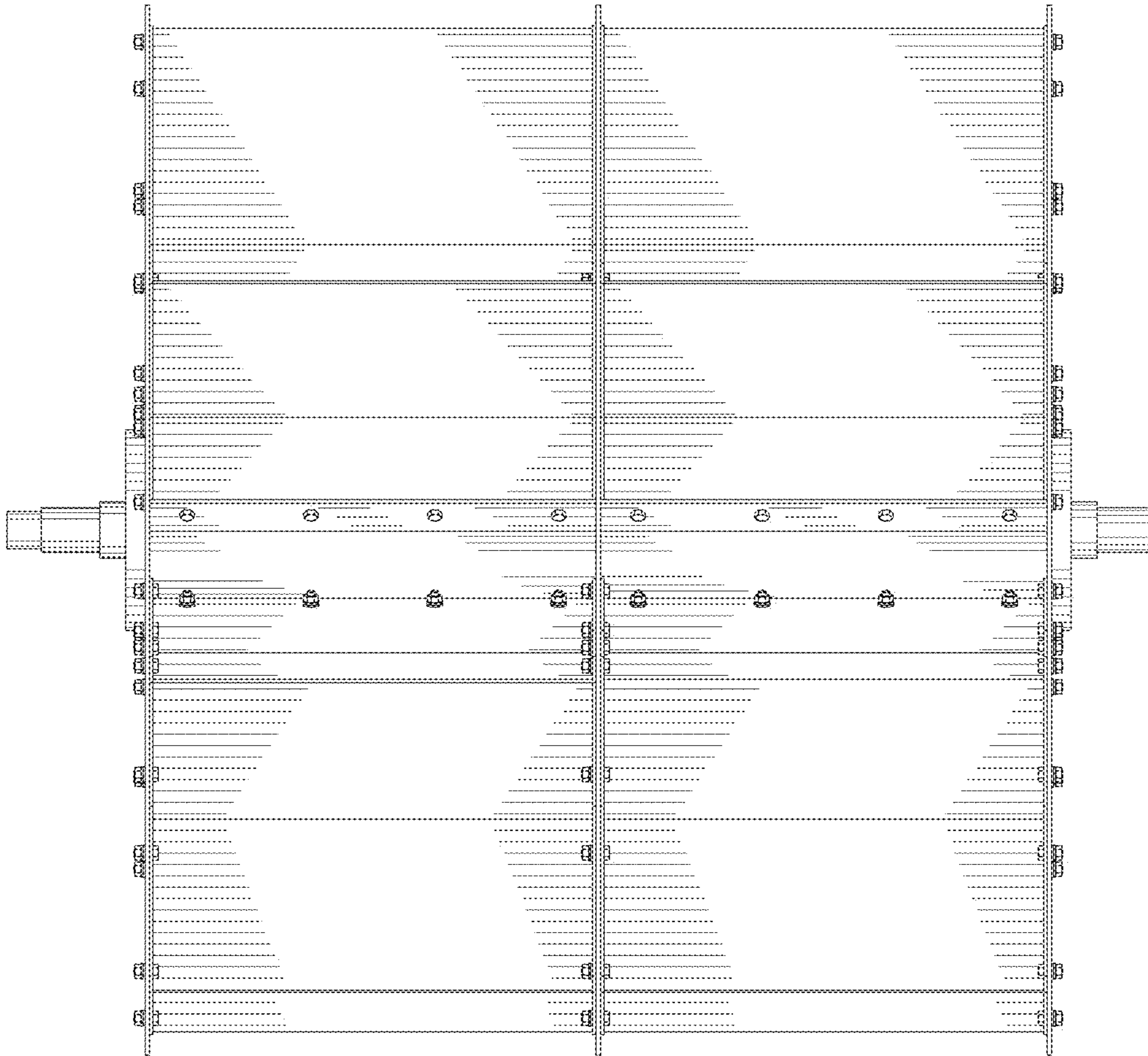


Fig. 2

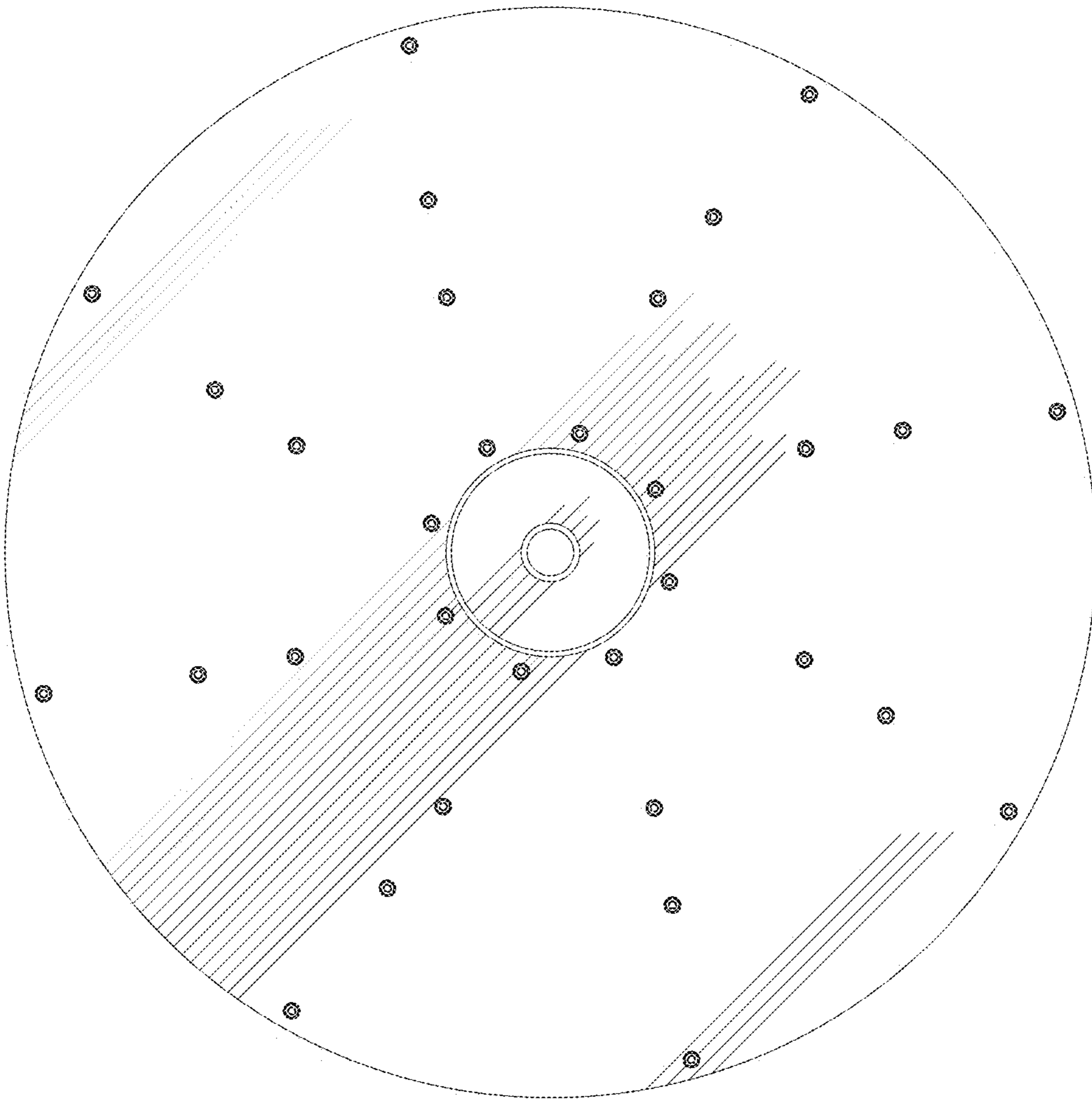


Fig. 3

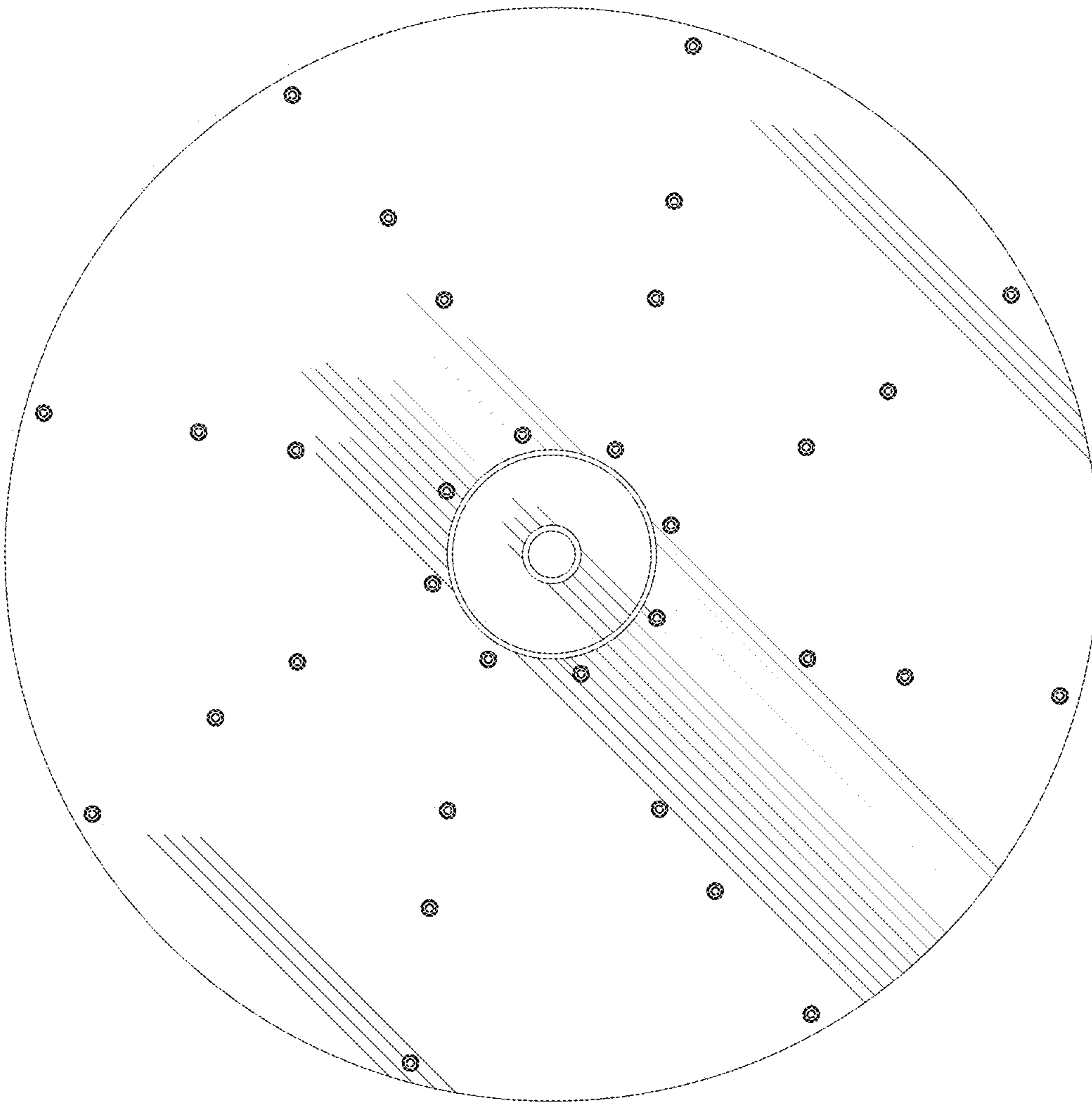


Fig. 4

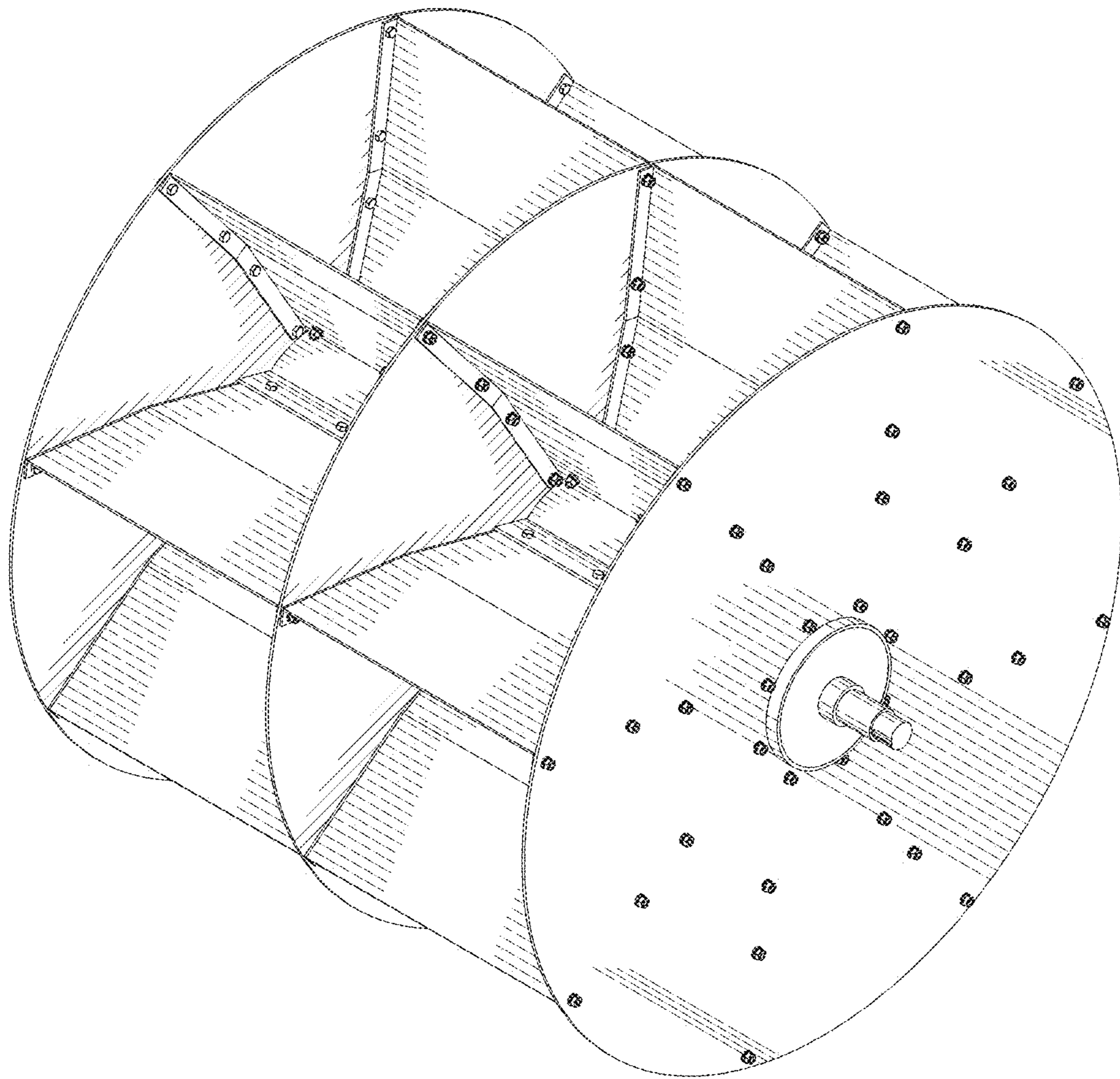


Fig. 5

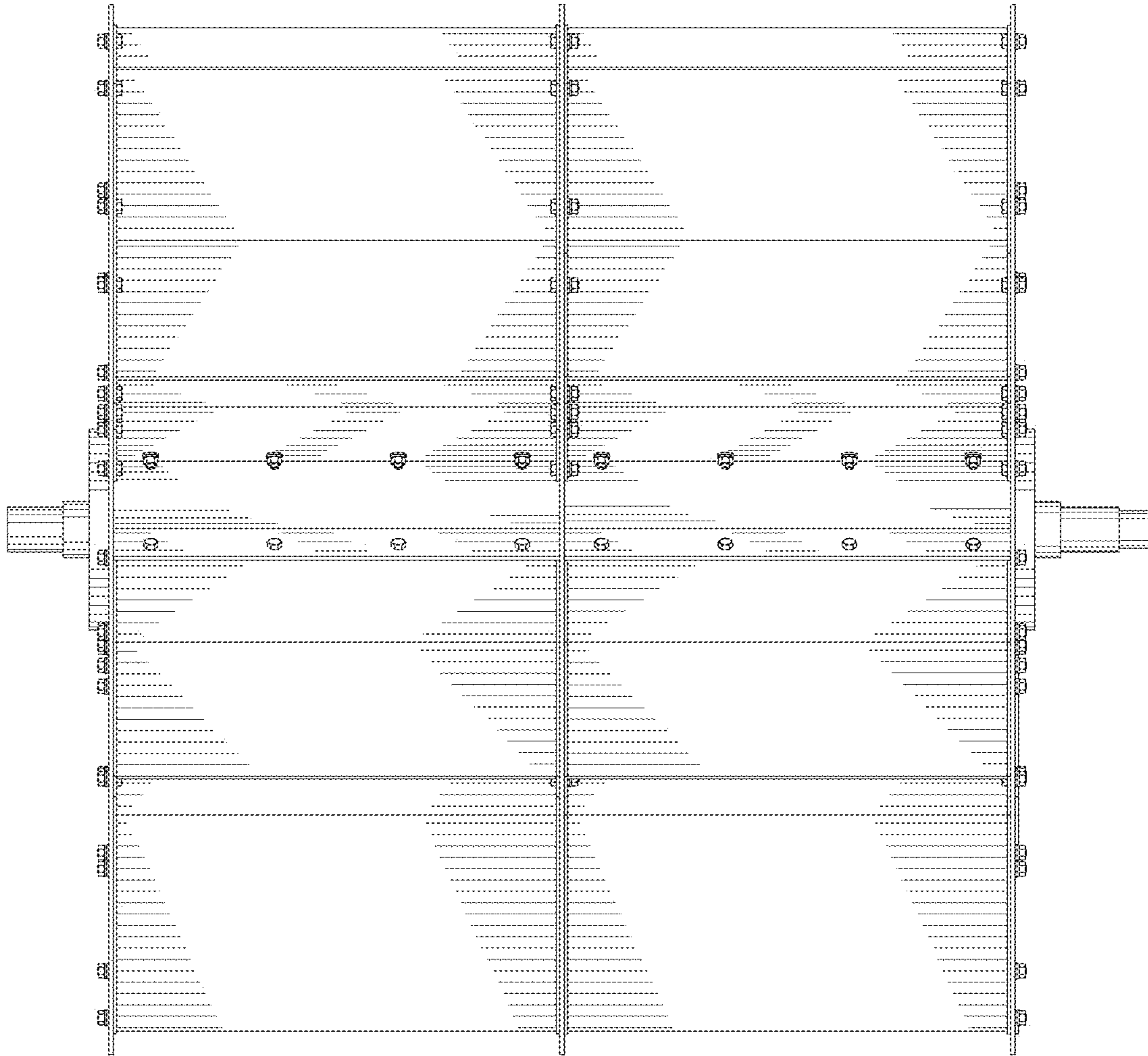


Fig. 6

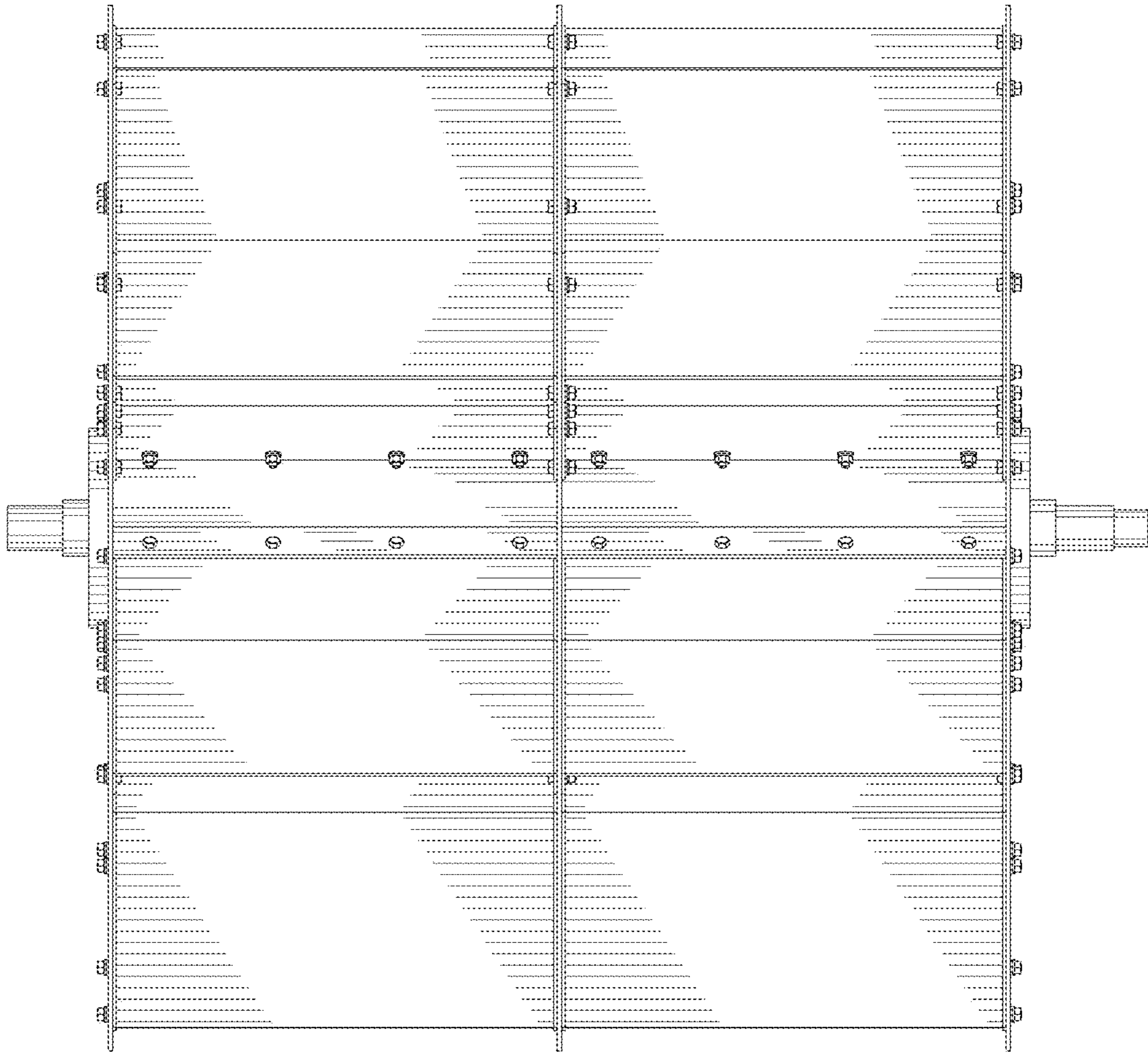


Fig. 7

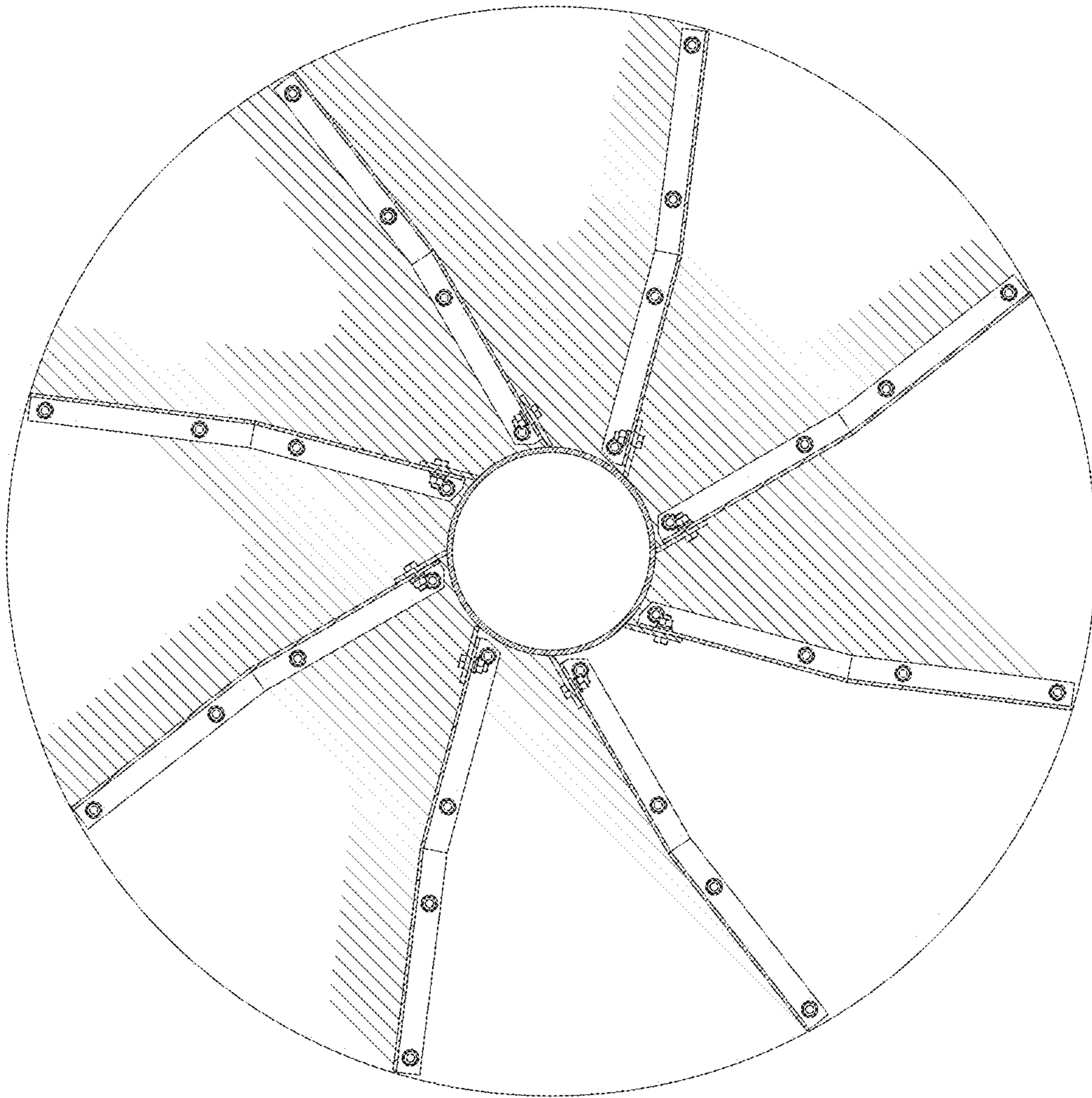


Fig. 8

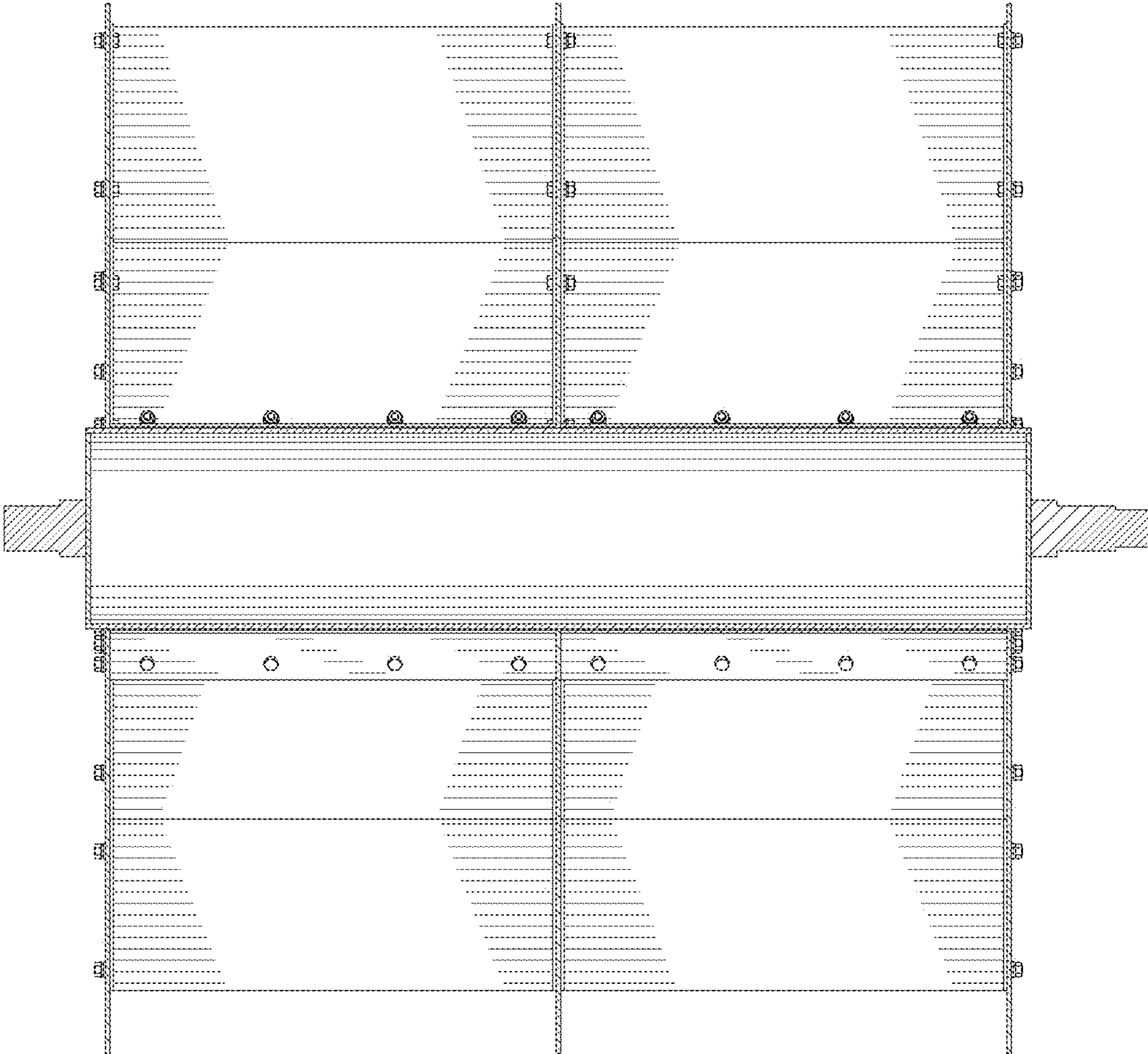


Fig. 9