



US00D886738S

(12) **United States Design Patent**
Huang

(10) **Patent No.:** **US D886,738 S**

(45) **Date of Patent:** **** Jun. 9, 2020**

- (54) **BATTERY CASE**
- (71) Applicant: **Xiaoxia Huang**, Pingyuan County, Guangdong (CN)
- (72) Inventor: **Xiaoxia Huang**, Pingyuan County, Guangdong (CN)

D777,104 S *	1/2017	Liu	D13/119
D821,968 S *	7/2018	Zhao	D13/103
D823,788 S *	7/2018	Wei	D13/103
D825,464 S *	8/2018	Xie	D13/119
D825,465 S *	8/2018	Deng	D13/119
D853,320 S *	7/2019	Guo	D13/103
D861,606 S *	10/2019	Yang	D13/119
2009/0286144 A1 *	11/2009	Wu	H01M 2/1066 429/100

(**) Term: **15 Years**

* cited by examiner

(21) Appl. No.: **29/631,373**

Primary Examiner — Jennifer O King

(22) Filed: **Dec. 29, 2017**

(74) *Attorney, Agent, or Firm* — Li & Cai Intellectual Property (USA) Office

(51) **LOC (12) Cl.** **13-02**

(57) **CLAIM**

(52) **U.S. Cl.**
USPC **D13/119**

The ornamental design for a “battery case,” as shown and described.

(58) **Field of Classification Search**
USPC D13/103–106, 110, 119–121, 184;
D14/341; D26/37
CPC H01M 2/0202; H01M 2/1077; H01M 2/04;
H01M 2/0404; H01M 2/06; H01M
2/1016; H01M 2/1022
See application file for complete search history.

DESCRIPTION

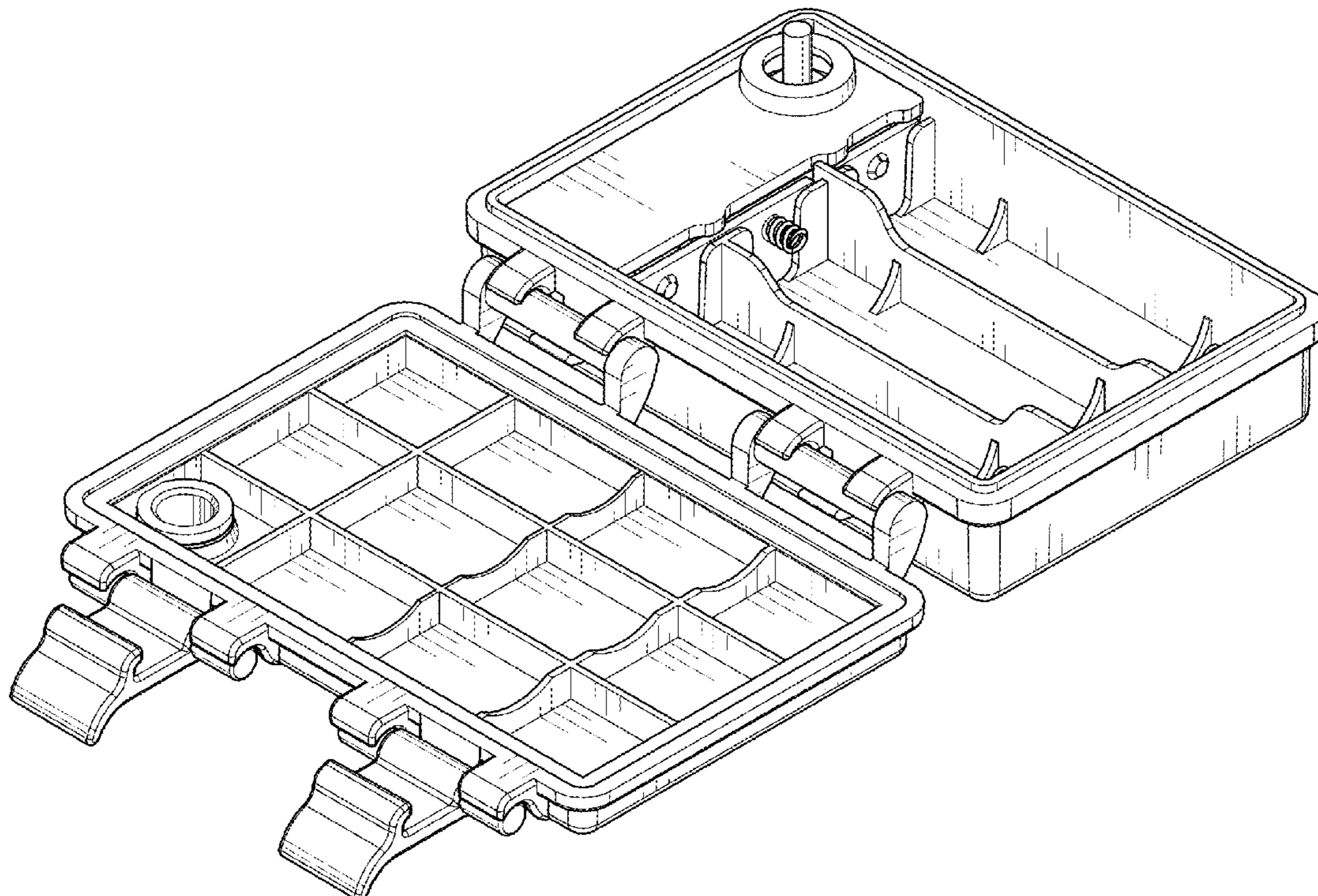
FIG. 1 is a top, front and left perspective view of a battery case showing my new design in an opened status;
FIG. 2 is a front elevational view thereof;
FIG. 3 is a rear elevational view thereof;
FIG. 4 is a left side elevational view thereof;
FIG. 5 is a right side elevational view thereof;
FIG. 6 is a top plan view thereof;
FIG. 7 is a bottom plan view thereof;
FIG. 8 is a rear, bottom and right perspective view thereof;
and,
FIG. 9 is a rear, bottom and right perspective view showing my new design in a closed status.
The broken lines shown represent portions of the battery case that form no part of the claimed design.

(56) **References Cited**

U.S. PATENT DOCUMENTS

D351,503 S *	10/1994	Bach	D3/273
5,955,868 A *	9/1999	Kaite	H01M 2/1055 320/119
6,421,885 B1 *	7/2002	Mowers	H01M 2/1066 24/3.12
D468,688 S *	1/2003	Helman	D13/119
D476,950 S *	7/2003	Peress	D13/103
D759,590 S *	6/2016	Wang	D13/119

1 Claim, 7 Drawing Sheets



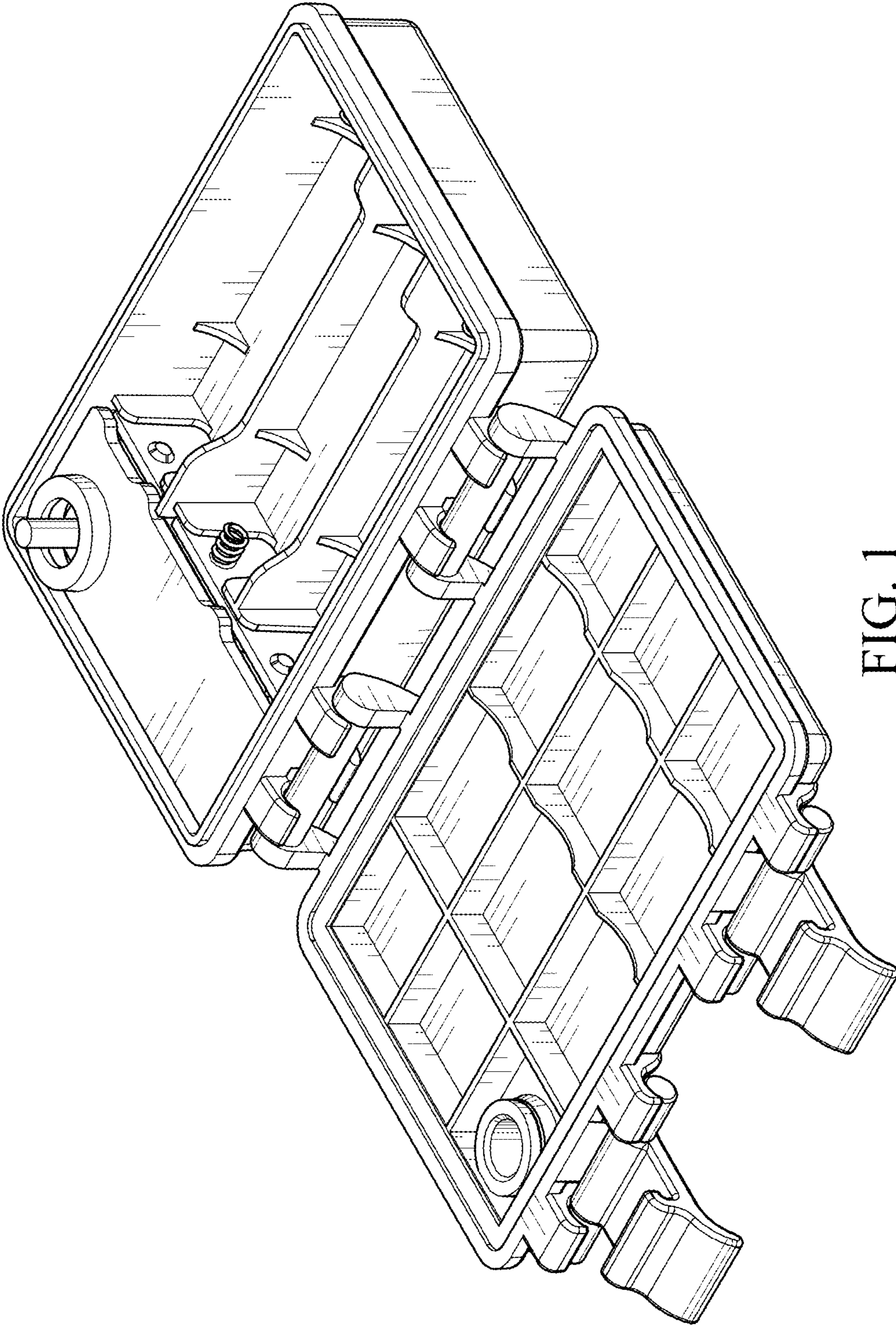


FIG. 1

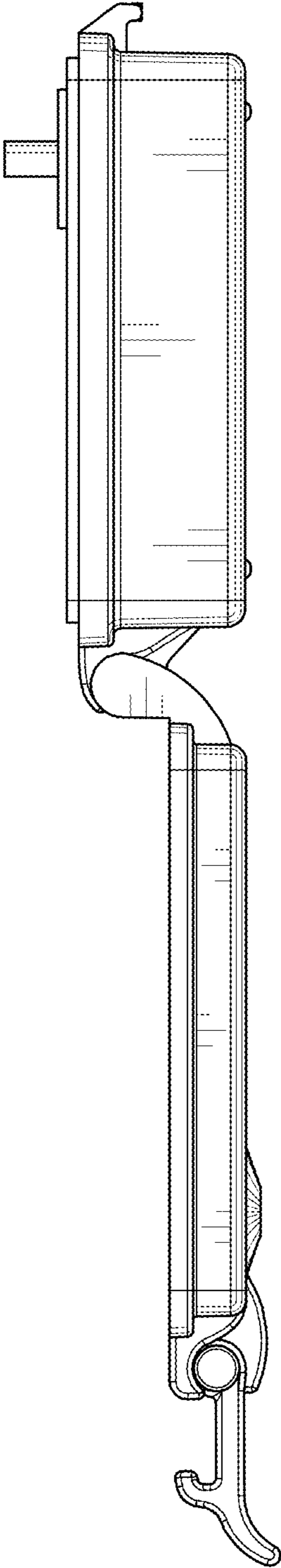


FIG. 2

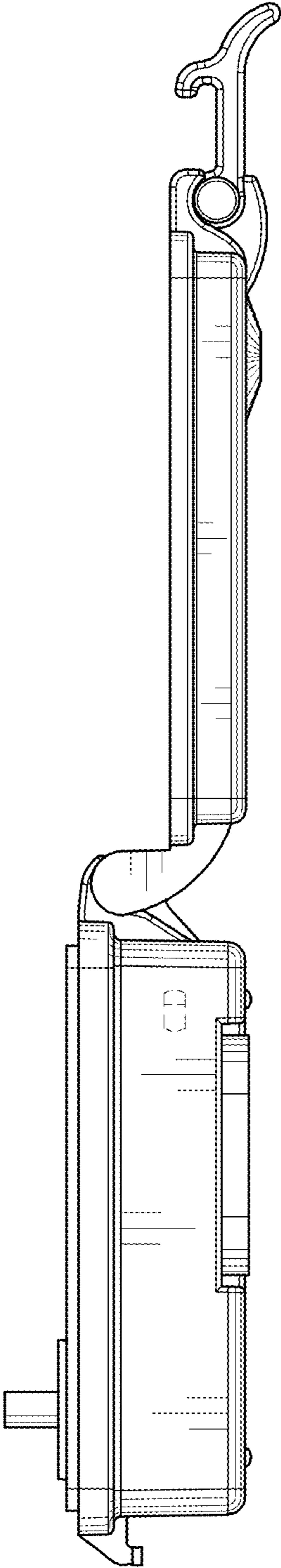


FIG. 3

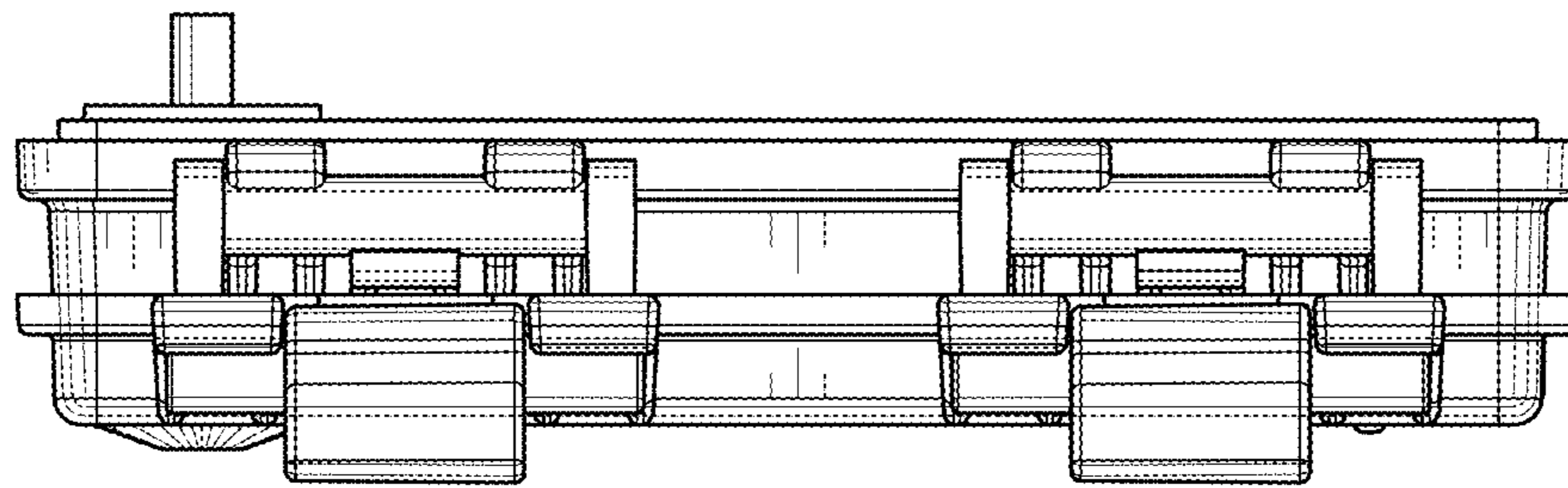


FIG. 4

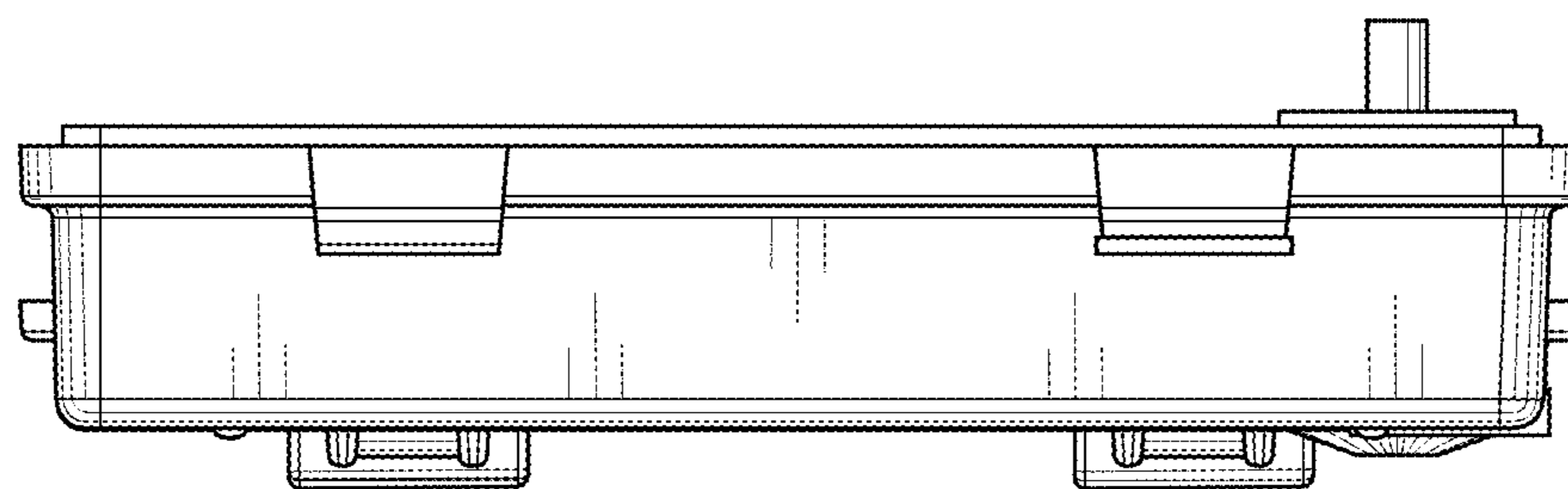


FIG. 5

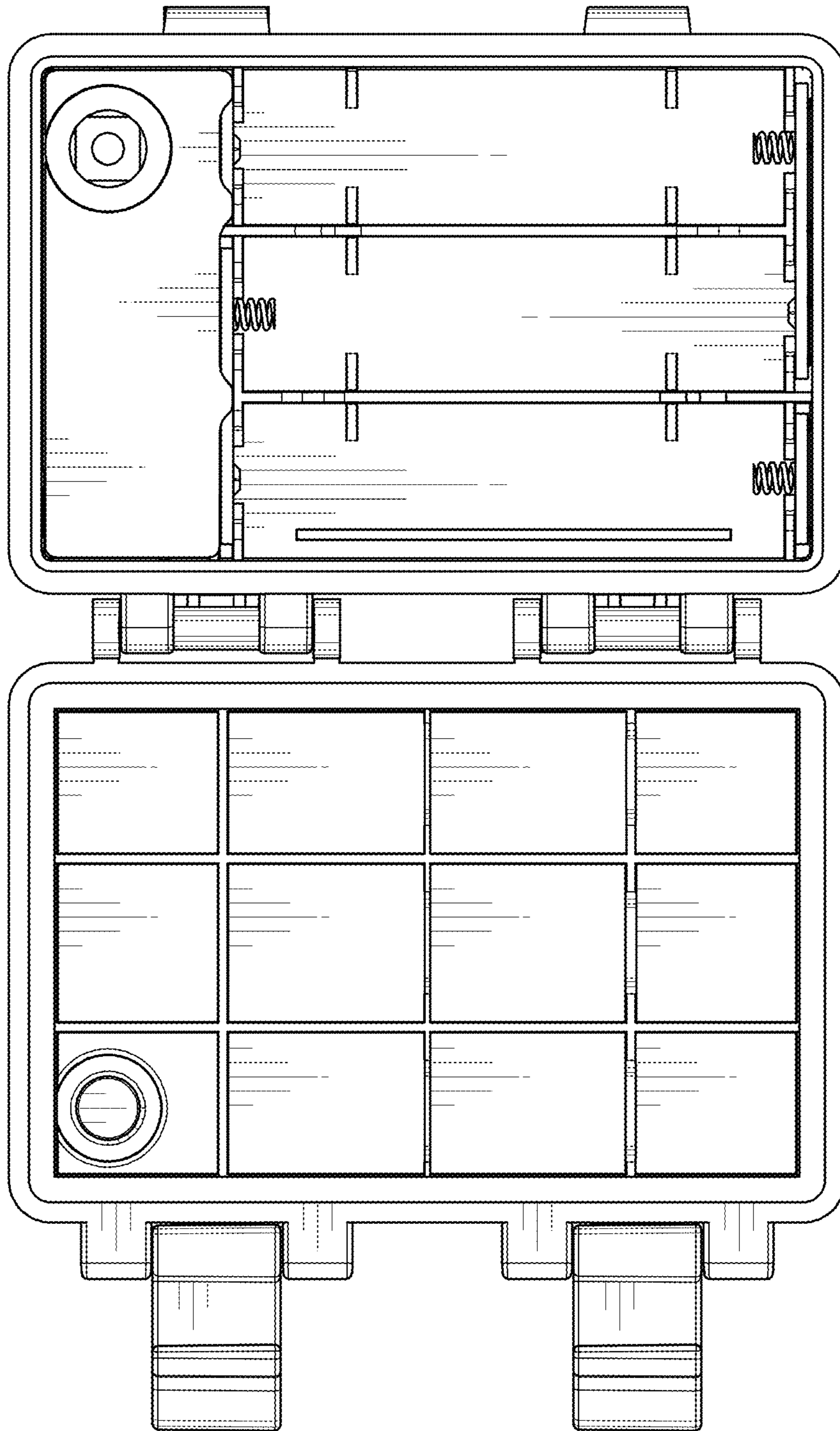


FIG. 6

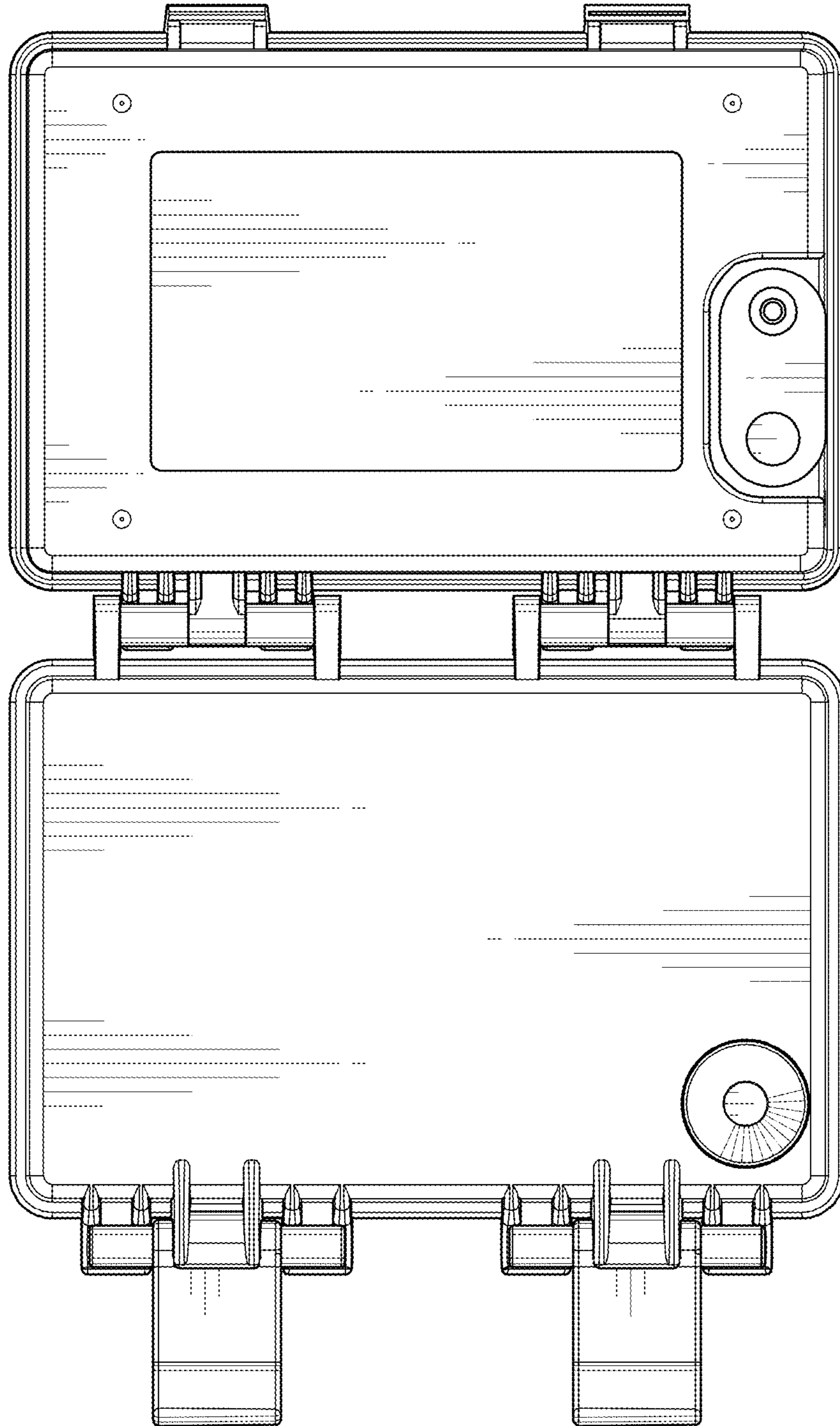


FIG. 7

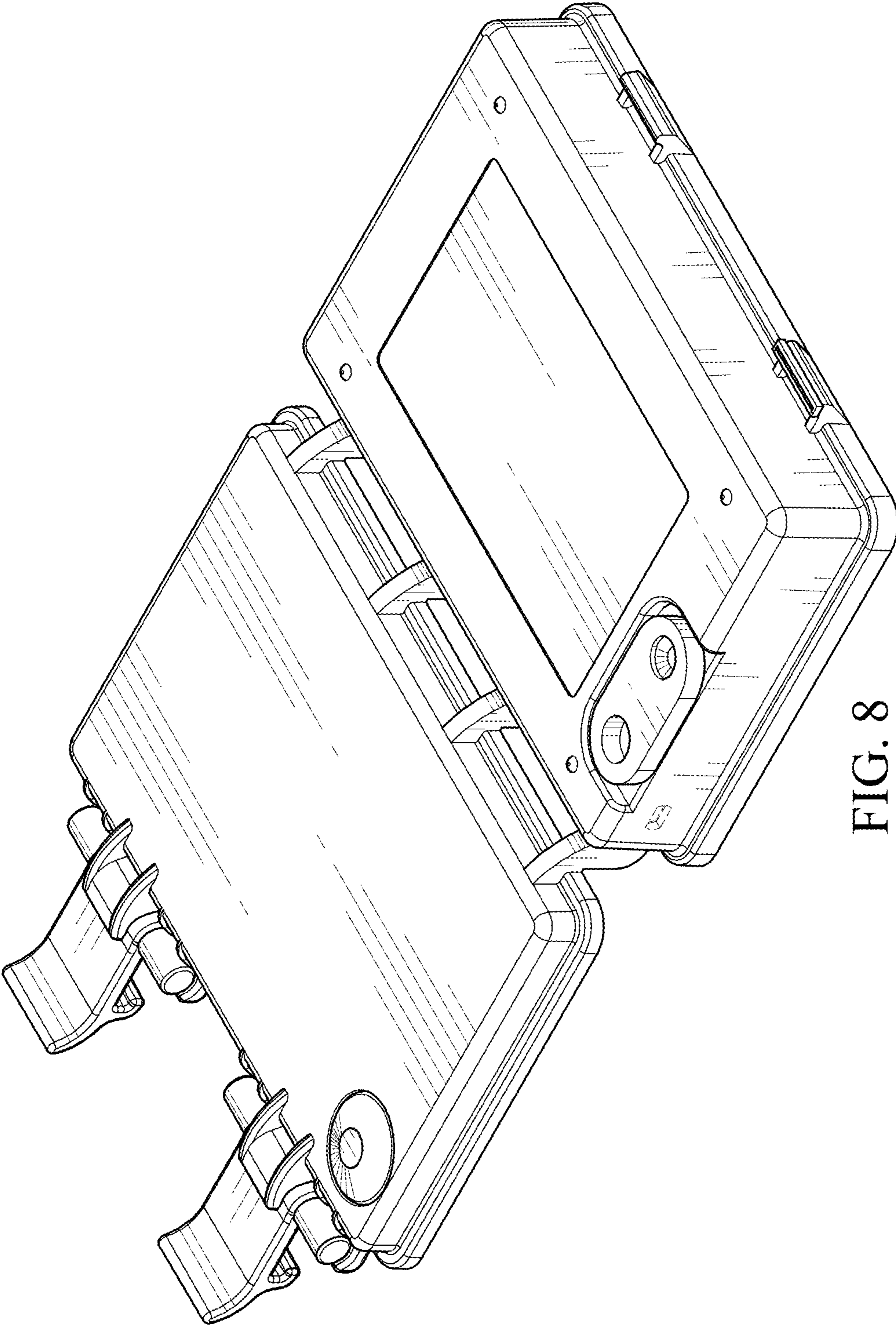


FIG. 8

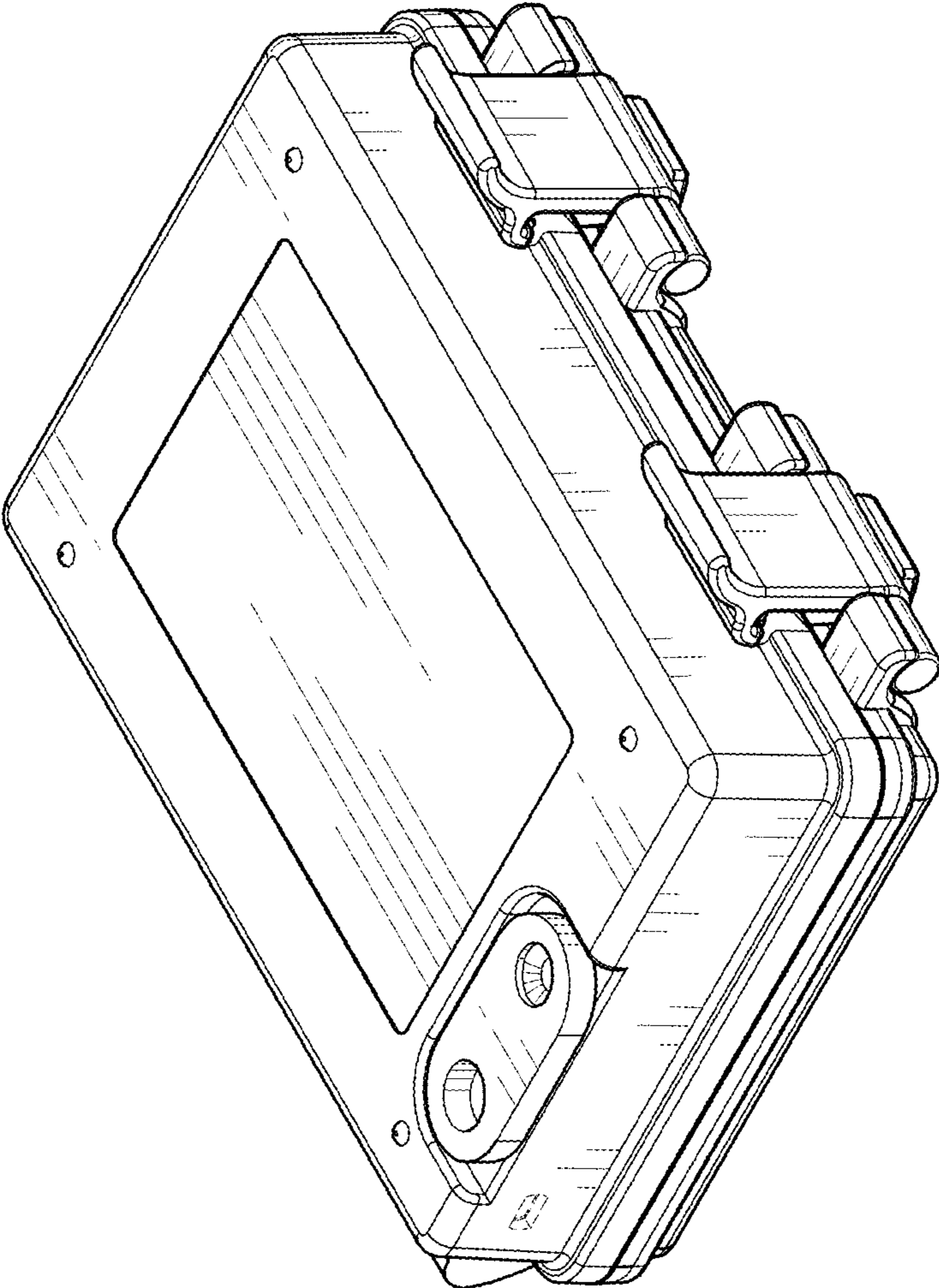


FIG. 9