



US00D886737S

(12) **United States Design Patent** (10) **Patent No.:** **US D886,737 S**
Nanbu et al. (45) **Date of Patent:** **** Jun. 9, 2020**

(54) **MOTOR**
 (71) Applicant: **Panasonic Intellectual Property Management Co., Ltd., Osaka (JP)**
 (72) Inventors: **Yasuo Nanbu, Osaka (JP); Takanori Amaya, Osaka (JP)**
 (73) Assignee: **Panasonic Intellectual Property Management Co., Ltd., Osaka (JP)**
 (**) Term: **15 Years**

D716,227 S * 10/2014 Lau D13/112
 D722,560 S * 2/2015 Lau D13/112
 D741,260 S * 10/2015 Yabuuchi D13/112
 D753,591 S * 4/2016 Noda D13/112
 D775,252 S * 12/2016 Shentu D15/149
 D786,794 S * 5/2017 McCormick D13/112
 9,822,642 B2 * 11/2017 Anderson F01C 21/06
 D806,650 S * 1/2018 Chang D13/112
 D809,459 S * 2/2018 Battistella D13/112
 D810,784 S * 2/2018 Hong D15/1
 D816,031 S * 4/2018 Sakai D13/112
 D821,315 S * 6/2018 Ebner D13/112

(Continued)

(21) Appl. No.: **29/643,614**
 (22) Filed: **Apr. 10, 2018**

FOREIGN PATENT DOCUMENTS

JP D1372992 11/2009
 JP D1487288 1/2014

(30) **Foreign Application Priority Data**

Oct. 20, 2017 (CN) 2017 3 0501009

(51) **LOC (12) Cl.** **13-02**

(52) **U.S. Cl.**
USPC **D13/112**

(58) **Field of Classification Search**
 USPC D26/24, 59, 118, 119, 121, 122, 123,
 D26/124, 128, 129, 130, 131, 132, 133,
 D26/134, 135, 136, 137; D23/370, 377,
 D23/378, 379, 380, 381, 382; D13/112,
 D13/113, 114, 118, 122, 184, 199;
 D15/1, 5
 CPC F04D 25/088; F04D 29/38; F21V 21/03;
 B63H 1/16; H02K 5/06; H02K 5/22;
 H02K 5/225; H02K 11/33; H02K 9/06;
 H02K 9/12; H02K 9/14; H02K 9/18;
 H02K 9/20

See application file for complete search history.

(56) **References Cited**

U.S. PATENT DOCUMENTS

D589,138 S * 3/2009 Kenyon A61M 16/0057
 D24/110
 D709,450 S * 7/2014 Tanabe D13/112

Primary Examiner — Susan Bennett Hattan
Assistant Examiner — Suzanne E Tisdell
 (74) *Attorney, Agent, or Firm* — Panasonic IP Management; Kerry S. Culpepper

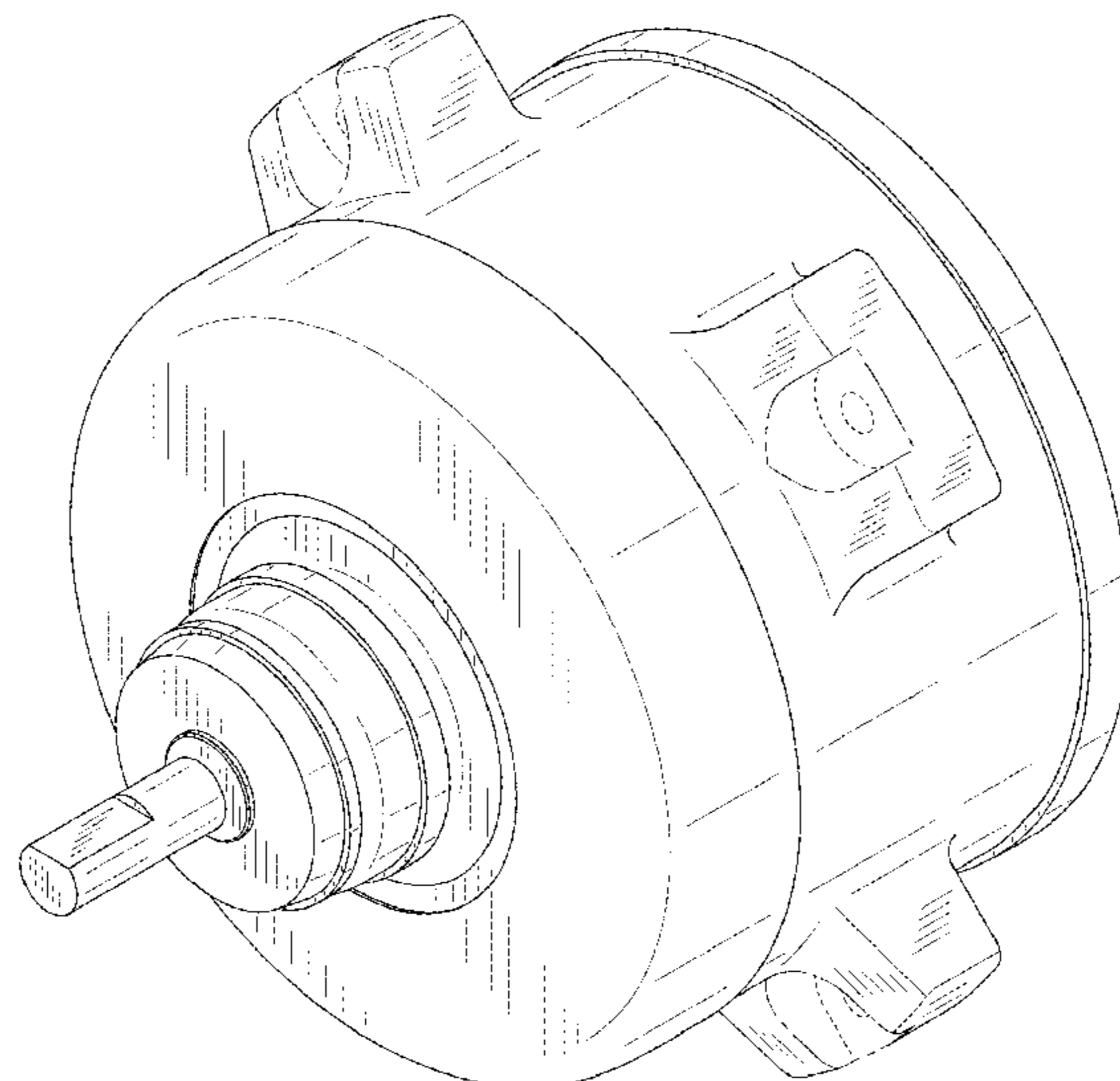
(57) **CLAIM**

We claim the ornamental design for a motor, as shown and described.

DESCRIPTION

FIG. 1 is a front perspective view of a motor of the present invention;
 FIG. 2 is a rear perspective view thereof;
 FIG. 3 is a front view thereof;
 FIG. 4 is a rear view thereof;
 FIG. 5 is a first side view thereof;
 FIG. 6 is a second side view thereof;
 FIG. 7 is a top view thereof; and,
 FIG. 8 is a bottom view thereof.
 The broken lines in the drawings represent portions of the motor that form no part of the claimed design. Additionally, the dash-dot-dashed lines in the drawings define the boundaries of the claimed design.

1 Claim, 8 Drawing Sheets



(56)

References Cited

U.S. PATENT DOCUMENTS

D821,470	S	*	6/2018	Ebner	D15/148
D823,802	S	*	7/2018	Battistella	D13/112
D835,581	S	*	12/2018	Mayor	D13/112
D836,551	S	*	12/2018	Kaneko	D13/112
D842,246	S	*	3/2019	Gan	D13/112
D842,809	S	*	3/2019	Sakai	D13/112
D853,445	S	*	7/2019	Kuratani	D15/1
D853,963	S	*	7/2019	Hilker	D13/112
D853,964	S	*	7/2019	Tanabe	D13/112
D856,279	S	*	8/2019	Chen	D13/112
D857,628	S	*	8/2019	Chen	D13/112
D860,942	S	*	9/2019	Hilker	D13/112
10,458,418	B2	*	10/2019	Yamamoto	F04D 29/601
D868,956	S	*	12/2019	Guthrie	D23/411
D871,335	S	*	12/2019	Hilker	D13/112
10,527,045	B2	*	1/2020	Hornig	H02K 11/33
D876,355	S	*	2/2020	Cai	D13/122
D877,314	S	*	3/2020	Holmes	D23/411
D877,882	S	*	3/2020	Holmes	D23/411

* cited by examiner

FIG. 1

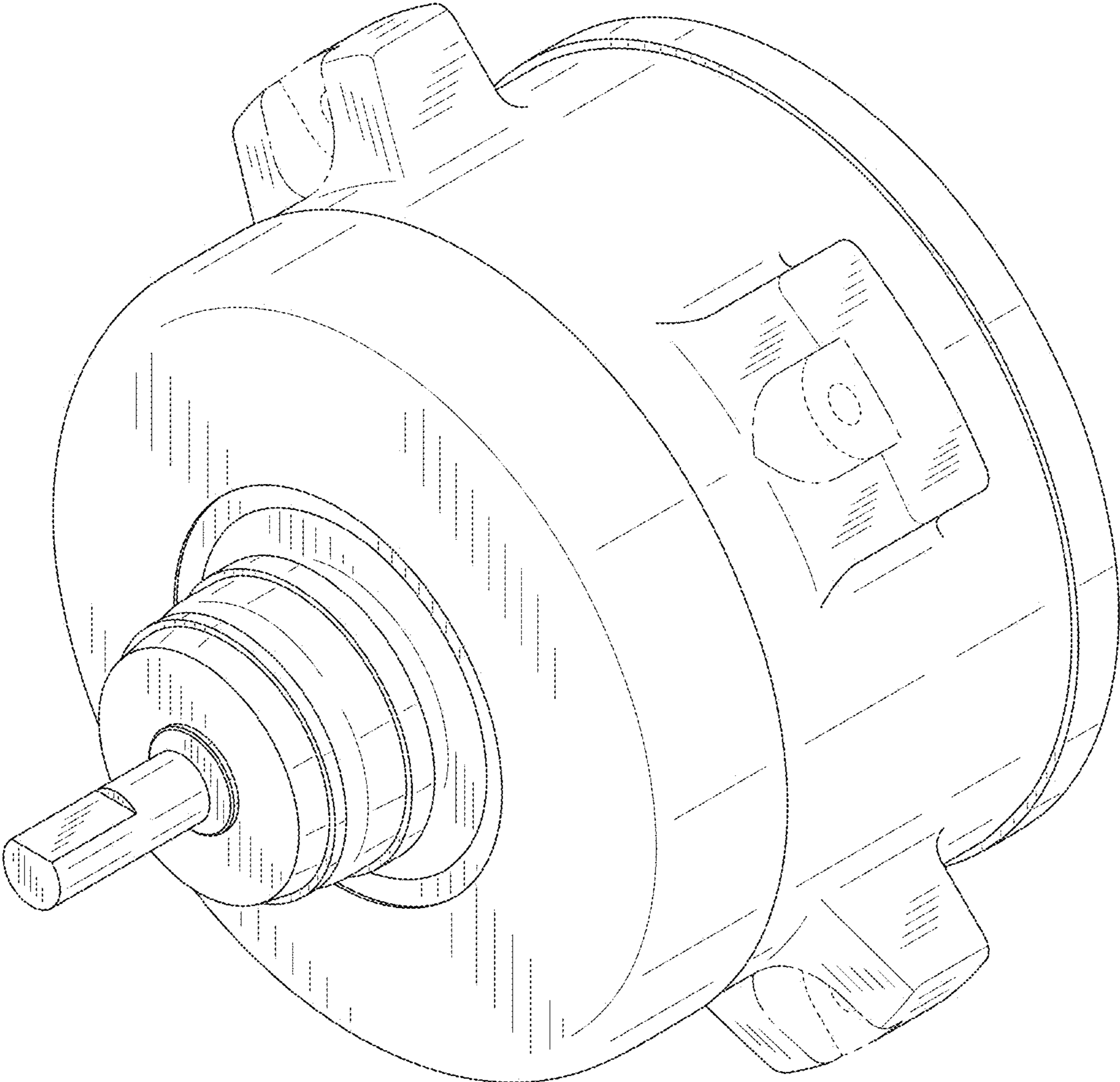


FIG. 2

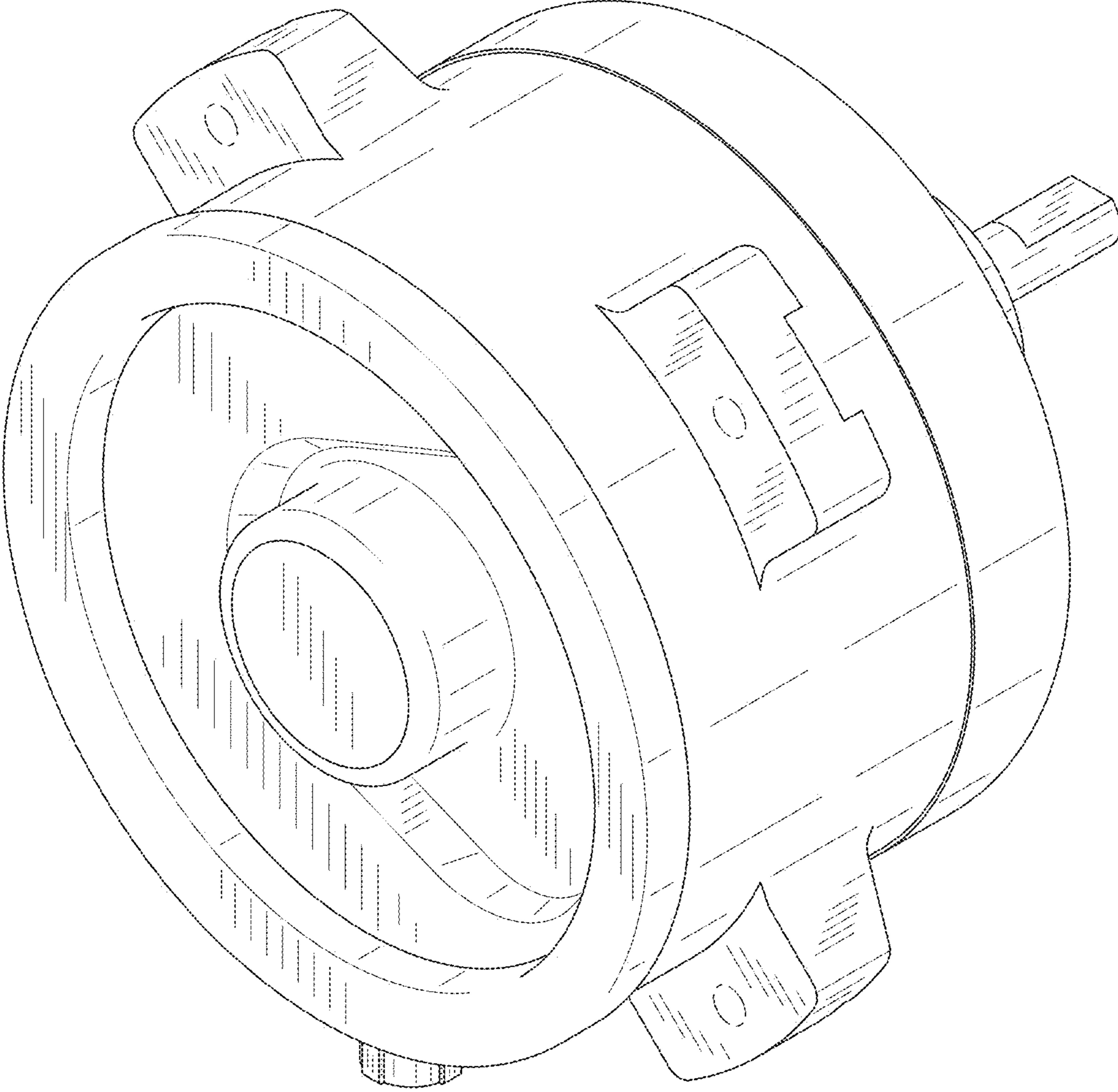


FIG. 3

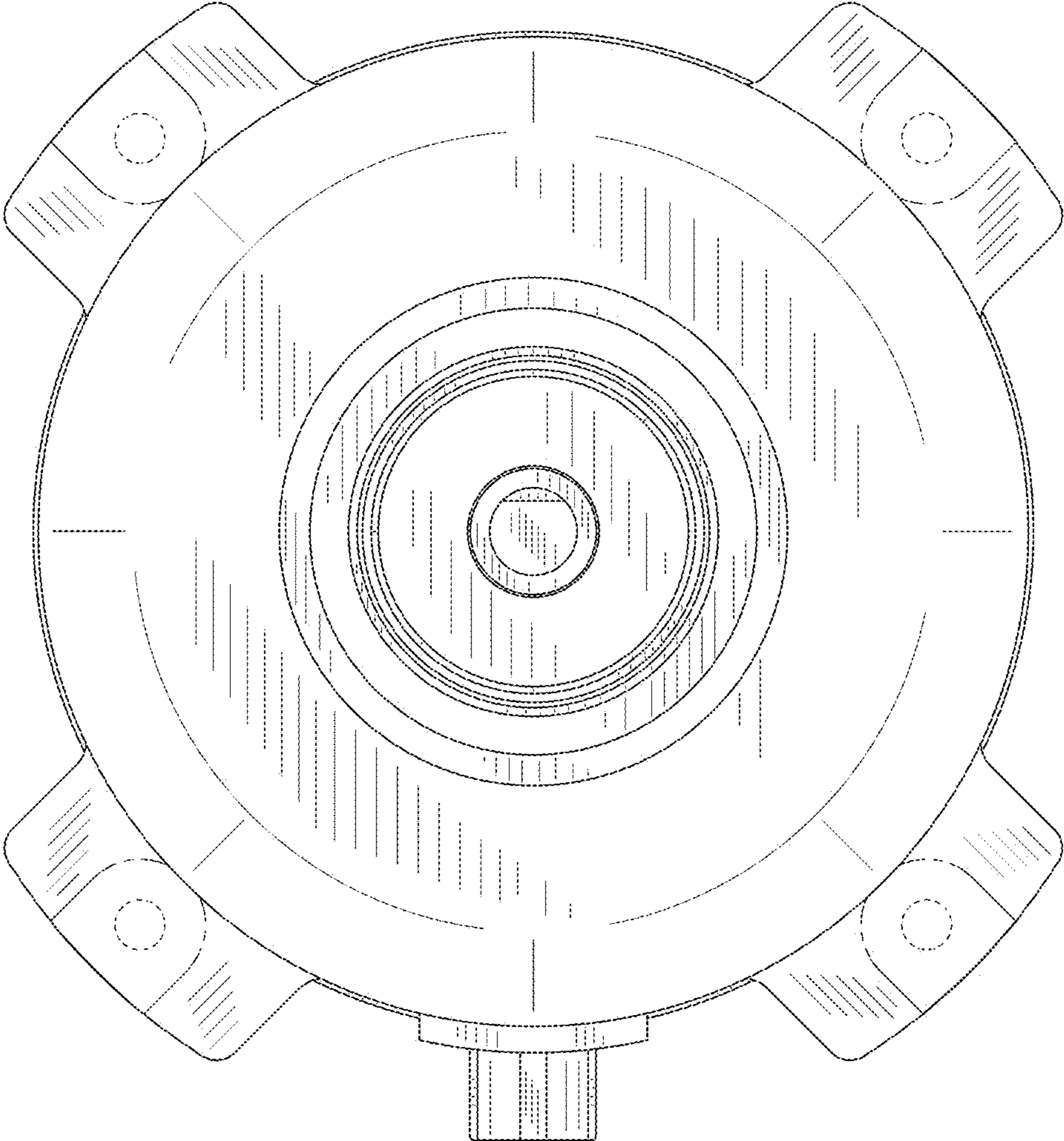


FIG. 4

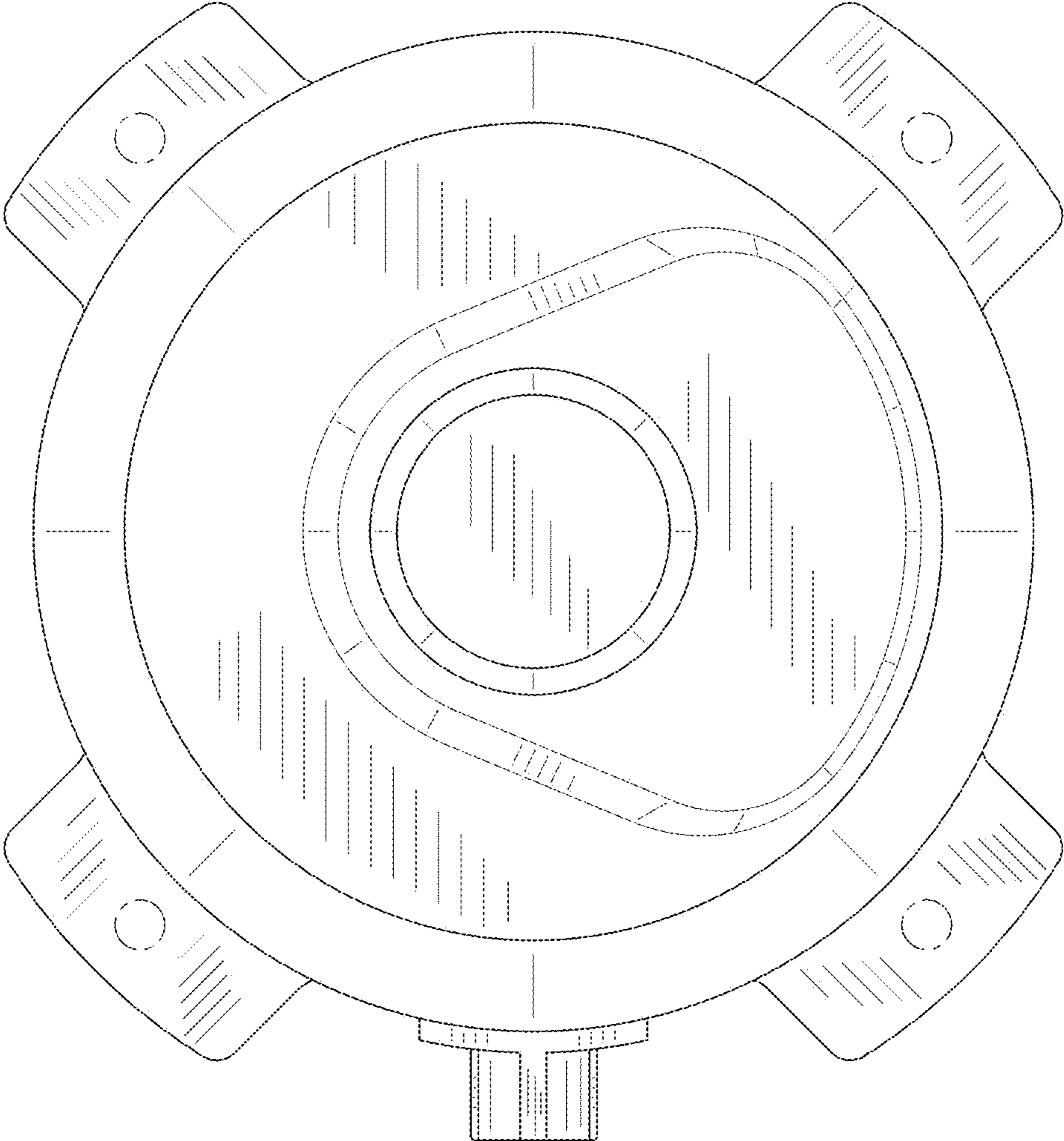


FIG. 5

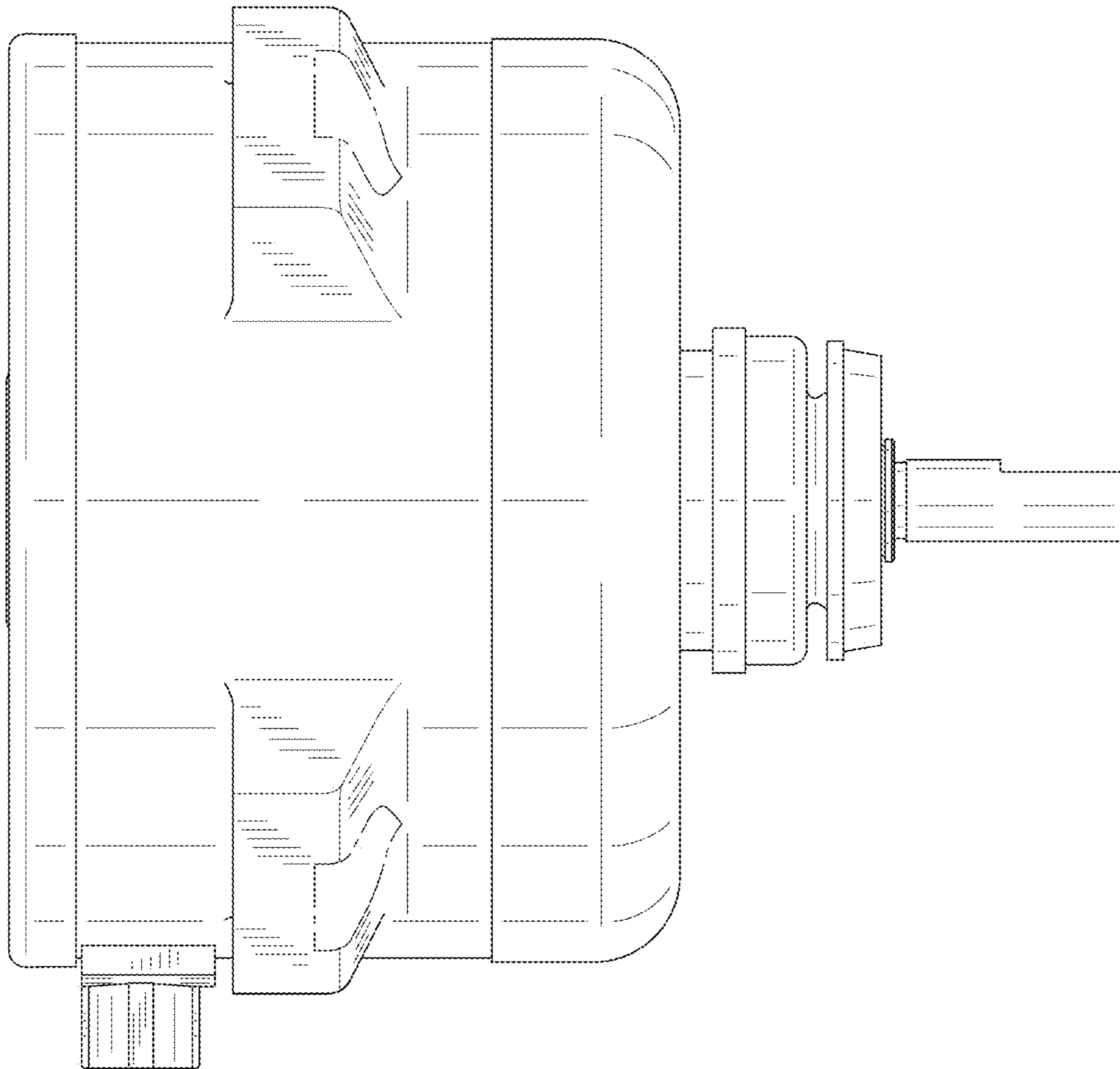


FIG. 6

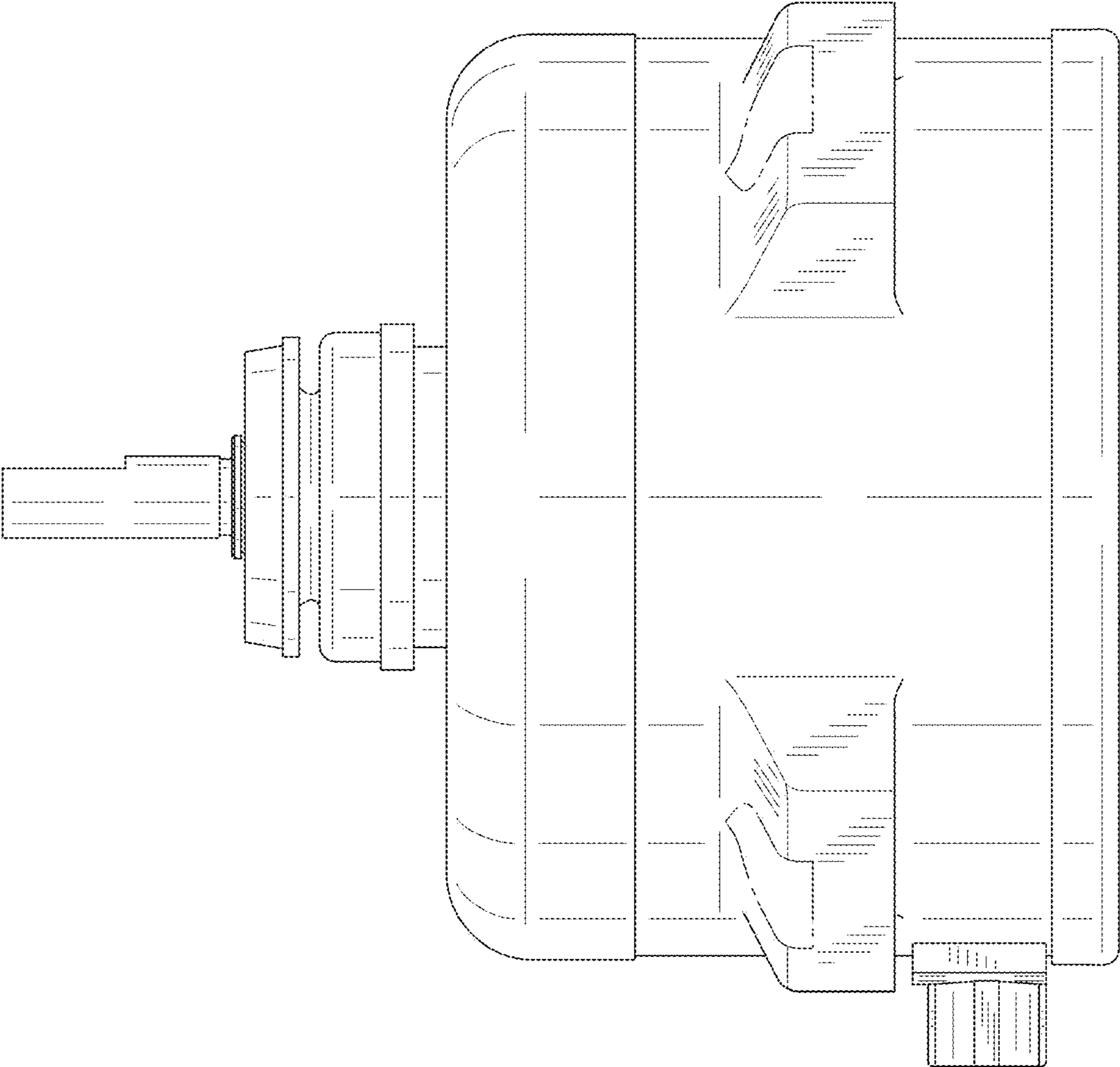


FIG. 7

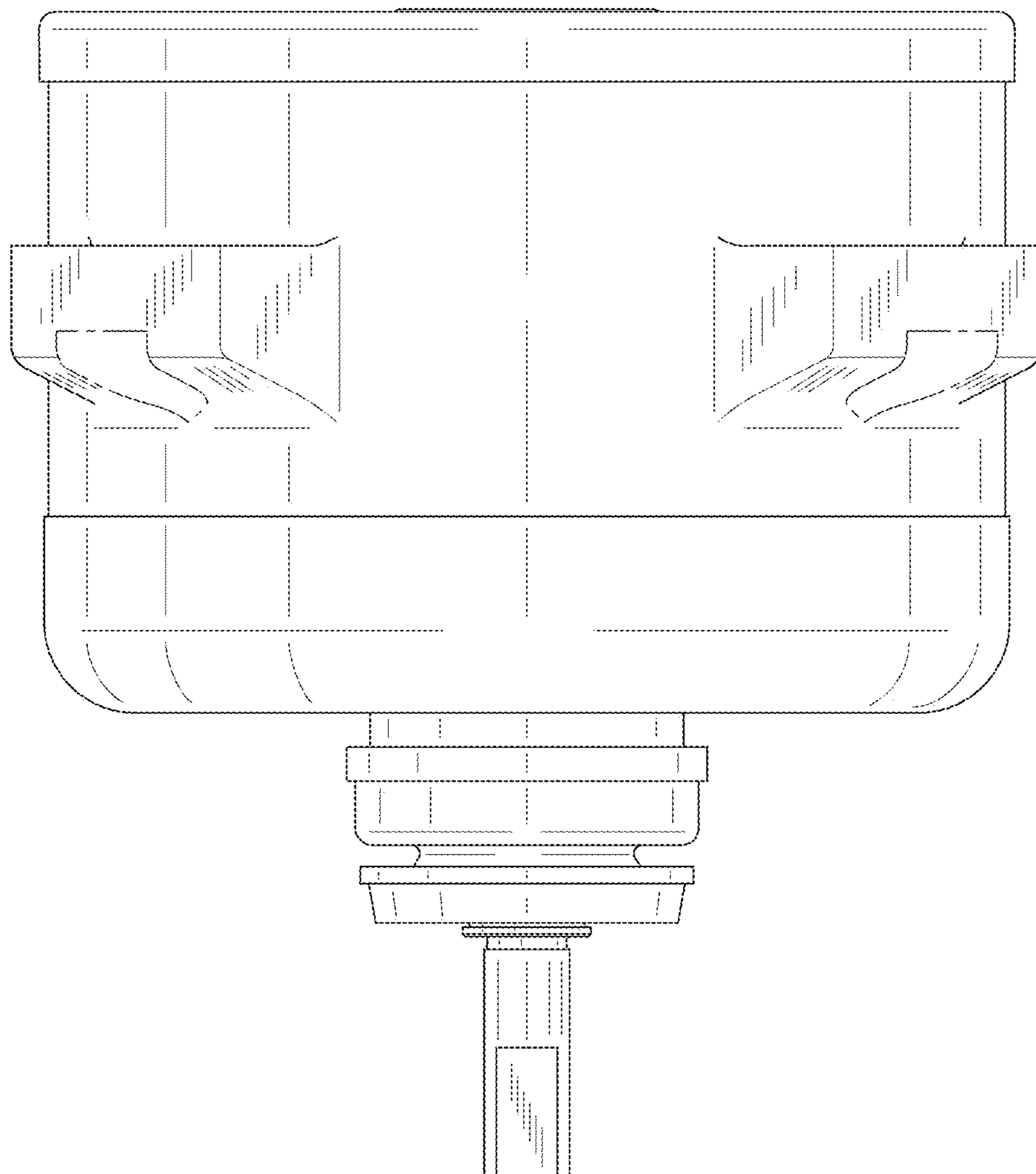


FIG. 8

