



US00D886736S

(12) **United States Design Patent**
Worthy

(10) **Patent No.:** **US D886,736 S**
(45) **Date of Patent:** **** Jun. 9, 2020**

(54) **PULSATING ELECTROMAGNETIC FIELD GENERATOR**

(71) Applicant: **Robbie Lemar Worthy**, Albuquerque, MN (US)

(72) Inventor: **Robbie Lemar Worthy**, Albuquerque, MN (US)

(**) Term: **15 Years**

(21) Appl. No.: **29/688,812**

(22) Filed: **Apr. 24, 2019**

Related U.S. Application Data

(63) Continuation-in-part of application No. 29/678,361, filed on Jan. 28, 2019.

(51) **LOC (12) Cl.** **13-02**

(52) **U.S. Cl.**
USPC **D13/110**

(58) **Field of Classification Search**

USPC D13/105, 106, 107, 108, 109, 110, 118, D13/119, 184, 199; D14/251, 253, 432, D14/434

CPC Y02E 60/10; Y02E 60/12; Y02E 60/122; Y02E 60/124; Y02E 60/50; H01M 2/02; H01M 2/022; H01M 2/0202; H01M 2/0207; H01M 2/0212; H01M 2/1061; H01M 10/44; H01M 10/46; H01M 10/465; H01M 10/482

See application file for complete search history.

(56) **References Cited**

U.S. PATENT DOCUMENTS

D719,505 S * 12/2014 Kim D13/108
D782,973 S * 4/2017 Zhou D13/108

D786,791 S * 5/2017 Jeong D13/108
D812,556 S * 3/2018 Xu D13/103
D845,897 S * 4/2019 Kim D13/108
D866,458 S * 11/2019 Chen D13/108
D875,041 S * 2/2020 Chen D13/108
D875,042 S * 2/2020 Ye D13/108
D875,678 S * 2/2020 Kim D13/108

* cited by examiner

Primary Examiner — Susan Bennett Hattan

Assistant Examiner — Suzanne E Tisdell

(57) **CLAIM**

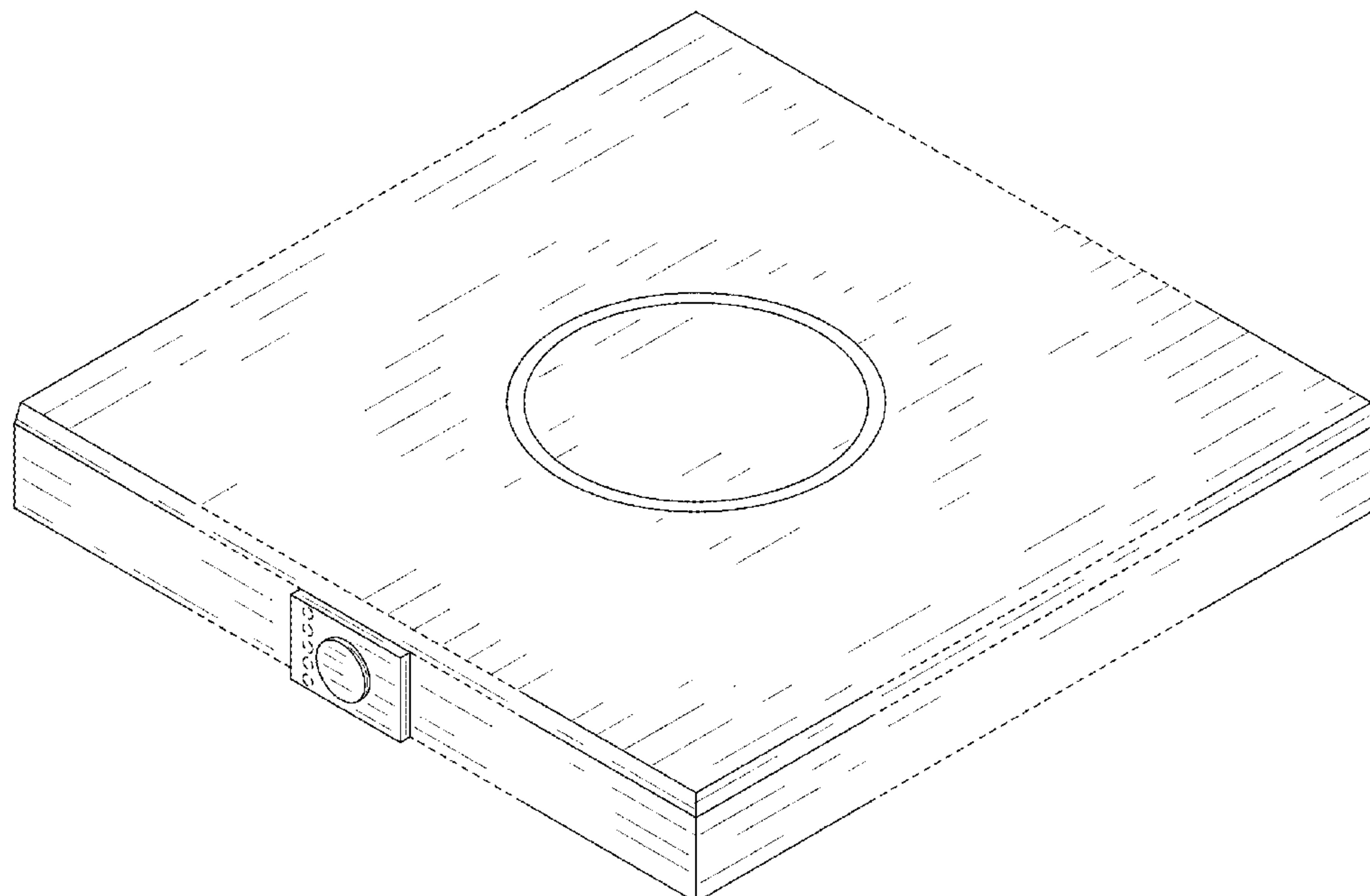
The ornamental design for a pulsating electromagnetic field generator, as shown and described.

DESCRIPTION

FIG. 1 is a top front perspective view of a pulsating electromagnetic field generator showing my new design; FIG. 2 is a bottom front perspective view thereof; FIG. 3 is a top rear perspective view thereof; FIG. 4 is a bottom rear perspective view thereof; FIG. 5 is a front view thereof; FIG. 6 is a rear view thereof; FIG. 7 is a top view thereof; FIG. 8 is a bottom view thereof; FIG. 9 is a right side view thereof; and, FIG. 10 is a left side view thereof.

The broken line showing not-claimed items illustrated in figures; i.e. segments of wall surfaces between each corner of the pulsating electromagnetic field generator in FIG. 1 through FIG. 10, a plurality of light indicators in FIG. 1 through FIG. 2 and in FIG. 6, and a port for an electrical power outlet in FIG. 4 and in FIG. 7; is included for the purpose of illustrating environmental structure and forms no part of the claimed design.

1 Claim, 10 Drawing Sheets



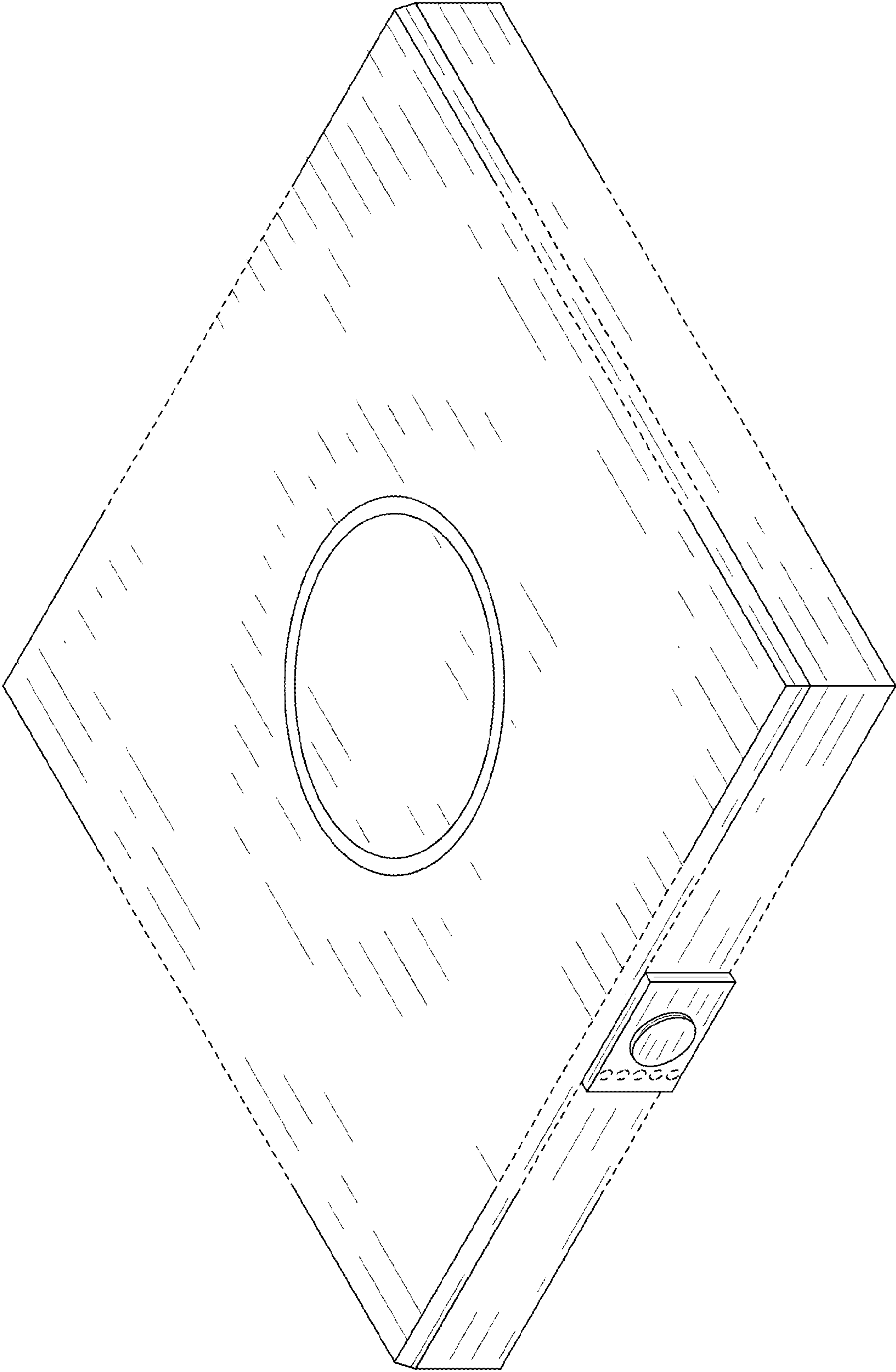


FIG 1

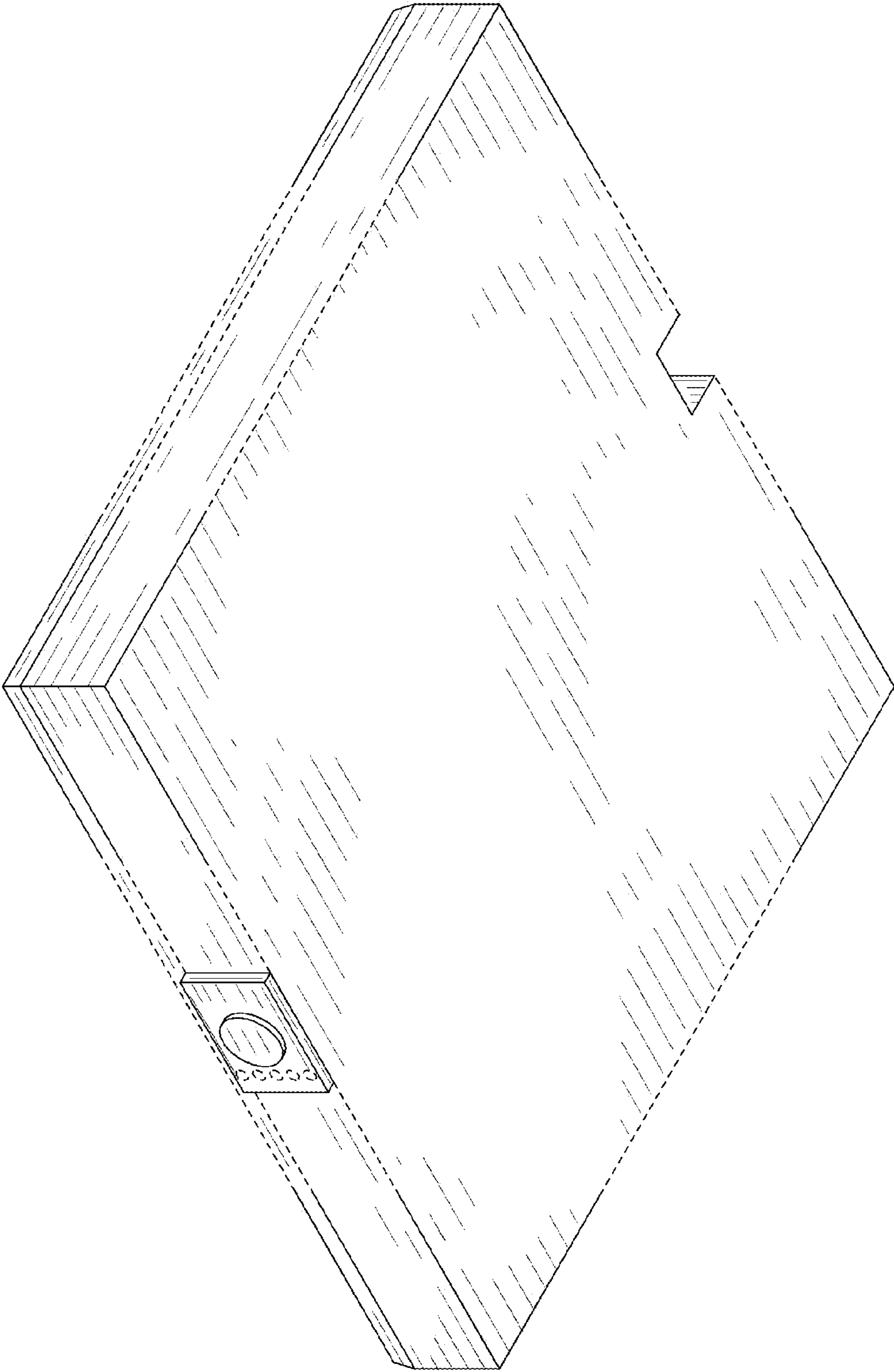


FIG 2

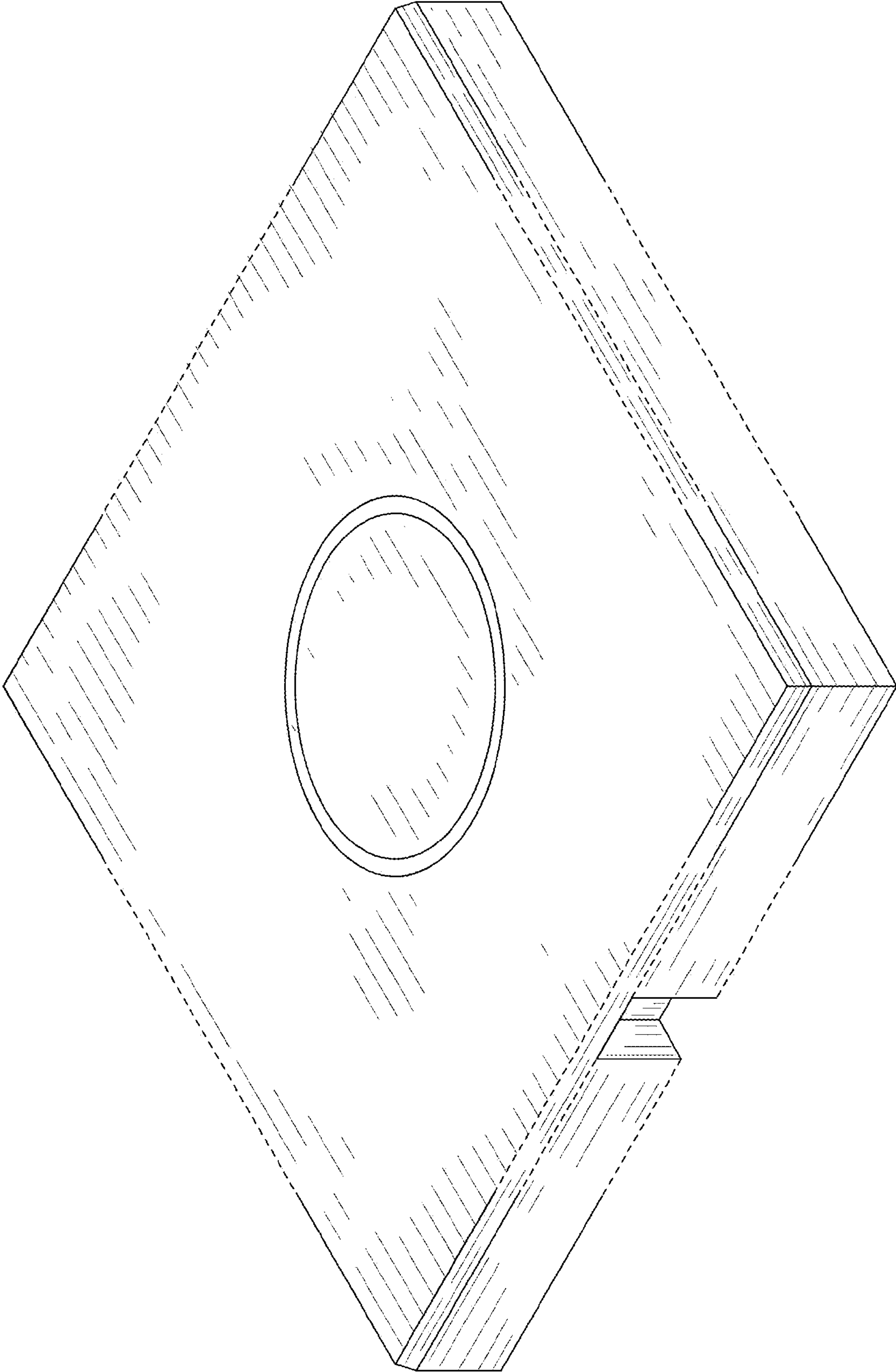


FIG 3

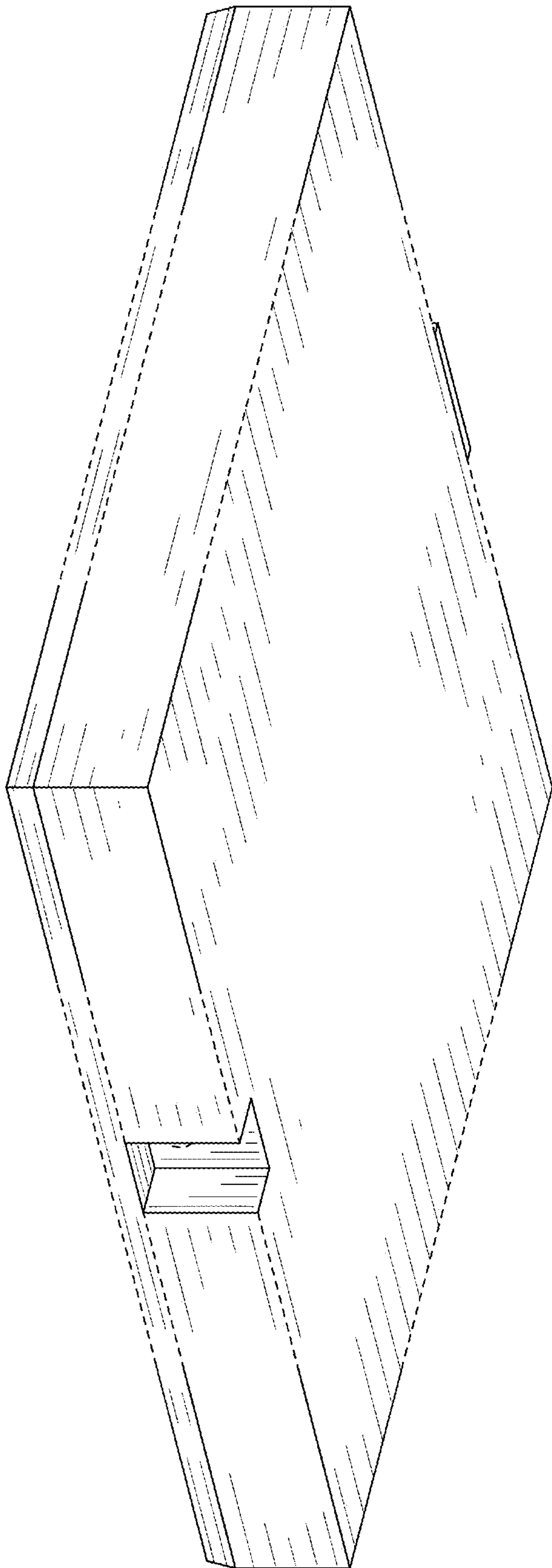


FIG 4

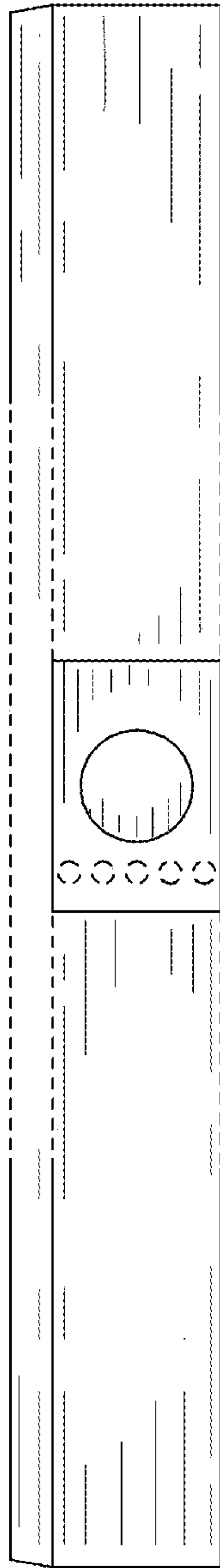


FIG 5

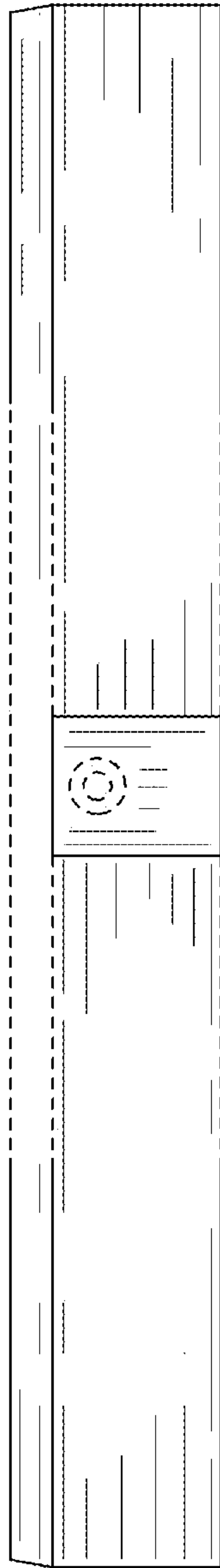


FIG 6

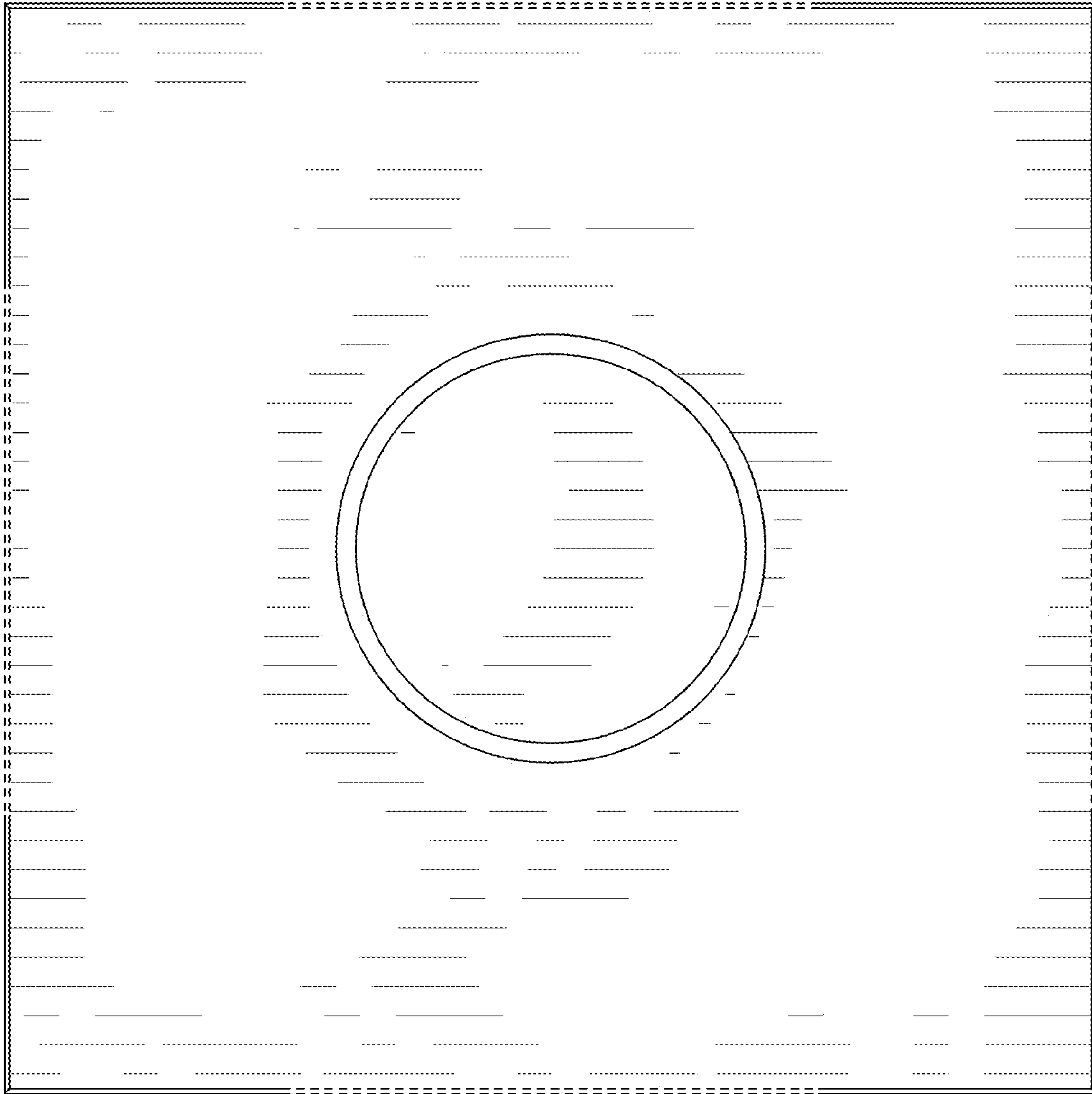


FIG 7

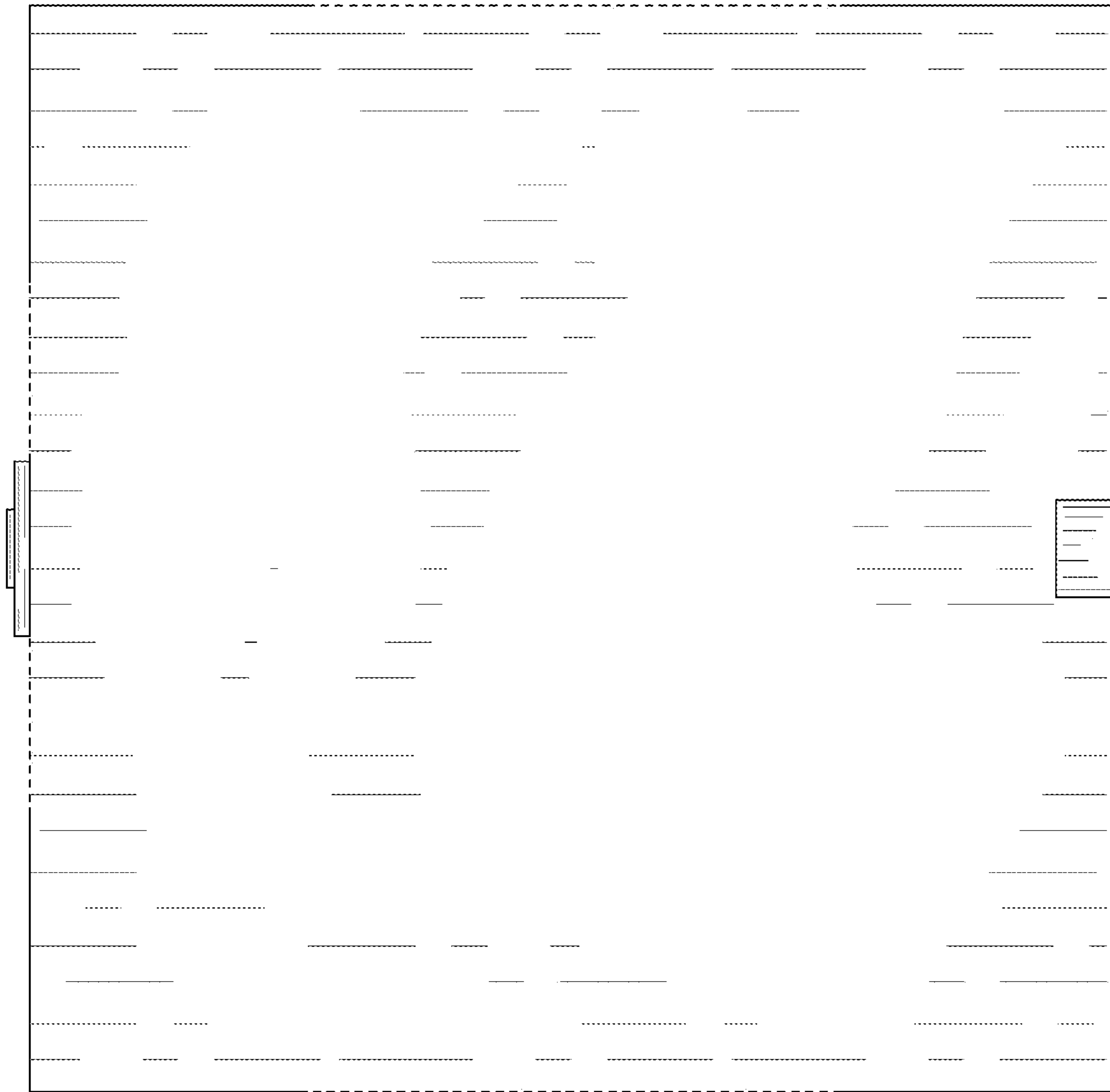


FIG 8

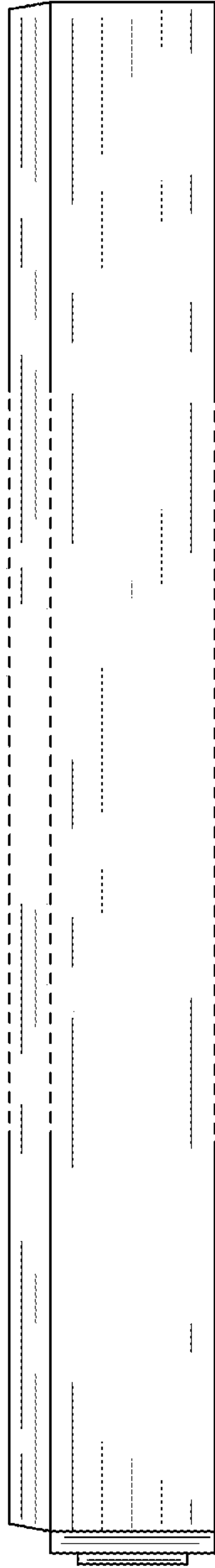


FIG 9

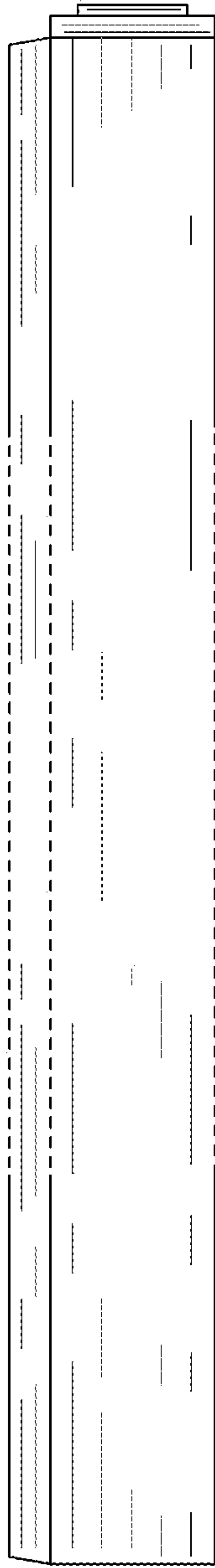


FIG 10