



US00D886733S

(12) **United States Design Patent** (10) **Patent No.:** **US D886,733 S**
Warren (45) **Date of Patent:** **** *Jun. 9, 2020**

(54) **CHARGER**
(71) Applicant: **William J. Warren**, Frisco, TX (US)
(72) Inventor: **William J. Warren**, Frisco, TX (US)
(*) Notice: This patent is subject to a terminal disclaimer.

6,341,218 B1 1/2002 Poplawsky et al.
6,510,067 B1 1/2003 Toebe
6,518,724 B2 2/2003 Janik
6,831,848 B2 12/2004 Lanni
6,848,802 B2 2/2005 Chen
6,861,822 B2 3/2005 Wei
6,938,867 B2 9/2005 Dirks

(Continued)

(**) Term: **15 Years**

FOREIGN PATENT DOCUMENTS

(21) Appl. No.: **29/600,303**

EP 2228263 A1 9/2010
WO WO2016003585 1/2016

(22) Filed: **Apr. 11, 2017**

OTHER PUBLICATIONS

(51) **LOC (12) Cl.** **13-02**

International Search Report and Written Opinion dated Sep. 4, 2015 for Patent Cooperation Treaty Application PCT/US2015/034073, filed Jun. 3, 2015, 8 pages.

(52) **U.S. Cl.**

USPC **D13/108**; D13/103

(58) **Field of Classification Search**

USPC D13/102–110, 118–119, 184, 199;
D14/356, 432

CPC Y02E 60/12; Y02T 90/14; Y02T 90/122;
Y02T 90/128; Y02T 90/163; H02J 7/025;
H02J 7/0042; H02J 7/0044; H02J 7/0045;
H02J 7/0003; H01F 38/14; H01R
13/6675; H01M 2/1022; H01M 2/1055;
H01M 10/44; H01M 10/46; H01M
10/425; B60L 11/182

See application file for complete search history.

Primary Examiner — Rosemary K Tarcza

Assistant Examiner — Nathaniel D. Buckner

(74) *Attorney, Agent, or Firm* — Carr & Ferrell LLP

(57) **CLAIM**

The ornamental design for a charger, as shown and described.

DESCRIPTION

(56) **References Cited**

U.S. PATENT DOCUMENTS

2,392,445 A 1/1946 Anderson
4,536,694 A 8/1985 McCarty et al.
5,187,744 A 2/1993 Richter
D343,107 S 1/1994 Fulton
5,305,381 A 4/1994 Wang et al.
5,587,645 A 12/1996 Sciammarella et al.
5,648,712 A 7/1997 Hahn
5,679,017 A 10/1997 Smith
5,762,512 A 6/1998 Trant et al.
5,903,645 A 5/1999 Tsay
6,029,215 A 2/2000 Watts, Jr. et al.
6,091,611 A 7/2000 Lanni

FIG. 1 is a front perspective view of a charger showing my new design;

FIG. 2 is a front elevational view thereof;

FIG. 3 is a rear elevational view thereof;

FIG. 4 is a right side elevational view thereof;

FIG. 5 is a left side elevational view thereof;

FIG. 6 is a top elevational view thereof;

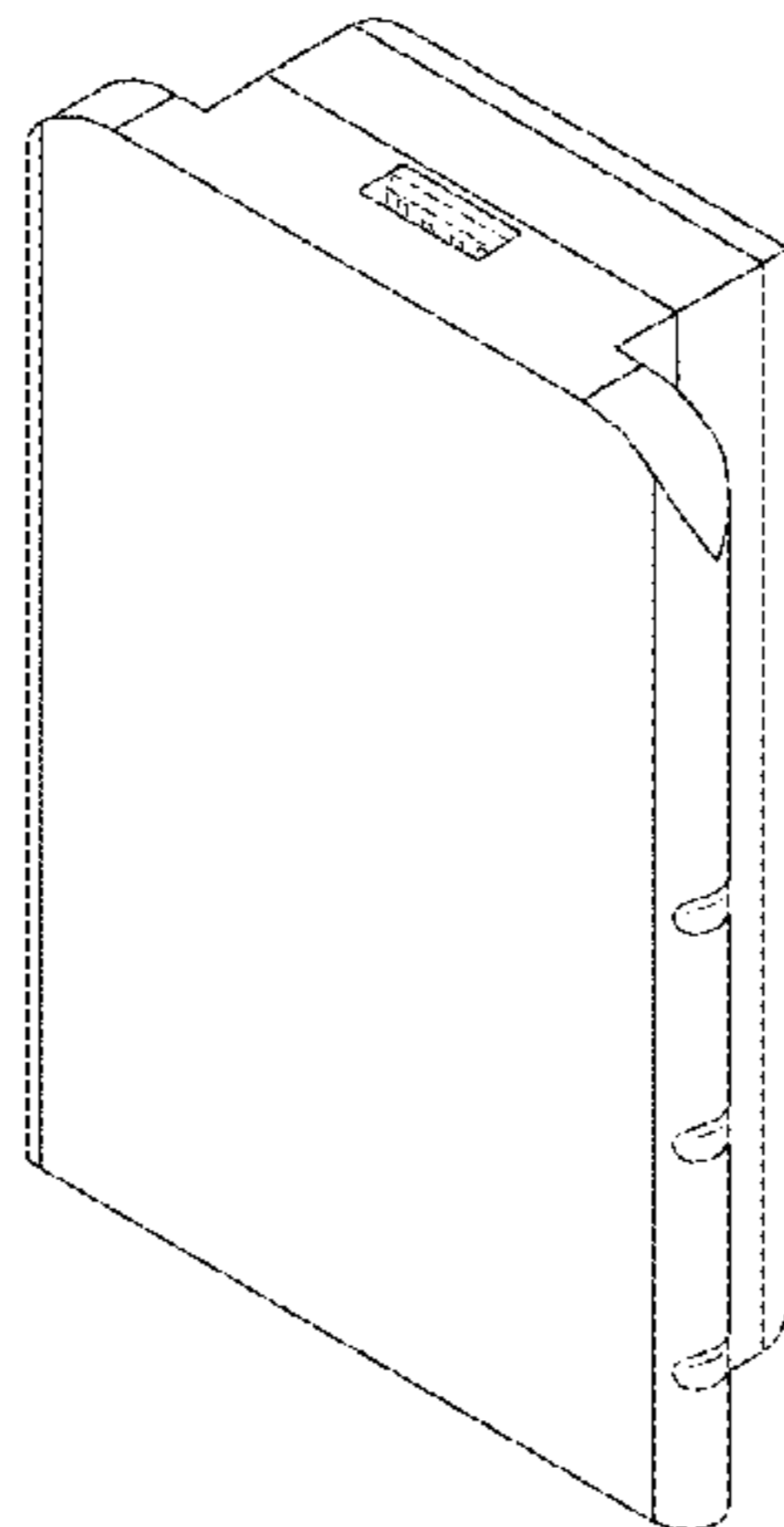
FIG. 7 is a bottom elevation view thereof;

FIG. 8 is a rear elevational view thereof;

FIG. 9 is a second rear perspective elevational view thereof; and,

FIG. 10 is a third rear perspective elevational view thereof.

1 Claim, 8 Drawing Sheets



(56)

References Cited

U.S. PATENT DOCUMENTS

7,066,767 B2 6/2006 Liao
 7,075,779 B2 7/2006 Bothe et al.
 7,166,987 B2 1/2007 Lee et al.
 7,254,424 B1 8/2007 Reichert
 D573,866 S * 7/2008 Smith H02J 7/0045
 D8/107
 7,524,197 B2 4/2009 Mills et al.
 7,528,323 B2 5/2009 Wu et al.
 7,540,748 B2 6/2009 Tracy et al.
 7,551,458 B2 6/2009 Carnevali
 7,623,182 B2 11/2009 Byrne et al.
 7,654,855 B2 2/2010 Liao
 7,682,185 B2 3/2010 Liao
 7,699,664 B2 4/2010 Kim et al.
 D617,863 S * 6/2010 Moody D22/108
 7,850,484 B2 12/2010 Hayashi et al.
 7,857,659 B2 12/2010 Wang et al.
 7,887,341 B2 2/2011 Liao
 8,113,873 B1 2/2012 Sarraf
 8,224,408 B2 7/2012 Tomasini et al.
 D676,380 S * 2/2013 Sun D13/108
 8,367,235 B2 2/2013 Huang
 D680,941 S * 4/2013 Deppen D12/215
 8,414,318 B1 4/2013 Chen
 8,415,920 B2 4/2013 Liao
 D687,375 S 8/2013 Franco
 8,616,327 B1 12/2013 Palacios
 8,686,683 B2 4/2014 Caskey et al.
 8,712,482 B2 4/2014 Sorias et al.
 8,794,997 B2 8/2014 Tin
 8,805,640 B2 8/2014 Nielsen et al.
 8,864,517 B2 10/2014 Cohen
 D719,008 S 12/2014 Han
 D723,457 S * 3/2015 Sorias D13/107
 9,027,486 B1 5/2015 Berkovitz
 9,130,332 B2 9/2015 Yosef
 9,161,464 B2 10/2015 Liao
 D745,628 S * 12/2015 Barfoot D22/108
 9,310,841 B2 4/2016 Williams
 9,356,454 B2 5/2016 Caren et al.
 D760,647 S 7/2016 Chen
 D762,169 S * 7/2016 Lei D13/108
 D763,188 S * 8/2016 Park D13/108
 D764,404 S * 8/2016 Lau D13/103
 9,429,994 B1 8/2016 Vier
 9,473,607 B2 10/2016 An
 D774,377 S 12/2016 Hilliaho
 D776,050 S * 1/2017 Awad D13/102
 D778,706 S * 2/2017 Atkins D8/303
 9,568,148 B2 2/2017 Carnevali
 D783,526 S * 4/2017 Warren D13/108
 9,620,911 B2 4/2017 Warren
 9,627,802 B2 4/2017 Warren
 D791,070 S 7/2017 Son
 D791,076 S 7/2017 Kim
 D791,697 S * 7/2017 Precheur D13/107
 D792,752 S 7/2017 Chung et al.
 D795,190 S 8/2017 Tzeng
 9,742,107 B2 8/2017 Choi et al.

D803,775 S * 11/2017 Park D13/103
 9,812,811 B1 11/2017 Gorin et al.
 9,904,327 B2 2/2018 Whitt, III et al.
 D812,000 S * 3/2018 Li D13/108
 D813,162 S * 3/2018 Krantz D13/110
 D813,339 S * 3/2018 Maroney D22/108
 D813,658 S * 3/2018 Wright D8/395
 D814,264 S * 4/2018 Werdowatz D8/303
 D815,036 S * 4/2018 Martorell D13/108
 D820,206 S * 6/2018 Cai D13/108
 D820,353 S * 6/2018 Choi D18/50
 9,997,882 B1 * 6/2018 Warren H01R 31/065
 D822,598 S * 7/2018 Warren D13/108
 2002/0149695 A1 10/2002 Kayanuma
 2003/0218445 A1 11/2003 Behar
 2004/0105024 A1 6/2004 Takahashi
 2004/0251873 A1 12/2004 Simoes et al.
 2005/0178633 A1 8/2005 Liao
 2006/0105819 A1 5/2006 Liao
 2006/0194467 A1 8/2006 Beasley et al.
 2007/0034753 A1 2/2007 Lee
 2007/0258204 A1 11/2007 Chang et al.
 2008/0157715 A1 7/2008 Rosenboom et al.
 2008/0227380 A1 9/2008 Hsu et al.
 2009/0047827 A1 2/2009 Liao
 2011/0031287 A1 2/2011 Le Gette et al.
 2012/0049800 A1 3/2012 Johnson et al.
 2012/0077361 A1 3/2012 Youssefi-Shams et al.
 2012/0178506 A1 7/2012 Sorias et al.
 2012/0214348 A1 8/2012 Youssefi-Shams et al.
 2013/0057215 A1 3/2013 Rajeswaran et al.
 2013/0093220 A1 4/2013 Pajic
 2013/0150134 A1 6/2013 Pliner et al.
 2013/0178252 A1 7/2013 Sorias et al.
 2013/0242495 A1 9/2013 Bathiche et al.
 2014/0030912 A1 1/2014 Cohen
 2014/0085814 A1 3/2014 Kielland
 2014/0139989 A1 5/2014 Mori et al.
 2015/0011265 A1 1/2015 Walsh, Jr.
 2015/0015204 A1 1/2015 Sorias et al.
 2015/0207286 A1 7/2015 Chen et al.
 2015/0207350 A1 7/2015 Chen et al.
 2015/0234108 A1 8/2015 Harley, Jr.
 2015/0234478 A1 8/2015 Belesiu et al.
 2015/0263447 A1 9/2015 Liao
 2015/0268699 A1 9/2015 Bathiche et al.
 2015/0380872 A1 12/2015 Warren
 2016/0087381 A1 3/2016 Wong et al.
 2016/0090767 A1 3/2016 Park et al.
 2016/0118758 A1 4/2016 Cymerman
 2016/0141815 A1 5/2016 Warren
 2016/0204816 A1 7/2016 Abramovich
 2016/0209885 A1 7/2016 Ellis
 2016/0218536 A1 7/2016 Caren et al.
 2016/0261129 A1 9/2016 Warren
 2016/0380457 A1 * 12/2016 Criss H02J 7/0045
 320/107
 2017/0005496 A1 1/2017 Warren
 2017/0012450 A1 1/2017 Warren
 2017/0101256 A1 4/2017 Zeitlin
 2017/0163080 A1 6/2017 Warren

* cited by examiner

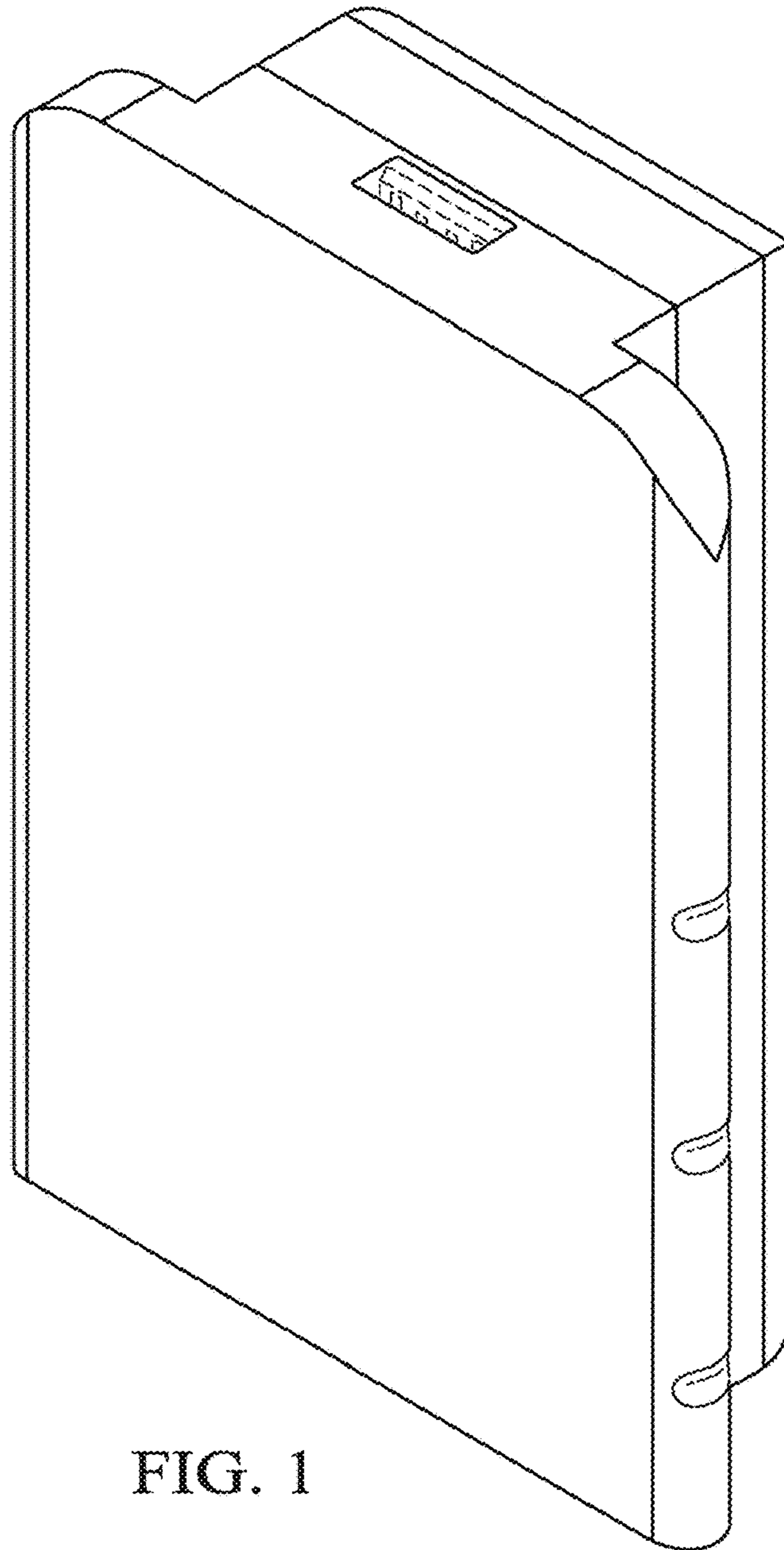


FIG. 1

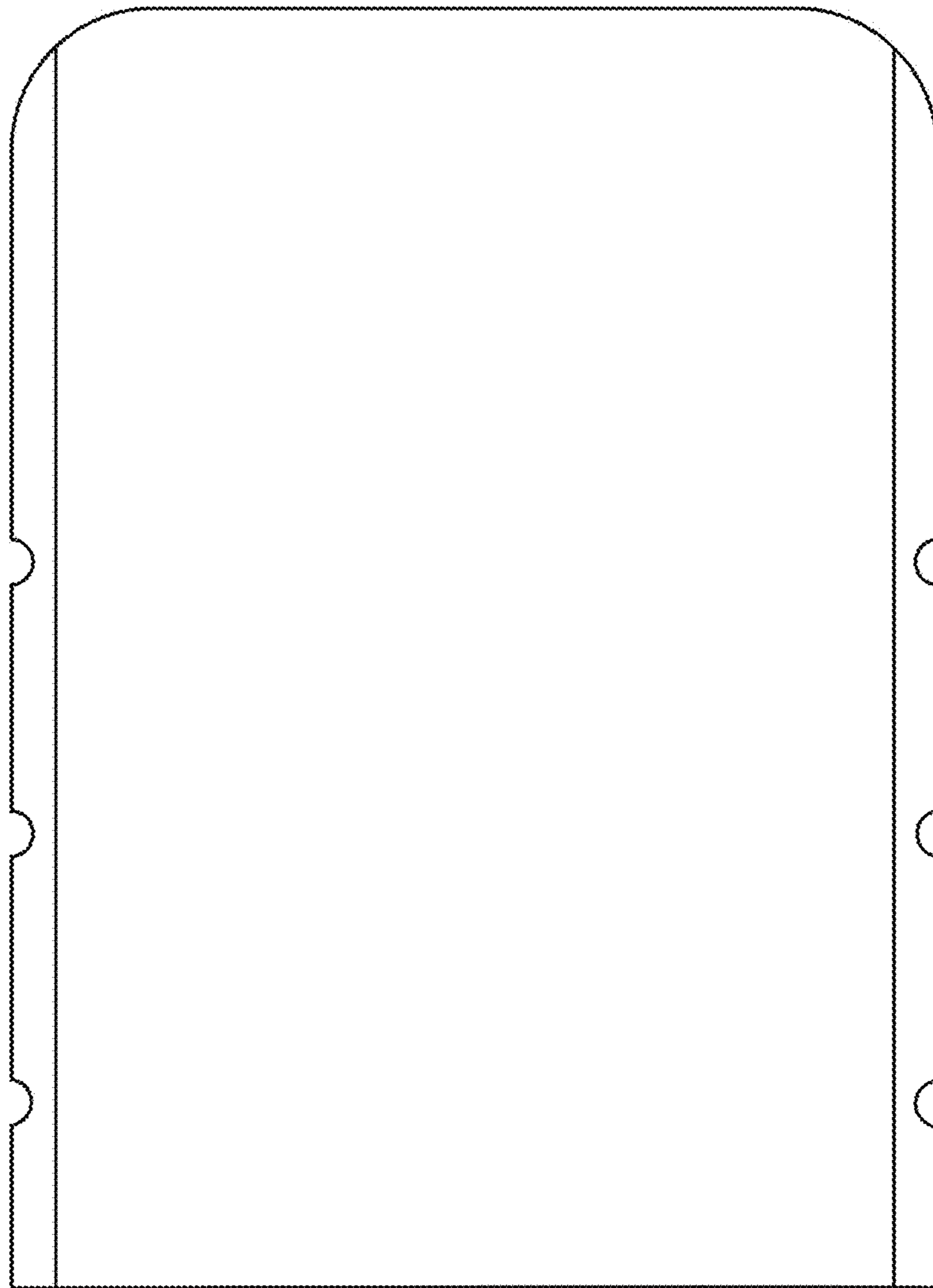


FIG. 2

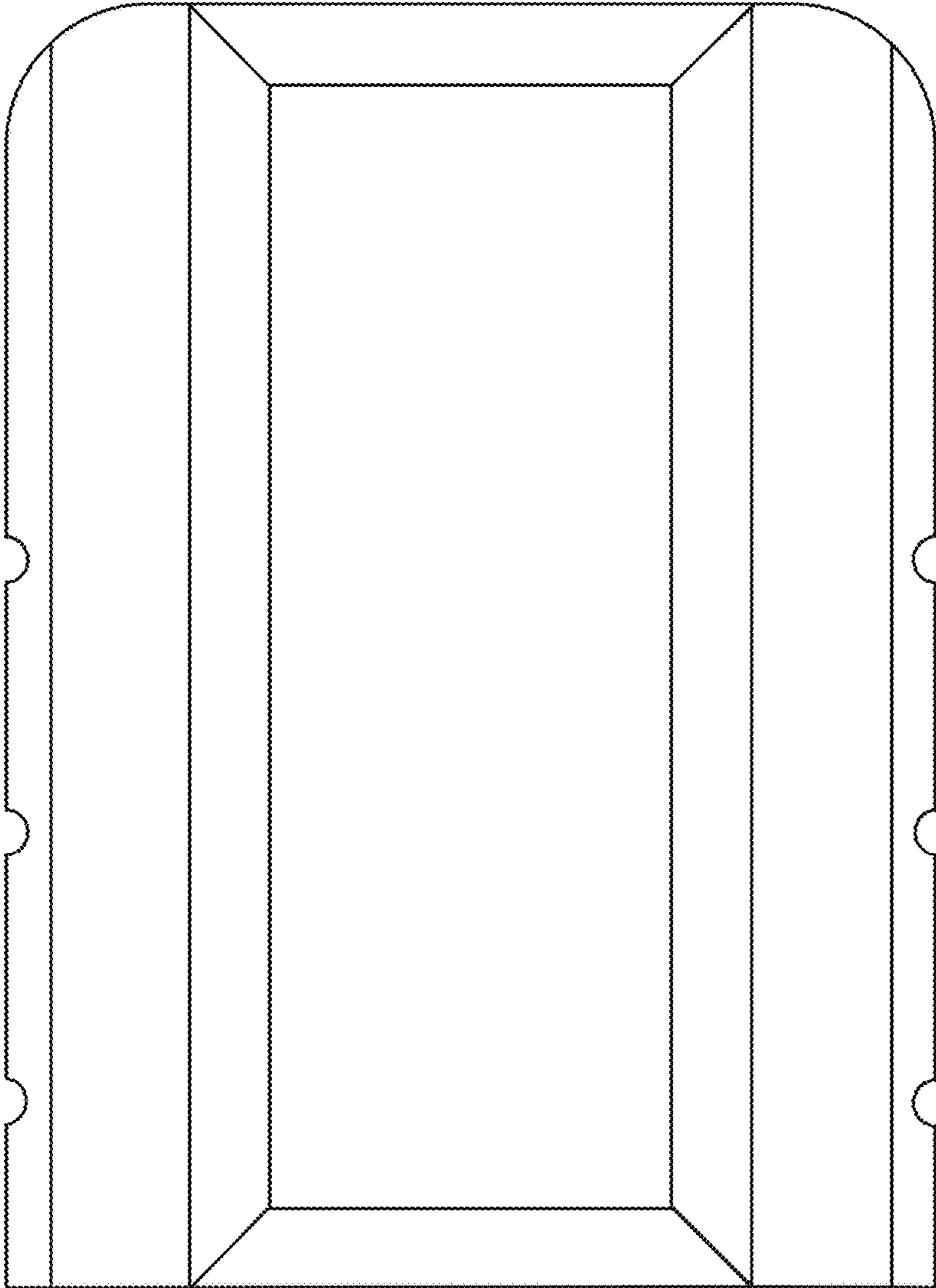


FIG. 3

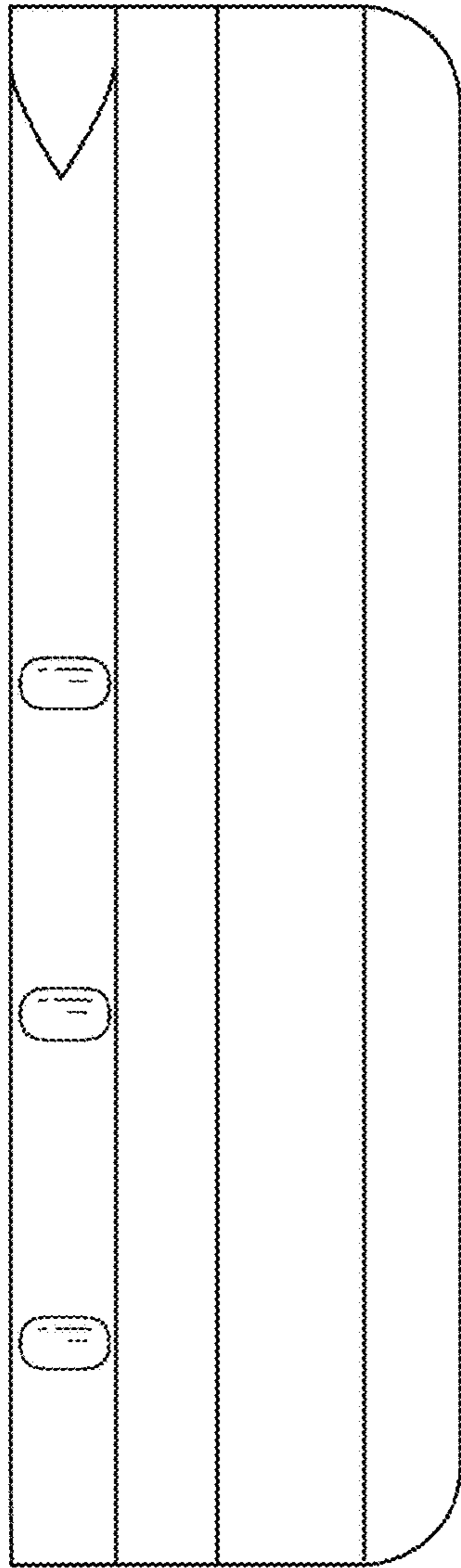


FIG. 4

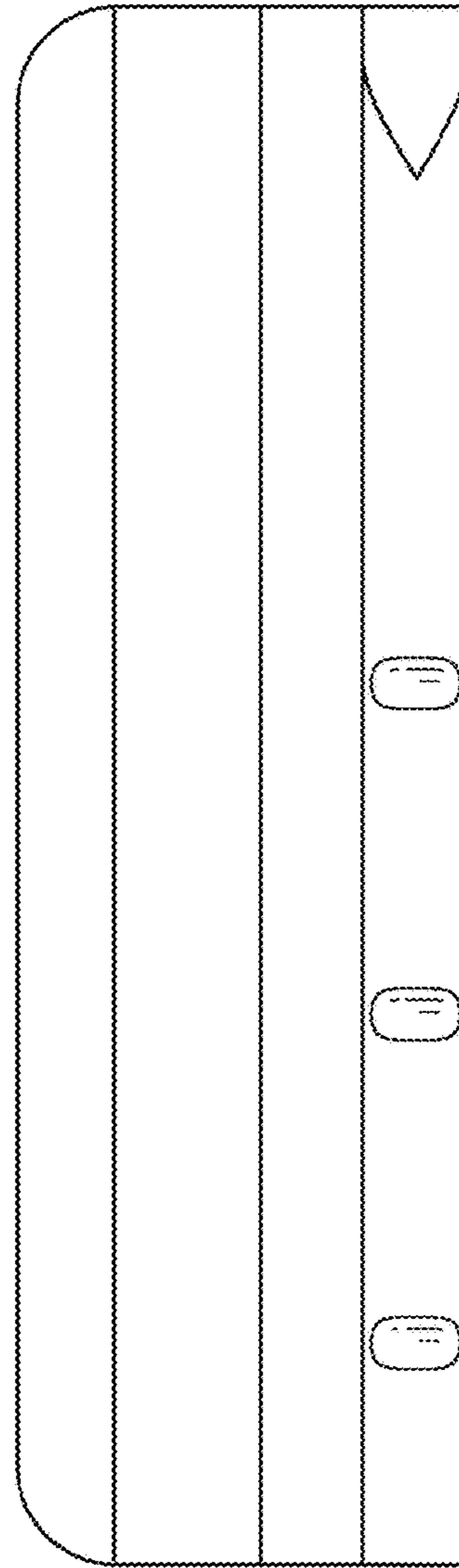


FIG. 5

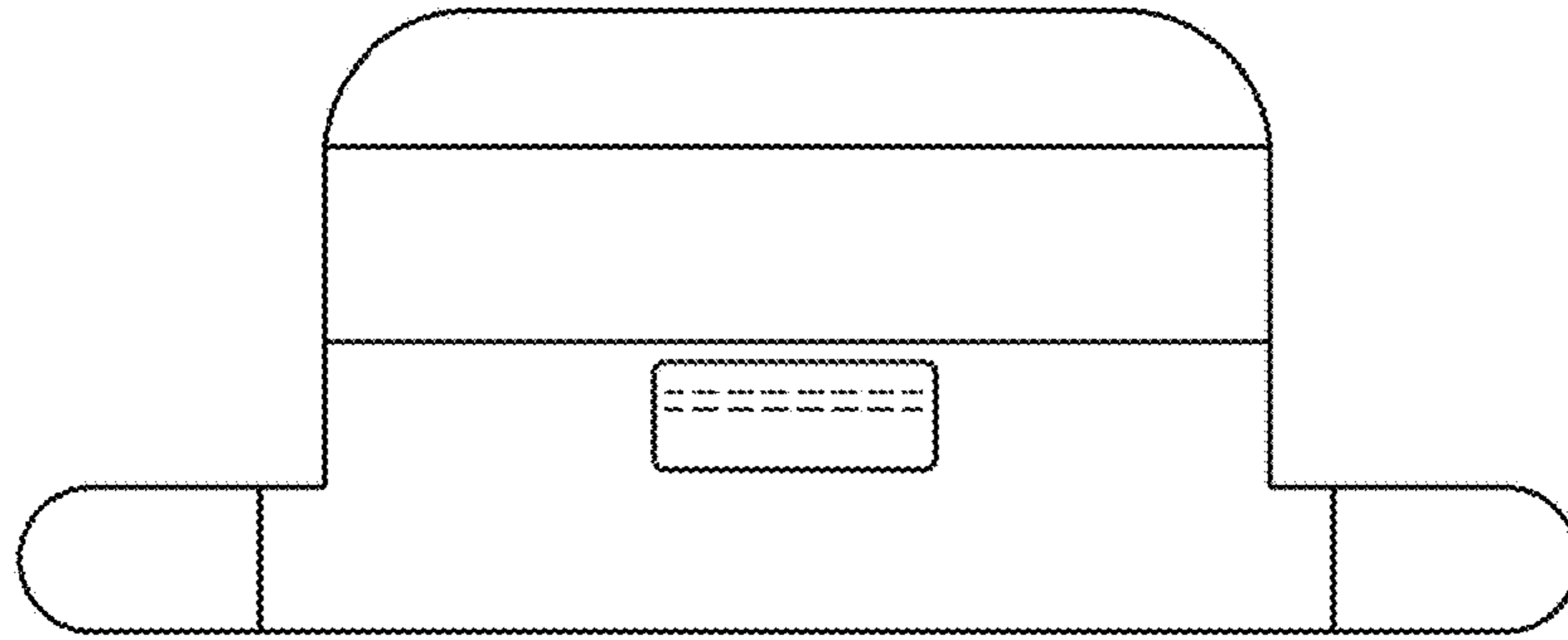


FIG. 6

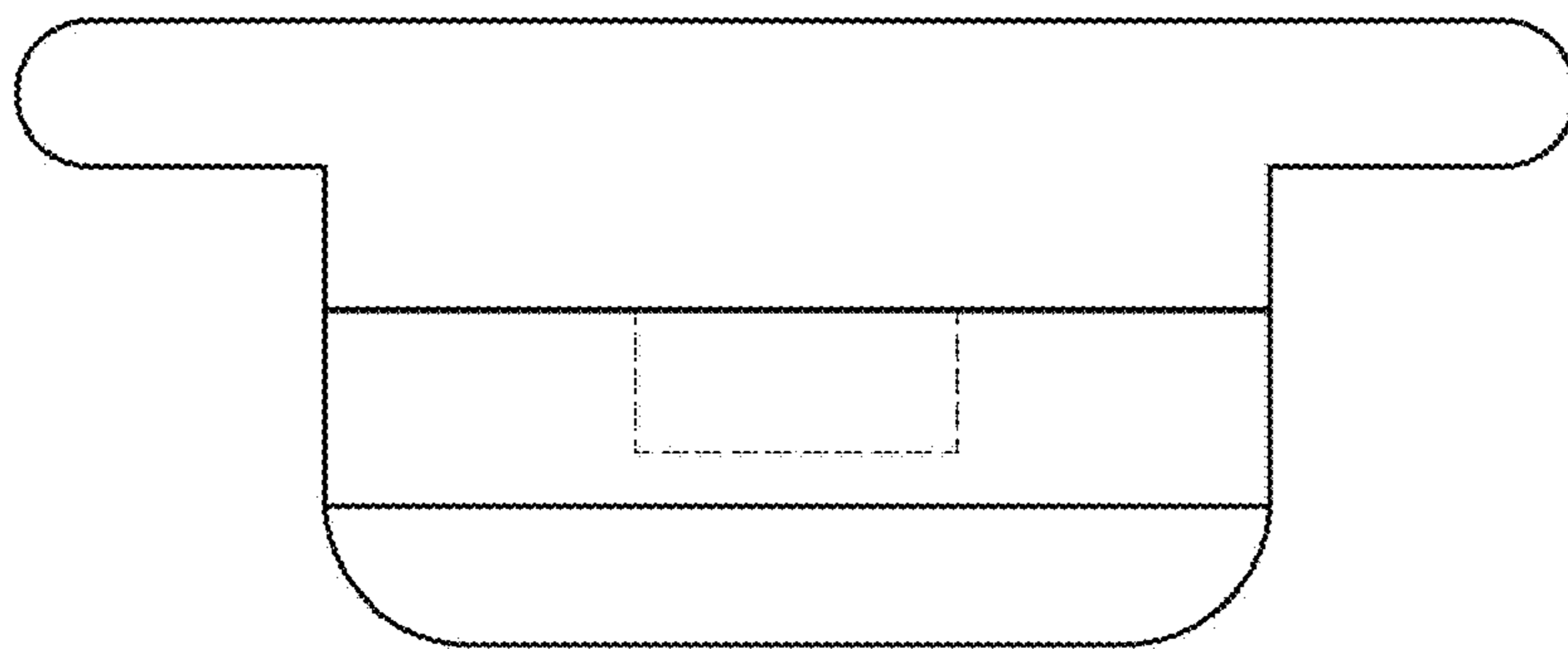


FIG. 7

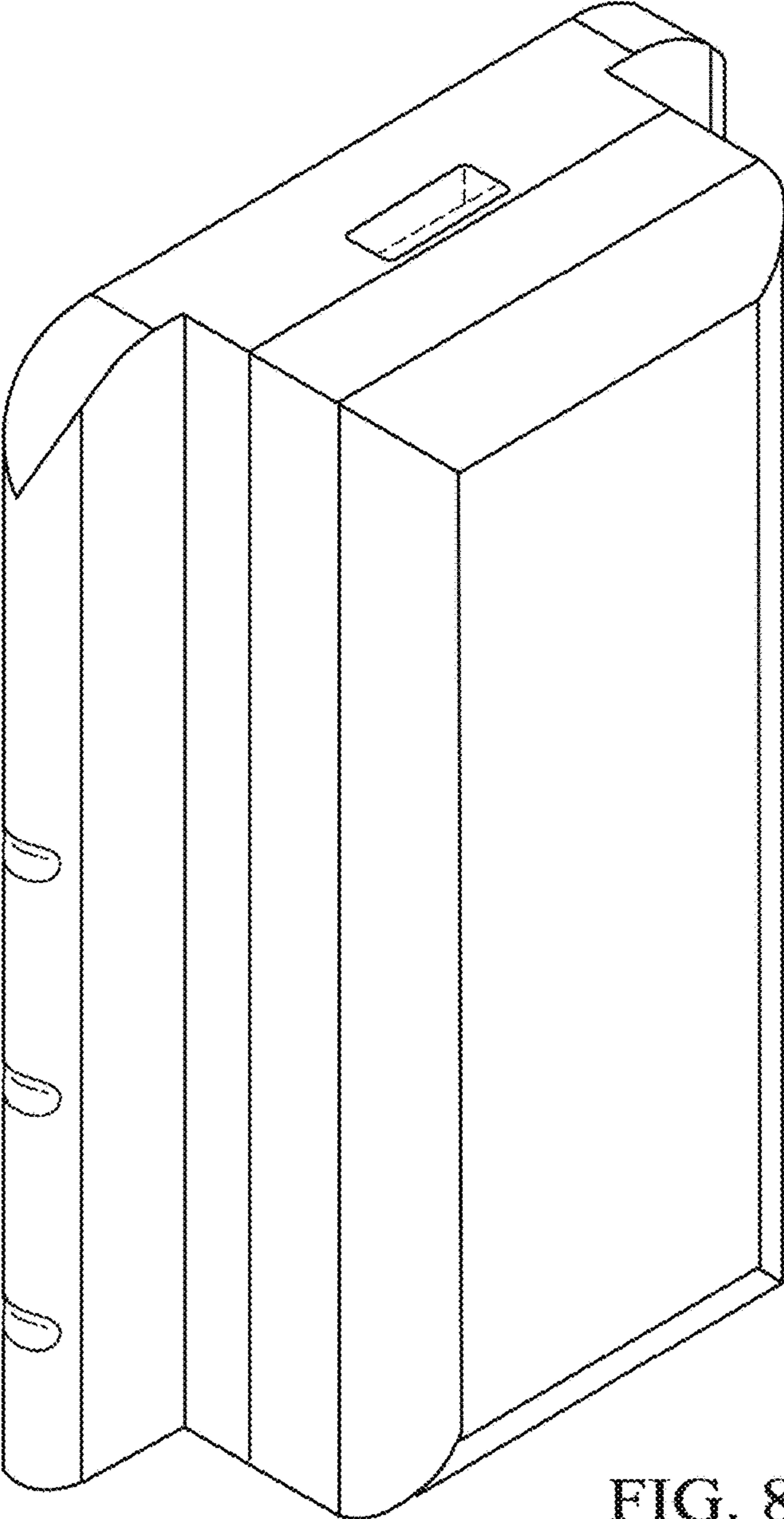


FIG. 8

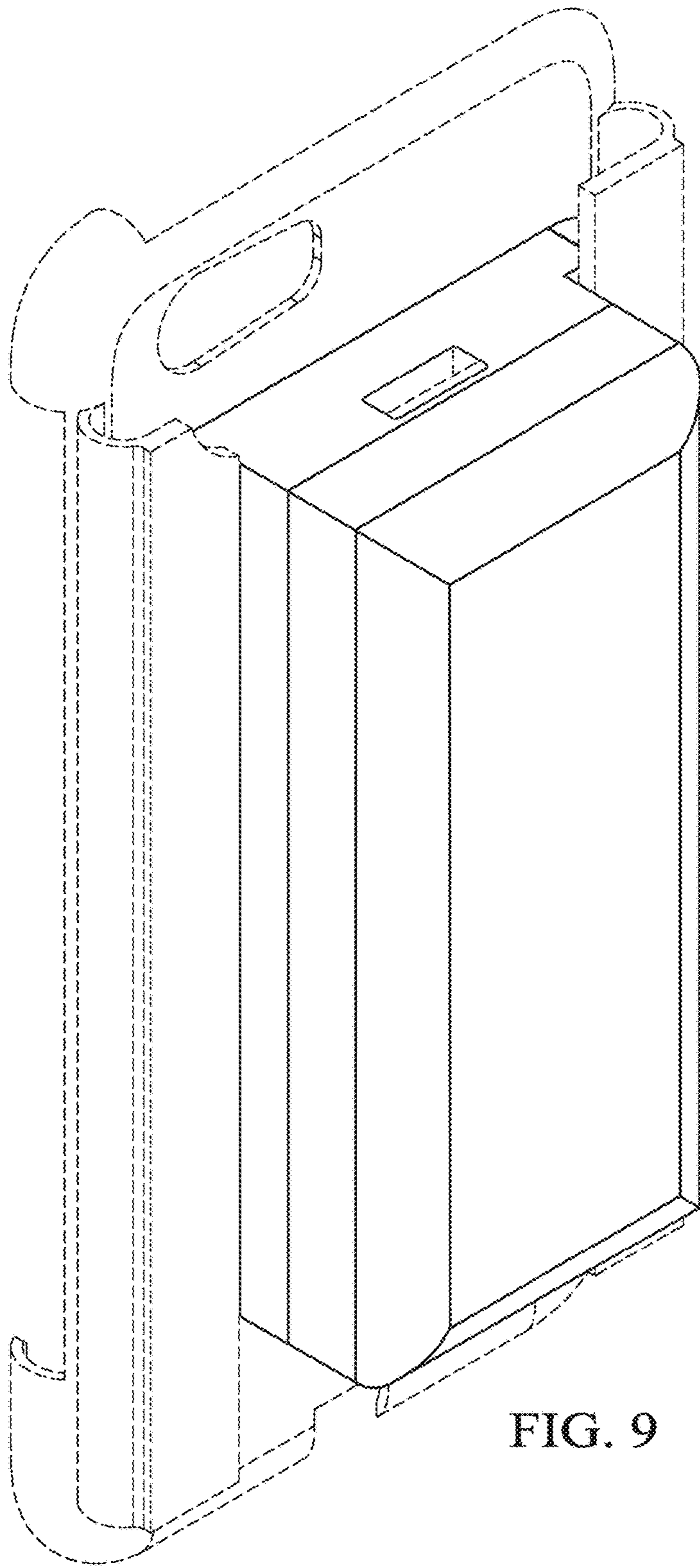


FIG. 9

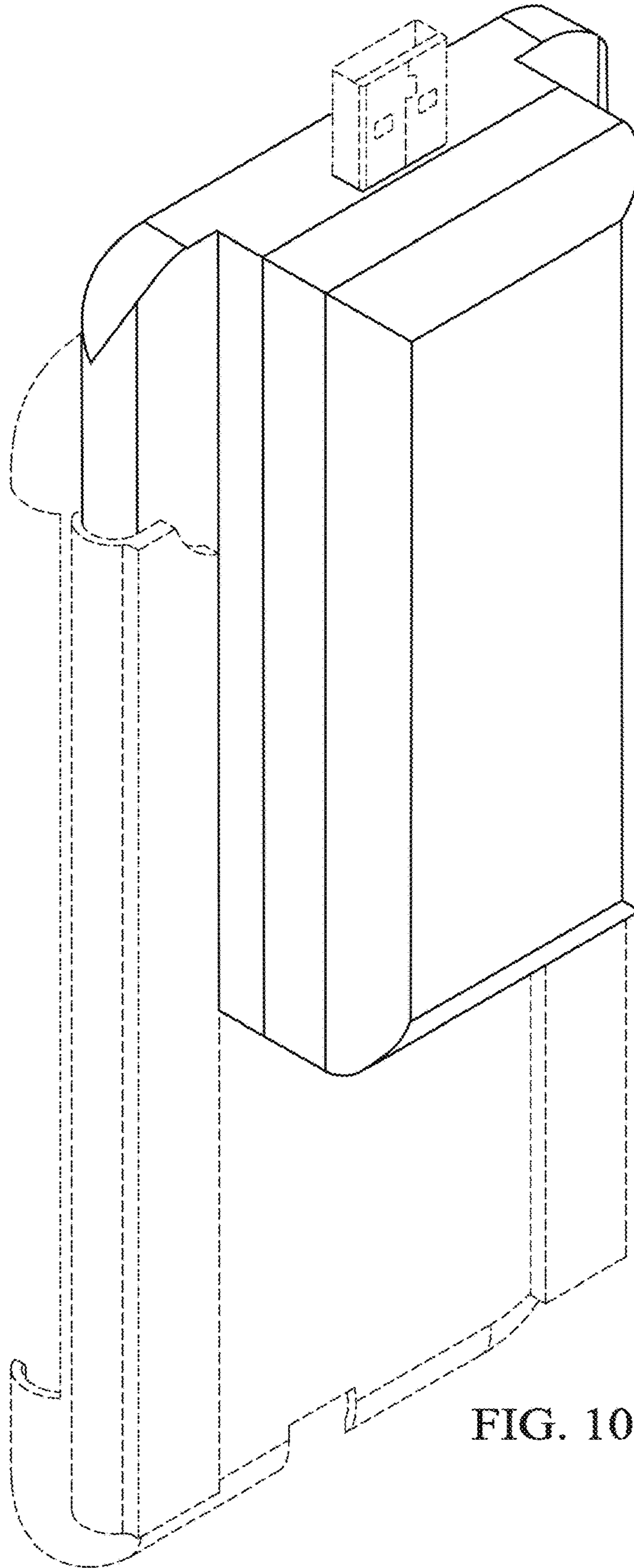


FIG. 10