



US00D886732S

(12) **United States Design Patent** (10) **Patent No.:** **US D886,732 S**  
**Inskeep et al.** (45) **Date of Patent:** **\*\* Jun. 9, 2020**

(54) **JUMP STARTER** D482,324 S \* 11/2003 James ..... D13/107  
D483,326 S \* 12/2003 Krieger ..... D13/107  
(71) Applicant: **VECTOR PRODUCTS, INC.**, Boca D512,685 S \* 12/2005 Krieger ..... D13/107  
Raton, FL (US) D527,341 S \* 8/2006 Krieger ..... D13/107  
D530,665 S \* 10/2006 Krieger ..... D13/107  
(72) Inventors: **Mathew Inskeep**, Highland Beach, FL D706,710 S \* 6/2014 Inskeep ..... D13/107  
(US); **Ling To Shum**, Boca Raton, FL D761,200 S \* 7/2016 Inskeep ..... D13/107  
(US) D762,167 S \* 7/2016 Inskeep ..... D13/107  
D811,324 S \* 2/2018 Inskeep ..... D13/107  
D833,386 S \* 11/2018 Tschopp ..... D13/107  
(73) Assignee: **VECTOR PRODUCTS, INC.**, Boca 2015/0091392 A1 \* 4/2015 Hwang ..... H02J 7/0045  
Raton, FL (US) 307/150

(\*\*) Term: **15 Years**

\* cited by examiner

(21) Appl. No.: **29/634,668**

*Primary Examiner* — Nathaniel D. Buckner

(22) Filed: **Jan. 24, 2018**

(74) *Attorney, Agent, or Firm* — Daniel S. Polley, P.A.

(51) **LOC (12) Cl.** ..... **13-02**

(52) **U.S. Cl.** ..... **D13/107**  
USPC ..... **D13/107**

(57) **CLAIM**

(58) **Field of Classification Search**

We claim the ornamental design for a jump starter, as shown and described.

USPC ..... D13/107–110, 118–119, 184; D14/251,  
D14/253, 432, 434; D15/9  
CPC ..... Y02E 60/12; Y02T 90/14; Y02T 90/122;  
Y02T 90/128; Y02T 90/163; Y02T  
90/7005; Y02T 90/705; Y02T 90/7088;  
H02J 7/025; H02J 7/0042; H02J 7/0044;  
H02J 7/0045; H02J 7/0003; H02J 7/0034;  
H02J 7/0054; H02J 7/1423; H02J  
2001/006; H01F 38/14; H01R 13/6675;  
H01M 2/1022; H01M 2/1055; H01M  
10/44; H01M 10/46; H01M 10/425; B60L  
11/182

**DESCRIPTION**

See application file for complete search history.

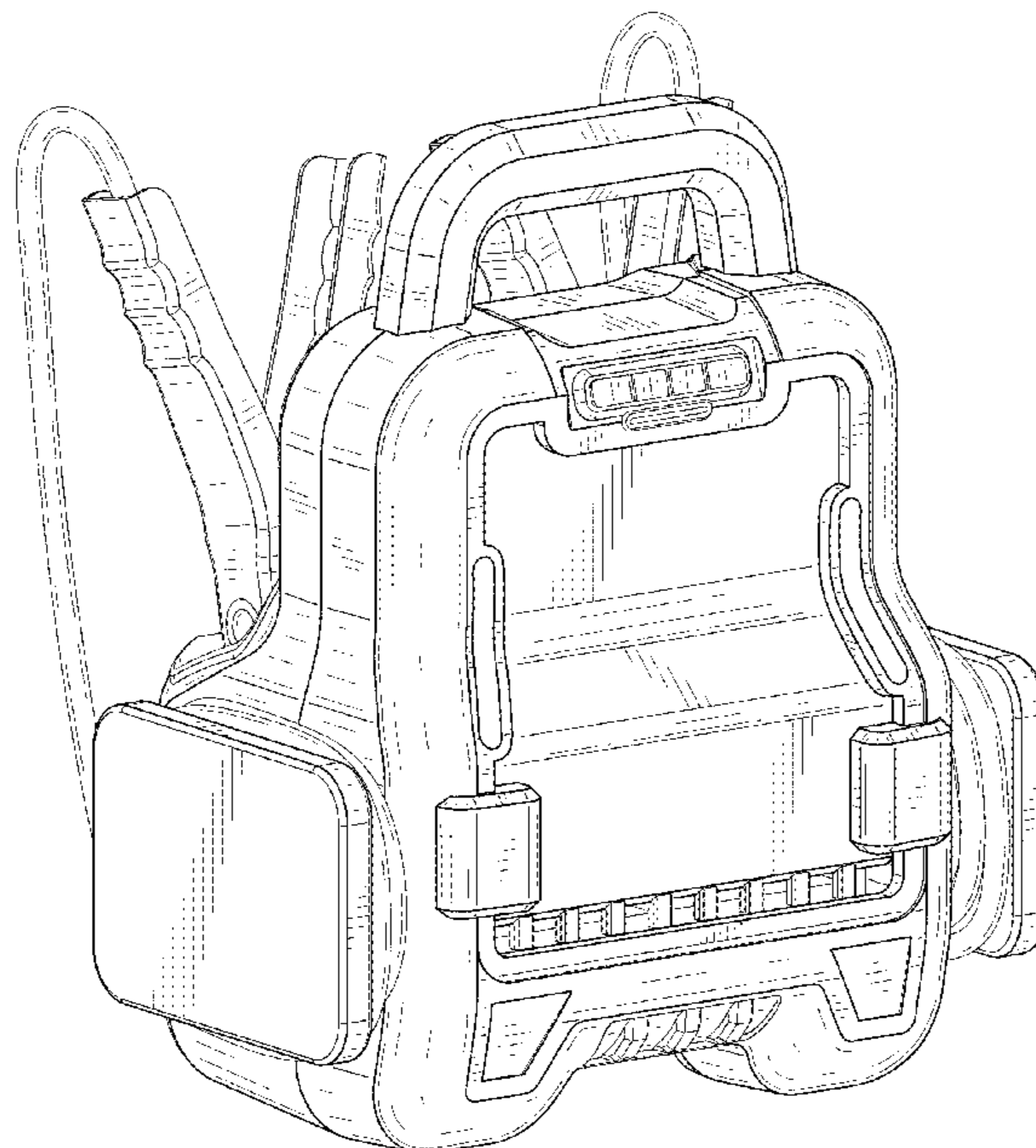
FIG. 1 is a top perspective view of a jump starter showing our new design;  
FIG. 2 is a bottom perspective view thereof;  
FIG. 3 is a top view thereof;  
FIG. 4 is a bottom view thereof;  
FIG. 5 is a left side view thereof;  
FIG. 6 is a front view thereof;  
FIG. 7 is a back view thereof;  
FIG. 8 is a front view of thereof, shown in an alternate condition of use; and,  
FIG. 9 is a top perspective view thereof.

(56) **References Cited**

**U.S. PATENT DOCUMENTS**

**1 Claim, 9 Drawing Sheets**

D423,451 S \* 4/2000 Heckenast ..... D13/110  
D480,357 S \* 10/2003 Miao ..... D13/107



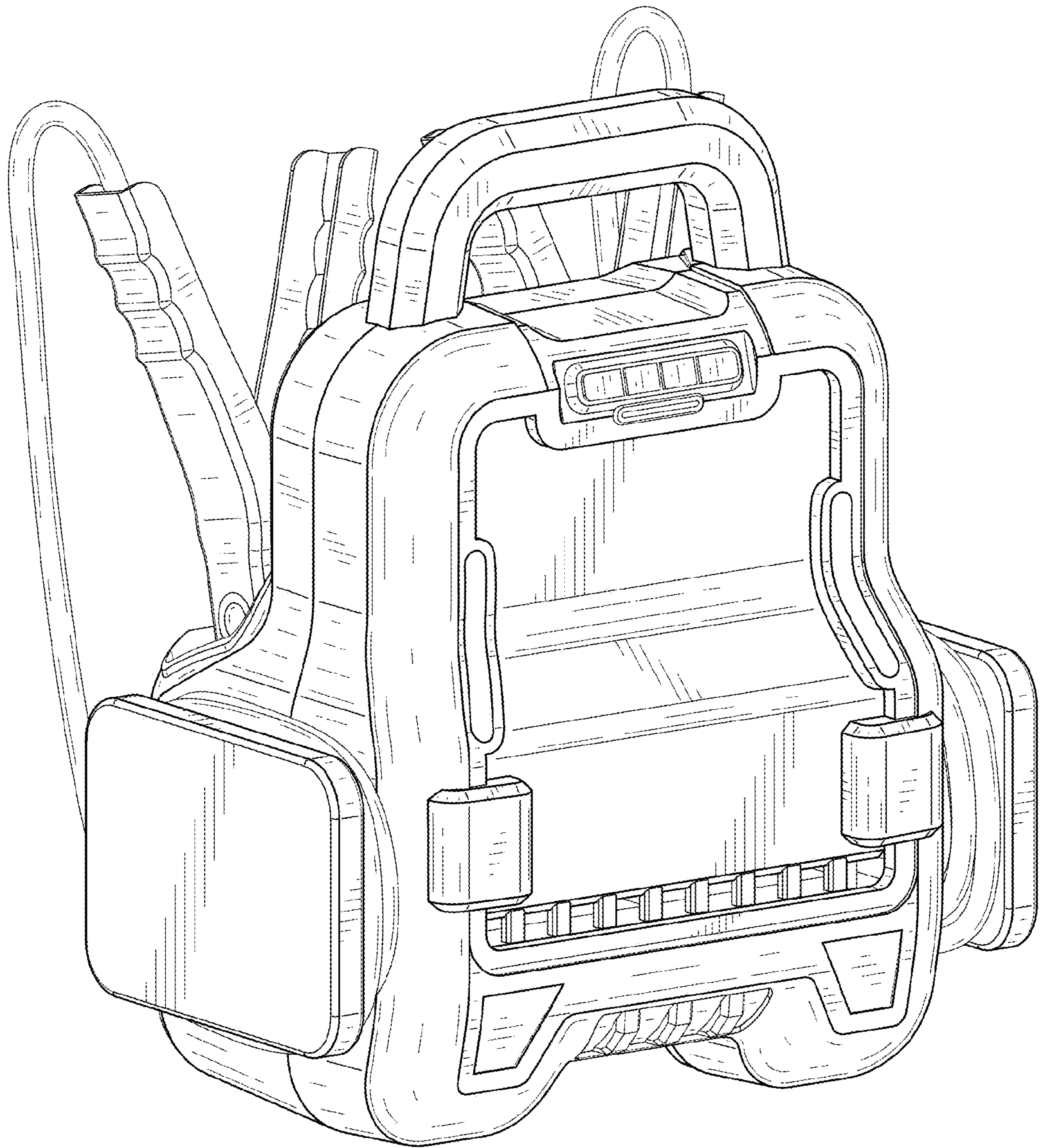


FIG. 1



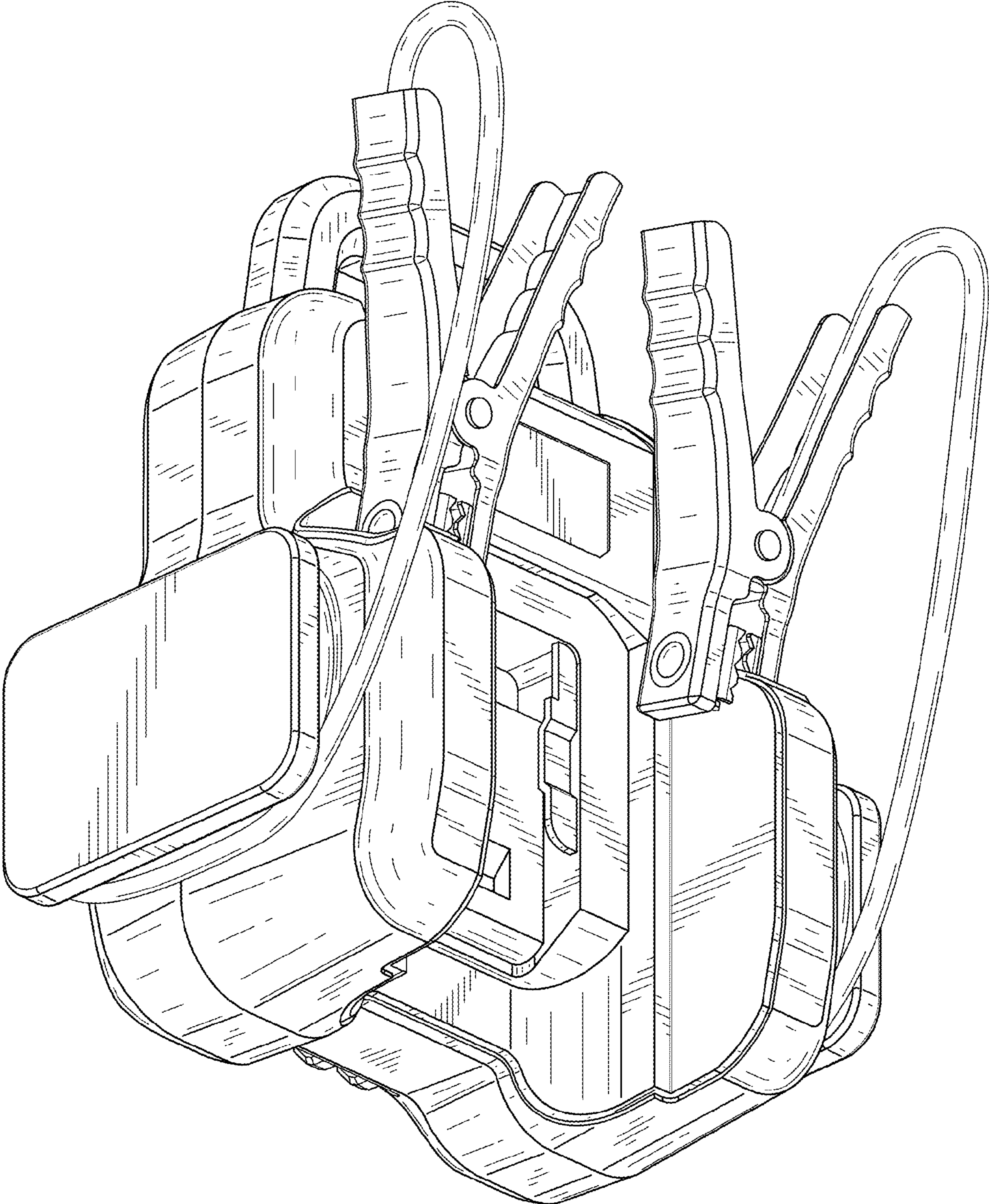


FIG. 2

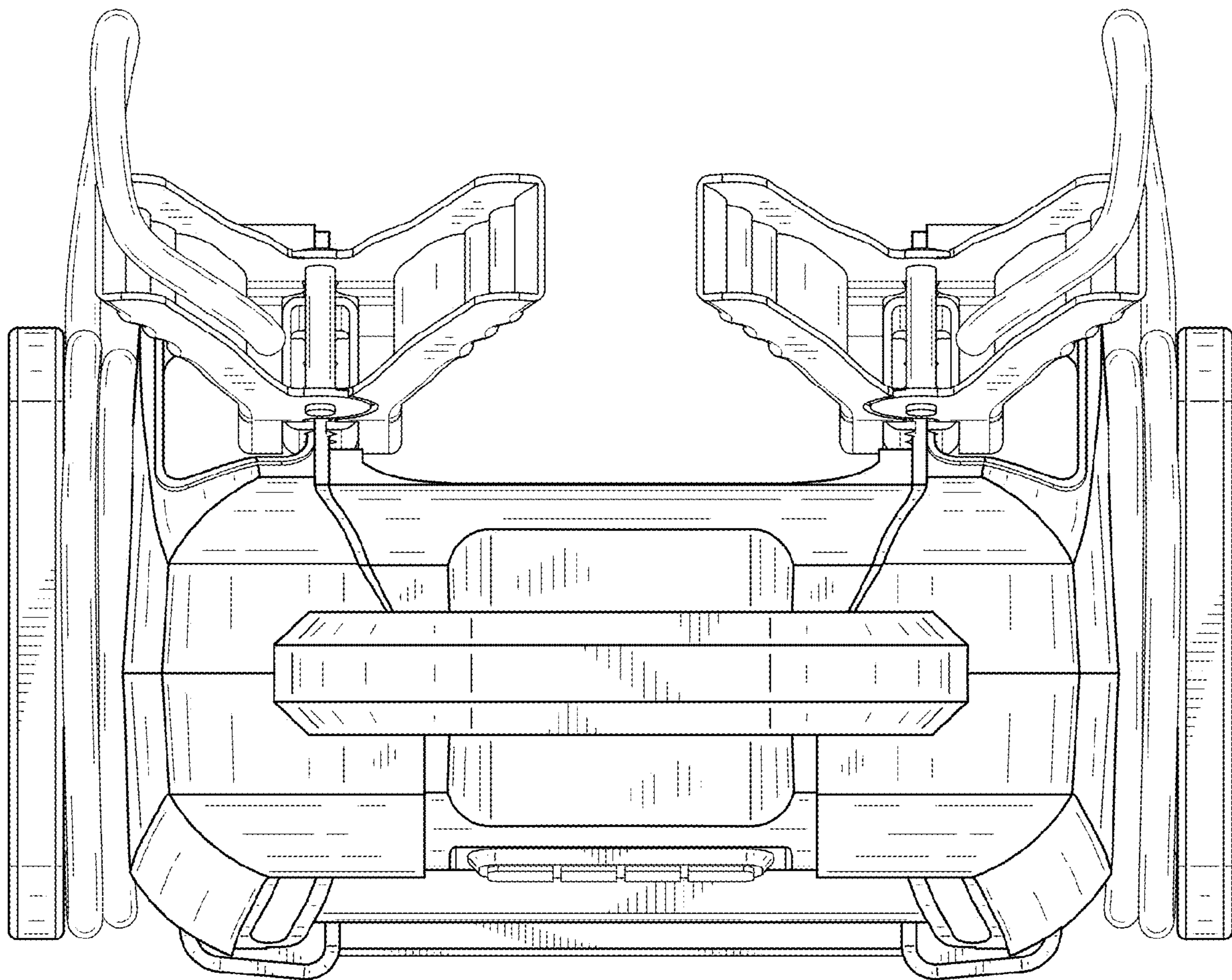


FIG. 3

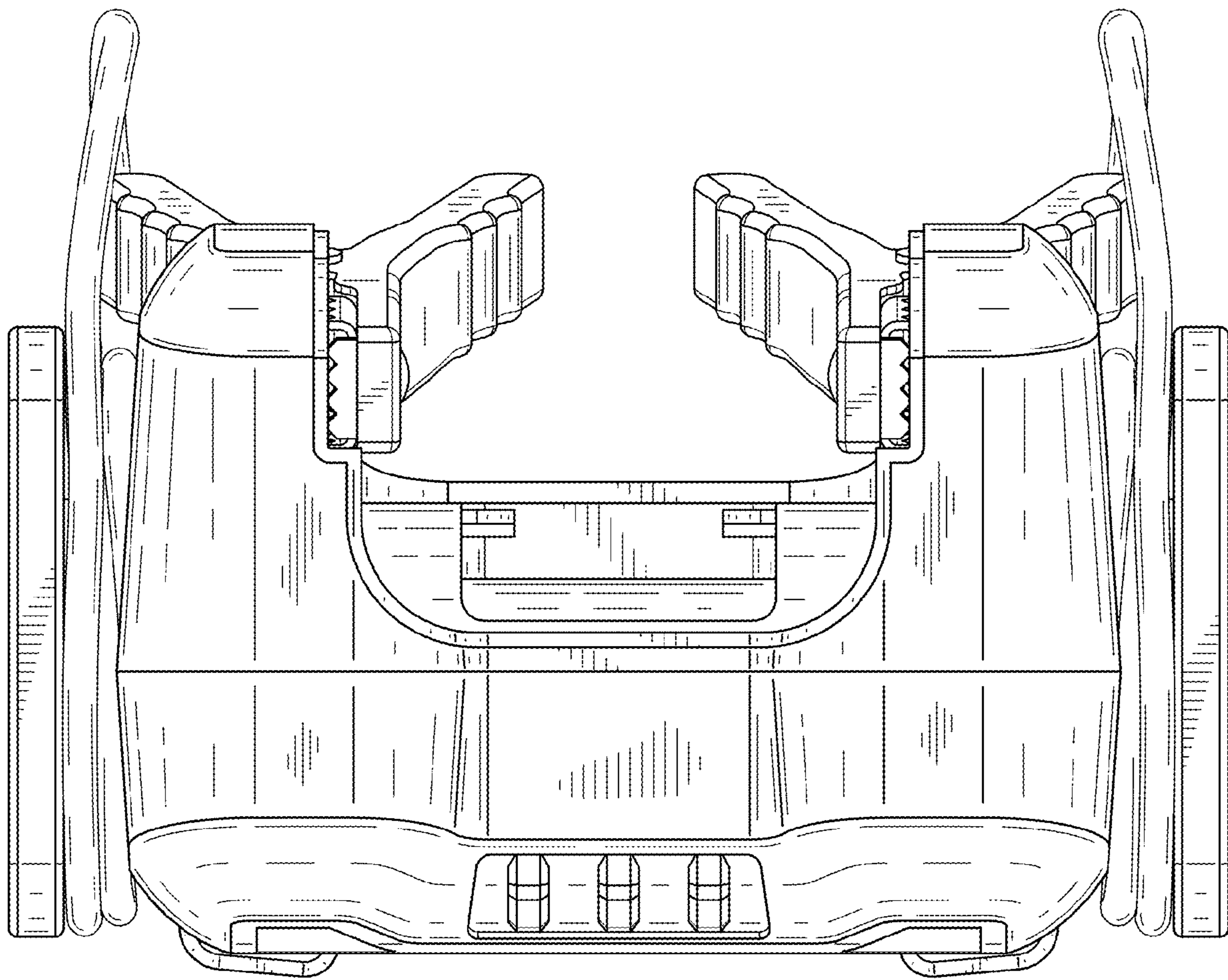


FIG. 4



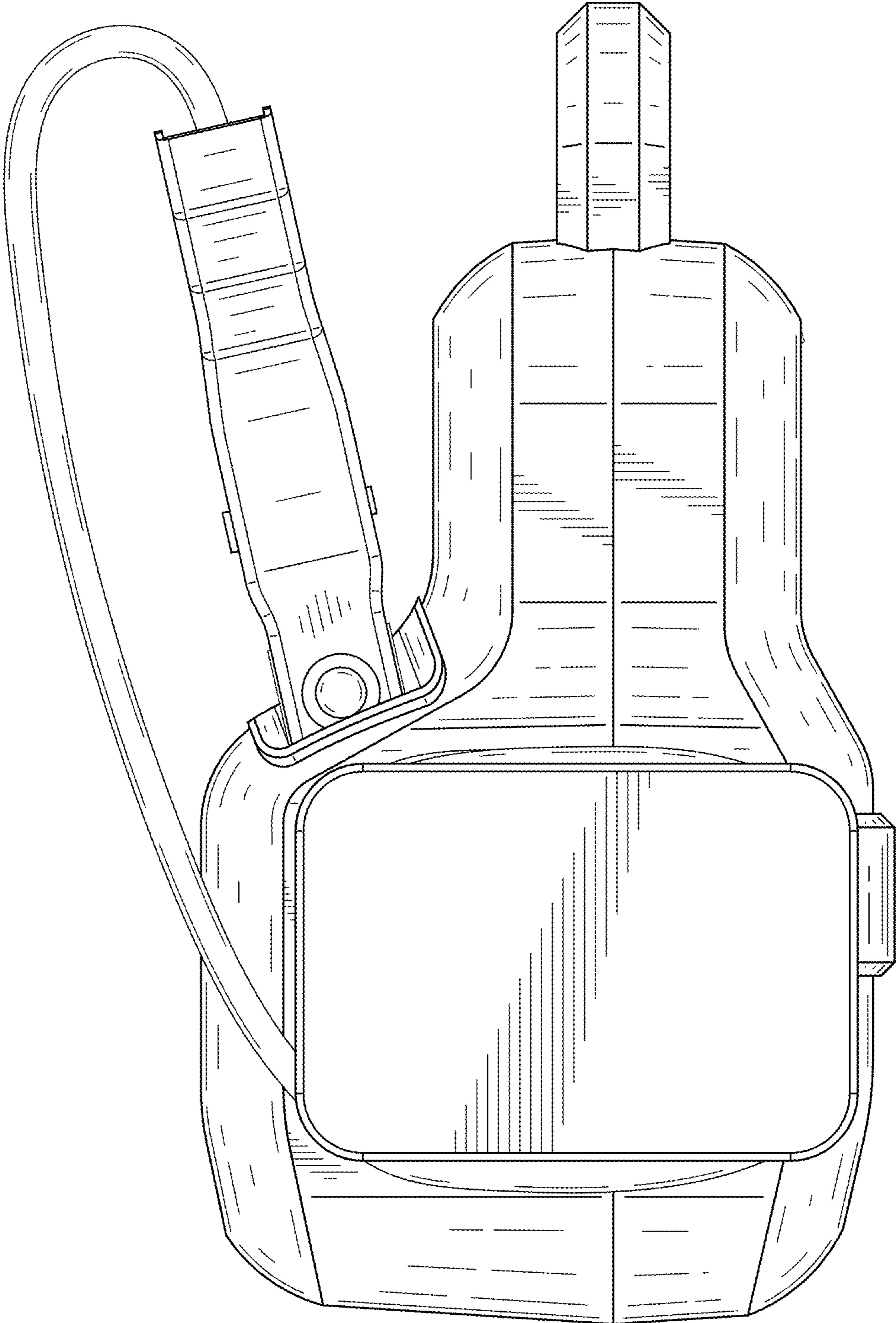


FIG. 5

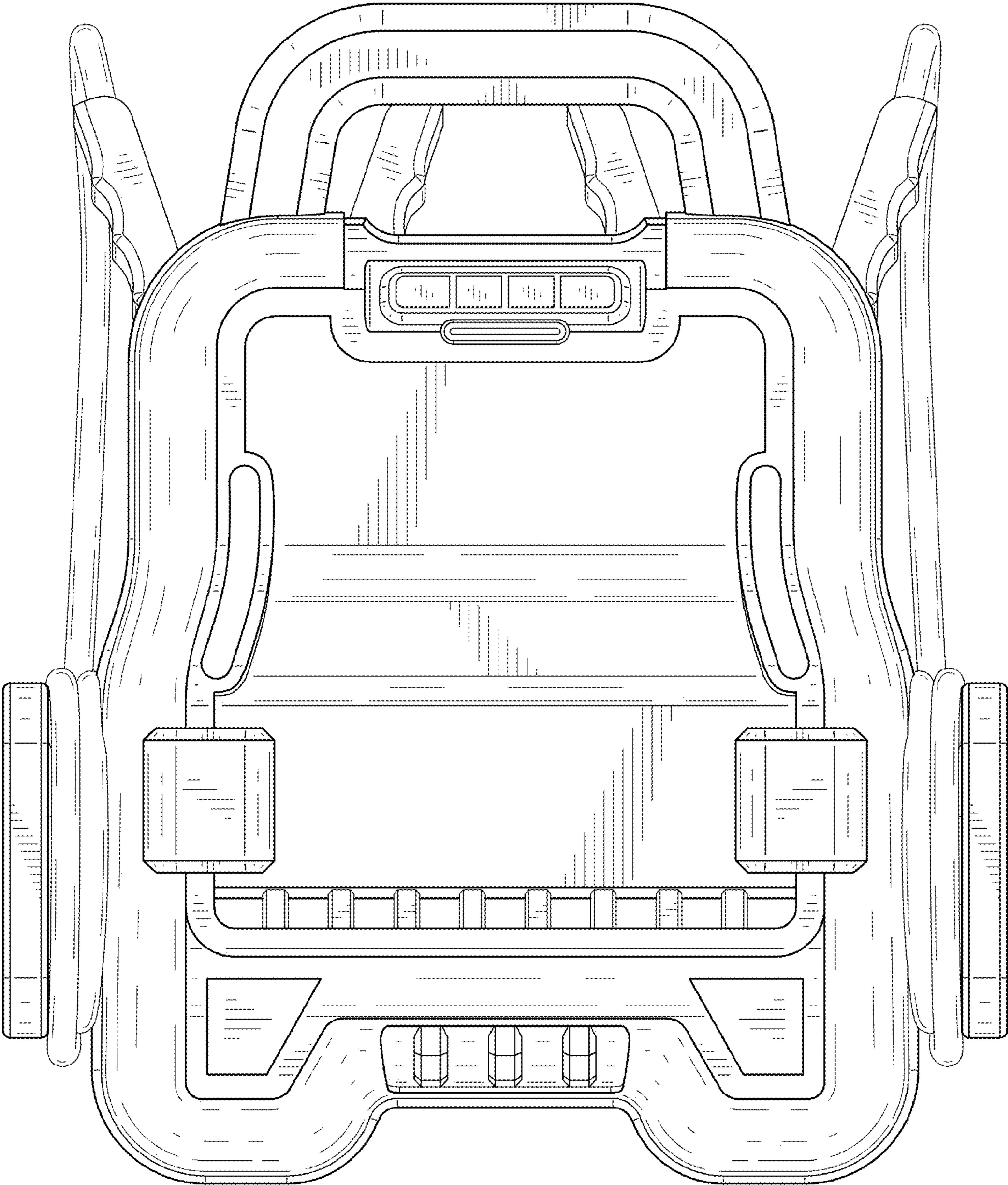


FIG. 6

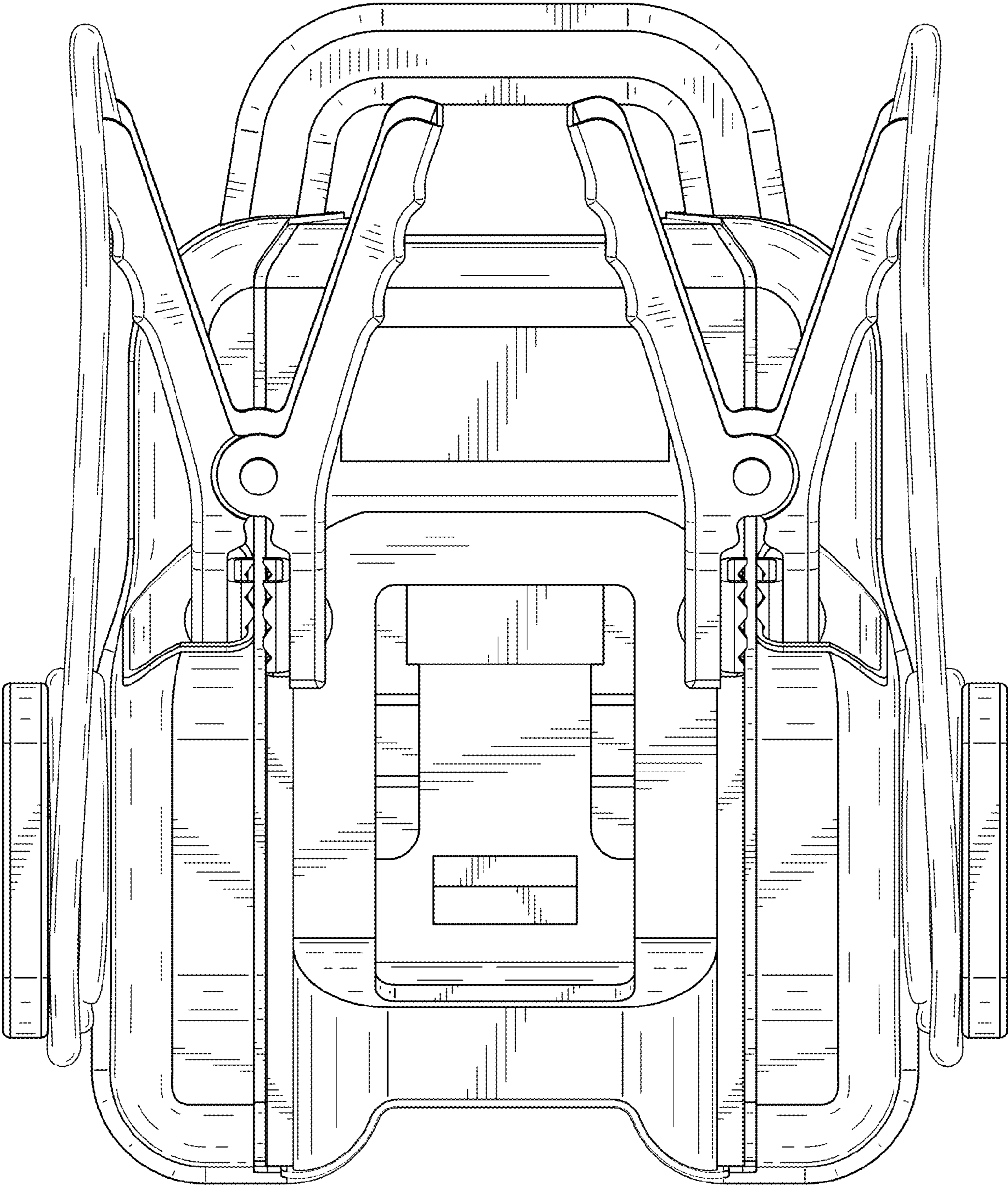


FIG. 7



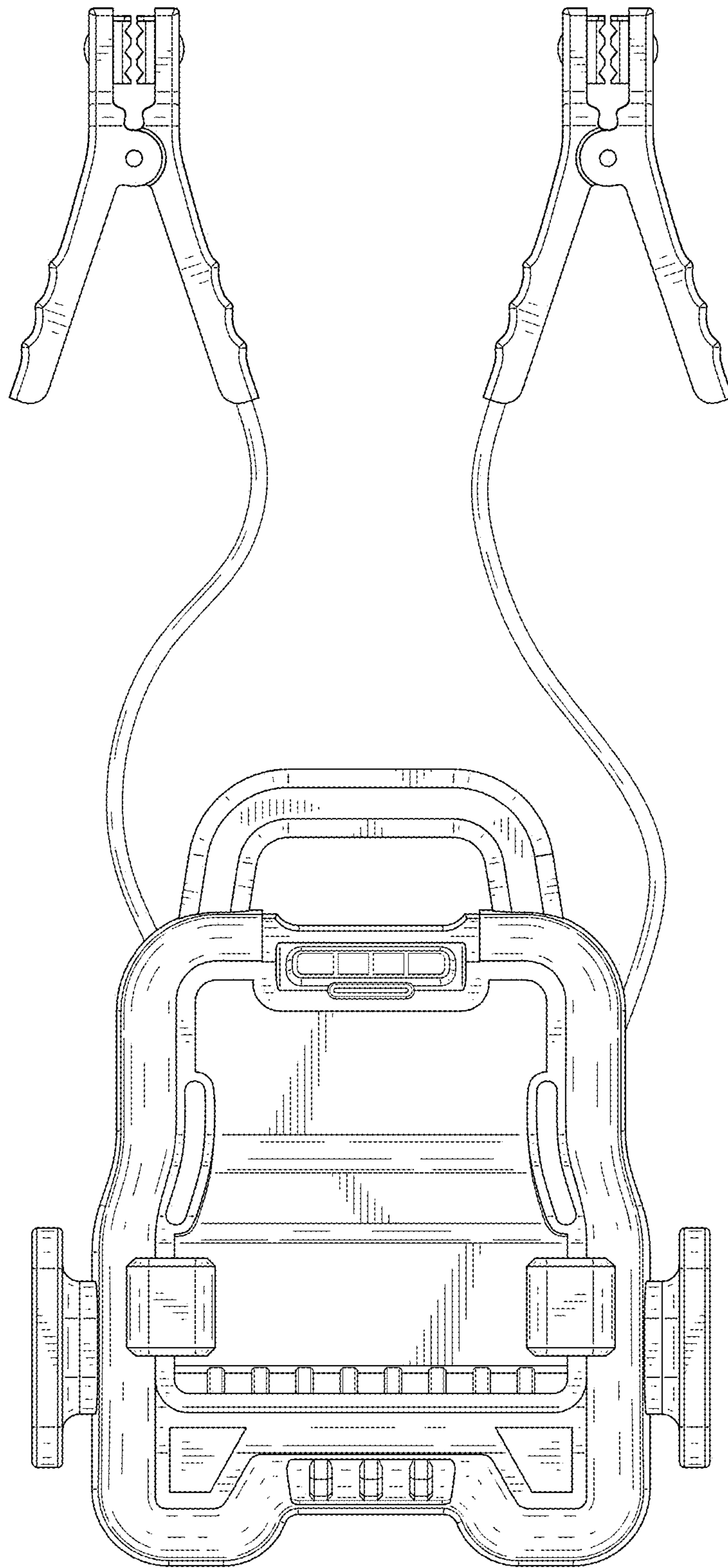


FIG. 8

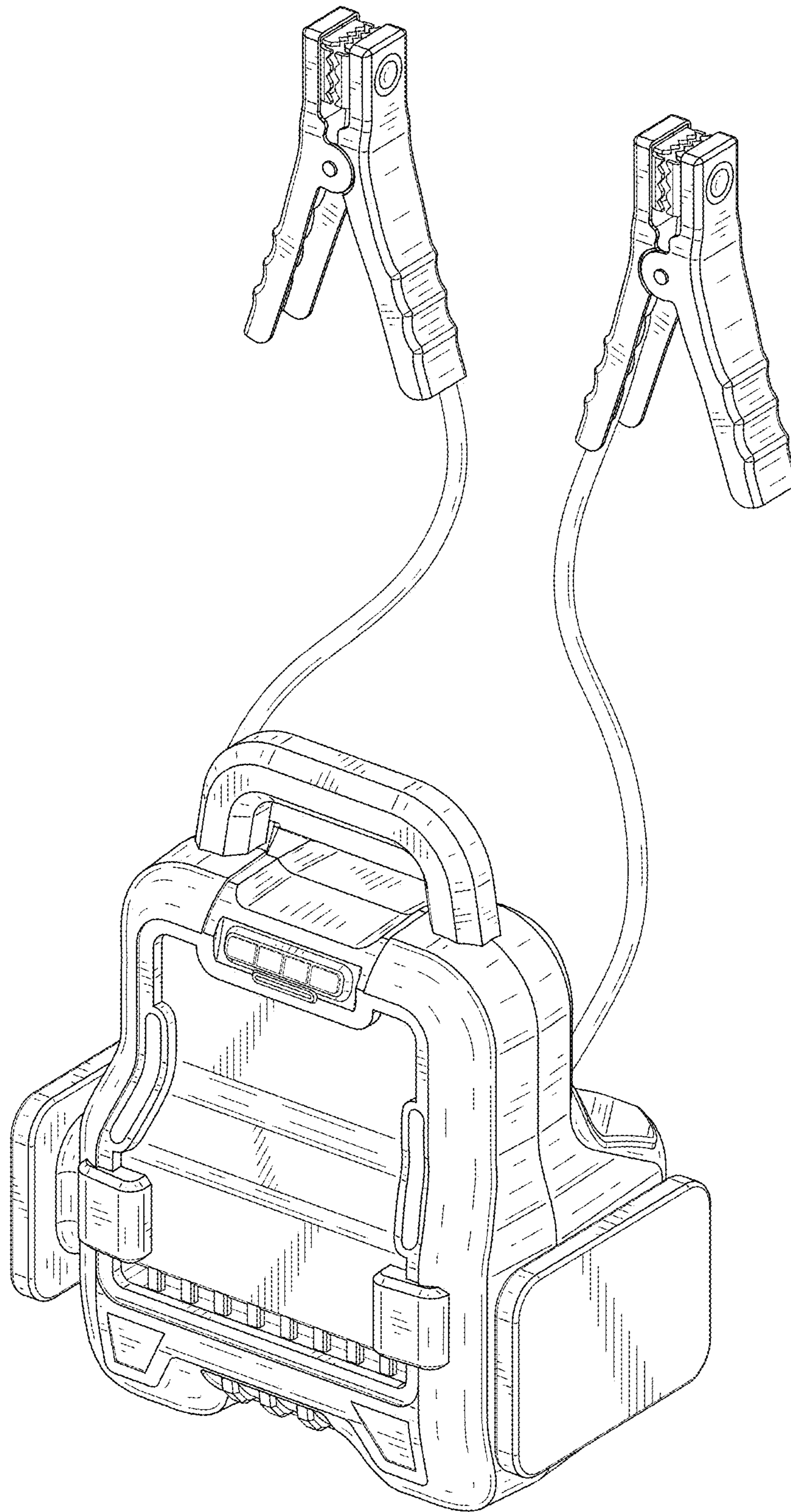


FIG. 9