



US00D886722S

(12) **United States Design Patent** (10) **Patent No.:** **US D886,722 S**
Sadananda et al. (45) **Date of Patent:** **** Jun. 9, 2020**

- (54) **TIRE**
- (71) Applicant: **The Goodyear Tire & Rubber Company, Akron, OH (US)**
- (72) Inventors: **Suraj Sadananda, Colmar-Berg (LU); Franck Reygrobellet, Luxembourg (LU); Christophe Henri Joseph Schyns, Rossart (BE); Philippe Jean-Marie Coton, Habay (BE); Armand Rene Gabriel Leconte, Insenborn (LU); Nicolas Venet, Thionville (FR); Jaroslaw Micek, Colmar-Berg (LU)**
- (73) Assignee: **The Goodyear Tire & Rubber Company, Akron, OH (US)**
- (**) Term: **15 Years**
- (21) Appl. No.: **29/689,024**
- (22) Filed: **Apr. 26, 2019**
- (51) **LOC (12) Cl.** **12-15**
- (52) **U.S. Cl.**
USPC **D12/594**
- (58) **Field of Classification Search**
USPC D12/579, 580, 586, 588, 594, 595, 600, D12/601
CPC .. B60C 11/0306; B60C 11/0309; B60C 11/04
See application file for complete search history.

- D528,500 S 9/2006 Le et al. D12/600
 - D533,498 S 12/2006 Scheuren et al. D12/588
 - D554,055 S 10/2007 Beauguitte et al. D12/600
- (Continued)

OTHER PUBLICATIONS

U.S. Appl. No. 29/653,179, filed Jun. 13, 2018, by Dixon, et al.
U.S. Appl. No. 29/685,368, filed Mar. 28, 2018, by Dixon, et al.

Primary Examiner — Robert M. Spear
(74) *Attorney, Agent, or Firm* — Robert N Lipsik

(57) **CLAIM**

The ornamental design for a tire, as shown and described.

DESCRIPTION

FIG. 1 is a perspective view of a tire showing our new design, it being understood that the pattern repeats uniformly throughout the circumference of the tread;
 FIG. 2 is a front elevational view thereof;
 FIG. 3 is a right side elevational view thereof; the left side elevational view being identical thereto;
 FIG. 4 is an enlarged fragmentary front elevational view thereof;
 FIG. 5 is a perspective view of a second embodiment of a tire showing our new design, it being understood that the interior of the tire forms no part of the claim, that the pattern repeats uniformly throughout the circumference of the tread and that the opposite side view is identical thereto; and,
 FIG. 6 is a front elevational view of a second embodiment, it being understood that an enlarged fragmentary view thereof would be substantially identical to that shown in FIG. 4, with the exception of the inclusion of the sidewall in the claim.

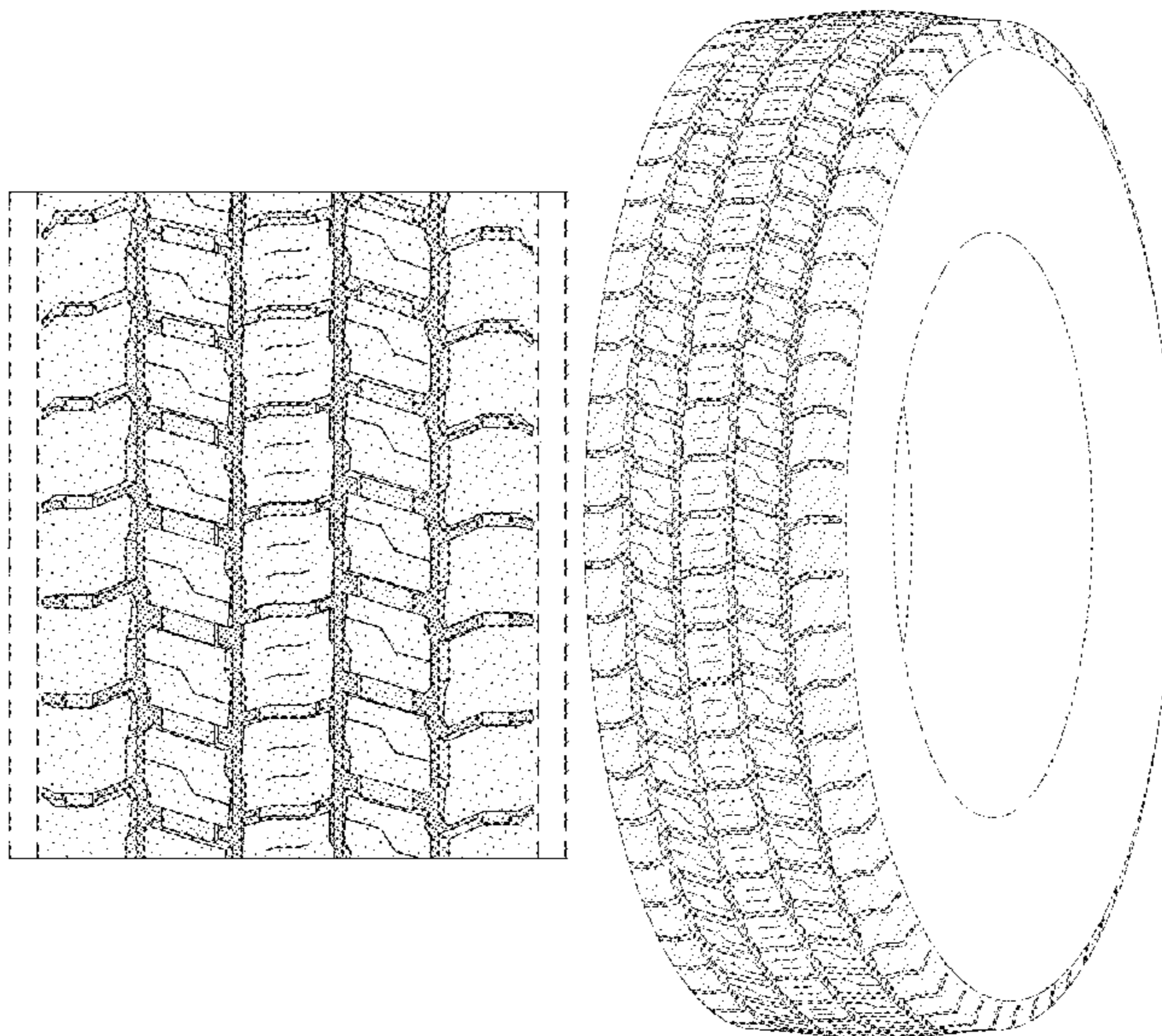
In the drawings, the broken lines immediately adjacent to the outer edges of the tire shoulder represent boundaries of the claim, and the broken lines depict environmental subject matter only and form no part of the claimed design.

1 Claim, 6 Drawing Sheets

(56) **References Cited**

U.S. PATENT DOCUMENTS

- D381,000 S 7/1997 White D12/147
- D410,420 S 6/1999 de Barsy D12/147
- D452,199 S 12/2001 Robert et al. D12/146
- D473,843 S * 4/2003 Le D12/600
- D481,670 S 11/2003 Harden, Jr. et al. D12/595
- D500,288 S 12/2004 Maziarka et al. D12/601



(56)

References Cited

U.S. PATENT DOCUMENTS

D569,334 S	5/2008	Maziarka et al.	D12/600
D586,730 S	2/2009	Scheuren et al.	D12/553
D592,590 S	5/2009	Janesh et al.	D12/600
D601,085 S	9/2009	Janesh et al.	D12/600
D604,226 S	11/2009	Scheuren	D12/553
D616,357 S	5/2010	Cerny	D12/600
D626,501 S	11/2010	Cazin-Bourguignon et al.	D12/600
D627,713 S	11/2010	Le et al.	D12/600
D628,955 S	12/2010	Toumni et al.	D12/588
D637,142 S	5/2011	Nicolas et al.	D12/579
D645,810 S	9/2011	Le et al.	D12/600
D662,457 S	6/2012	Krier et al.	D12/588
D662,458 S *	6/2012	De Benedittis	D12/595
D666,965 S	9/2012	Aoki	D12/553
D667,364 S	9/2012	Krier et al.	D12/586
D710,294 S	8/2014	Dixon et al.	D12/588
D735,650 S	8/2015	Bachtel et al.	D12/600
D736,695 S	8/2015	Dixon et al.	D12/594
D738,293 S	9/2015	Cothran et al.	D12/580
D738,815 S	9/2015	Dixon et al.	D12/594
D758,959 S *	6/2016	Krier	D12/588
D759,584 S *	6/2016	Ono	D12/588
D761,192 S	7/2016	Dixon et al.	D12/594
D772,150 S	11/2016	Kim	D12/587
D781,223 S	3/2017	Dixon et al.	D12/588
D795,176 S	8/2017	Farinelle et al.	D12/602
D813,797 S *	3/2018	Dixon	D12/588
D832,198 S *	10/2018	Schultz	D12/594
D838,234 S	1/2019	Takahashi	D12/600
D867,272 S *	11/2019	Jacobs	D12/594
D879,023 S *	3/2020	Takano	D12/594

* cited by examiner

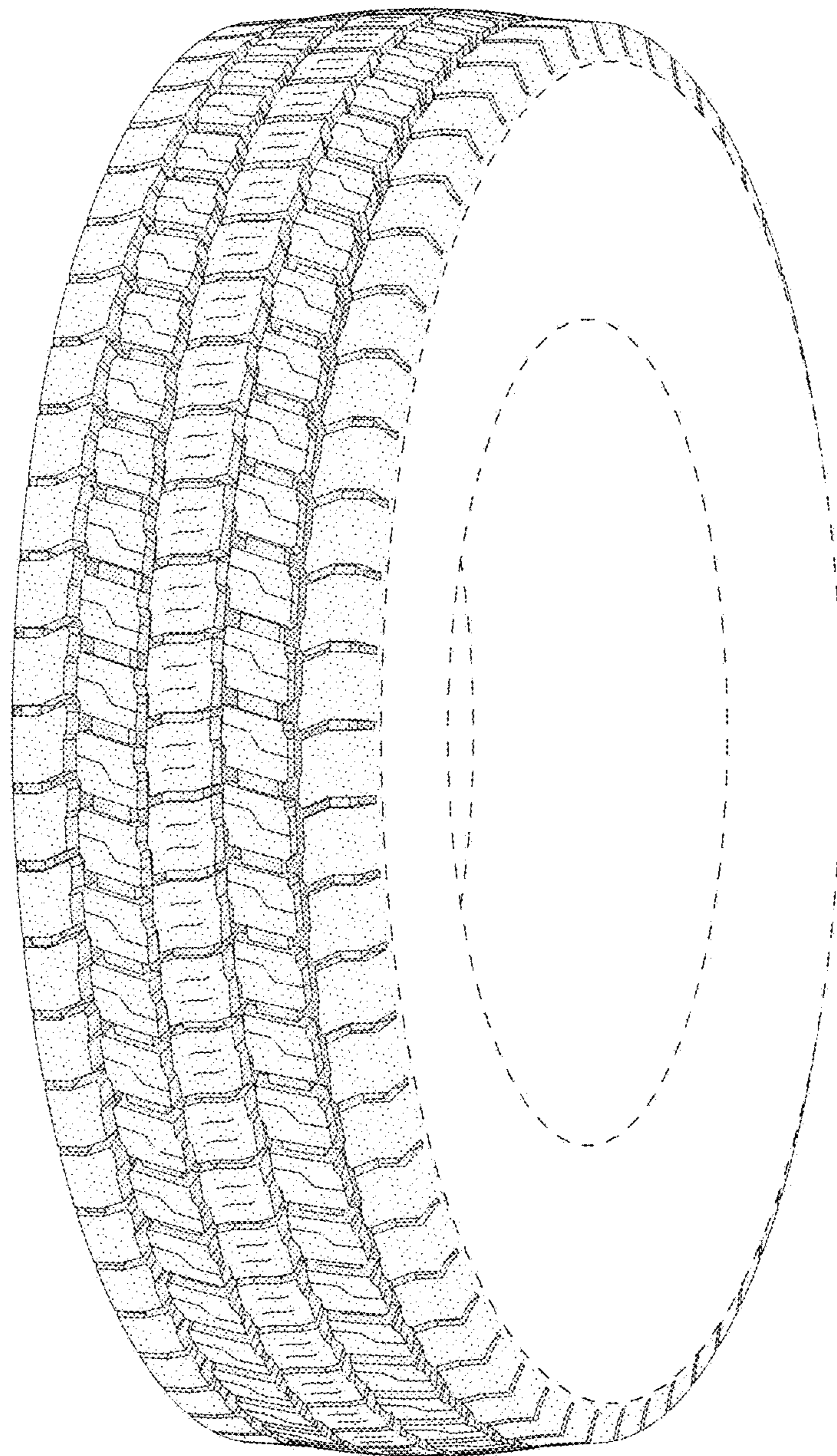


FIG - 1

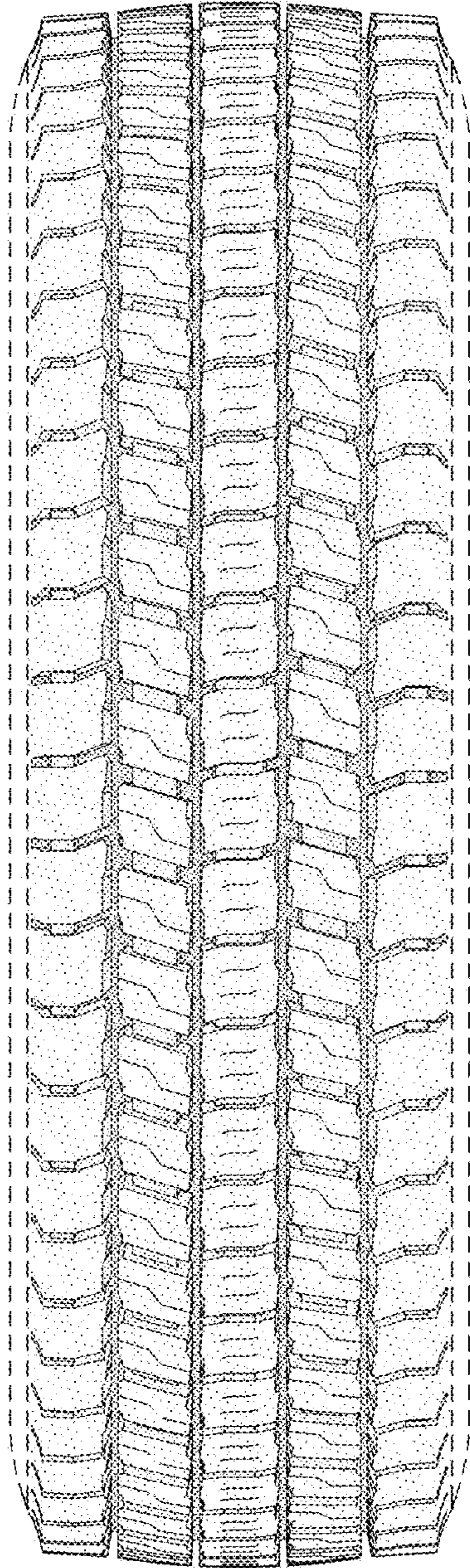


FIG - 2

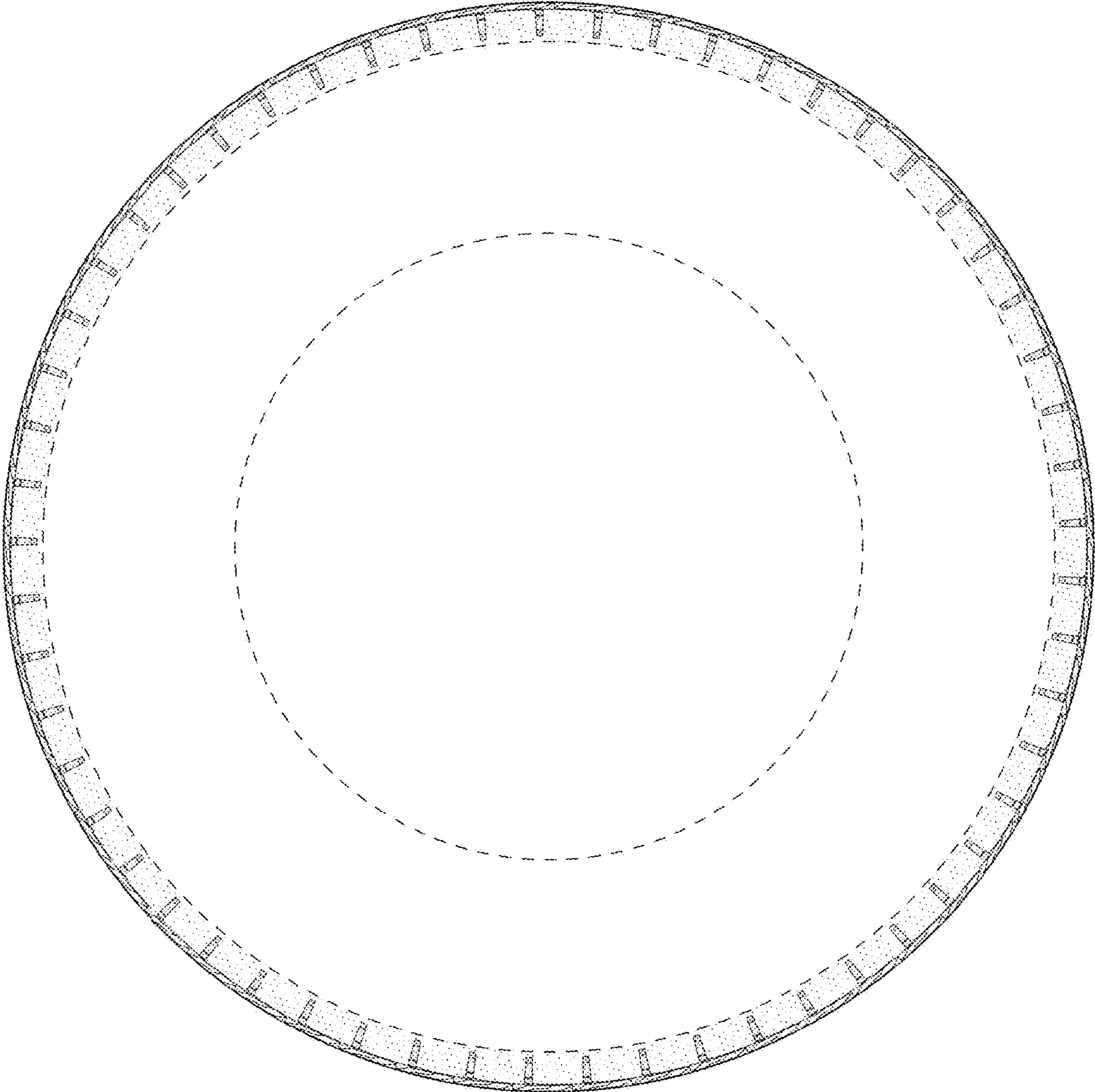


FIG - 3

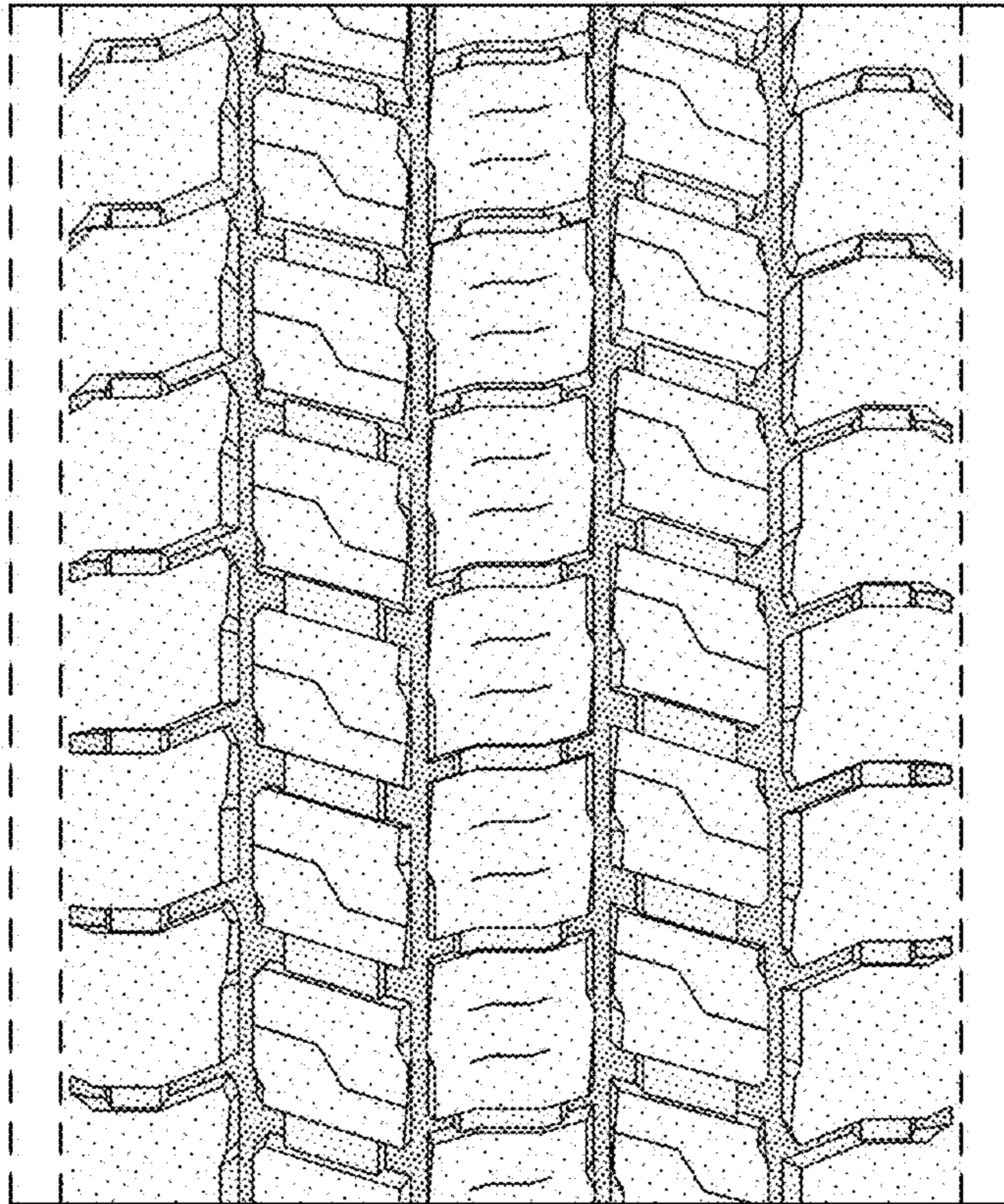


FIG - 4

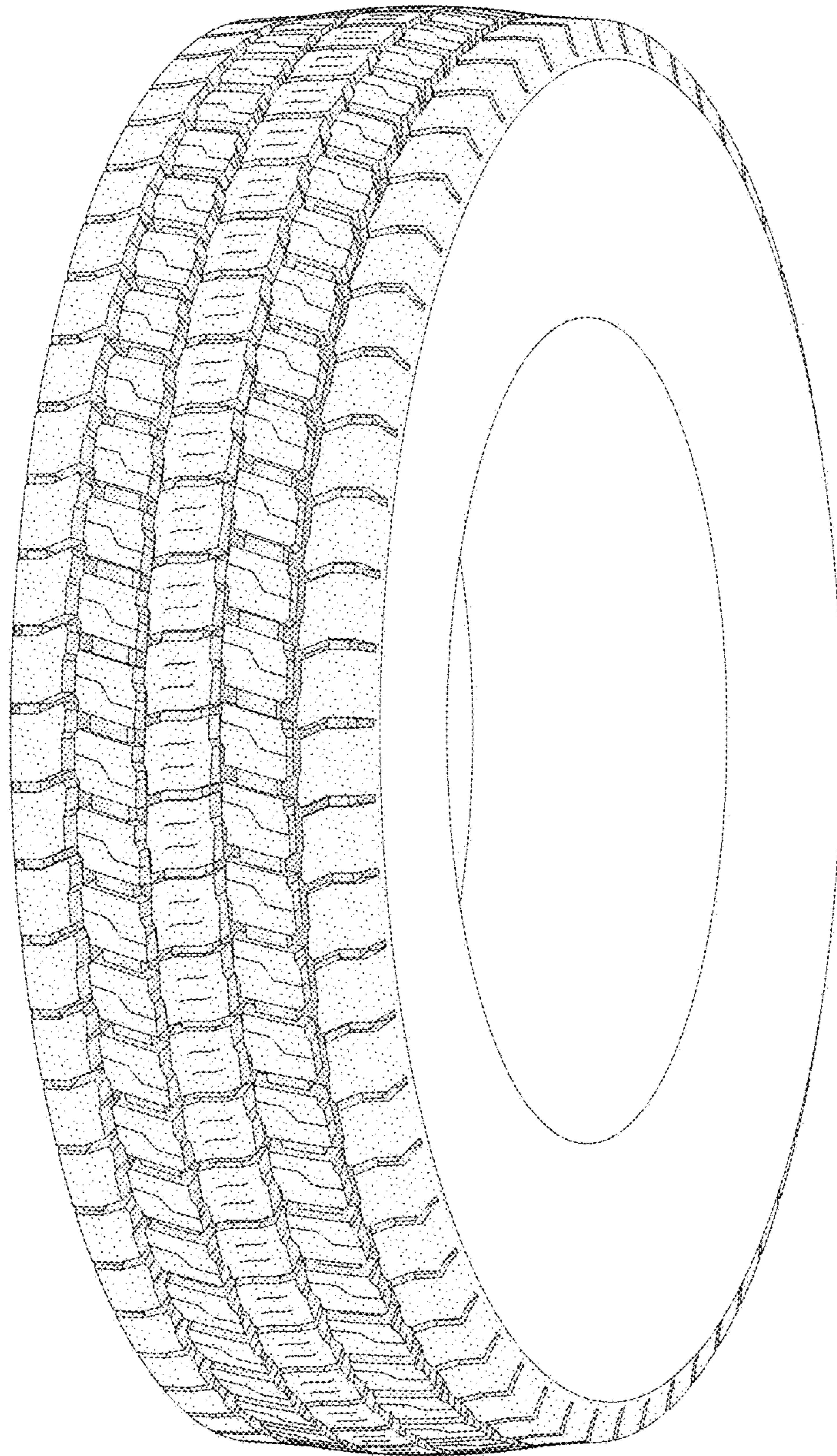


FIG - 5

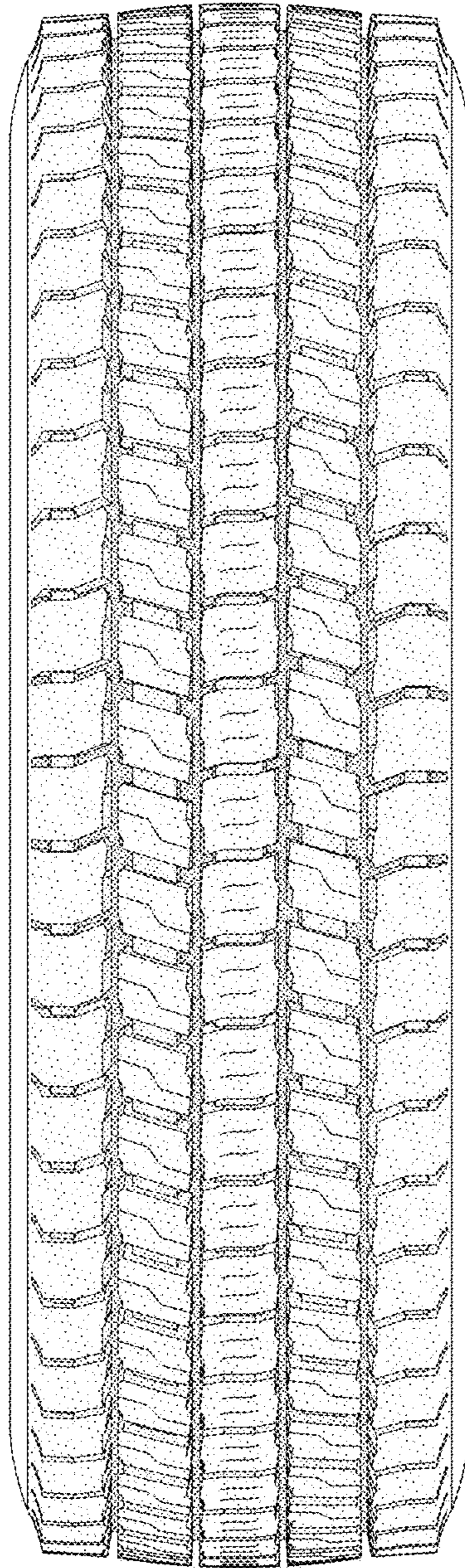


FIG - 6