



US00D886718S

(12) **United States Design Patent**
Roth et al.

(10) **Patent No.:** **US D886,718 S**
(45) **Date of Patent:** **** Jun. 9, 2020**

- (54) **TIRE**
- (71) Applicant: **The Goodyear Tire & Rubber Company, Akron, OH (US)**
- (72) Inventors: **Florian Roth, Buedingen (DE); Kalicharan Gurunathan, Dreieich (DE); Pierre Marc Ghislain Jadin, Vieuxville (BE)**
- (73) Assignee: **The Goodyear Tire & Rubber Company, Akron, OH (US)**
- (**) Term: **15 Years**
- (21) Appl. No.: **29/679,072**
- (22) Filed: **Feb. 1, 2019**
- (51) **LOC (12) Cl.** **12-15**
- (52) **U.S. Cl.**
USPC **D12/590**
- (58) **Field of Classification Search**
USPC D12/586, 587, 588, 589, 590, 594, 595, D12/600, 601, 602, 603, 900
CPC B60C 11/032; B60C 11/0388
See application file for complete search history.

(56) **References Cited**

U.S. PATENT DOCUMENTS

D350,098 S *	8/1994	Attinello	D12/586
D556,125 S *	11/2007	Blackiston	D12/598
D578,955 S	10/2008	Fontaine et al.	D12/524
D586,725 S	2/2009	Fontaine et al.	D12/519
D607,809 S	1/2010	Fontaine et al.	D12/523
D623,586 S	9/2010	Fontaine et al.	D12/519
D624,870 S	10/2010	Fontaine et al.	D12/517
D639,722 S	6/2011	Sieber et al.	D12/532
D652,785 S *	1/2012	Rittweger	D12/590
D666,137 S	8/2012	Sieber et al.	D12/517
D692,371 S	10/2013	Fontaine et al.	D12/517
D694,702 S	12/2013	Leconte et al.	D12/521

D710,290 S	8/2014	Leconte et al.	D12/517
D714,716 S *	10/2014	Buchinger-Barnstorf ...	D12/590
D715,214 S	10/2014	Fontaine et al.	D12/523
D731,961 S *	6/2015	Rittweger	D12/601
D737,751 S	9/2015	Bourel et al.	D12/521
D742,808 S	11/2015	Schimmoller	D12/521
D769,800 S *	10/2016	Raatikainen	D12/590

(Continued)

Primary Examiner — Robert M. Spear

(74) *Attorney, Agent, or Firm* — Robert N Lipsik

(57) **CLAIM**

The ornamental design for a tire, as shown and described.

DESCRIPTION

FIG. 1 is a perspective view of a tire showing our new design, it being understood that the pattern repeats uniformly throughout the circumference of the tread;

FIG. 2 is a front elevational view thereof;

FIG. 3 is a right side elevational view thereof; the left side elevational view being identical thereto;

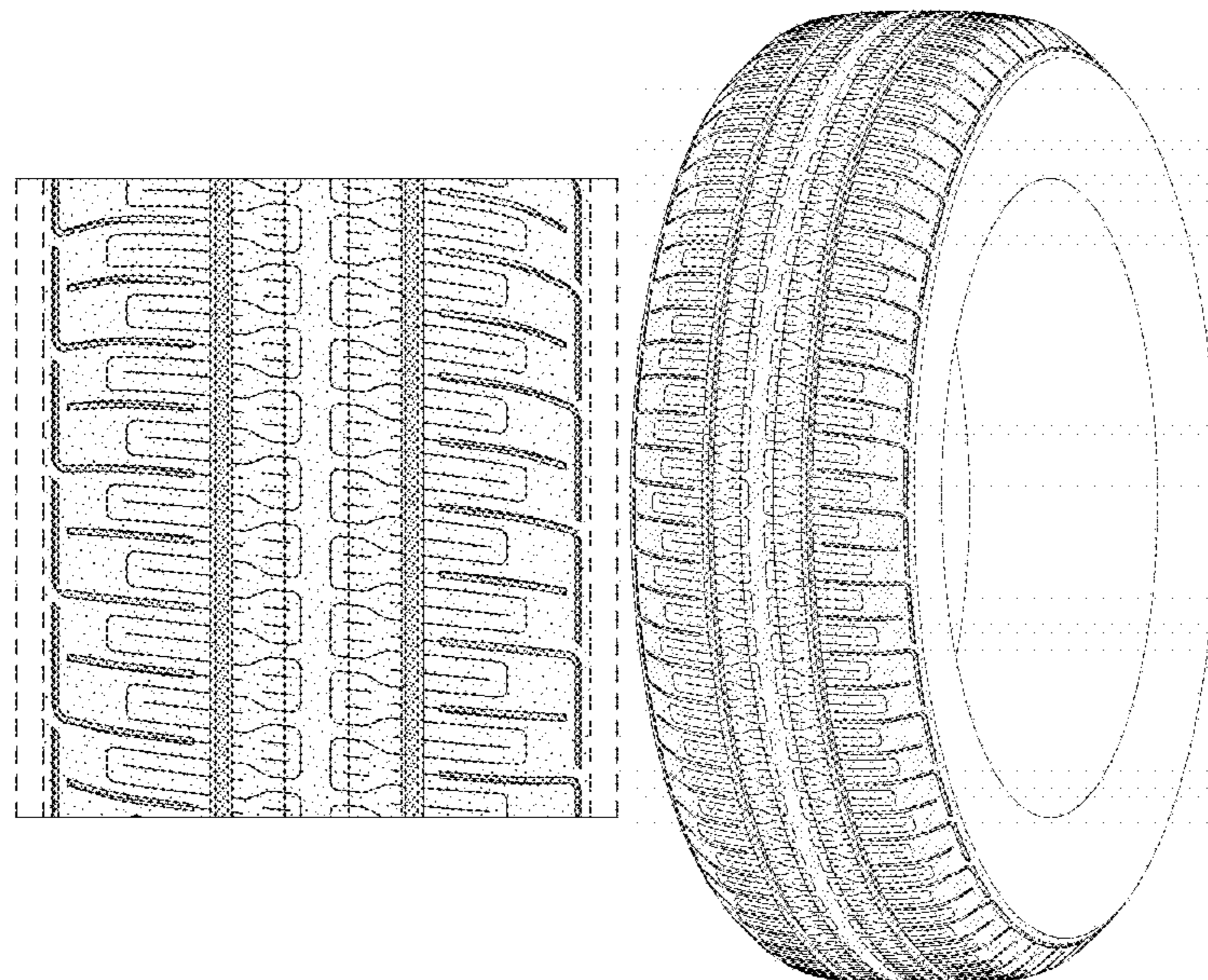
FIG. 4 is an enlarged fragmentary front elevational view thereof;

FIG. 5 is a perspective view of a second embodiment of a tire showing our new design, it being understood that the interior of the tire forms no part of the claim, that the pattern repeats uniformly throughout the circumference of the tread and that the opposite side view is identical thereto; and,

FIG. 6 is a front elevational view of a second embodiment, it being understood that an enlarged fragmentary view thereof would be substantially identical to that shown in FIG. 4, with the exception of the inclusion of the sidewall in the claim.

In the drawings, the broken lines immediately adjacent to the outer edges of the tire shoulder represent boundaries of the claim, and the broken lines depict environmental subject matter only and form no part of the claimed design.

1 Claim, 6 Drawing Sheets



(56)

References Cited

U.S. PATENT DOCUMENTS

D790,446 S *	6/2017	Chen	D12/588
D791,063 S	7/2017	Simon et al.	D12/517
D795,170 S	8/2017	Ngo et al.	D12/584
D795,790 S	8/2017	Simon et al.	D12/517
D816,595 S *	5/2018	Nugier	D12/594
D817,859 S	5/2018	Meetarbhan et al.	D12/590
D821,298 S *	6/2018	Fontaine	D12/590
D837,723 S *	1/2019	Schultz	D12/588
D864,847 S *	10/2019	Zhang	D12/588
D870,651 S *	12/2019	Youn	D12/590

* cited by examiner

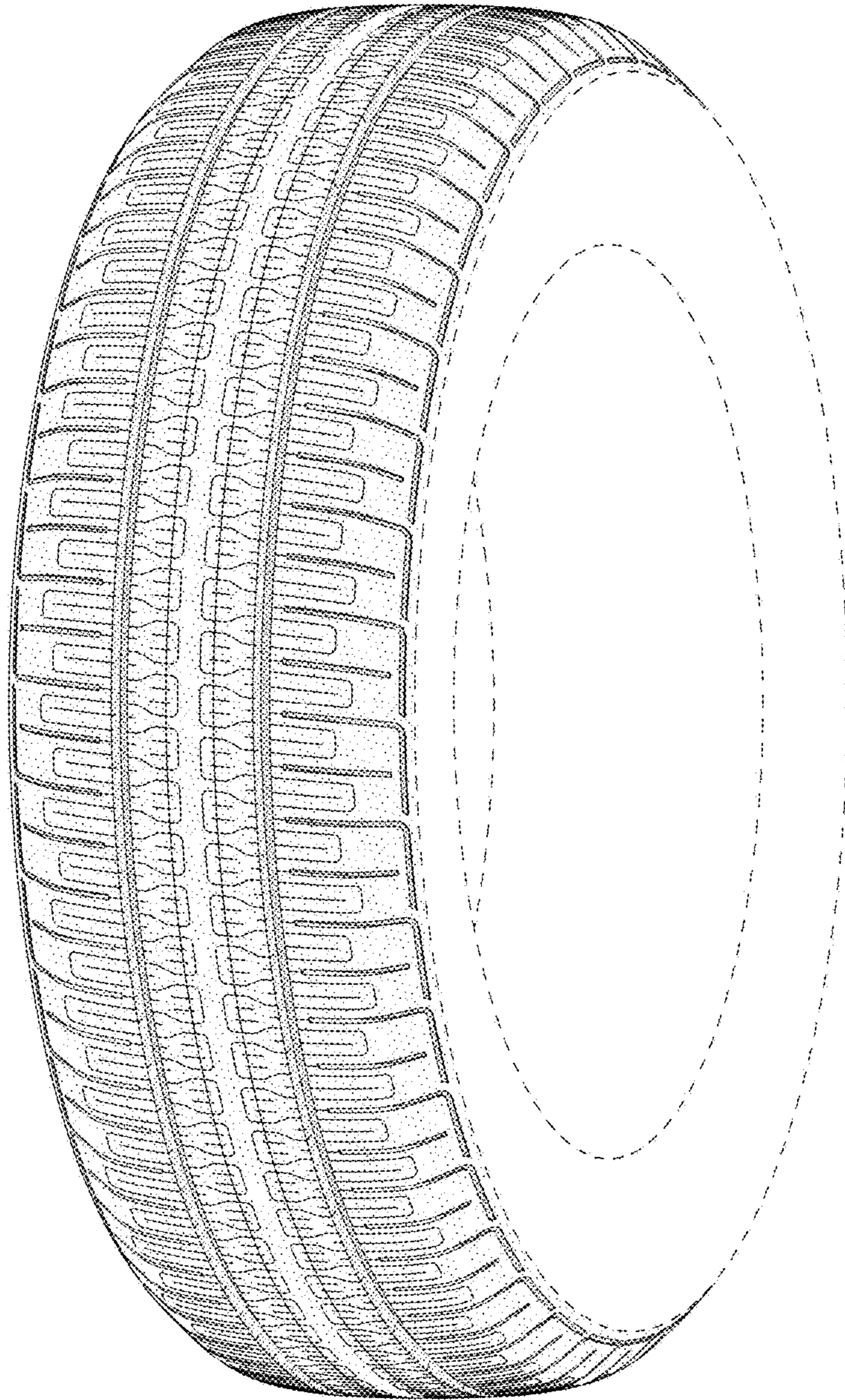


FIG - 1

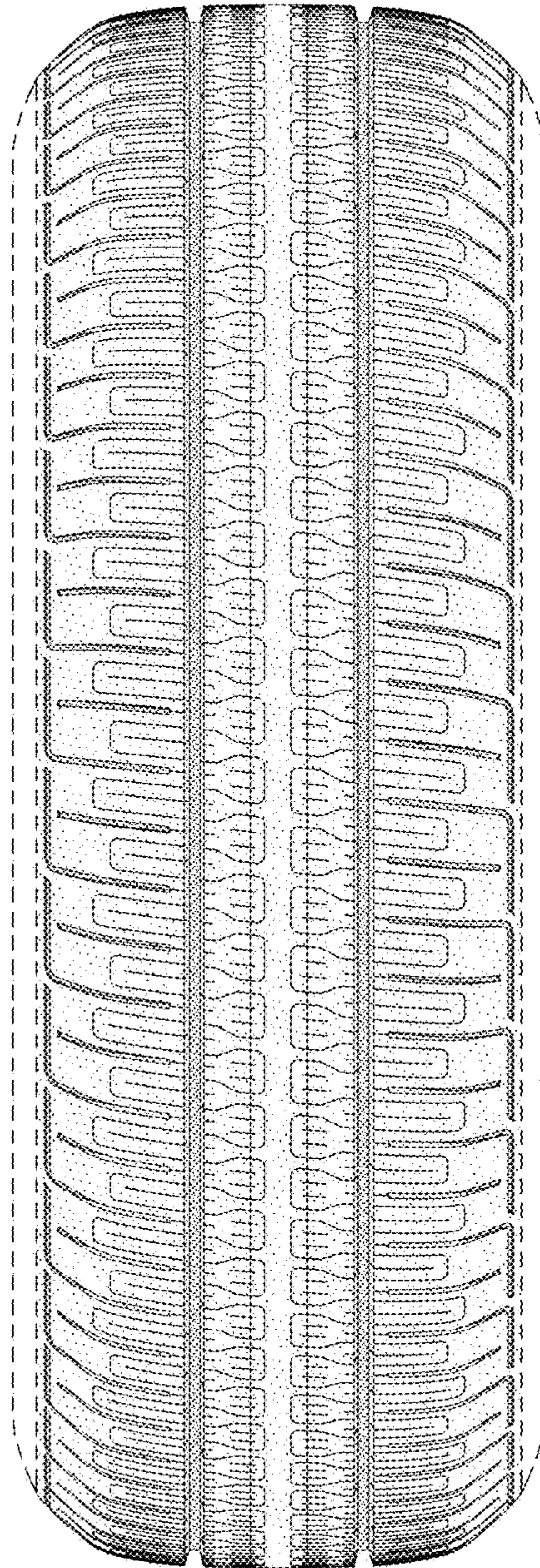


FIG - 2

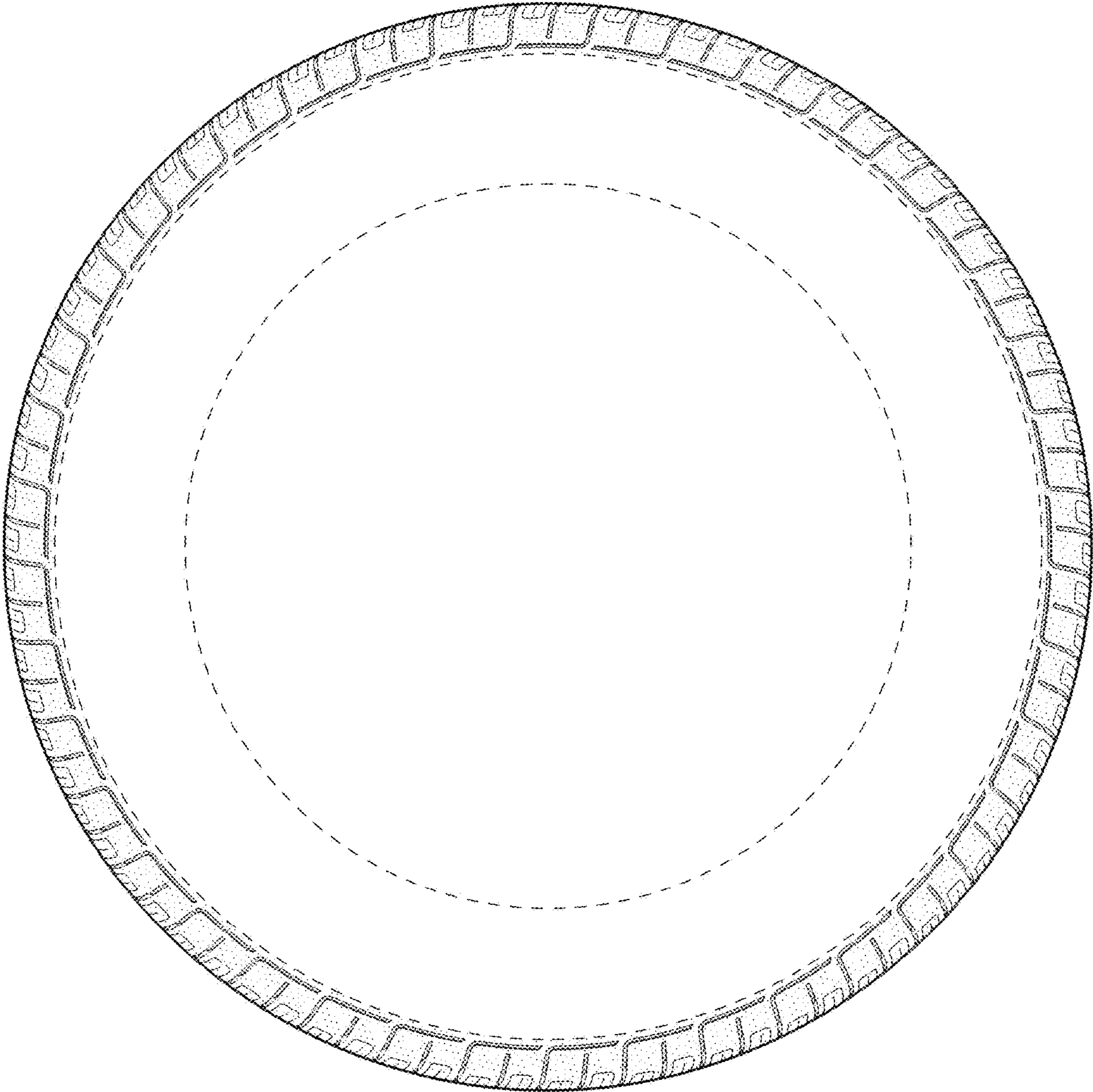


FIG - 3

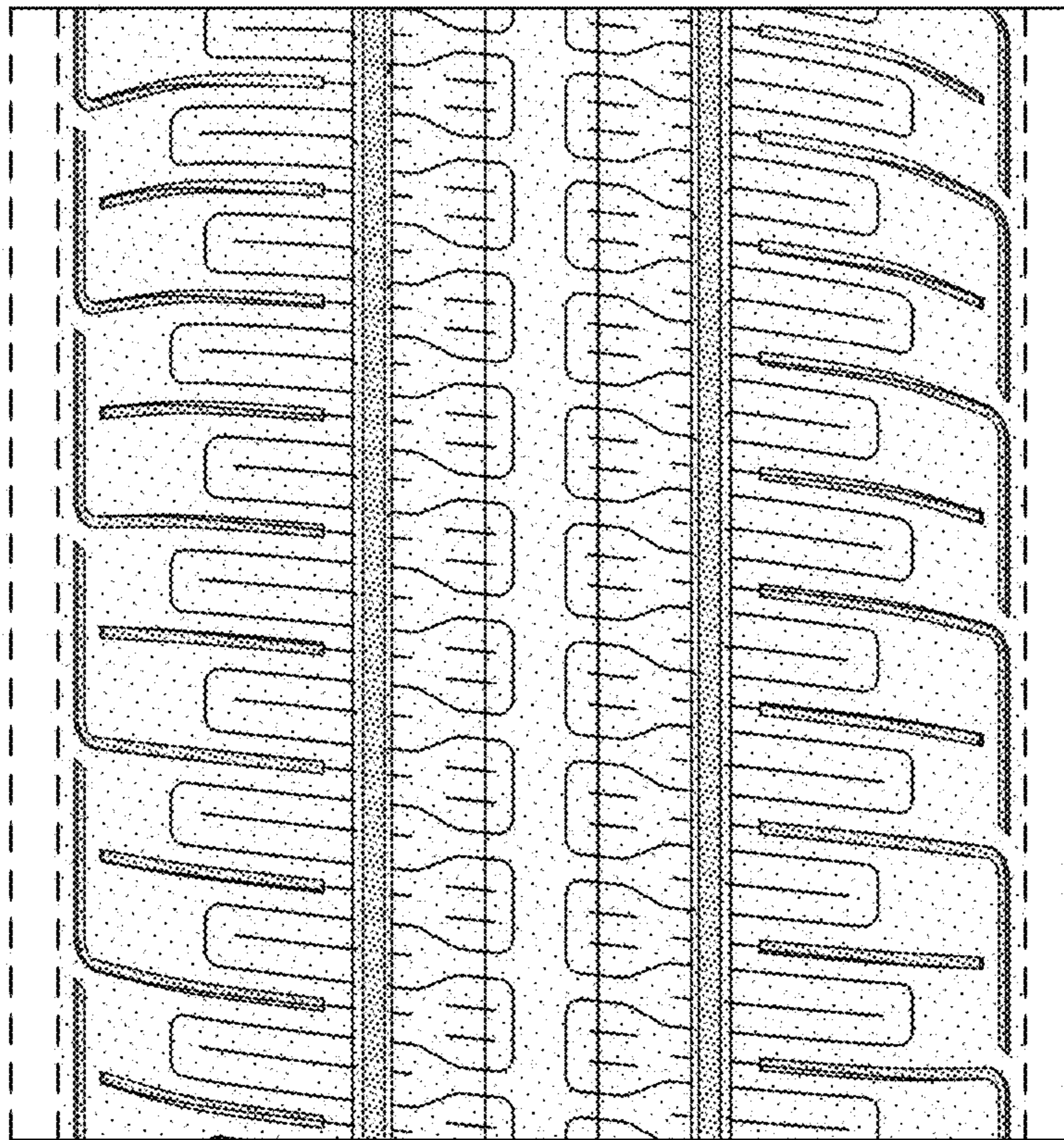


FIG - 4

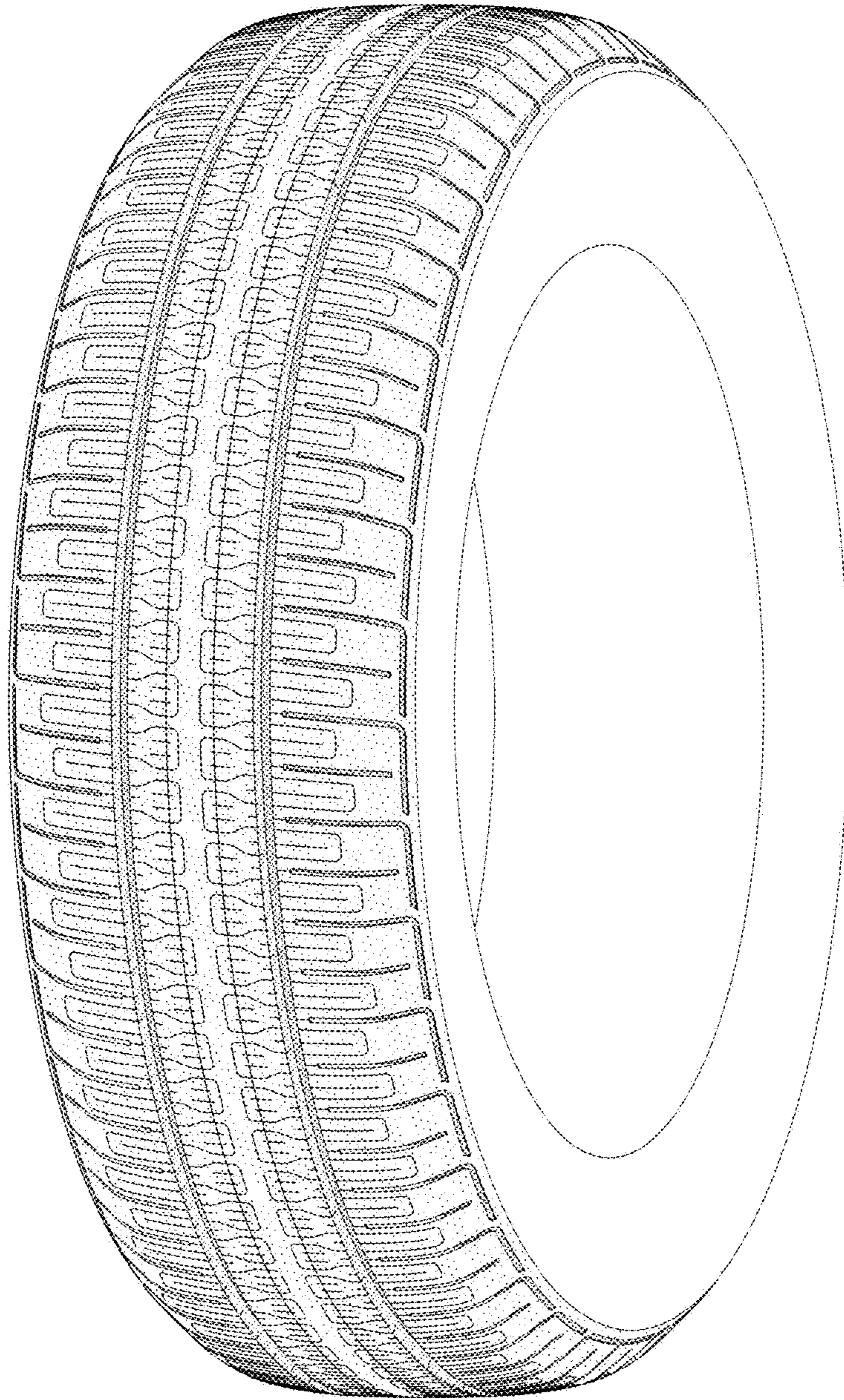


FIG - 5

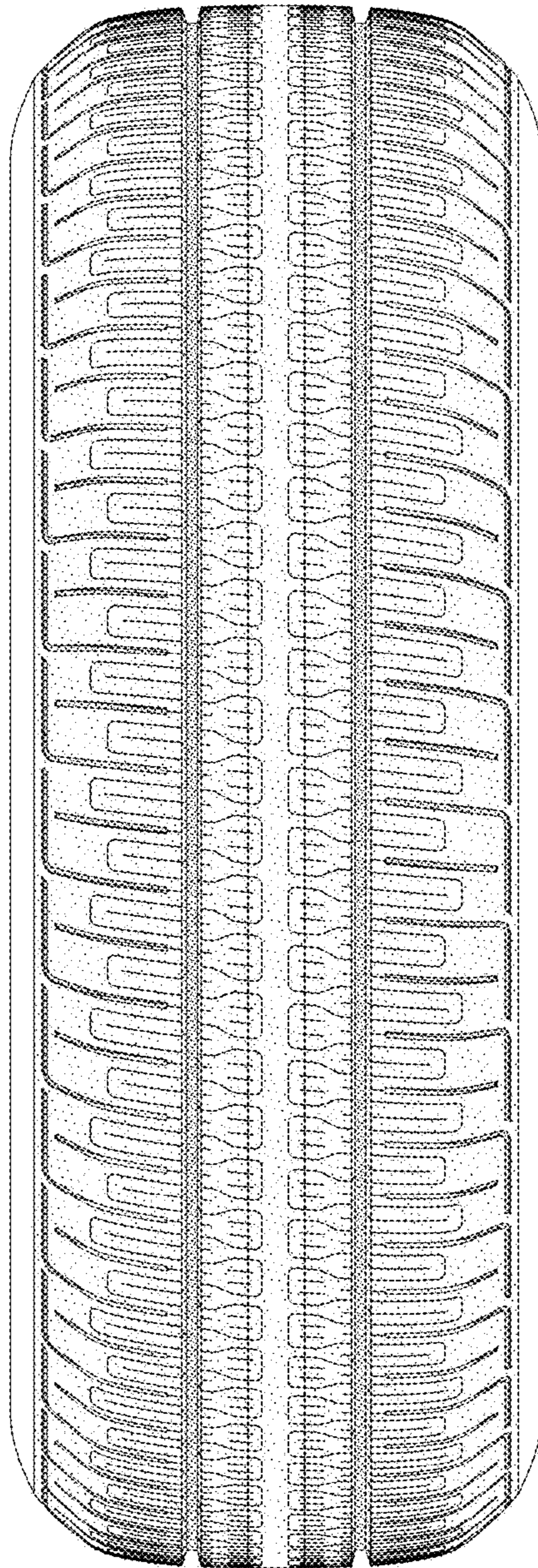


FIG - 6