



US00D886708S

(12) **United States Design Patent** (10) **Patent No.:** **US D886,708 S**  
**Hodson et al.** (45) **Date of Patent:** **\*\* Jun. 9, 2020**

(54) **CYCLING ACCESSORY HOLDER**  
(71) Applicant: **OMNICO (PTY) LIMITED**, Cape Town (ZA)  
(72) Inventors: **Alan Hodson**, Cape Town (ZA); **Denis Futter**, Cape Town (ZA)  
(73) Assignee: **OMNICO (PTY) LIMITED**, Cape Town (ZA)  
(\*\*) Term: **15 Years**  
(21) Appl. No.: **29/683,754**  
(22) Filed: **Mar. 15, 2019**  
(51) **LOC (12) Cl.** ..... **12-16**  
(52) **U.S. Cl.**  
USPC ..... **D12/411; D12/114**  
(58) **Field of Classification Search**  
USPC ..... D12/114, 411, 111; D7/620, 619.1, 601; D3/221, 328  
CPC ..... B62J 9/00; B62J 9/02  
See application file for complete search history.

D529,859 S \* 10/2006 Irvine ..... D12/411  
D530,261 S \* 10/2006 Irvine ..... D12/411  
D557,653 S \* 12/2007 Meggiolan ..... D12/411  
D605,578 S \* 12/2009 Retief ..... D12/411  
D640,624 S \* 6/2011 Valiquette ..... D12/411  
D652,783 S \* 1/2012 Serpell ..... D12/411  
D684,104 S \* 6/2013 Goldman ..... D12/411  
D700,877 S \* 3/2014 Serpell ..... D12/411  
8,757,413 B1 \* 6/2014 Kephart ..... B62J 9/005  
206/804  
D775,058 S \* 12/2016 Overman ..... D12/411  
2017/0349229 A1 \* 12/2017 Drew ..... B62J 11/00

\* cited by examiner

*Primary Examiner* — Michelle E. Wilson  
*Assistant Examiner* — Clese Moore, Jr.  
(74) *Attorney, Agent, or Firm* — Nath, Goldberg & Meyer; Joshua B. Goldberg

(57) **CLAIM**

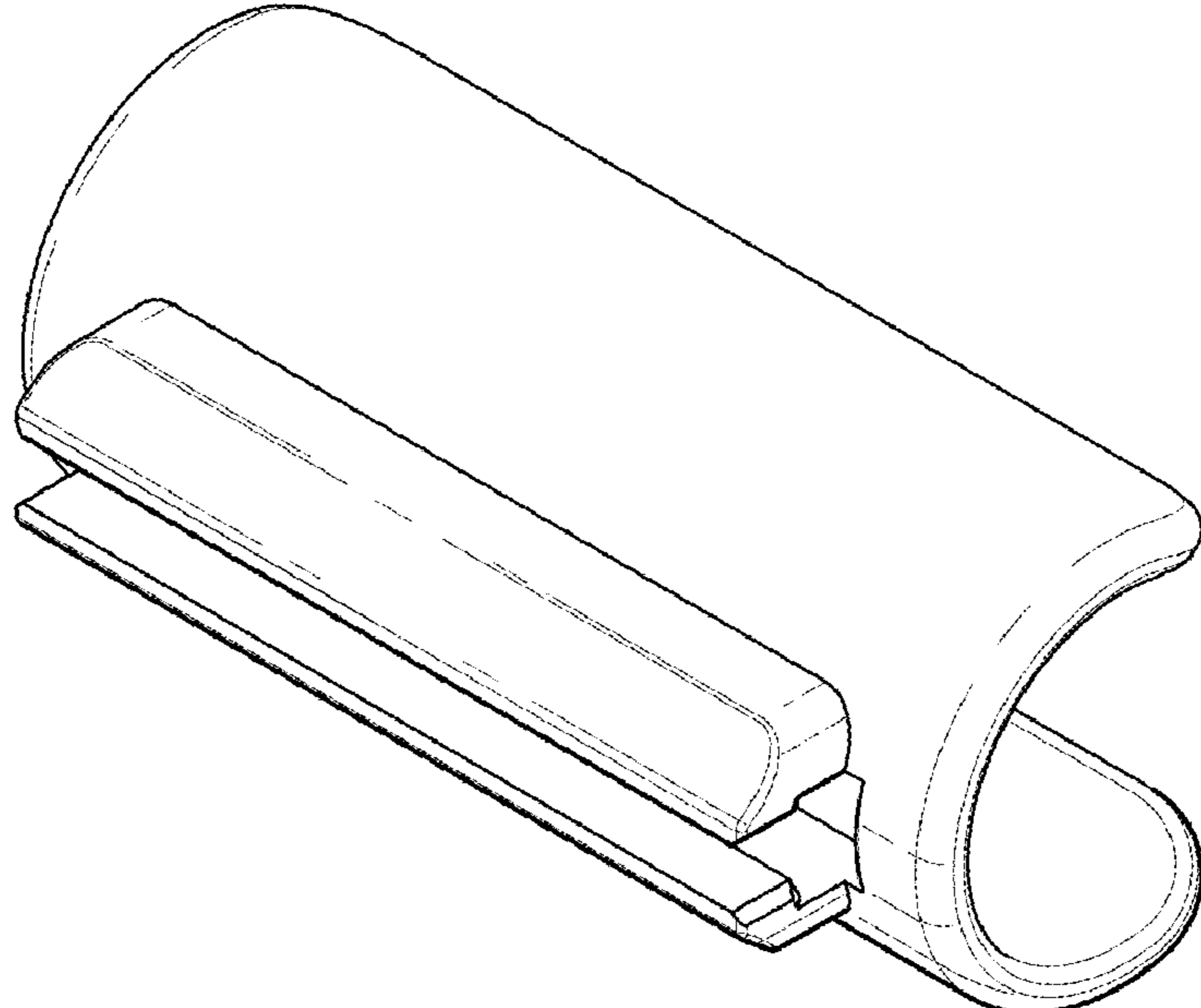
The ornamental design for a cycling accessory holder, as shown and described.

**DESCRIPTION**

FIG. 1 is a front perspective view of a cycling accessory holder showing our new design;  
FIG. 2 is a rear, lower perspective view thereof;  
FIG. 3 is a rear, upper perspective view thereof;  
FIG. 4 is a front view thereof;  
FIG. 5 is a rear view thereof;  
FIG. 6 is a right side view thereof;  
FIG. 7 is a left side view thereof;  
FIG. 8 is top view thereof;  
FIG. 9 is a bottom view thereof;  
FIG. 10 is an environmental, perspective view thereof; and,  
FIG. 11 is an environmental, perspective view thereof.  
The broken lines shown in FIGS. 10 and 11, illustrate environment that form no part of the claimed design.

**1 Claim, 4 Drawing Sheets**

(56) **References Cited**  
U.S. PATENT DOCUMENTS  
D332,240 S \* 1/1993 Schlanger ..... D12/411  
D337,288 S \* 7/1993 Ringle' ..... D12/114  
D346,996 S \* 5/1994 Blackburn ..... D12/411  
D348,641 S \* 7/1994 Tsushi ..... D12/411  
D352,268 S \* 11/1994 Kavanaugh ..... D12/411  
D356,542 S \* 3/1995 Finkiewicz ..... D12/411  
D391,222 S \* 2/1998 Lenox ..... D12/411  
D398,563 S \* 9/1998 Lenox ..... D12/114  
5,810,228 A \* 9/1998 Brokering ..... B62J 11/00  
224/414  
D419,129 S \* 1/2000 Kilderry ..... D12/411  
D455,707 S \* 4/2002 Sartore ..... D12/411  
D507,232 S \* 7/2005 Xie ..... D12/411



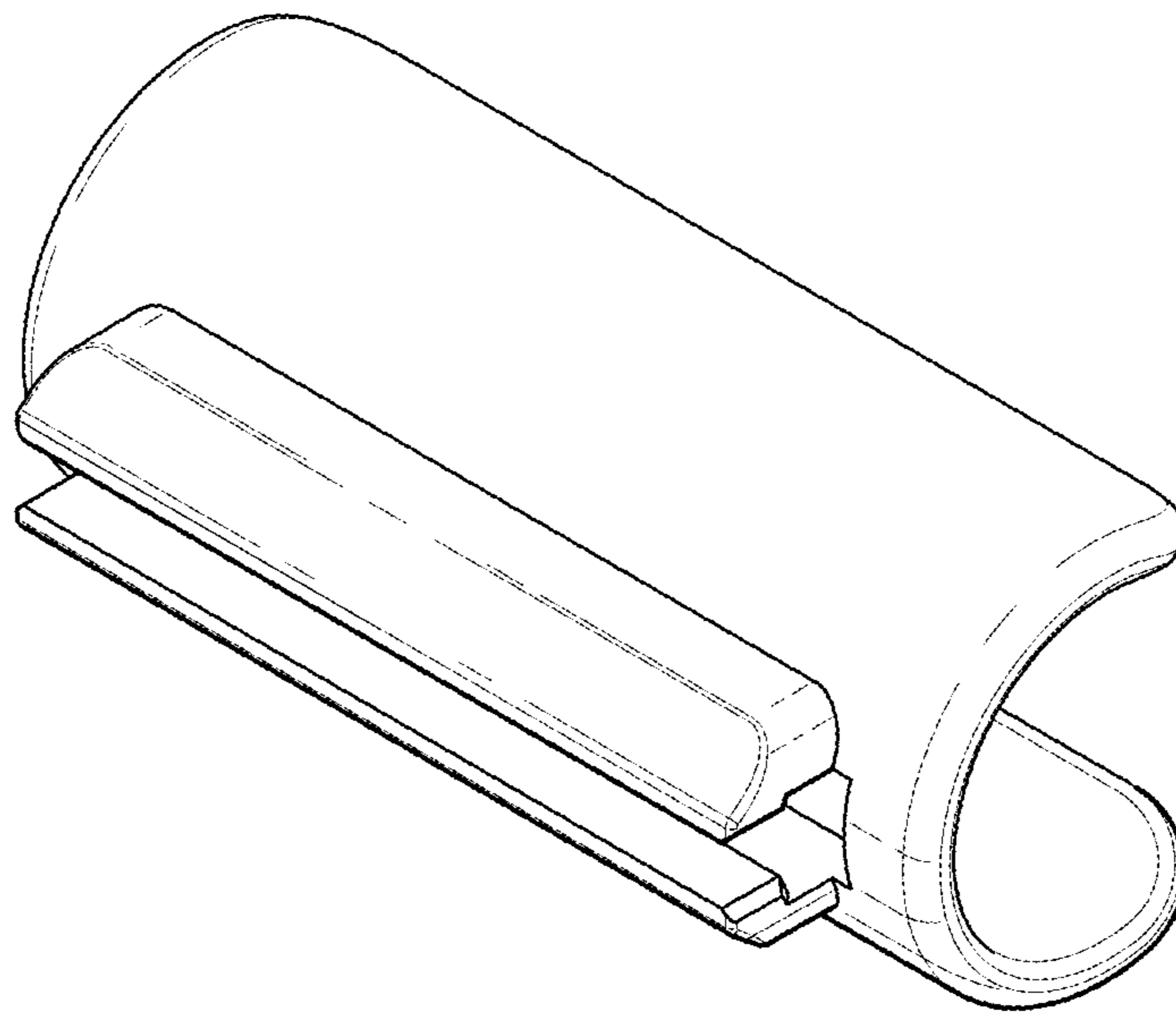


FIG. 1

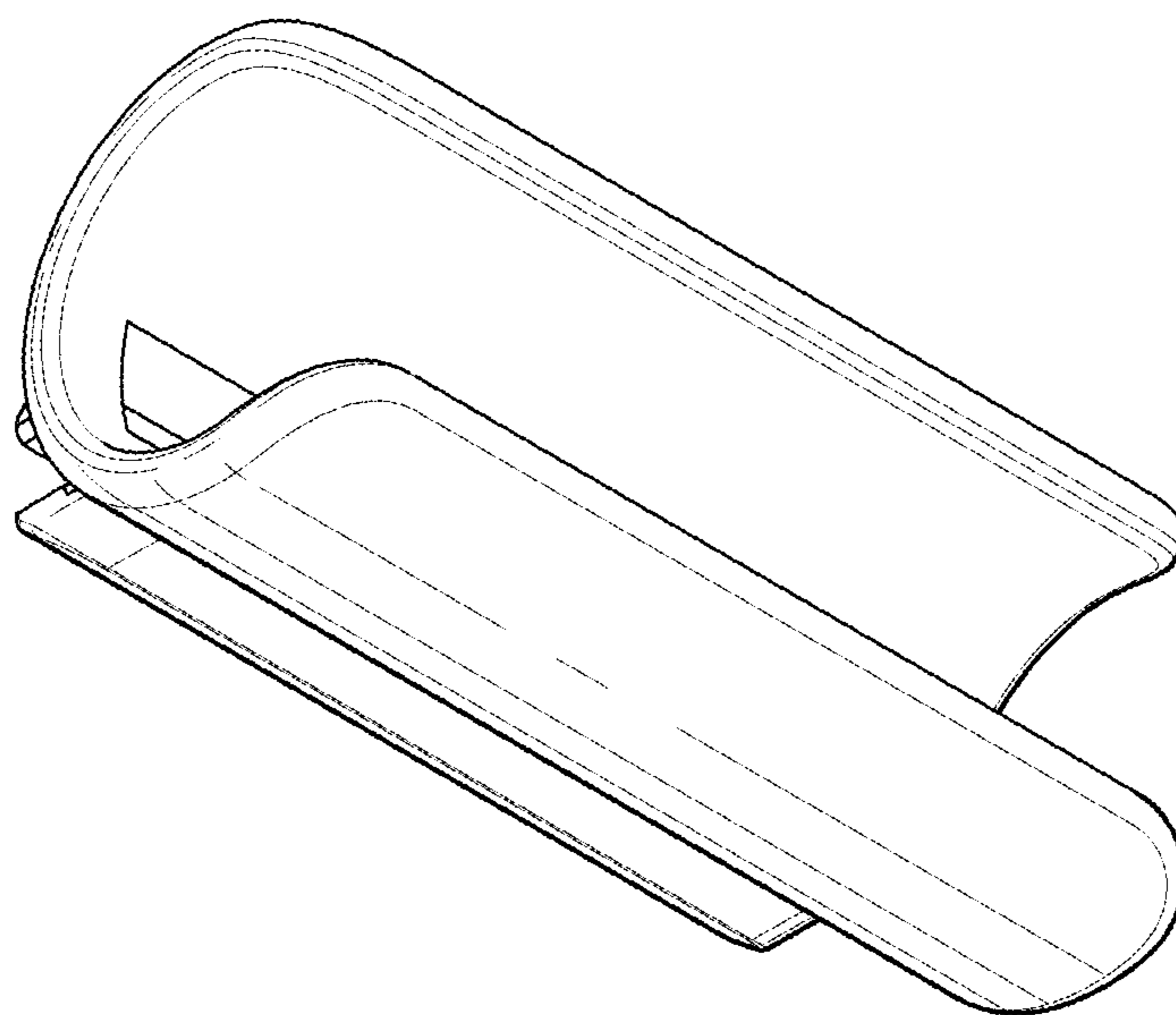


FIG. 2

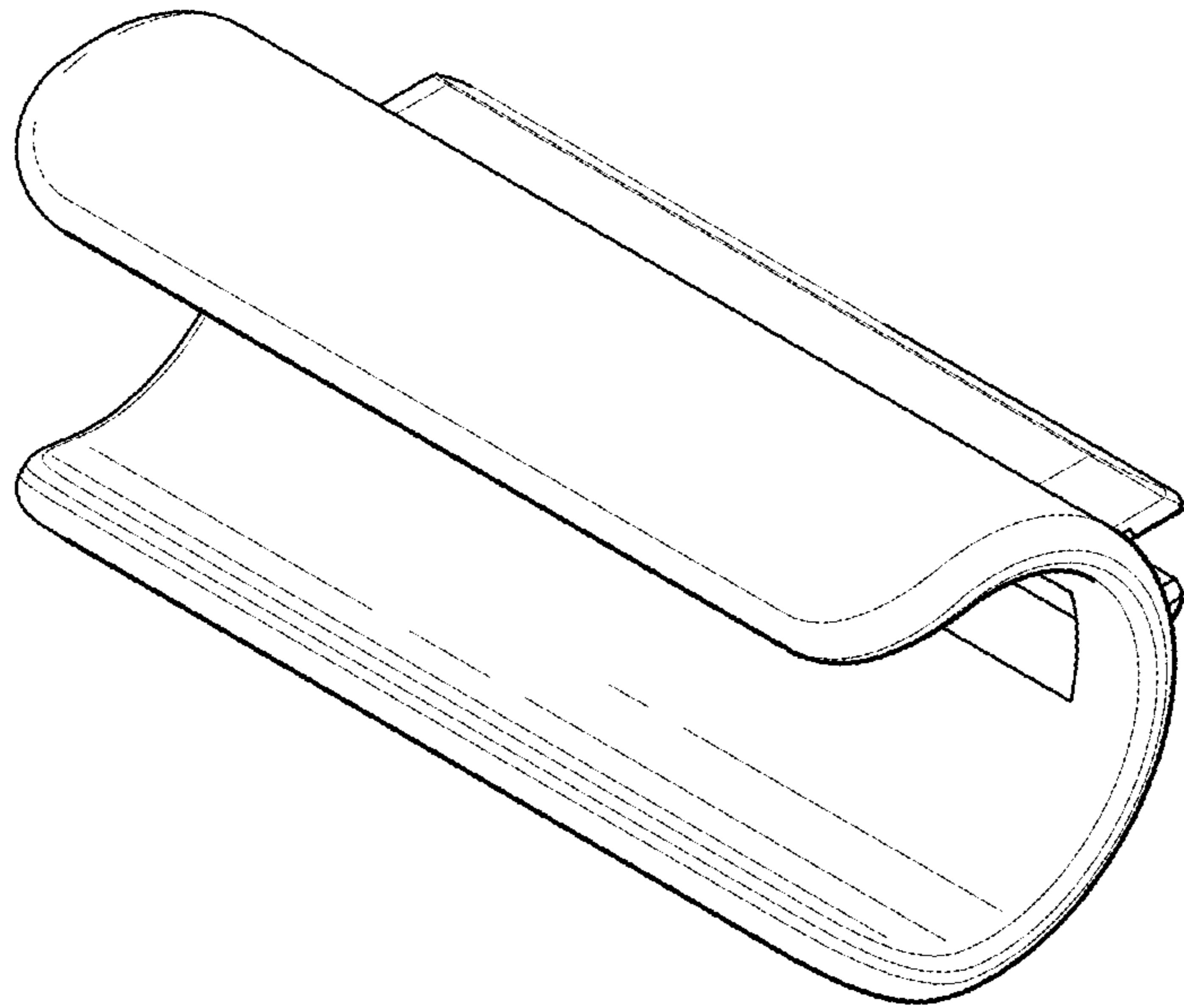


FIG. 3

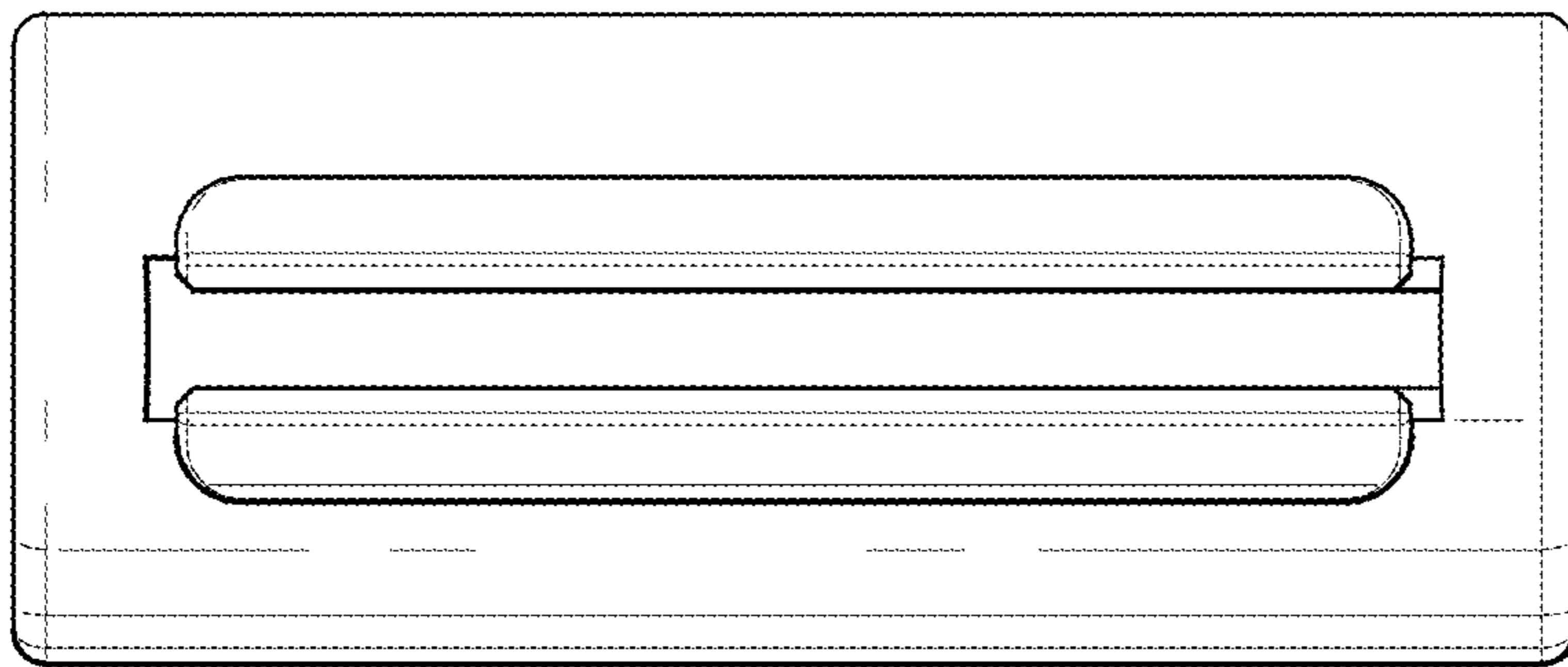


FIG. 4

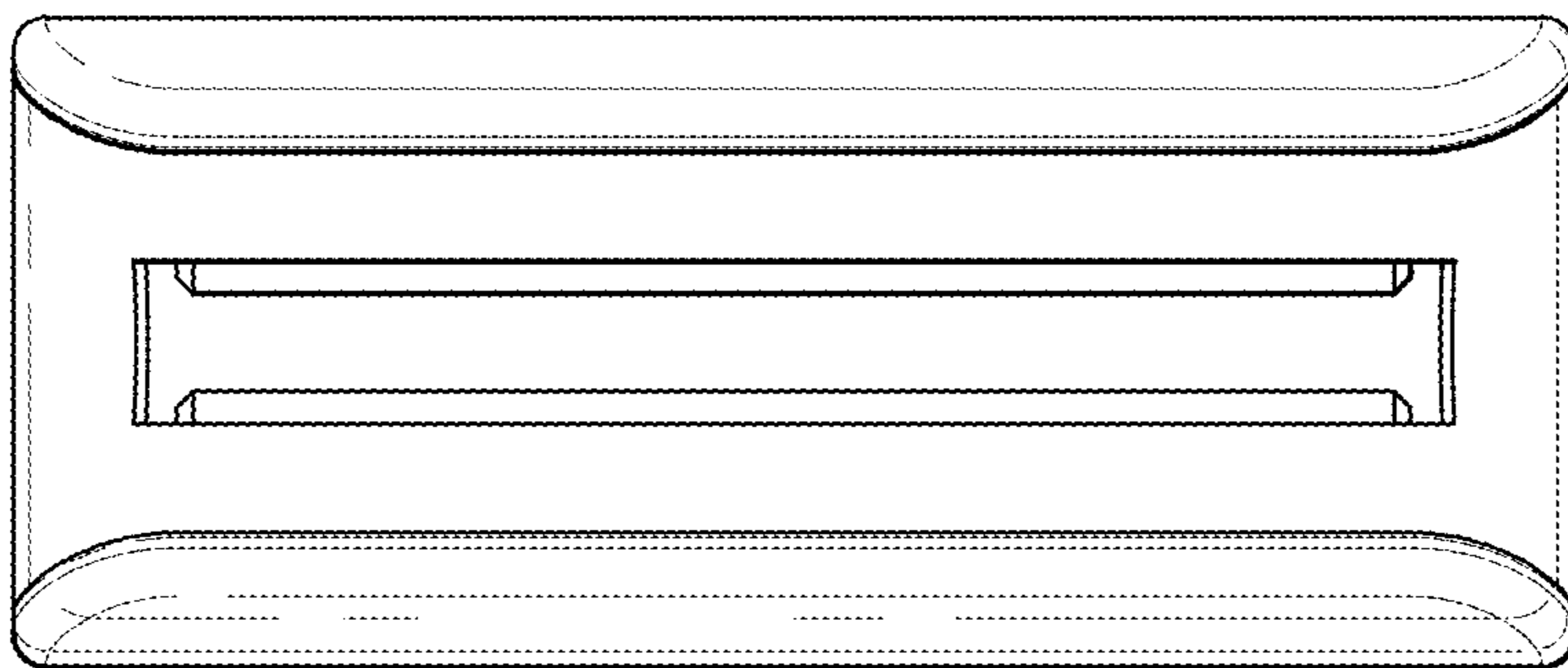


FIG. 5

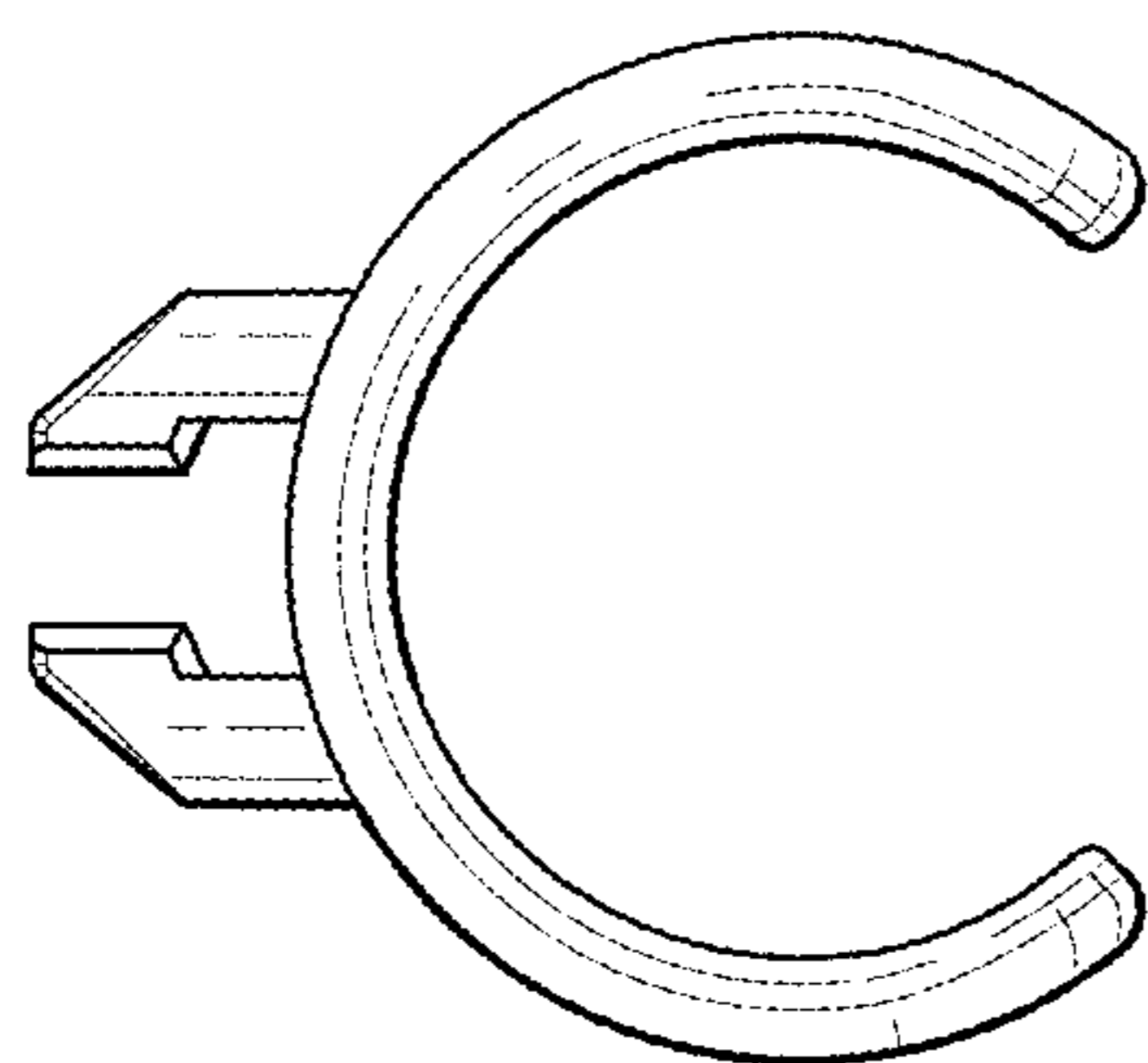


FIG. 6

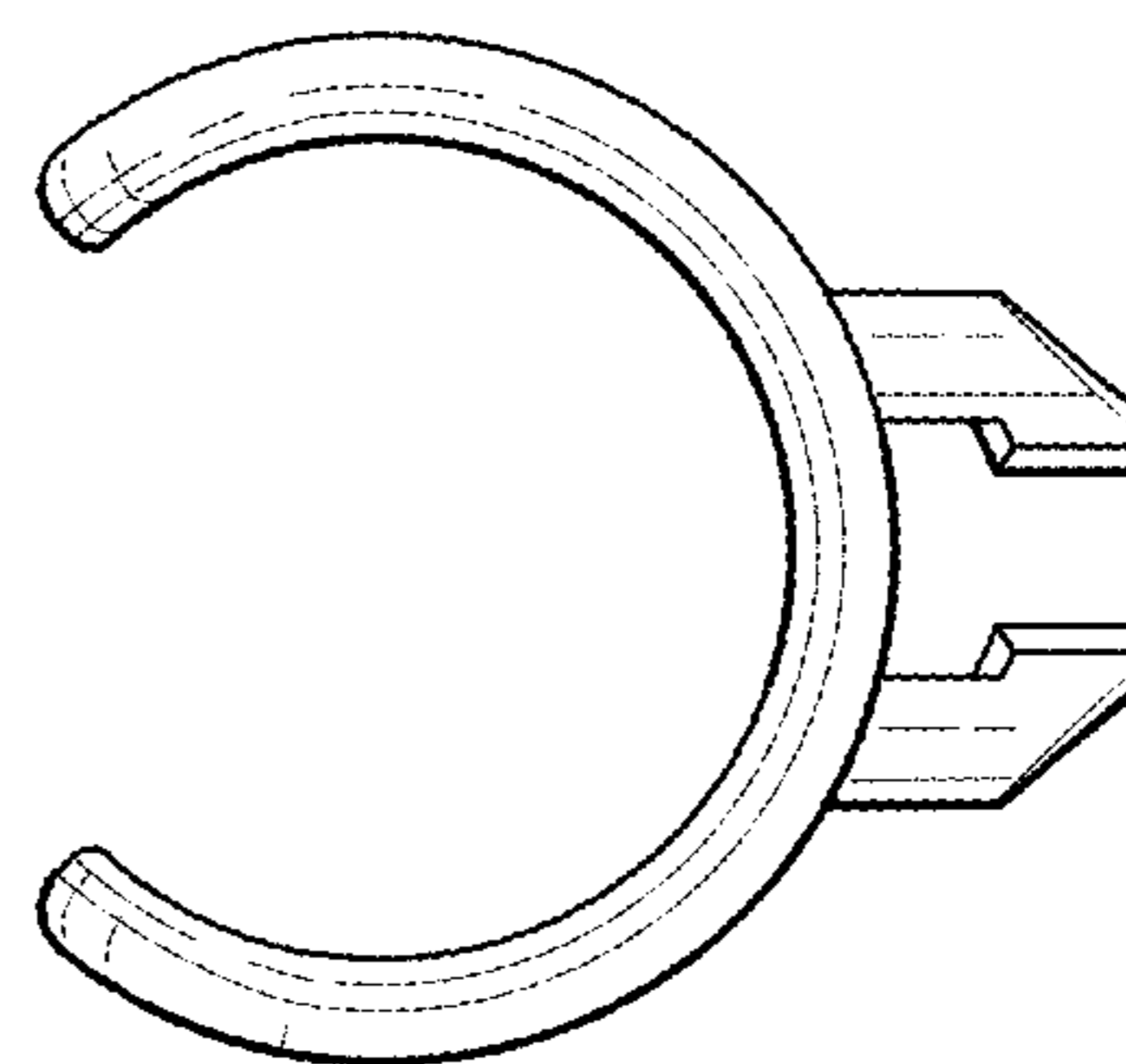


FIG. 7

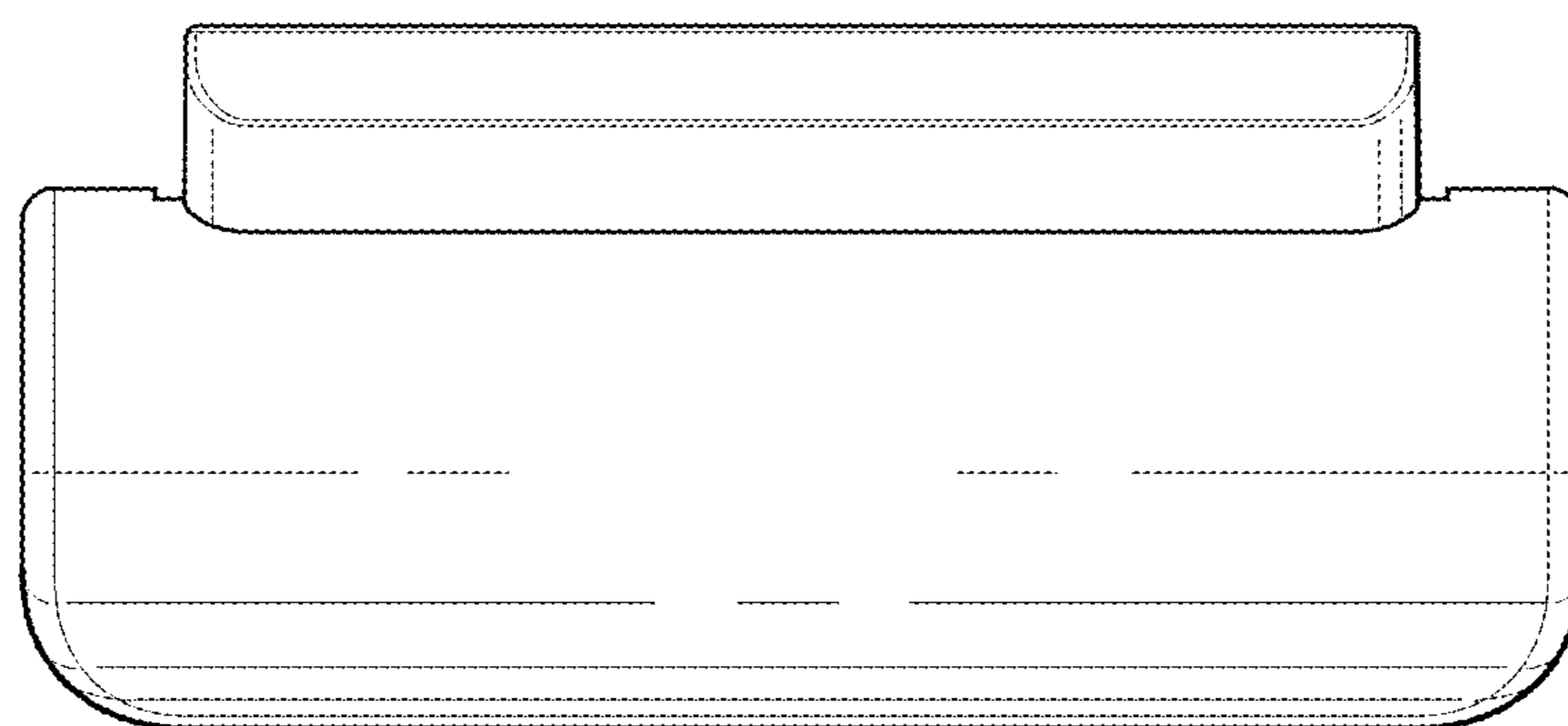


FIG. 8

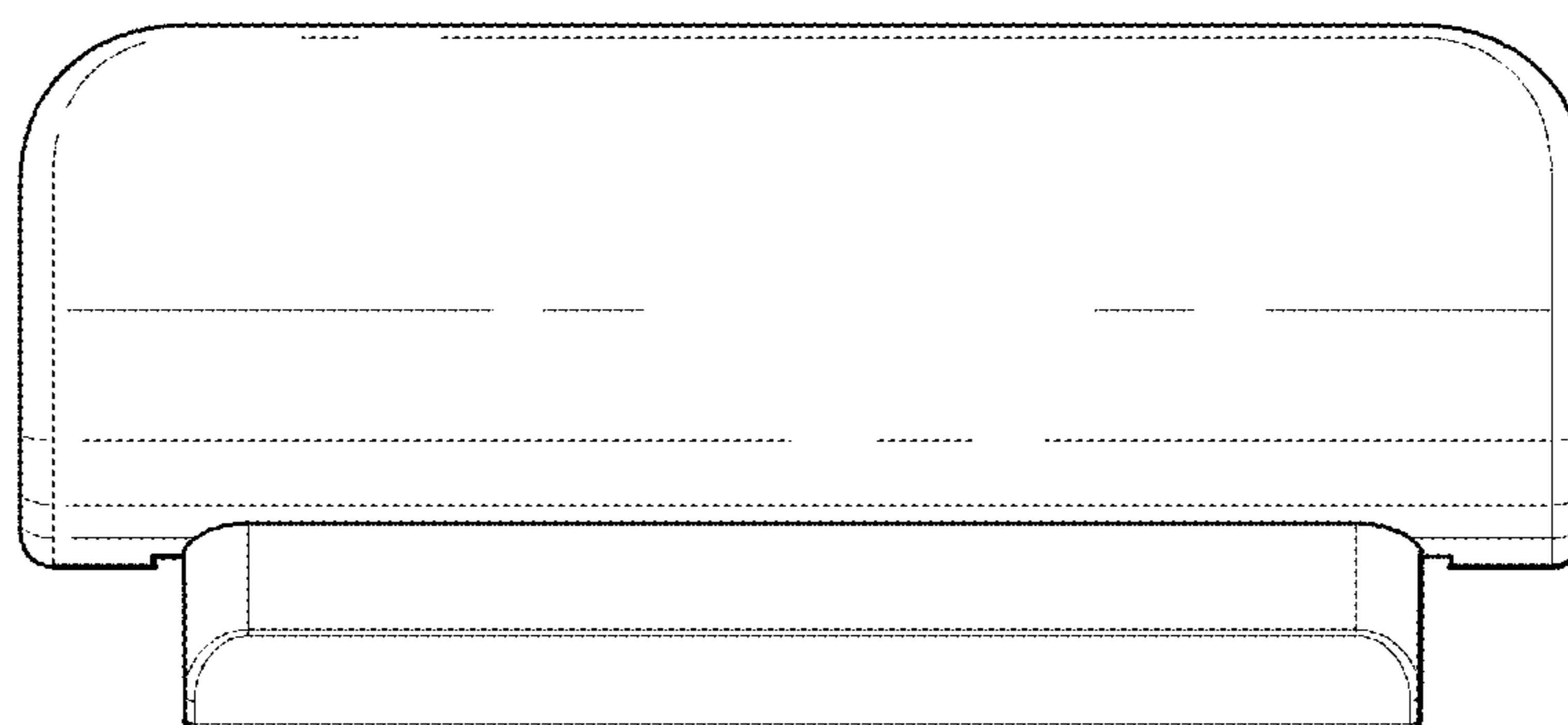


FIG. 9

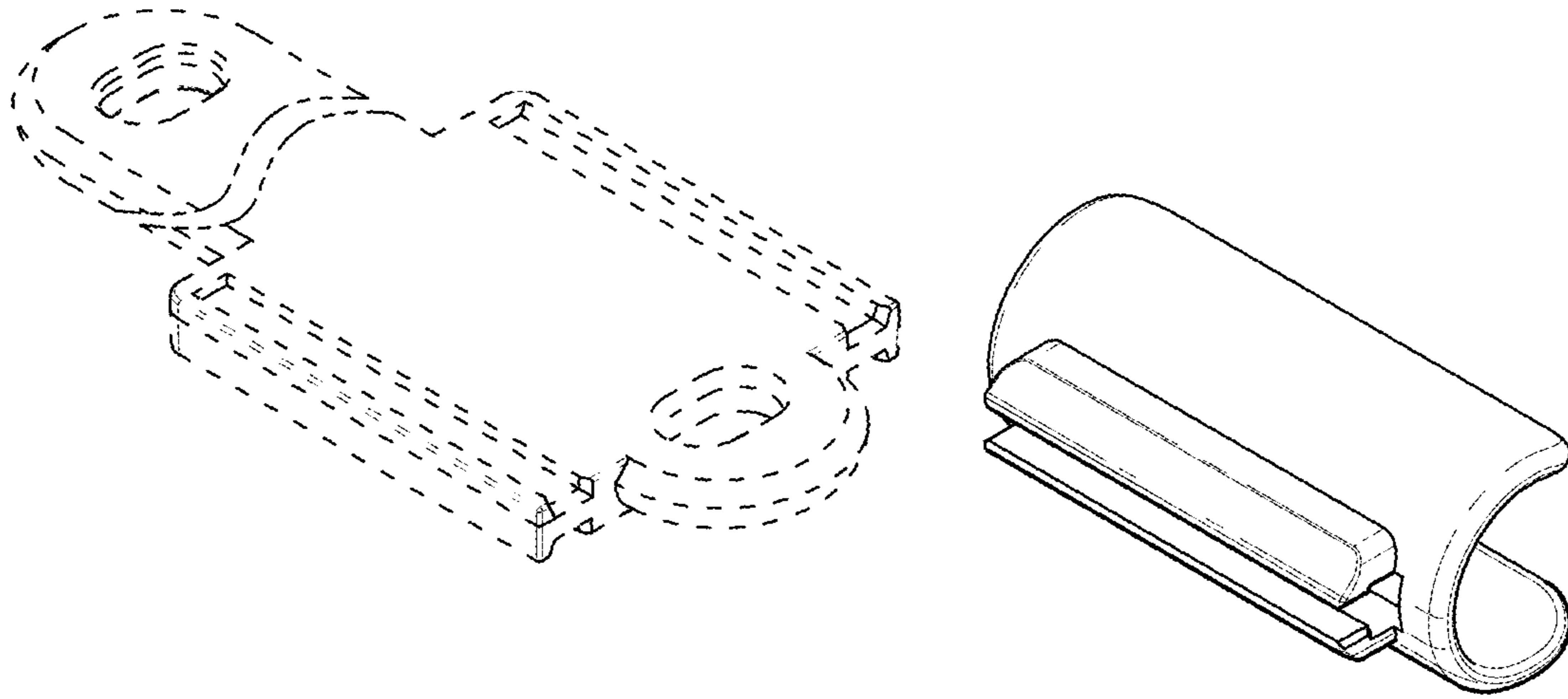


FIG. 10

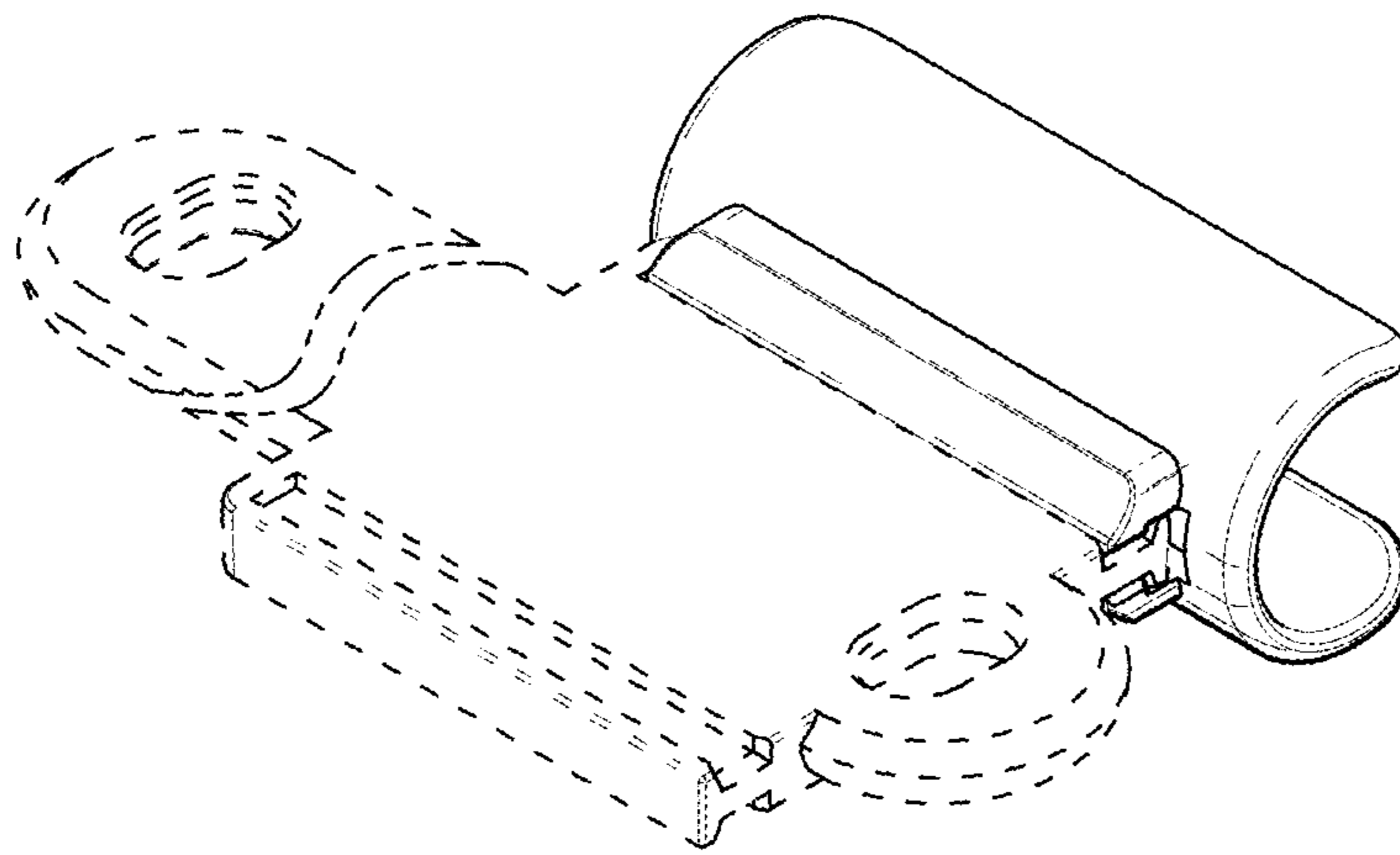


FIG. 11