



US00D886707S

(12) **United States Design Patent**  
**Stoneburner et al.**

(10) **Patent No.:** **US D886,707 S**  
(45) **Date of Patent:** **\*\* Jun. 9, 2020**

(54) **BASE PLATE FOR VEHICLE RACK**

FOREIGN PATENT DOCUMENTS

(71) Applicant: **Yakima Products, Inc.**, Lake Oswego, OR (US)

CN 207345680 \* 5/2018 ..... B60R 5/00

(72) Inventors: **Warren E. Stoneburner**, Portland, OR (US); **David Condon**, Beaverton, OR (US); **Ashley Hoch**, Portland, OR (US); **Jason Attfield Sagen**, Portland, OR (US)

OTHER PUBLICATIONS

Yakima Landing Pads—Set of 2, REI.com, [online], [site visited Sep. 23, 2019]. <URL: <https://www.rei.com/product/692553/yakima-landing-pads-set-of-2?CAWELAID=120217890002771864>> (Year: 2019).\*

(73) Assignee: **Yakima Products, Inc.**, Lake Oswego, OR (US)

(Continued)

(\*\*) Term: **15 Years**

*Primary Examiner* — T Chase Nelson

*Assistant Examiner* — Jonathan J. Han

(21) Appl. No.: **29/649,464**

(74) *Attorney, Agent, or Firm* — Kolisch Hartwell, P.C.

(22) Filed: **May 30, 2018**

(51) **LOC (12) Cl.** ..... **12-16**

(57) **CLAIM**

(52) **U.S. Cl.**  
USPC ..... **D12/406**

The ornamental design for a base plate for vehicle rack, as shown and described.

(58) **Field of Classification Search**  
USPC ..... D12/406, 412, 413, 414, 414.1; D6/552; D3/304–306; 293/37.1, 3, 100; 224/309, 224/310, 315, 316, 323–329, 400; 280/760–762, 848, 727, 769  
CPC .. B60R 9/058; B60R 9/00; B60R 9/02; B60R 9/04; B60R 9/08; B60R 9/042; B60R 9/0423; B60R 9/0426; B60R 9/045; B60R 9/048; B60R 9/0485; B60R 9/05; B60R 9/052; B60R 9/055; B60R 9/06; B60R 9/10; B60R 9/12

**DESCRIPTION**

See application file for complete search history.

FIG. 1 is a rear, top, and left side perspective view of a base plate for vehicle rack showing the new design; FIG. 2 is a front, bottom, and right side perspective view thereof; FIG. 3 is a top plan view thereof; FIG. 4 is a bottom plan view thereof; FIG. 5 is a rear elevation view thereof; FIG. 6 is a front elevation view thereof; FIG. 7 is a right side elevation view thereof; FIG. 8 is a left side elevation view thereof; FIG. 9 is a rear, top, and left side perspective view thereof installed in an environment; and, FIG. 10 is a front, top, and right side perspective view thereof. The dashed lines and structure they depict form no part of the claimed design.

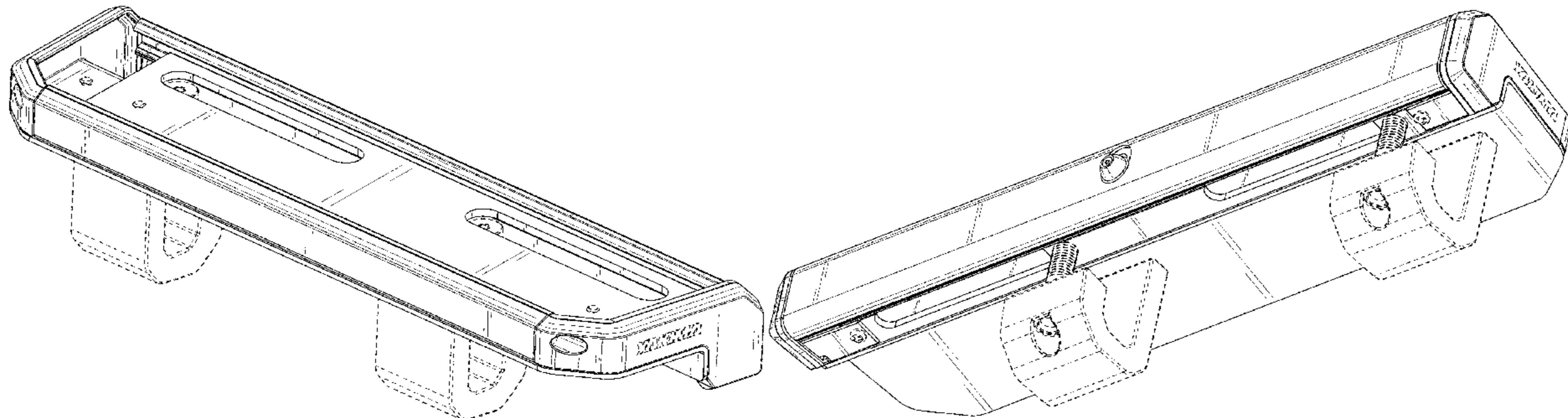
(56) **References Cited**

U.S. PATENT DOCUMENTS

D267,844 S *	2/1983	Cohen	.....	D6/574
D309,560 S *	7/1990	Warlick	.....	D8/355
D423,328 S *	4/2000	Burrows	.....	D8/354
D443,163 S *	6/2001	Welch	.....	D6/574
6,283,310 B1 *	9/2001	Dean	.....	B60R 9/048 211/17
D458,092 S *	6/2002	Rumpf	.....	D6/574

(Continued)

**1 Claim, 9 Drawing Sheets**



(56)

References Cited

U.S. PATENT DOCUMENTS

D467,218 S \* 12/2002 Peschmann ..... D12/408  
 6,513,849 B2 \* 2/2003 Carter ..... B60P 3/40  
 224/310  
 6,971,563 B2 \* 12/2005 Levi ..... B60P 3/40  
 224/403  
 D546,755 S \* 7/2007 Ezra ..... D12/408  
 D561,680 S \* 2/2008 Foley ..... D12/408  
 D562,217 S \* 2/2008 Davis ..... D12/408  
 D633,427 S \* 3/2011 Marr, Jr. .... B60R 9/00  
 D12/223  
 D635,909 S \* 4/2011 Moore ..... D12/406  
 D638,345 S \* 5/2011 Kanczuzewski ..... D12/406  
 8,210,407 B2 \* 7/2012 Sautter ..... B60R 9/048  
 224/315  
 D684,105 S \* 6/2013 Foster ..... D12/412  
 D690,533 S \* 10/2013 Majcher ..... D6/574  
 D692,368 S \* 10/2013 Foster ..... D12/412  
 D717,722 S \* 11/2014 Cagampang ..... D12/414  
 D719,500 S \* 12/2014 Foster ..... D12/412  
 D719,501 S \* 12/2014 Foster ..... D12/412  
 D719,902 S \* 12/2014 Sautter ..... D12/412  
 D727,586 S \* 4/2015 Garceau ..... D34/31  
 9,126,539 B2 \* 9/2015 Sautter ..... B60R 9/045  
 D770,962 S \* 11/2016 Badillo ..... D12/223

D816,372 S \* 5/2018 Berkowitz ..... D6/567  
 D827,332 S \* 9/2018 Berkowitz ..... D6/568  
 D845,869 S \* 4/2019 Wymore ..... D12/222  
 D852,538 S \* 7/2019 Lawrence ..... D6/552  
 D856,900 S \* 8/2019 Baumann ..... D12/406  
 2001/0040139 A1 \* 11/2001 Dean ..... B60R 9/048  
 211/17  
 2014/0144958 A1 \* 5/2014 Sautter ..... B60R 9/045  
 224/314

OTHER PUBLICATIONS

Rotopax Rack Mounting Plate—By Front Runner, FrontRunnerOutfitters.com, [online], [site visited Sep. 23, 2019]. <URL: <https://www.frontrunneroutfitters.com/en/us/rack-accessories/rotopax-rack-mounting-plate.html>> (Year: 2019).\*

SW-Motech Street-Rack Adapter Plate Kits, CycleGear.com, [online], [site visited Sep. 23, 2019]. <URL: <https://www.cyclegear.com/accessories/sw-motech-street-rack-adapter-plate-kits>> (Year: 2019).\*

Adjustable Steel Motor Base, For NEMA Frame 145, 10-1/2 Length (In.), 8-1/2 Width (In.), Grainger.com, [online], [site visited Sep. 23, 2019]. <URL: [https://www.grainger.com/product/DAYTON-Adjustable-Steel-Motor-Base-3M278?cm\\_sp=Product\\_Details--Products\\_Based\\_on\\_Your\\_Search--IDPPLARECS&cm\\_vc](https://www.grainger.com/product/DAYTON-Adjustable-Steel-Motor-Base-3M278?cm_sp=Product_Details--Products_Based_on_Your_Search--IDPPLARECS&cm_vc)> (Year: 2019).\*

\* cited by examiner

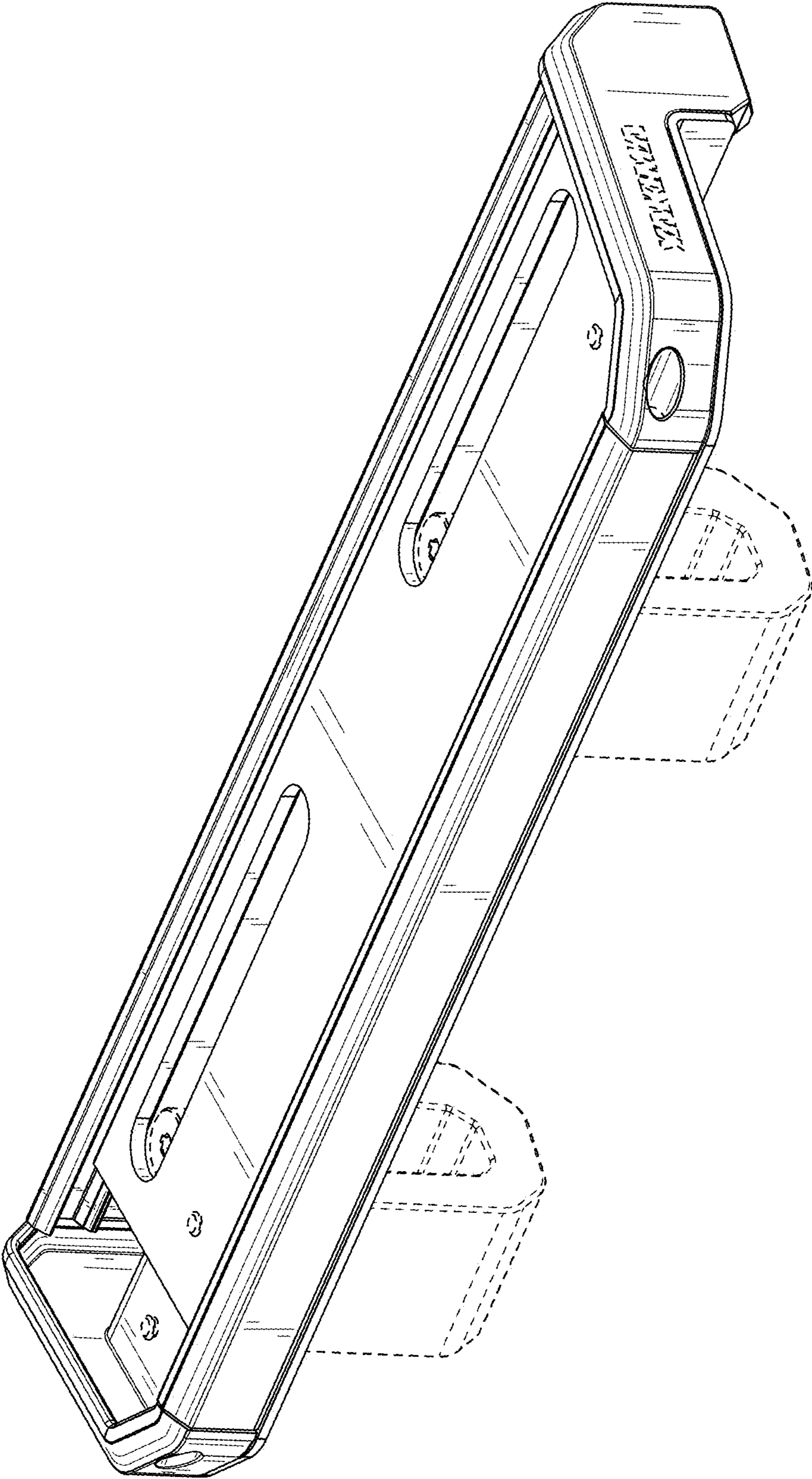


FIG. 1

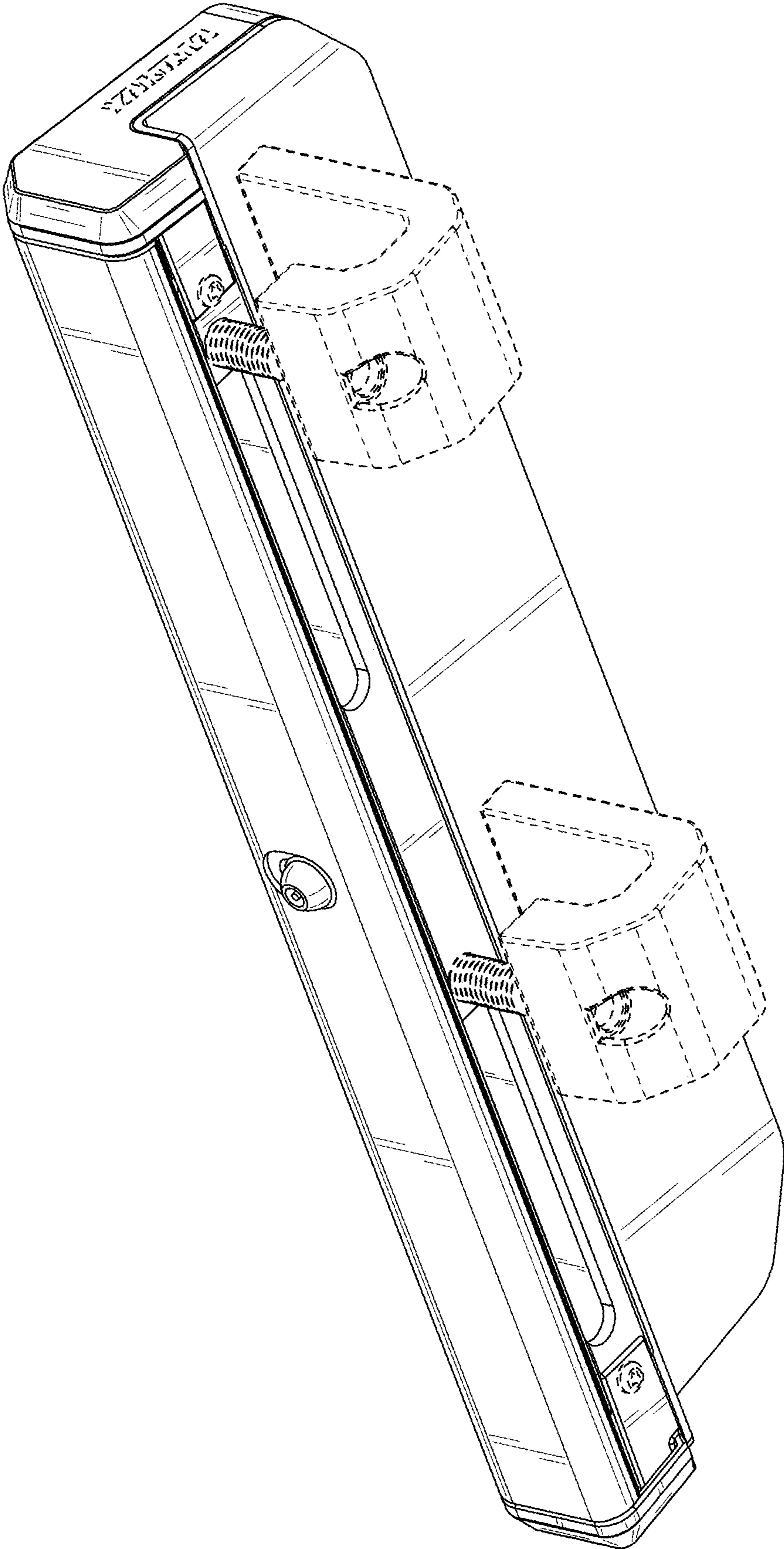


FIG. 2

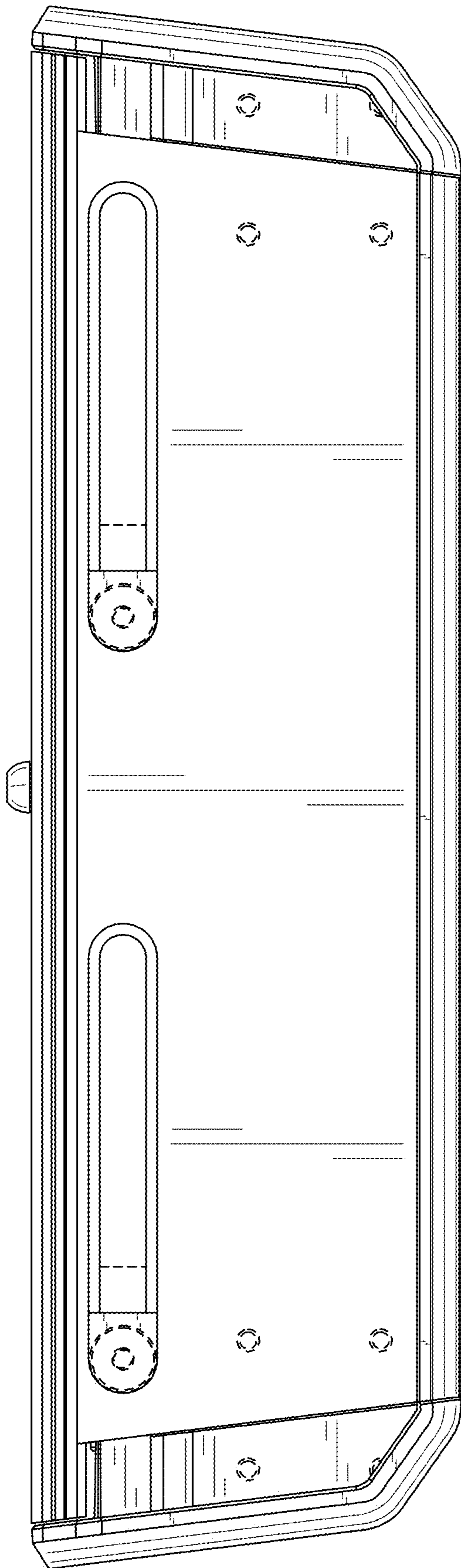


FIG. 3

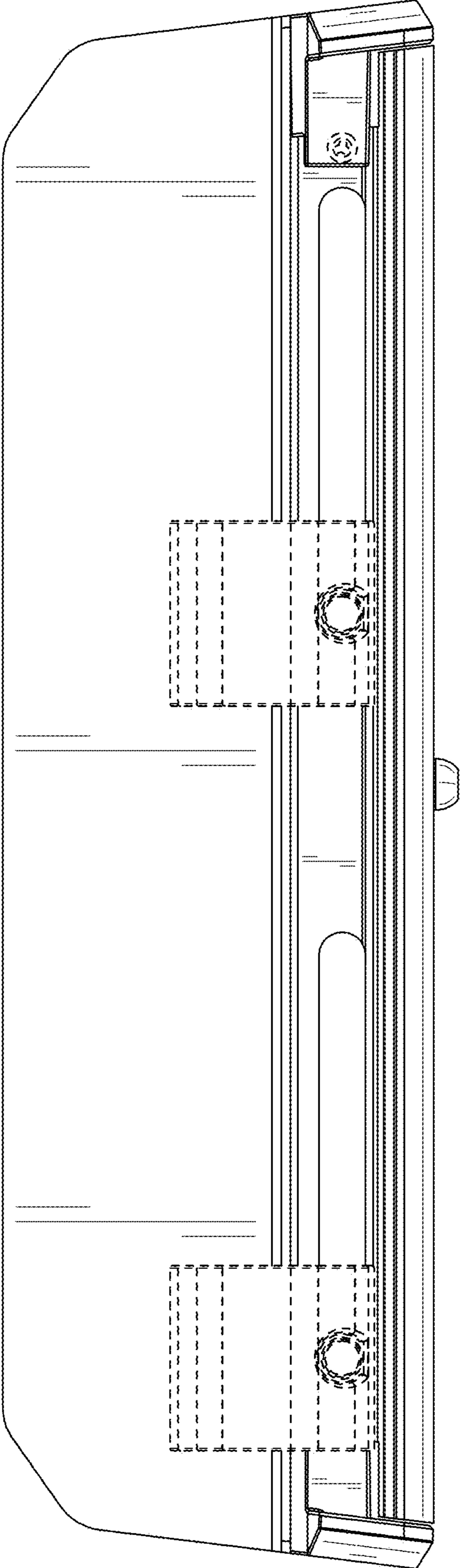


FIG. 4

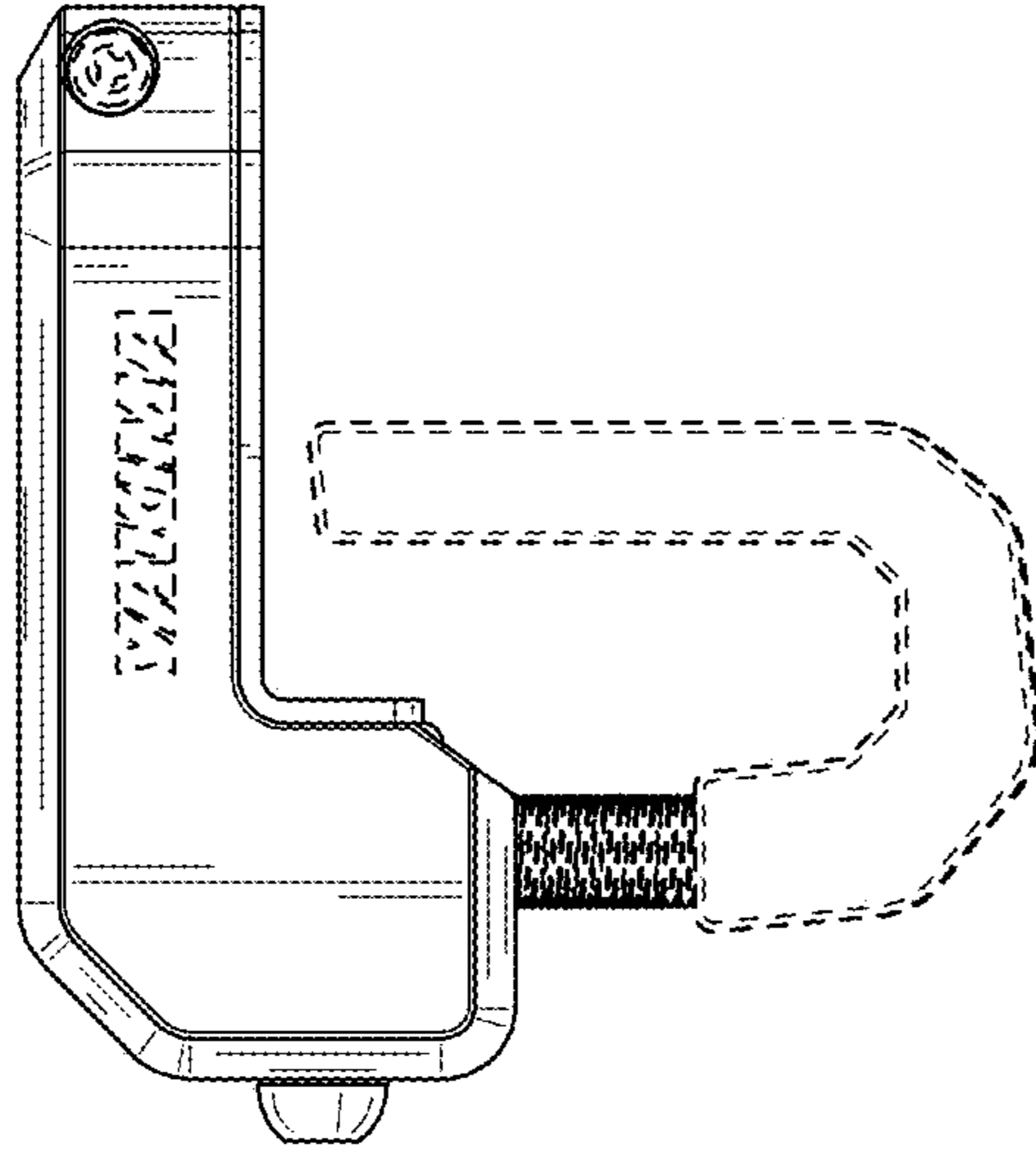


FIG. 5

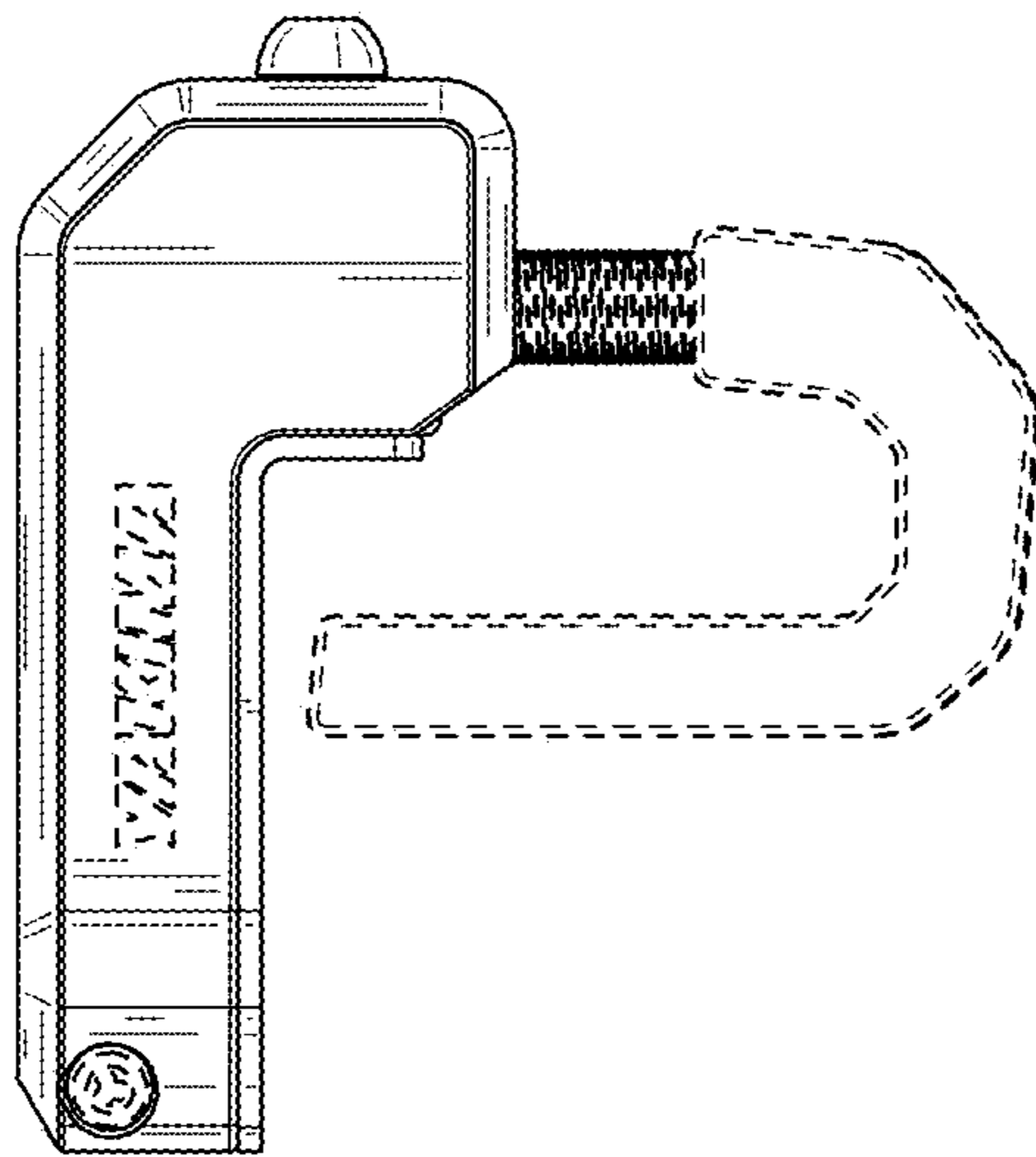


FIG. 6

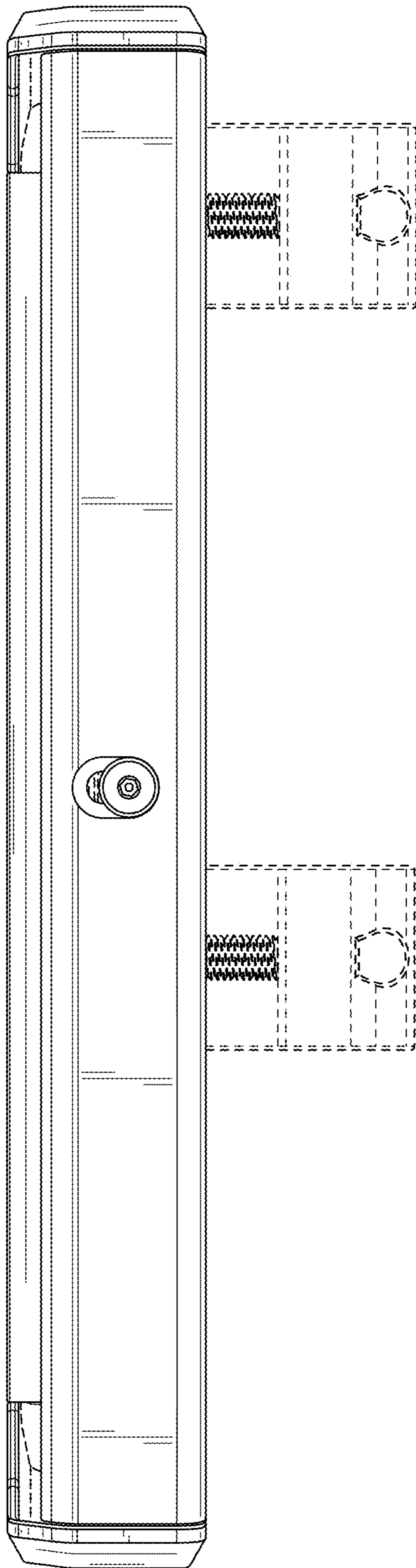


FIG. 7



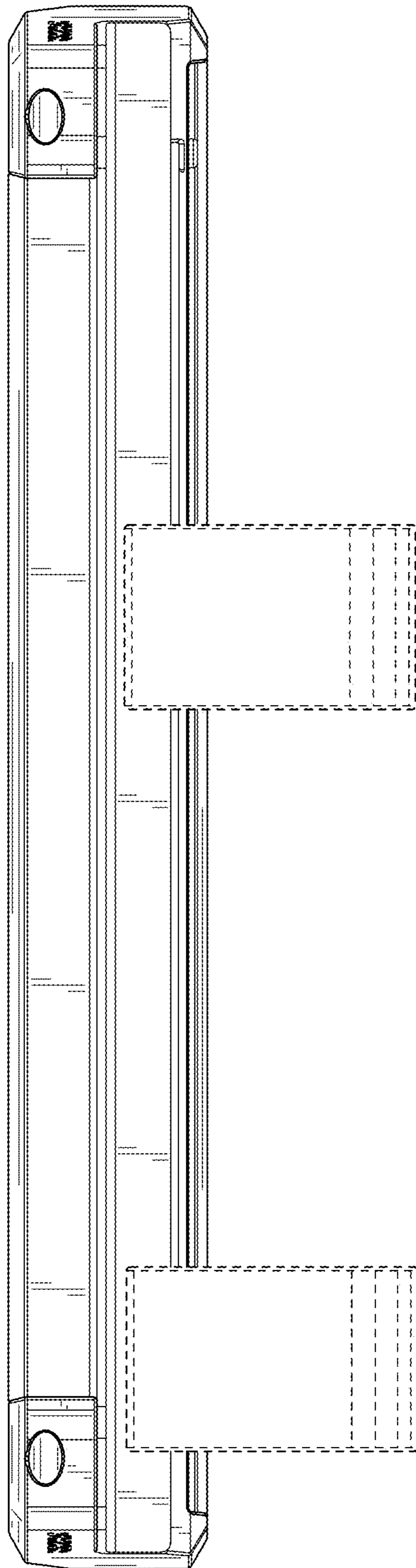


FIG. 8

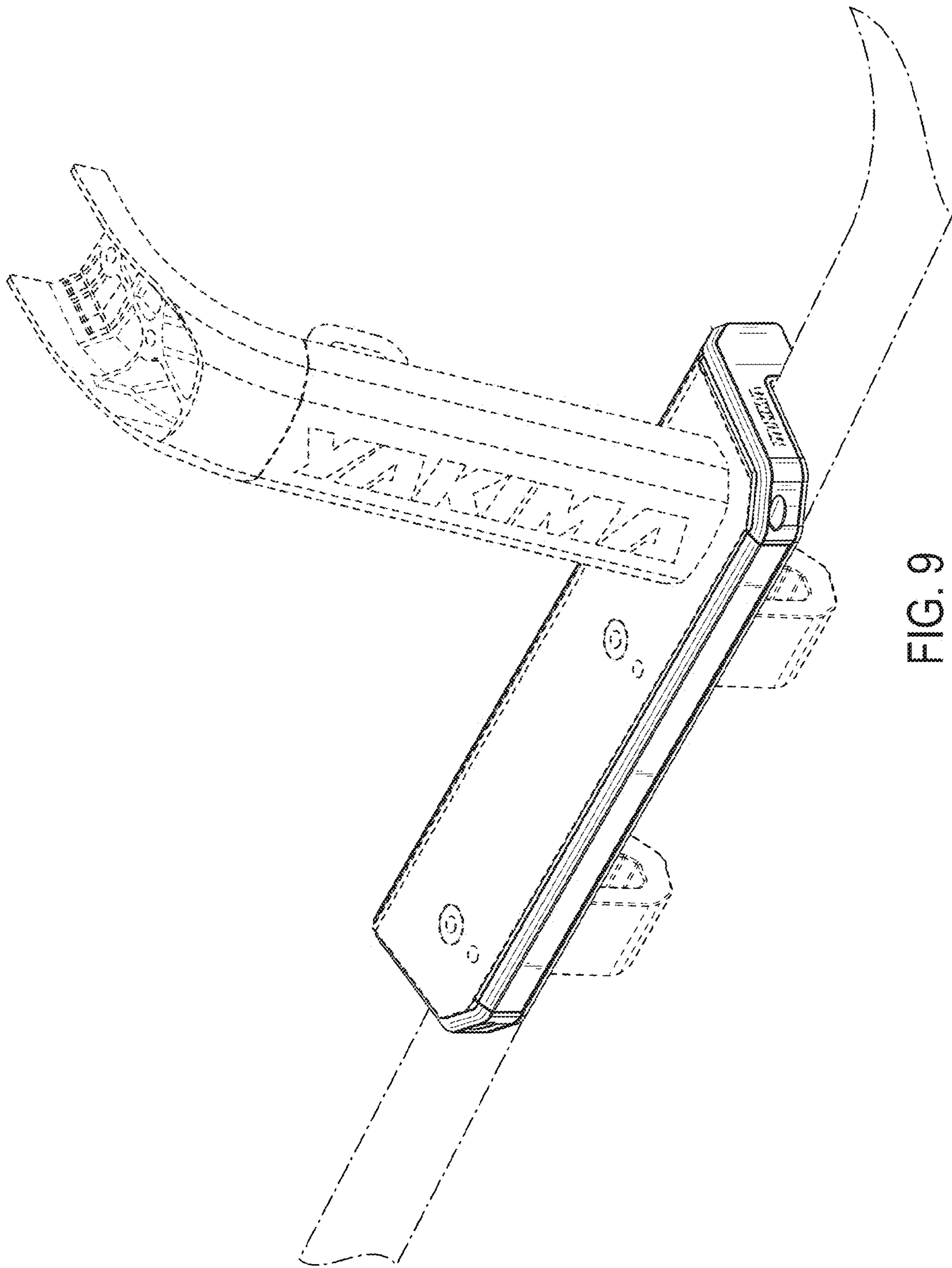


FIG. 9

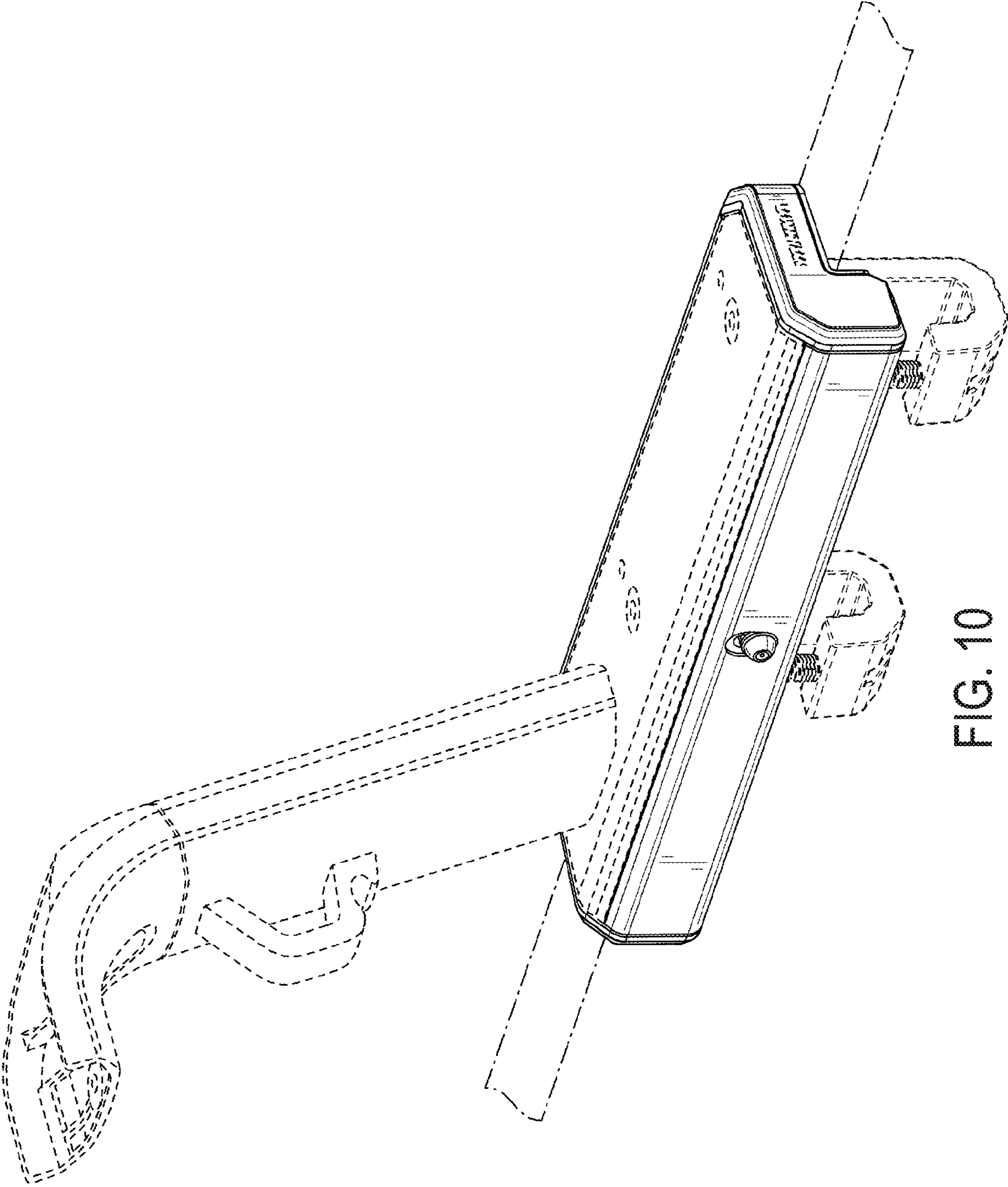


FIG. 10