



US00D886705S

(12) **United States Design Patent**
Williams

(10) **Patent No.:** **US D886,705 S**
(45) **Date of Patent:** **** Jun. 9, 2020**

- (54) **WHEEL FRONT FACE**
- (71) Applicant: **David A Williams**, Chino Hills, CA (US)
- (72) Inventor: **David A Williams**, Chino Hills, CA (US)
- (73) Assignee: **WHEEL GROUP HOLDINGS, LLC**, Ontario (CA)
- (**) Term: **15 Years**
- (21) Appl. No.: **29/679,399**
- (22) Filed: **Feb. 5, 2019**
- (51) **LOC (12) Cl.** **12-16**
- (52) **U.S. Cl.**
USPC **D12/209**
- (58) **Field of Classification Search**
USPC D12/204–213; D21/563
CPC B60B 7/00; B60B 7/02; B60B 7/04; B60B 7/01; B60B 7/06; B60B 3/02; B60B 3/04; B60B 3/06; B60B 3/10; B60B 1/00; B60B 1/08; B60B 1/10; B60B 1/12
See application file for complete search history.

- (56) **References Cited**
U.S. PATENT DOCUMENTS
D407,365 S * 3/1999 Nogal D12/209
D547,251 S * 7/2007 Baum D12/209
D652,362 S * 1/2012 Lucaora D12/209
D683,292 S * 5/2013 Woolley D12/209

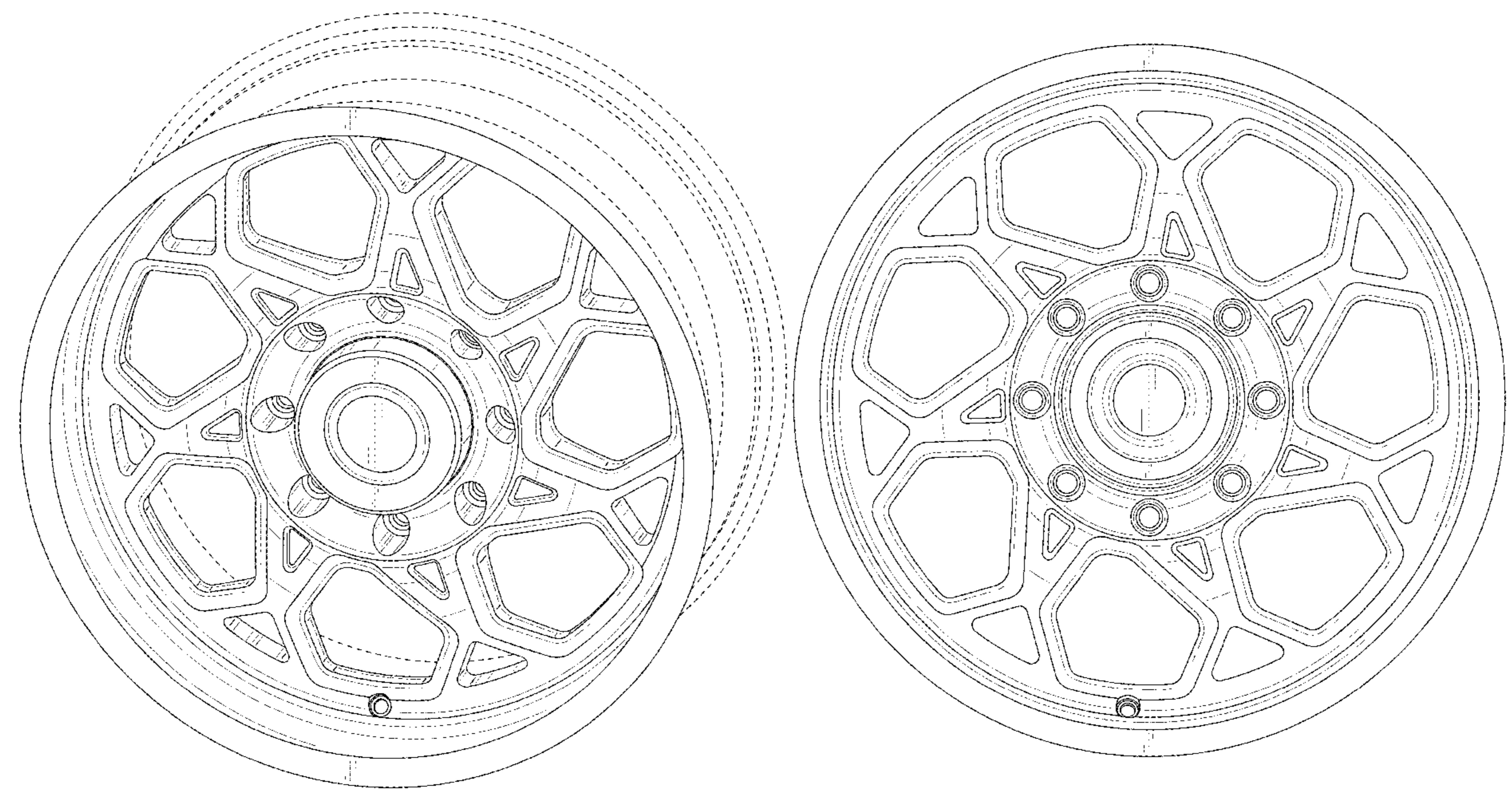
D686,961 S *	7/2013	Chung	D12/209
D688,186 S *	8/2013	McMath	D12/209
D695,666 S *	12/2013	Chung	D12/209
D700,566 S *	3/2014	Ichikawa	D12/209
D718,203 S *	11/2014	Whyte	D12/209
D726,621 S *	4/2015	Alfonso	D12/209
D747,251 S *	1/2016	Hammoud	D12/209
D759,561 S *	6/2016	Hale, Jr.	D12/209
D787,405 S *	5/2017	Nakamura	D12/209
D787,412 S *	5/2017	Alfonso	D12/211
D823,774 S *	7/2018	Groth	D12/209
D832,763 S *	11/2018	Han	D12/209
D842,204 S *	3/2019	Khachatryan	D12/209
D848,922 S *	5/2019	Tovey	D12/209
D860,100 S *	9/2019	Groth	D12/209
D865,617 S *	11/2019	Hahn	D12/209
D866,436 S *	11/2019	Interrante	D12/209
D870,631 S *	12/2019	Ash	D12/209
D875,015 S *	2/2020	Shigihara	D12/205

* cited by examiner
Primary Examiner — Stacia A Cadmus

(57) **CLAIM**
The ornamental design for a wheel front face, as shown and described.

DESCRIPTION
FIG. 1 is a perspective view of a wheel front face, showing my new design;
FIG. 2 is a front view thereof; and,
FIG. 3 is a side view thereof.
In the drawings, the broken lines depict environmental subject matter and form no part of the claimed design.

1 Claim, 3 Drawing Sheets



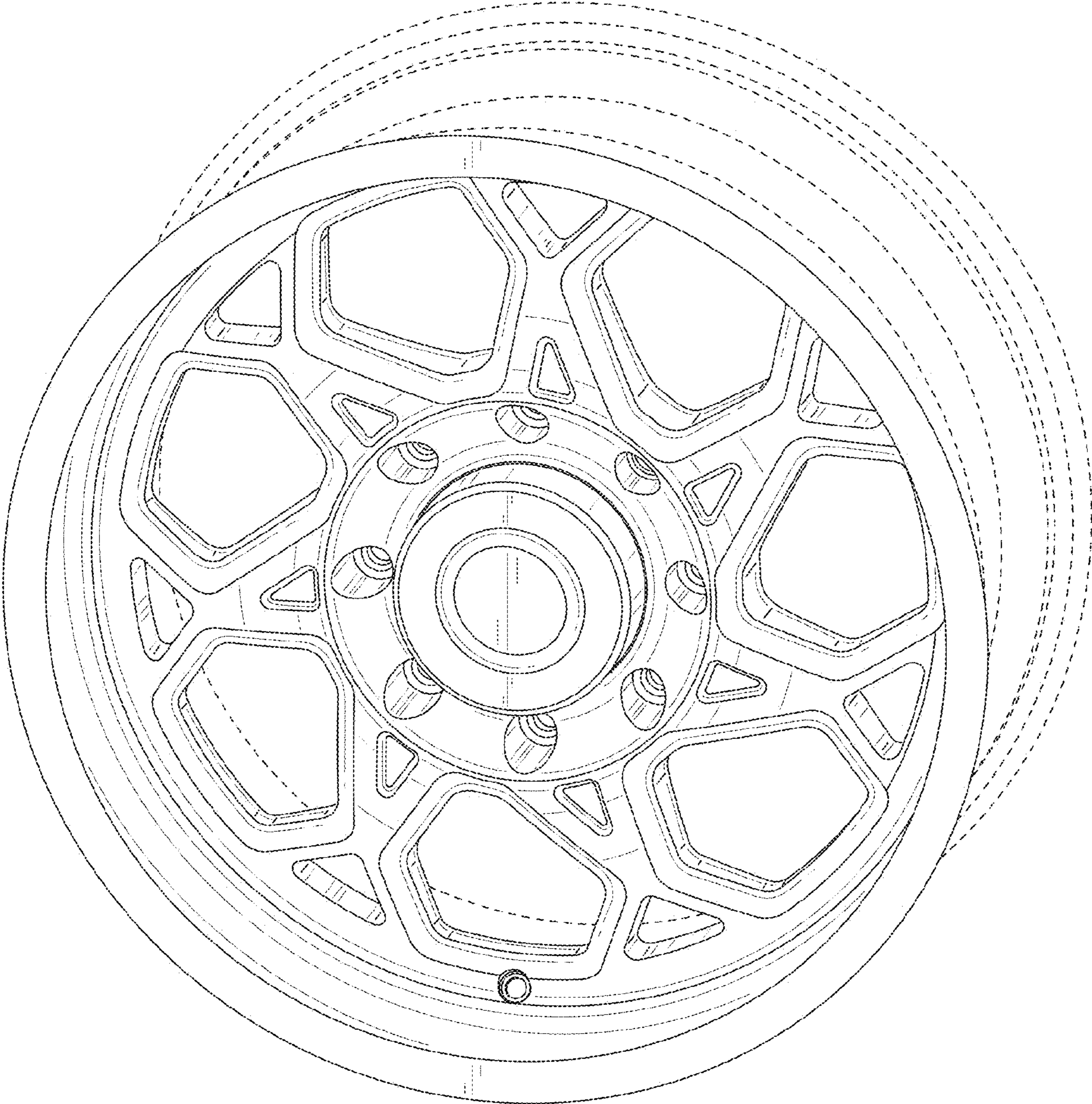


FIG. 1

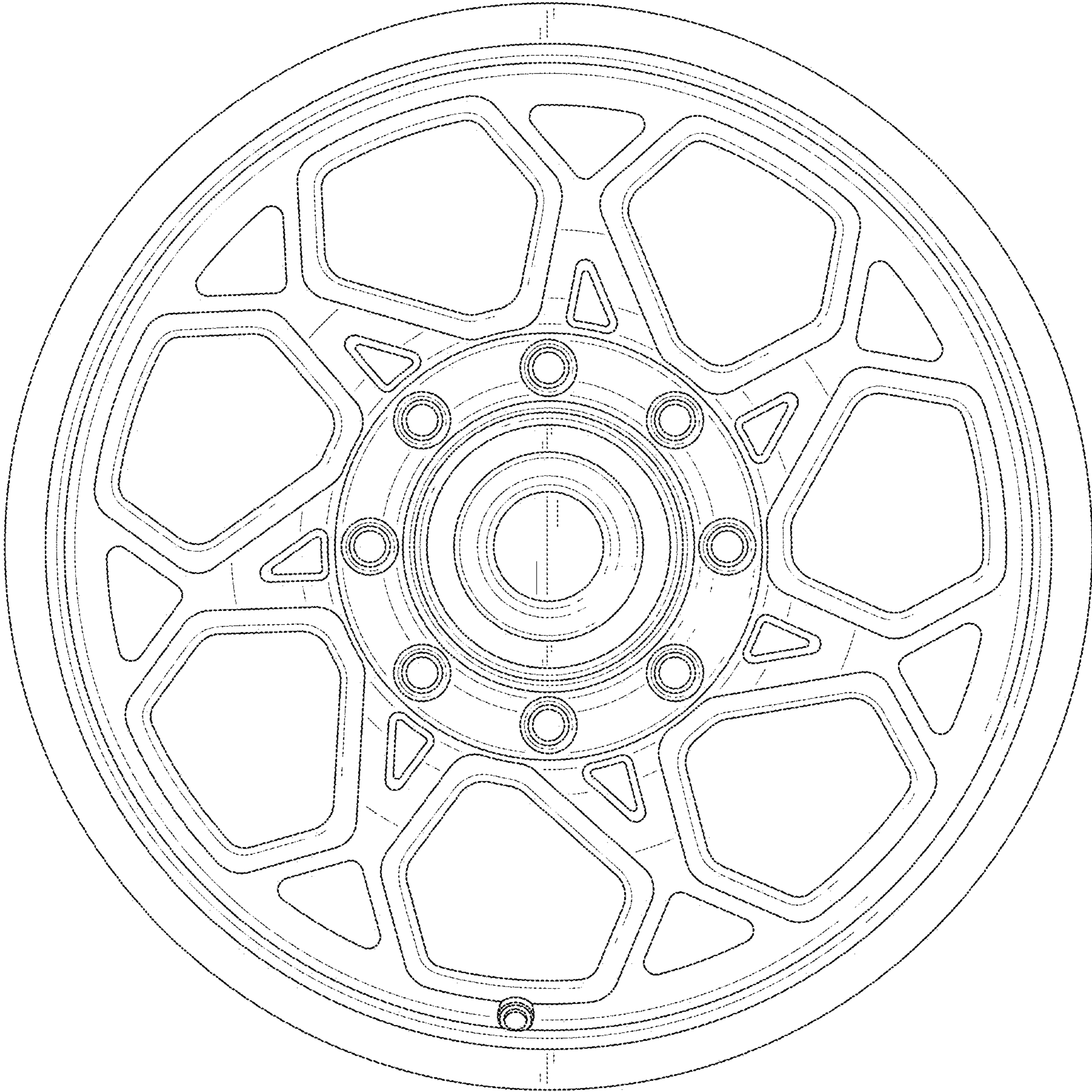


FIG. 2

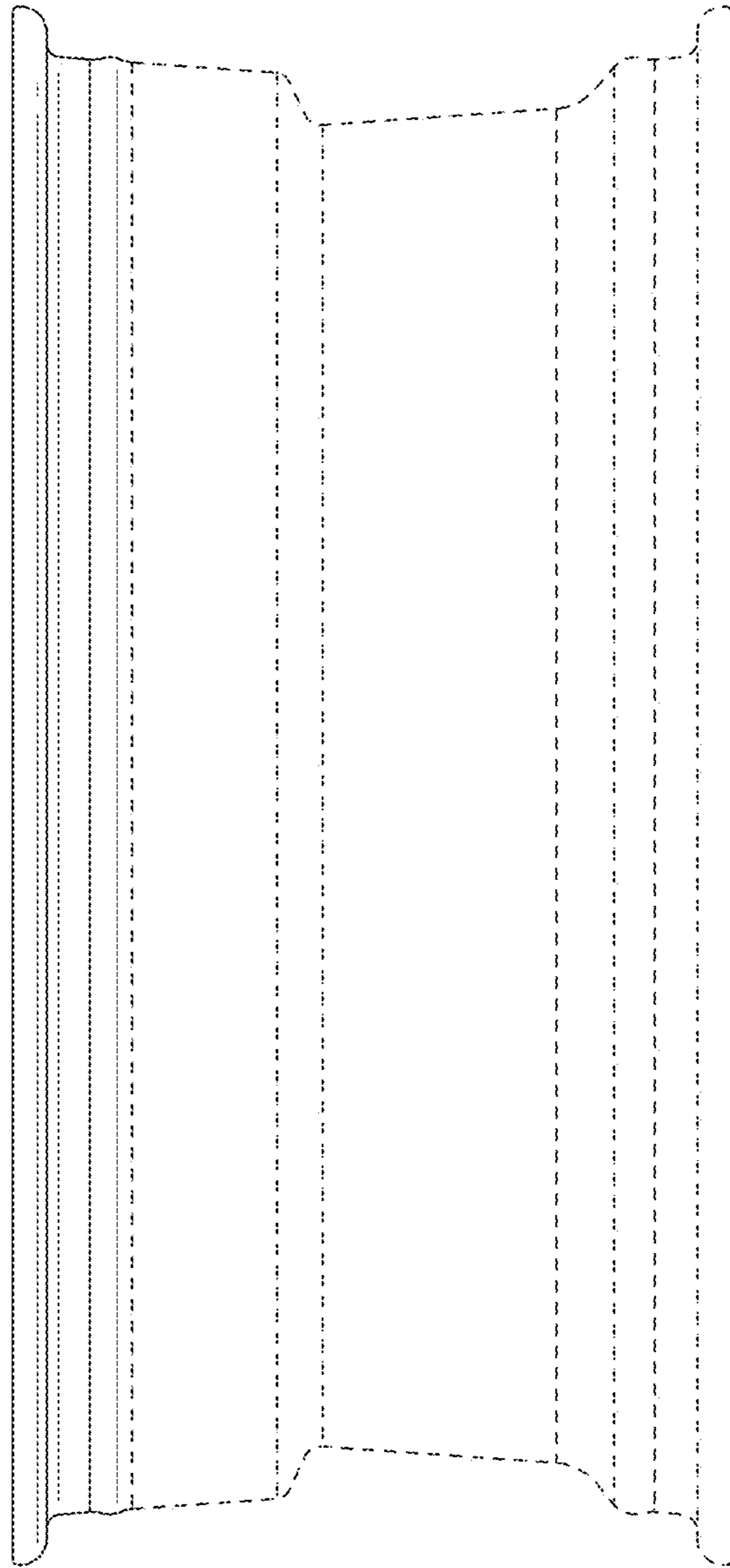


FIG. 3