



US00D886702S

(12) **United States Design Patent**
Guo

(10) **Patent No.:** **US D886,702 S**

(45) **Date of Patent:** **** Jun. 9, 2020**

(54) **SIDE STEP FOR LAND VEHICLES**

(71) Applicant: **Fu Guo**, Vancouver (CA)

(72) Inventor: **Fu Guo**, Vancouver (CA)

(**) Term: **15 Years**

(21) Appl. No.: **29/673,623**

(22) Filed: **Dec. 17, 2018**

(51) **LOC (12) Cl.** **12-16**

(52) **U.S. Cl.**
USPC **D12/203**

(58) **Field of Classification Search**
USPC D12/203, 89, 314, 162, 190
CPC B60R 3/02; B60R 3/002; B60R 3/005;
B60R 3/007; B60R 3/00
See application file for complete search history.

(56) **References Cited**

U.S. PATENT DOCUMENTS

D568,222 S *	5/2008	Storer	D12/203
D658,559 S *	5/2012	Hodges	D12/203
D665,713 S *	8/2012	Pochurek	D12/203
D671,874 S *	12/2012	Kekich, Jr.	D12/203
8,641,068 B1 *	2/2014	Bundy	B60R 3/00 280/163
D720,674 S *	1/2015	Stanesic	D12/203
D737,188 S *	8/2015	Perkins	D12/203
D757,622 S *	5/2016	Wolf	D12/203
D789,858 S *	6/2017	Hare	D12/203

D809,446 S *	2/2018	Montoya	D12/203
D811,976 S *	3/2018	Wu	D12/203
D824,830 S *	8/2018	Wolf	D12/203
D829,626 S *	10/2018	Tang	D12/203
10,322,676 B2 *	6/2019	Yang	B60R 3/002
2008/0116652 A1 *	5/2008	Storer	B60R 3/00 280/164.1
2011/0181012 A1 *	7/2011	Storer	B60R 3/002 280/169
2016/0059774 A1 *	3/2016	Crandall	B60Q 1/323 280/164.1

* cited by examiner

Primary Examiner — Michelle E. Wilson

Assistant Examiner — Clese Moore, Jr.

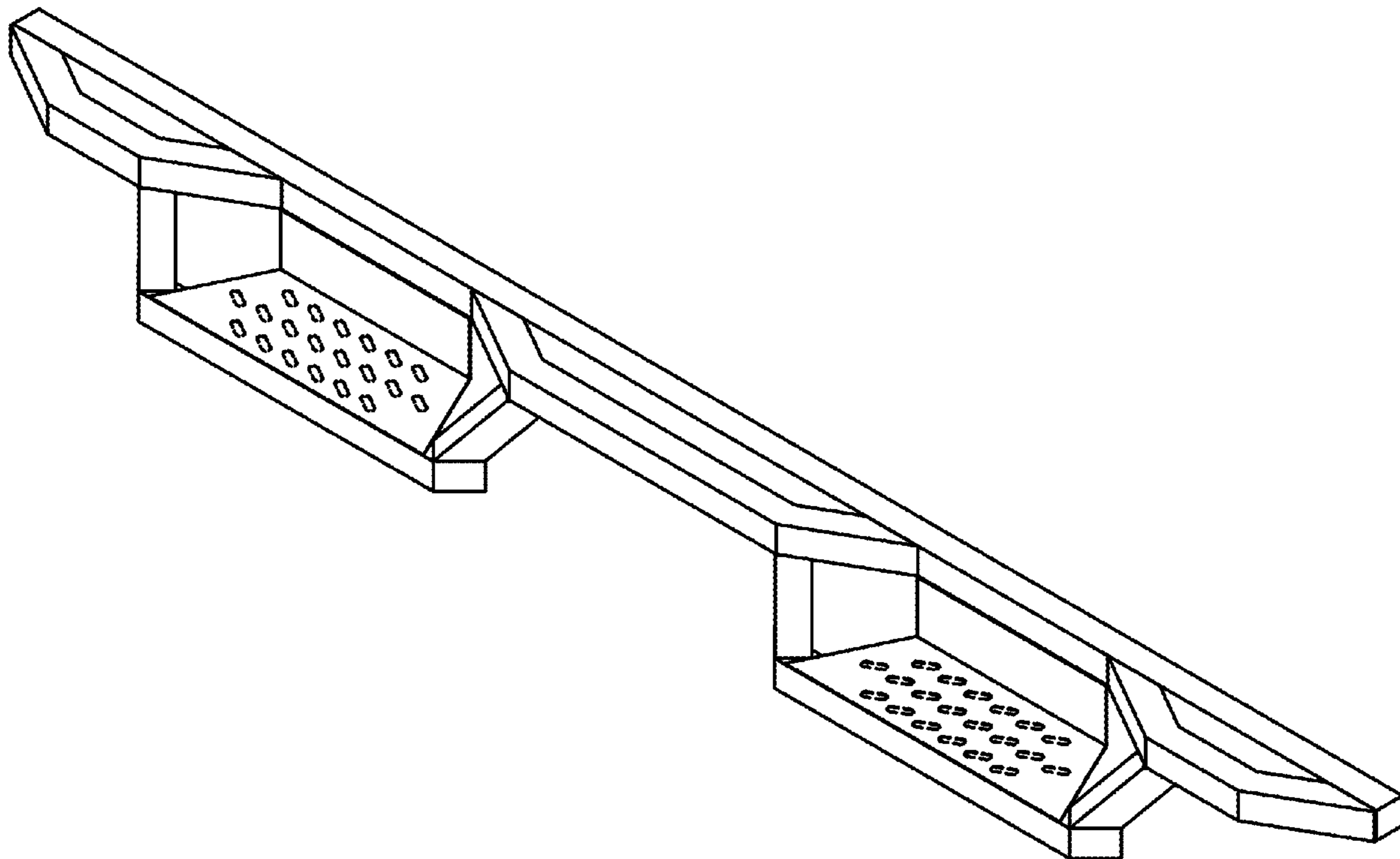
(57) **CLAIM**

The ornamental design for a side step for land vehicles, as shown and described.

DESCRIPTION

FIG. 1 is a perspective view of the side step for land vehicles showing my new design;
FIG. 2 is a front view thereof;
FIG. 3 is a rear side view thereof;
FIG. 4 is a left side view thereof;
FIG. 5 is a right view thereof;
FIG. 6 is a top view thereof; and,
FIG. 7 is a bottom view thereof.
The portions of the side step for land vehicles shown in broken lines form no part of the claimed design.

1 Claim, 3 Drawing Sheets



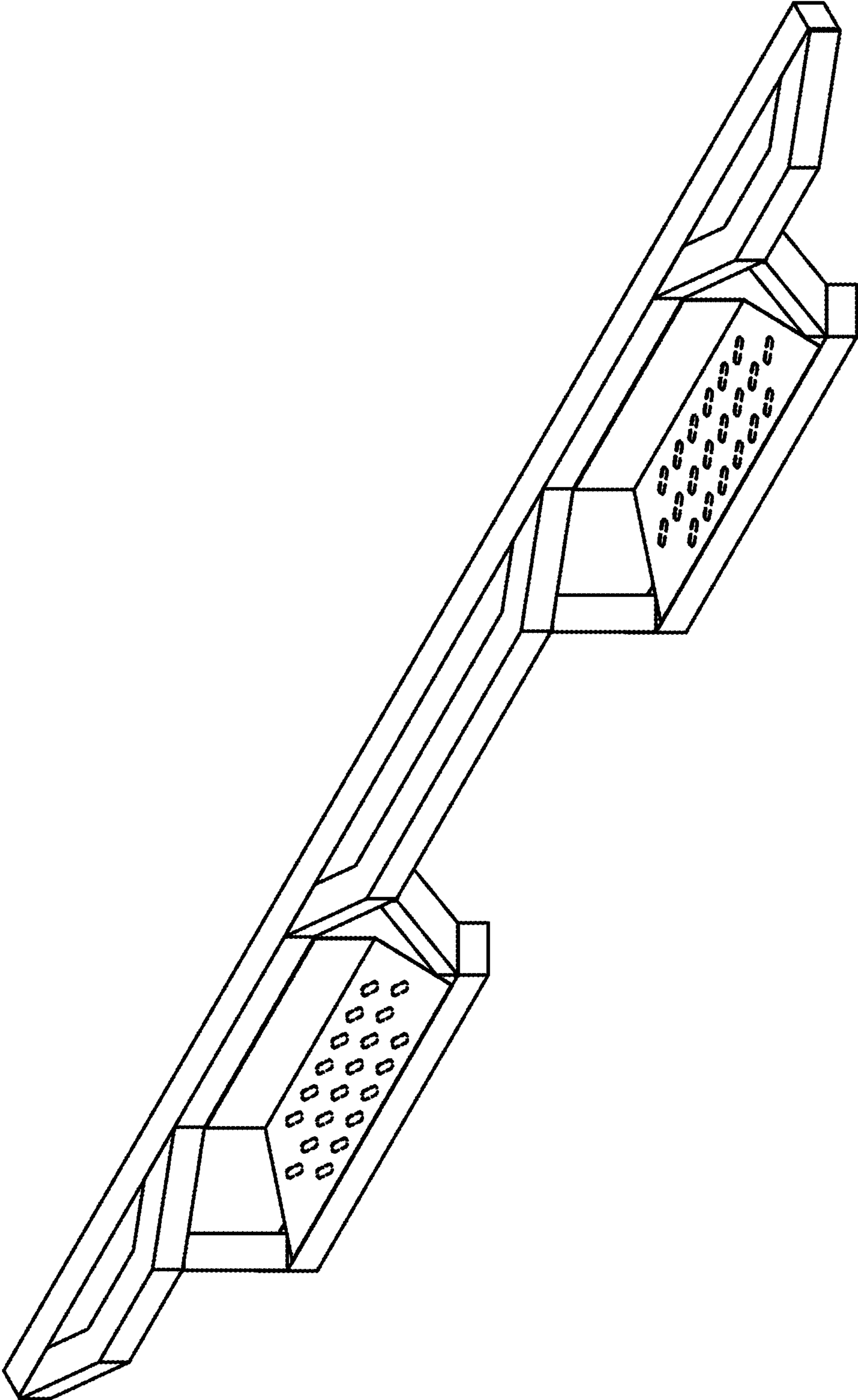


FIG. 1

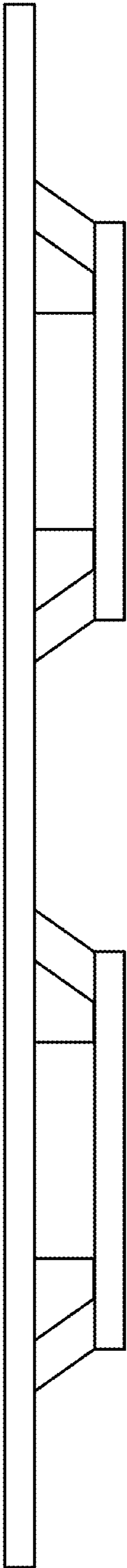


FIG. 2

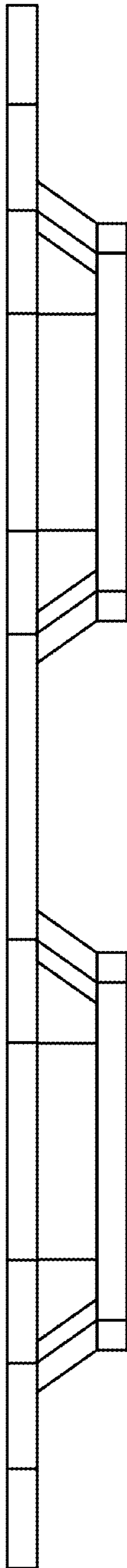


FIG. 3

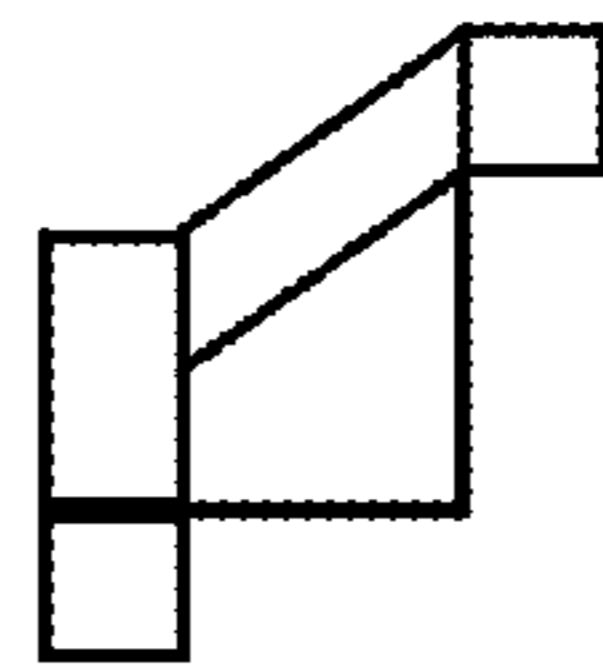


FIG. 4

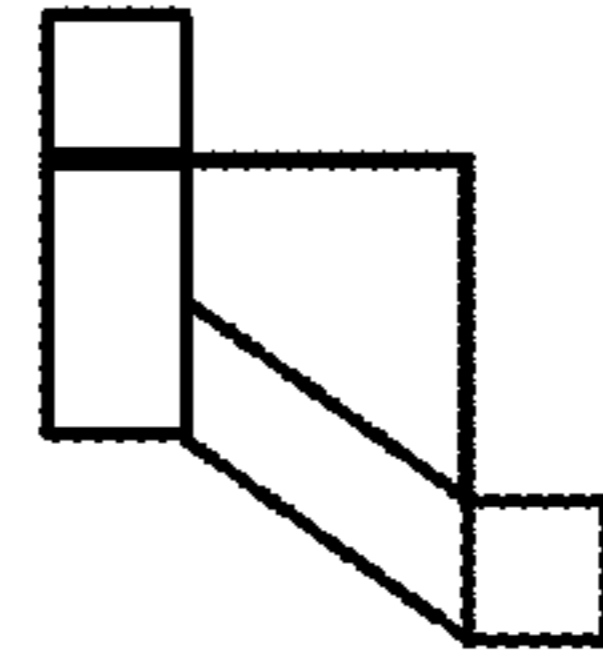


FIG. 5

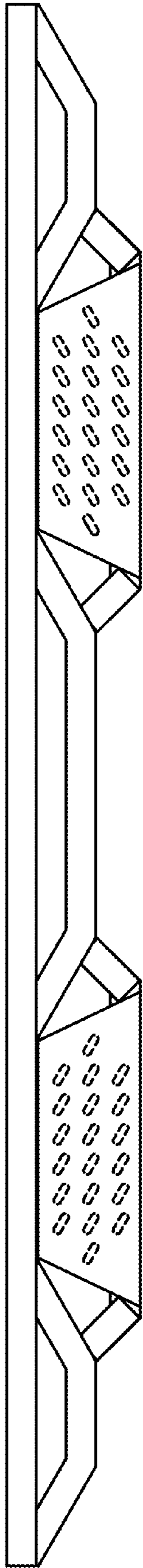


FIG. 6

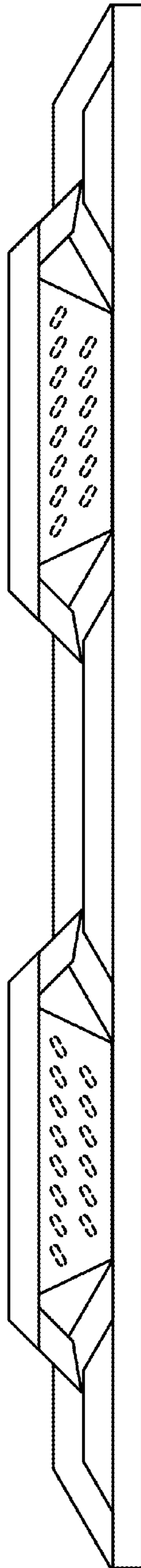


FIG. 7