



US00D886700S

(12) **United States Design Patent** (10) **Patent No.:** **US D886,700 S**  
**Xu** (45) **Date of Patent:** **\*\* Jun. 9, 2020**

(54) **SILICONE LICENSE PLATE FRAME**  
(71) Applicant: **Fuzhou Huodan Electronic Technology Co., Ltd., Fuzhou (CN)**

D739,800 S 9/2015 Spencer et al.  
D780,651 S 3/2017 Spencer et al.  
D818,917 S \* 5/2018 Addy ..... D12/193  
D824,307 S \* 7/2018 Spencer ..... D12/193  
D833,352 S \* 11/2018 Reshetnyak ..... D12/193

(72) Inventor: **Yixuan Xu, Shenzhen (CN)**

**OTHER PUBLICATIONS**

(\*\*) Term: **15 Years**

Aujen Silicone License Plate Frame, 2 PCS License Plate Holder, Universal American Auto Black License Plate Frame Rust-Proof, Rattle-Proof, Weather-Proof, <https://www.amazon.com/dp/B07YZFM2FQ>; Date First Available Oct. 11, 2019.

(21) Appl. No.: **29/725,544**

(22) Filed: **Feb. 26, 2020**

(51) **LOC (12) Cl.** ..... **12-16**

\* cited by examiner

(52) **U.S. Cl.**  
USPC ..... **D12/193**

*Primary Examiner* — Natasha Vujcic

(58) **Field of Classification Search**  
USPC ..... D12/193; D6/300, 301, 302, 310, 311,  
D6/312, 313, 314; D20/13  
CPC ..... B60R 13/10; B60R 13/105; B60R 19/24;  
B60R 19/52

(74) *Attorney, Agent, or Firm* — KA Filing LLC; Wayne V. Harper

See application file for complete search history.

(57) **CLAIM**

I claim the ornamental design for a silicone license plate frame, as shown and described.

(56) **References Cited**

**U.S. PATENT DOCUMENTS**

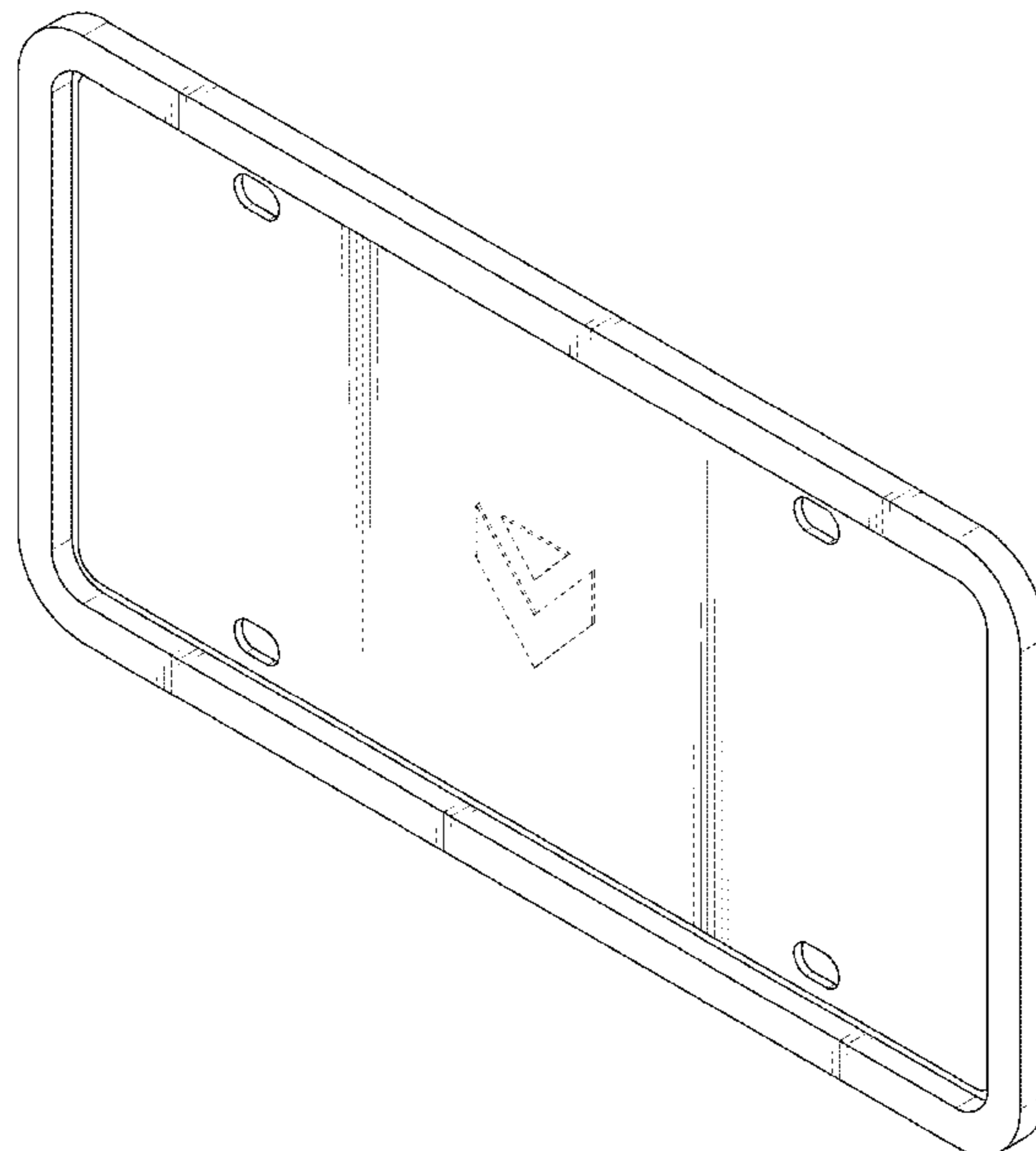
D285,784 S \* 9/1986 Langensiepen ..... D12/193  
D360,479 S \* 7/1995 Howard ..... D12/193  
D370,450 S \* 6/1996 Doan ..... D12/193  
D406,806 S \* 3/1999 Wallace ..... D12/193  
D408,341 S \* 4/1999 Spencer ..... D12/193  
D416,527 S \* 11/1999 Steinhagen ..... D12/193  
D488,753 S \* 4/2004 Spencer ..... D12/193  
D489,031 S \* 4/2004 Leibman ..... D12/193  
D549,783 S \* 8/2007 Beno ..... D20/10  
D623,105 S \* 9/2010 Aneiros ..... D12/193  
D625,234 S \* 10/2010 Vuletic ..... D12/193  
D630,986 S \* 1/2011 Spencer ..... D12/193  
D647,834 S 11/2011 Spencer et al.  
D712,326 S 9/2014 Spencer et al.  
D717,223 S 11/2014 Doerr  
D721,998 S 2/2015 Spencer et al.  
D734,228 S \* 7/2015 Masanek, Jr. .... D12/193

**DESCRIPTION**

FIG. 1 is a perspective view of a silicone license plate frame showing my new design;  
FIG. 2 is a front view thereof;  
FIG. 3 is a back view thereof;  
FIG. 4 is a right-side view thereof;  
FIG. 5 is a left-side view thereof;  
FIG. 6 is a top view thereof; and,  
FIG. 7 is a bottom view thereof.

The broken lines in the drawings illustrate portions of the silicone license plate frame which form no part of the claimed design.

**1 Claim, 5 Drawing Sheets**



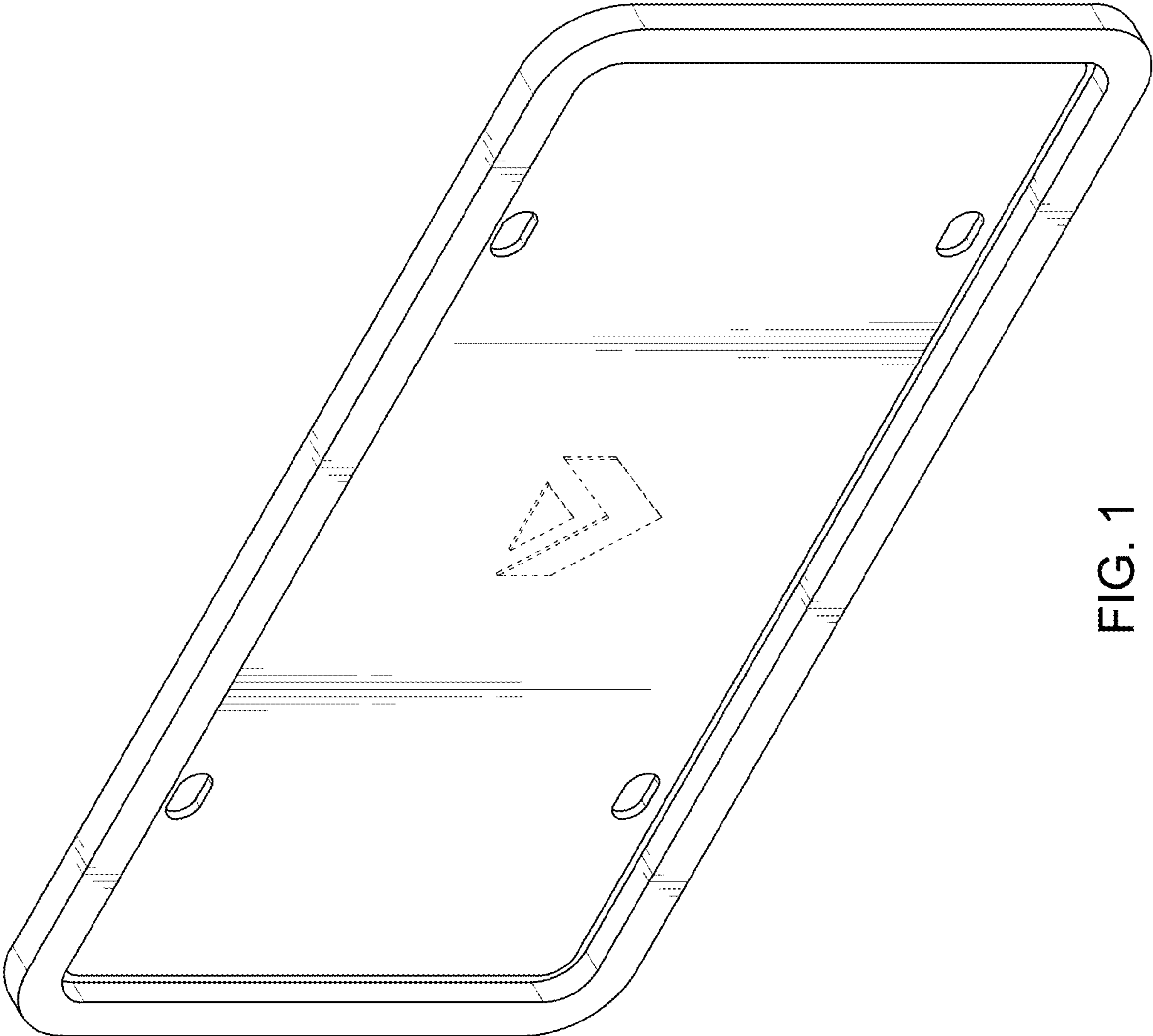


FIG. 1

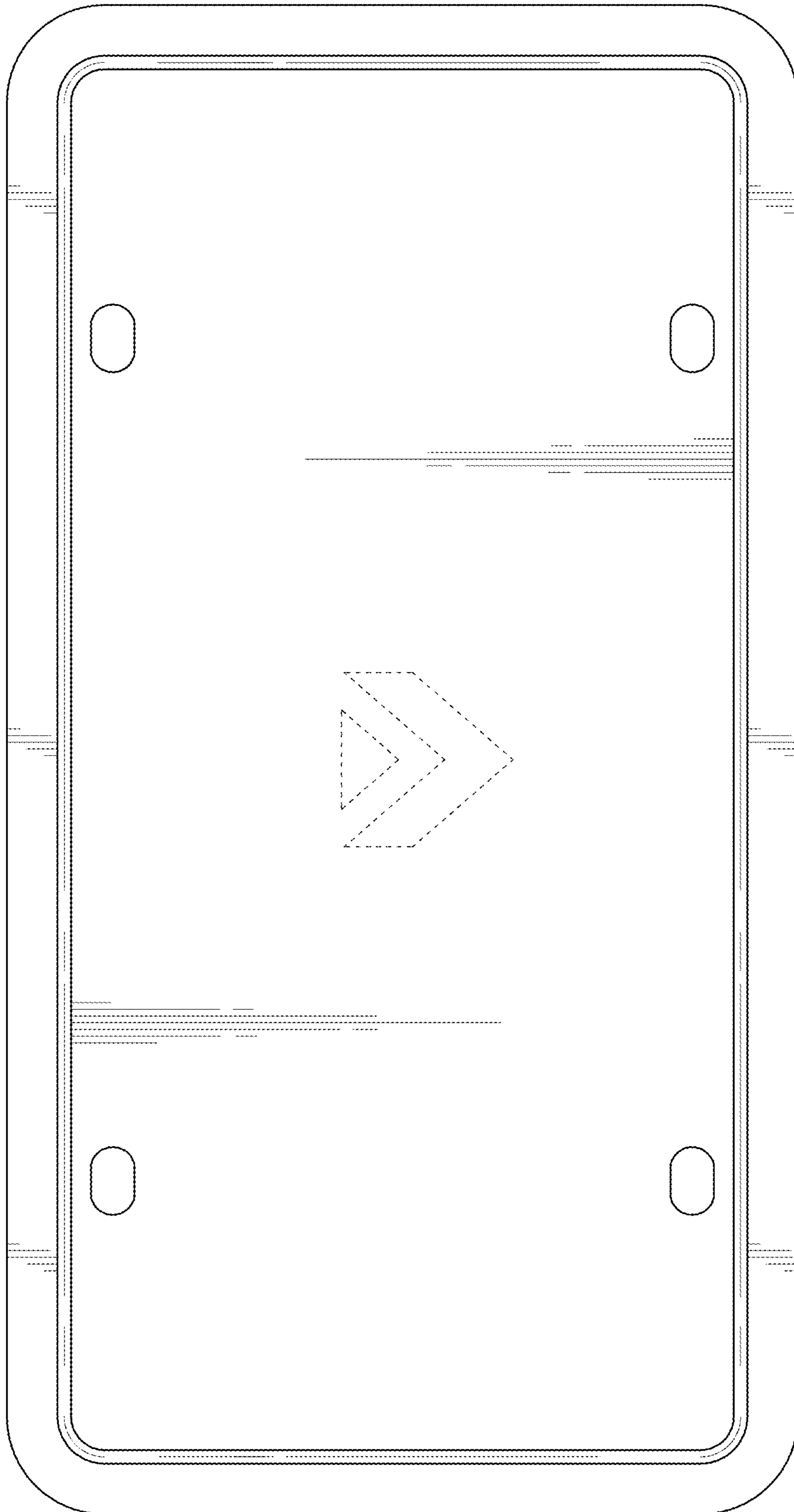


FIG. 2

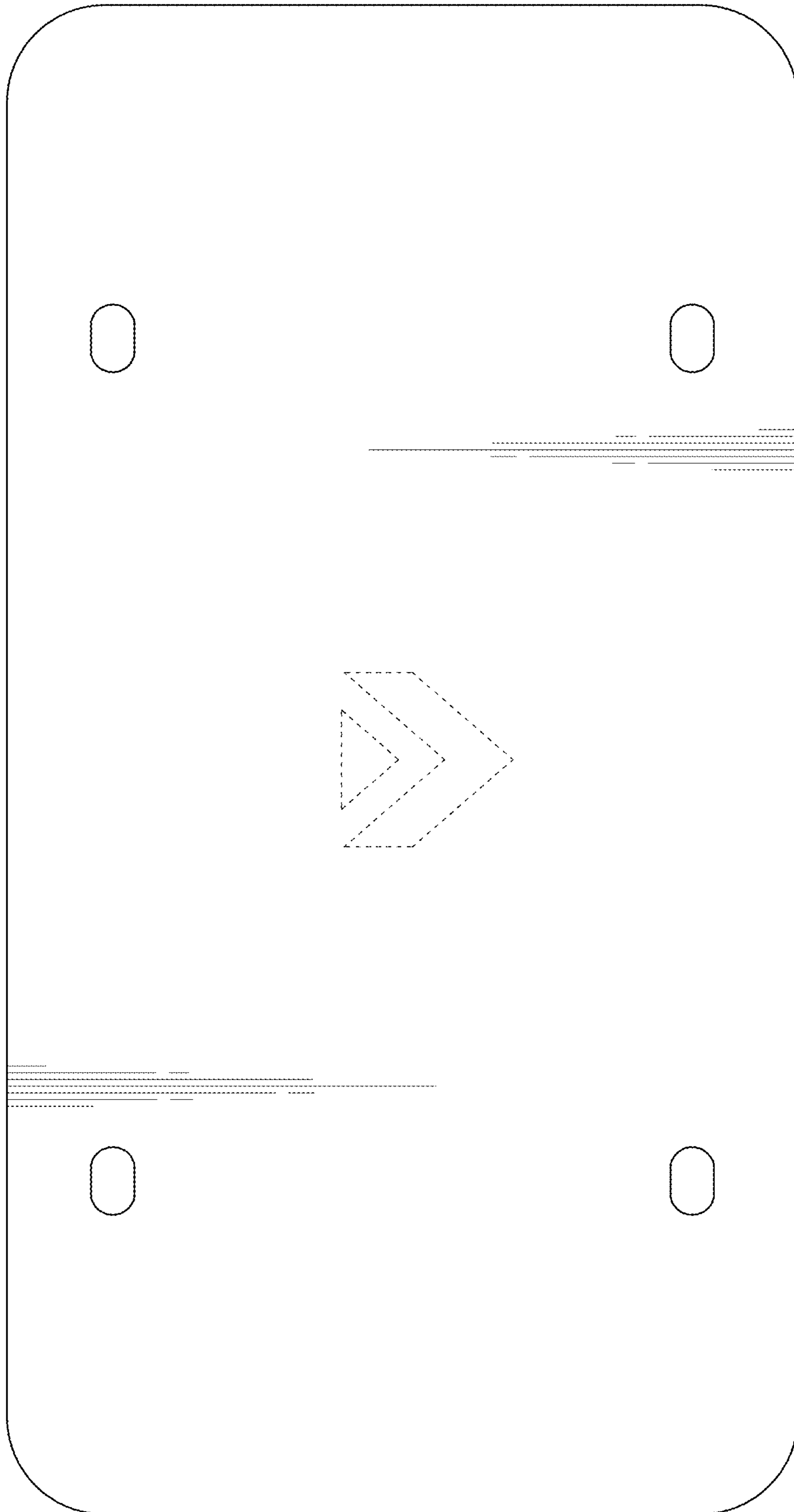


FIG. 3

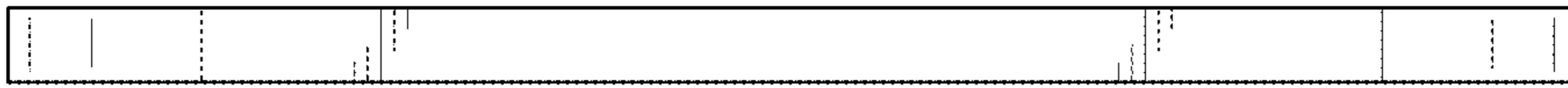


FIG. 5



FIG. 4



FIG. 6

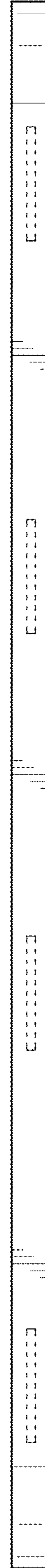


FIG. 7