



US00D886697S

(12) **United States Design Patent**
Sugimura

(10) **Patent No.:** **US D886,697 S**
(45) **Date of Patent:** **** Jun. 9, 2020**

(54) **MOUNTING BASE FOR ON-VEHICLE EQUIPMENT**

(71) Applicant: **MURAKAMI CORPORATION**,
Shizuoka (JP)

(72) Inventor: **Naomi Sugimura**, Shimada (JP)

(73) Assignee: **MURAKAMI CORPORATION**,
Shizuoka (JP)

(**) Term: **15 Years**

(21) Appl. No.: **29/657,909**

(22) Filed: **Jul. 26, 2018**

(30) **Foreign Application Priority Data**

Jan. 31, 2018 (JP) 2018-001853

(51) **LOC (12) Cl.** **12-16**

(52) **U.S. Cl.**
USPC **D12/187**

(58) **Field of Classification Search**
USPC D12/187-189, 223, 400, 404; D8/354;
248/475.1, 300, 200, 479-483, 549, 476;
(Continued)

(56) **References Cited**

U.S. PATENT DOCUMENTS

6,299,319 B1 10/2001 Mertens et al.
6,326,613 B1 12/2001 Heslin et al.
(Continued)

FOREIGN PATENT DOCUMENTS

EP 1040962 A2 10/2000

OTHER PUBLICATIONS

U.S. Appl. No. 29/657,901 to Naomi Sugimura, filed Jul. 26, 2018.

Primary Examiner — Abraham Bahta
(74) *Attorney, Agent, or Firm* — Greenblum & Bernstein,
P.L.C.

(57) **CLAIM**

The ornamental design for a mounting base for on-vehicle equipment, as shown and described.

DESCRIPTION

FIG. 1 is a front elevational view of an embodiment of the mounting base for on-vehicle equipment, showing my new design;

FIG. 2 is a rear view thereof;

FIG. 3 is a top plan view thereof;

FIG. 4 is a bottom view thereof;

FIG. 5 is a right side elevational view thereof;

FIG. 6 is a left side elevational view thereof;

FIG. 7 is a sectional view taken along line 7-7 of FIG. 1;

FIG. 8 is a sectional view taken along line 8-8 of FIG. 1;

FIG. 9 is a sectional view taken along line 9-9 of FIG. 1;

FIG. 10 is a sectional view taken along line 10-10 of FIG. 1;

FIG. 11 is a front-upper right side perspective view thereof;

FIG. 12 is a front-lower right side perspective view thereof;

FIG. 13 is a front-upper left side perspective view thereof;

FIG. 14 is a front-lower left side perspective view thereof;

FIG. 15 is a rear-upper left side perspective view thereof;

FIG. 16 is a rear-lower left side perspective view thereof;

FIG. 17 is a rear-upper right side perspective view thereof;

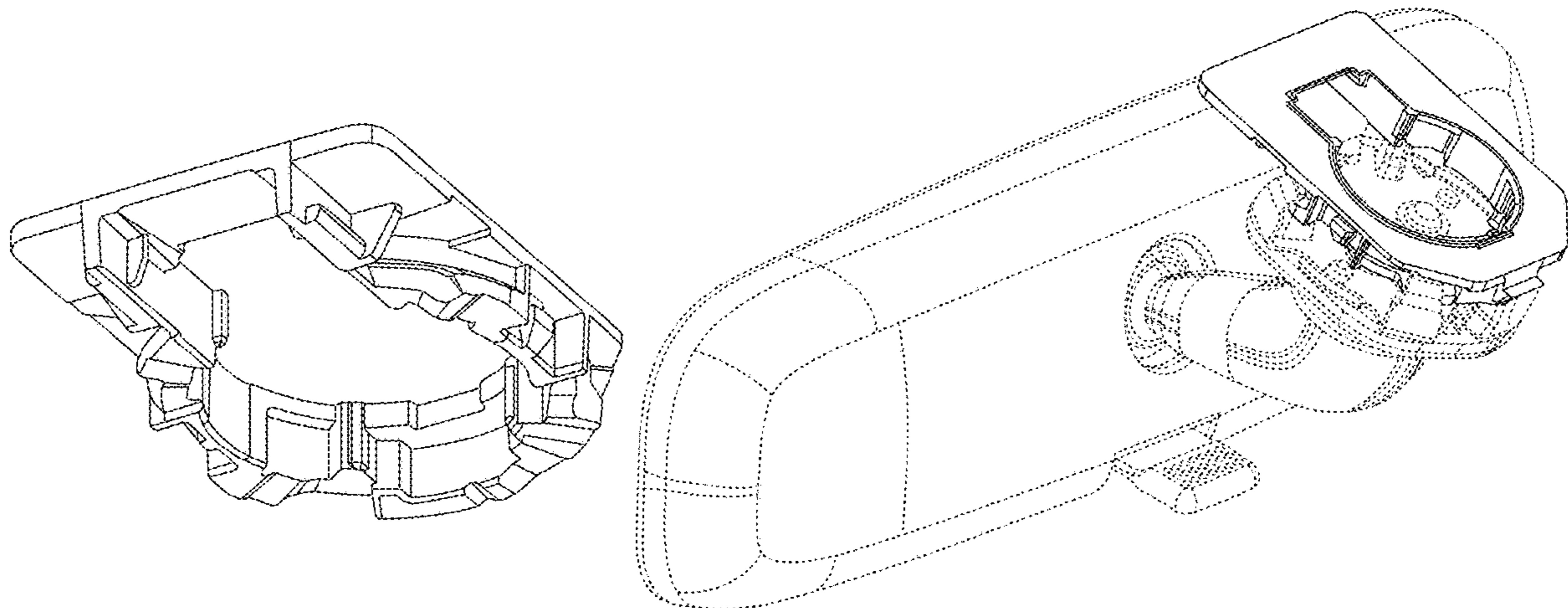
FIG. 18 is a rear-lower right side perspective view thereof;

and,

FIG. 19 is a perspective view thereof showing the mounting base for on-vehicle equipment with environmental structure shown in broken lines that forms no part of the claimed design.

Any surfaces of the design not shown, including interior surfaces and any surfaces shown in broken lines, form no part of the claimed design.

1 Claim, 19 Drawing Sheets



(58) **Field of Classification Search**

USPC 359/841, 838, 868, 871, 872, 842, 843,
359/881, 877, 604, 514; 348/148;
250/208.1, 227.25, 341.7

CPC .. B60R 1/04; B60R 1/12; B60R 1/076; B60R
1/074; B60R 1/078; B60R 1/08; B60R
1/081; B60R 1/082; B60R 1/025; F16F
1/26; F16F 1/32; F16F 13/00; A47G 1/16

See application file for complete search history.

(56) **References Cited**

U.S. PATENT DOCUMENTS

7,726,623	B2 *	6/2010	Muller	B60R 1/04 248/475.1
8,925,891	B2 *	1/2015	Van Huis	B60R 11/04 248/475.1
9,174,577	B2 *	11/2015	Busscher	B60R 1/04
9,244,249	B2	1/2016	Kim et al.		
10,190,610	B1 *	1/2019	Busscher	F16B 2/22
2012/0105990	A1	5/2012	Quinn et al.		
2014/0055617	A1	2/2014	Minikey, Jr. et al.		

* cited by examiner

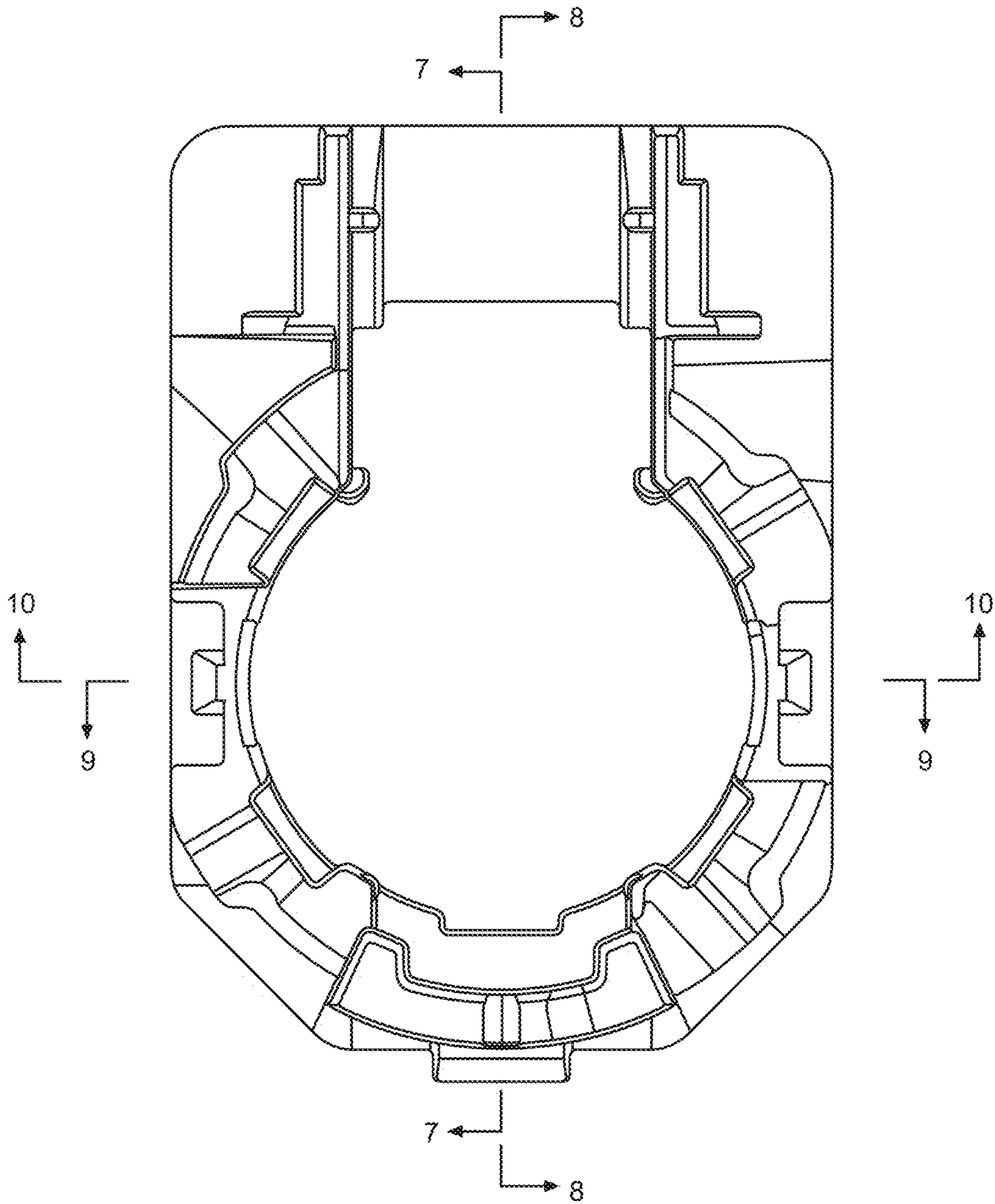


FIG. 1

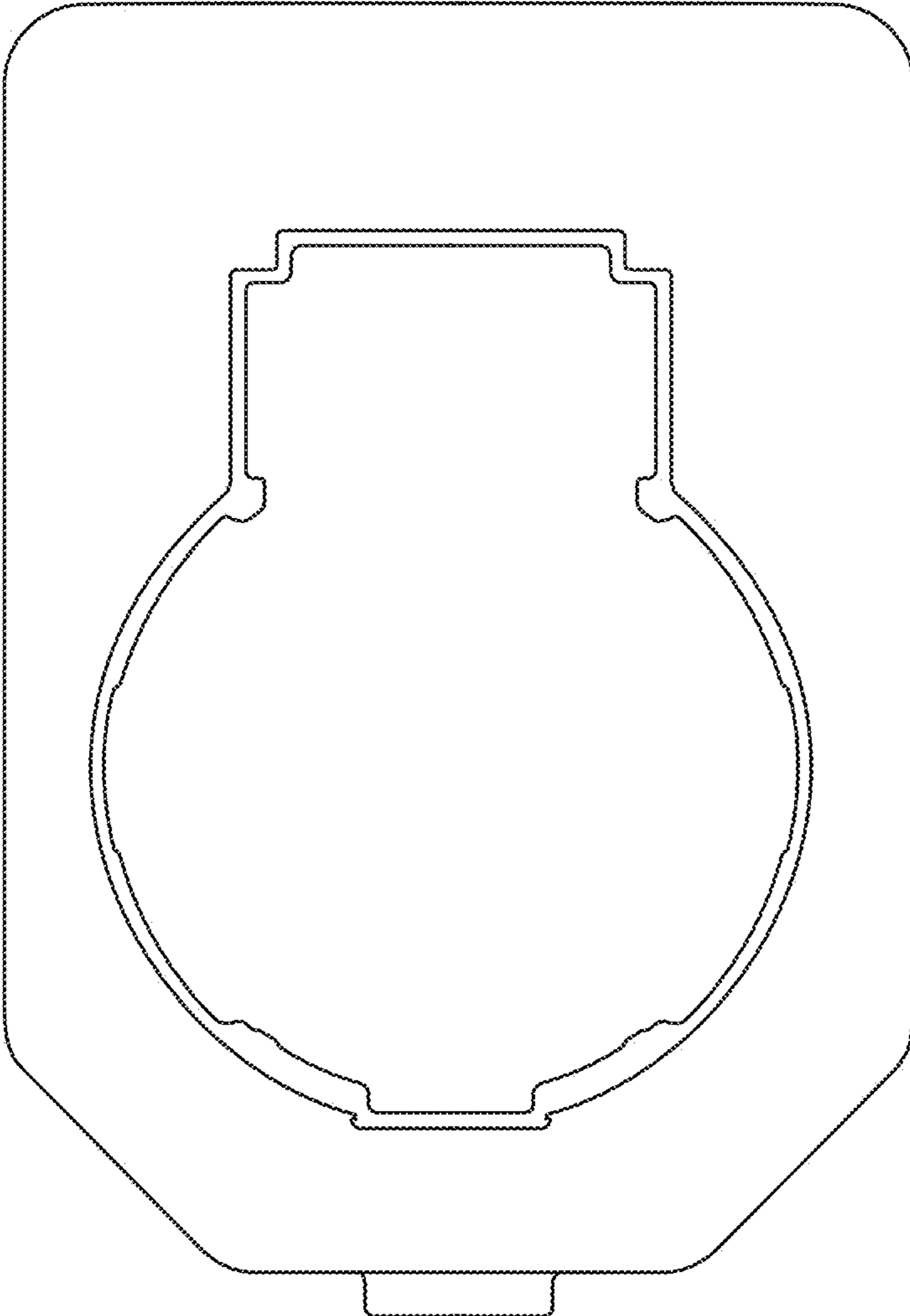


FIG. 2



FIG. 3

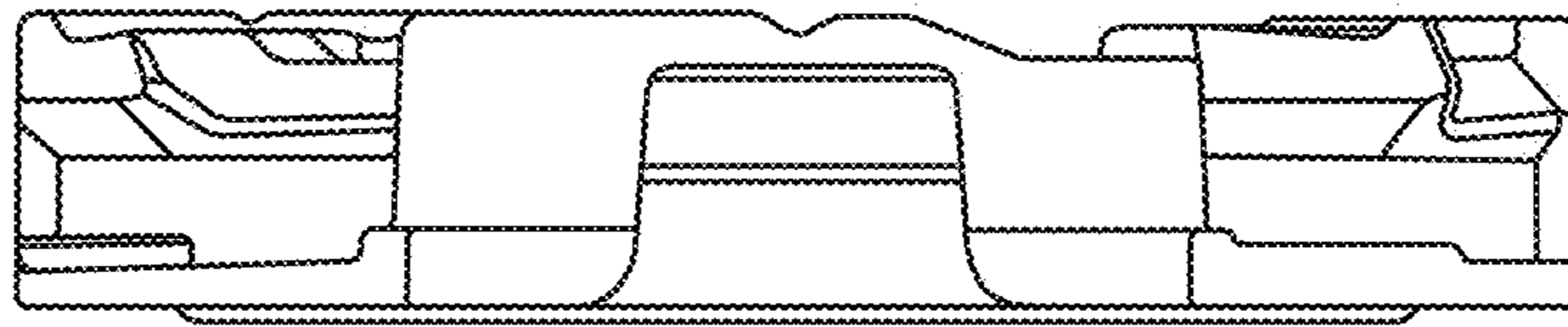


FIG. 4

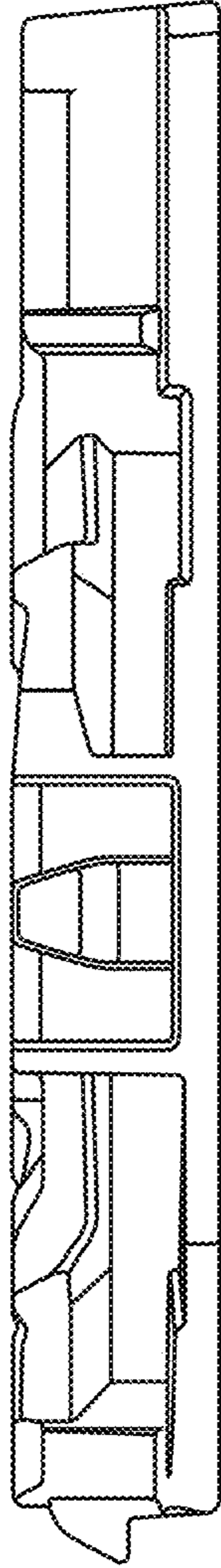


FIG. 5

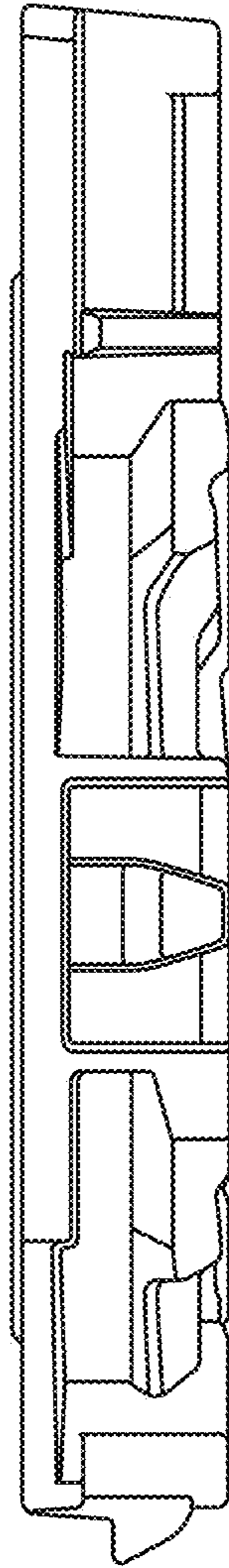


FIG. 6

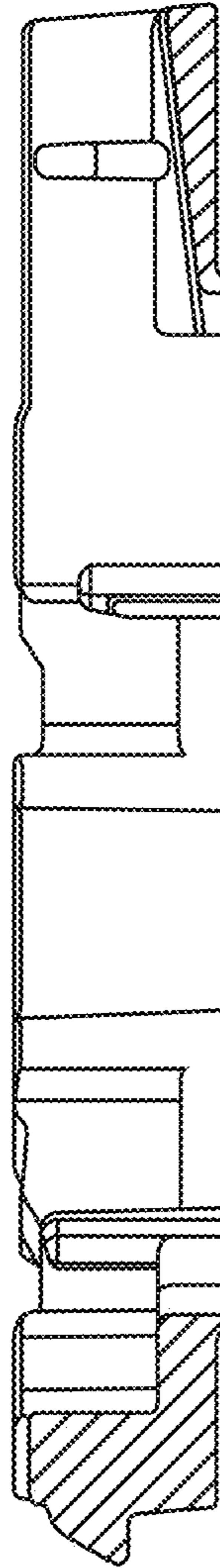


FIG. 7

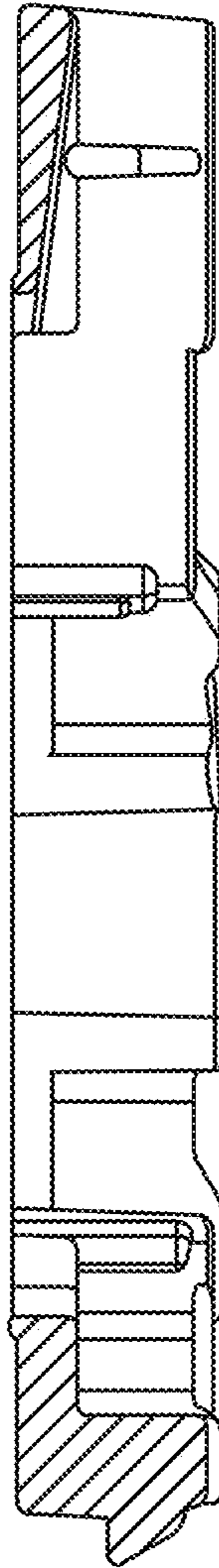


FIG. 8

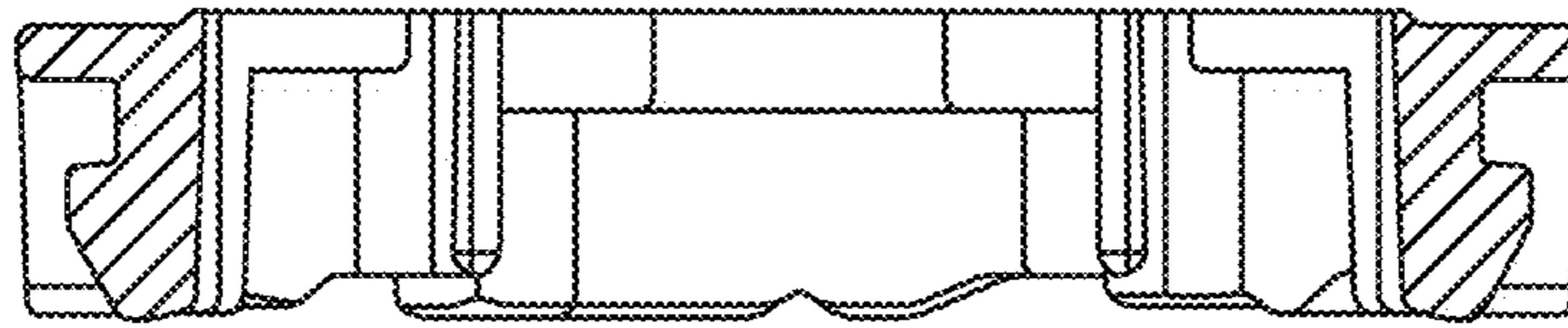


FIG. 9

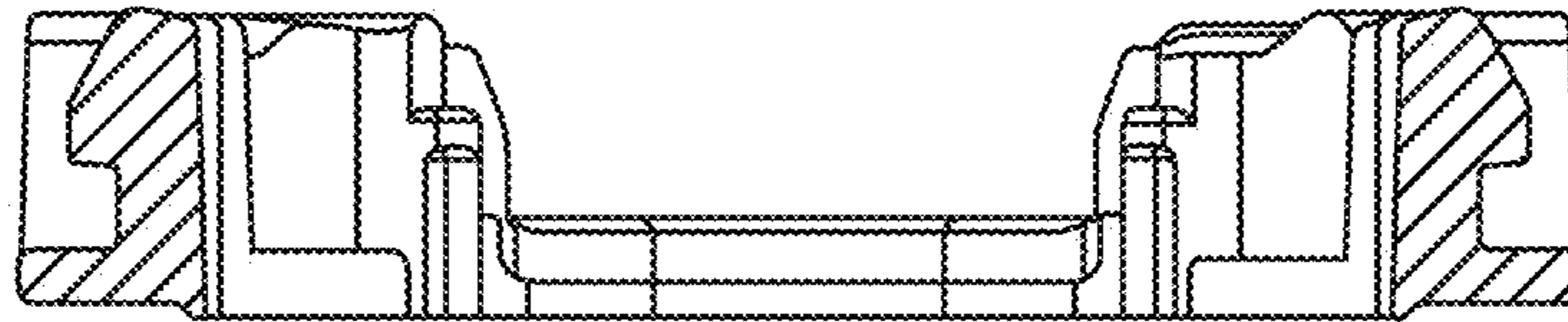


FIG. 10

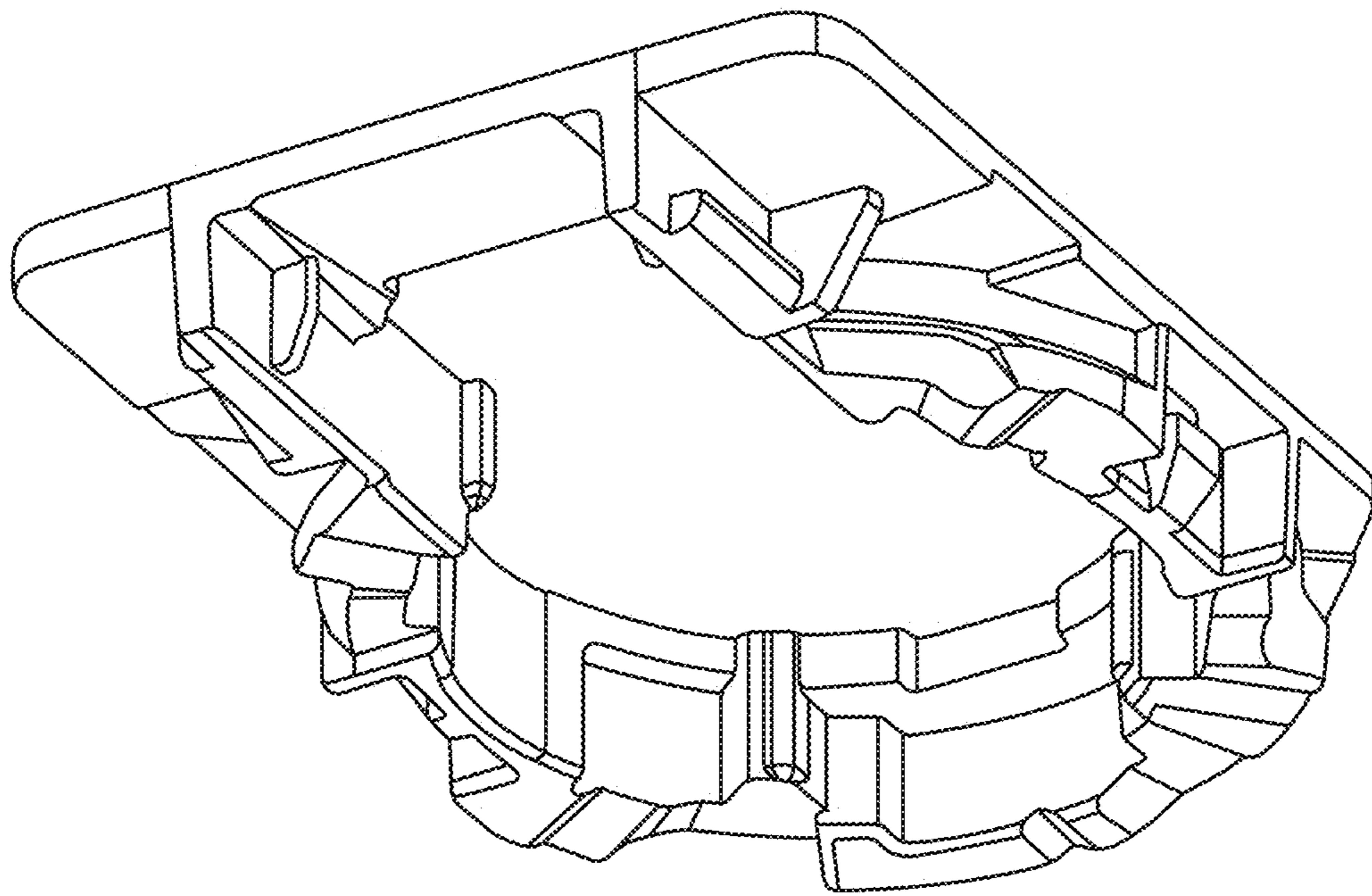


FIG. 11

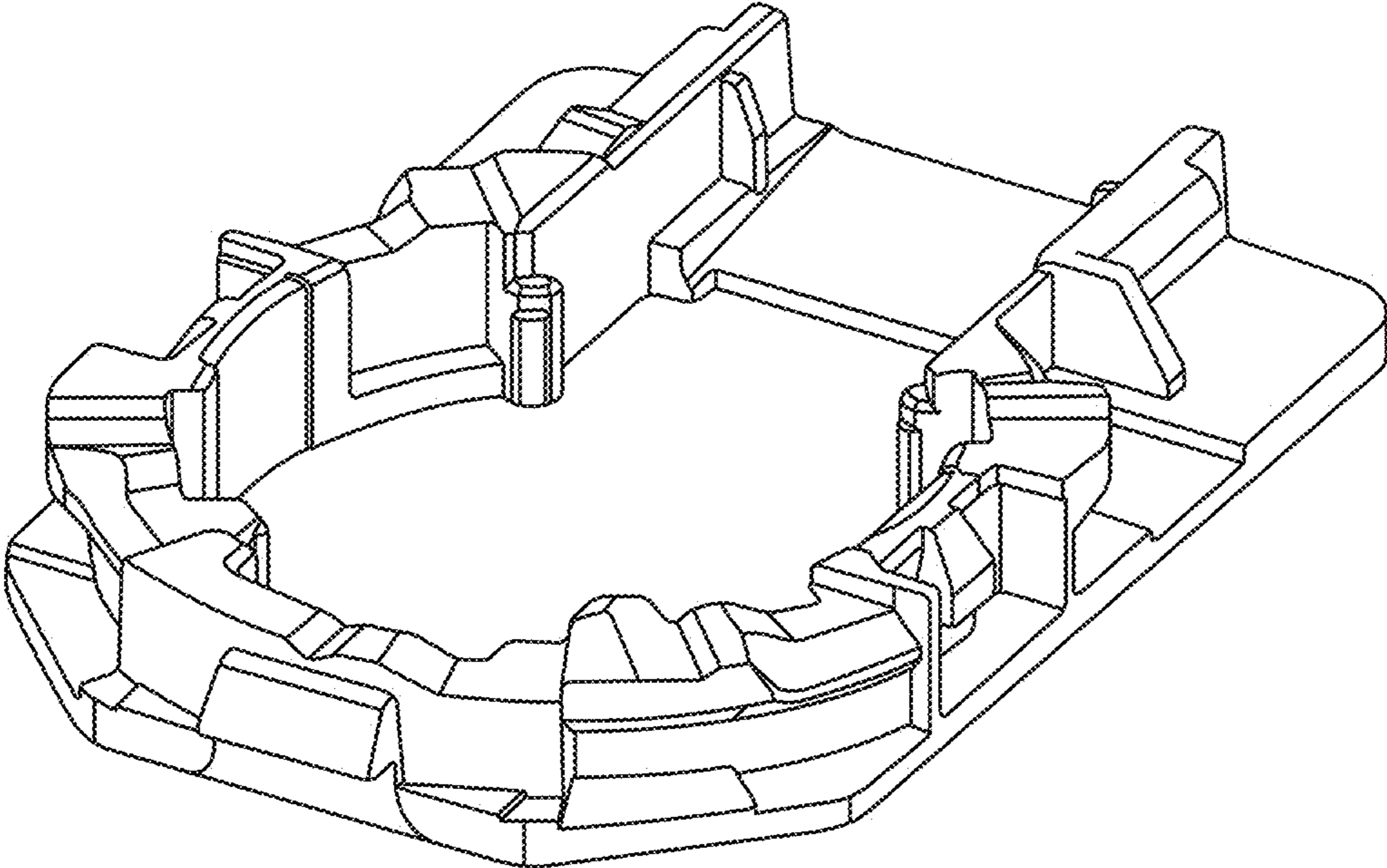


FIG. 12

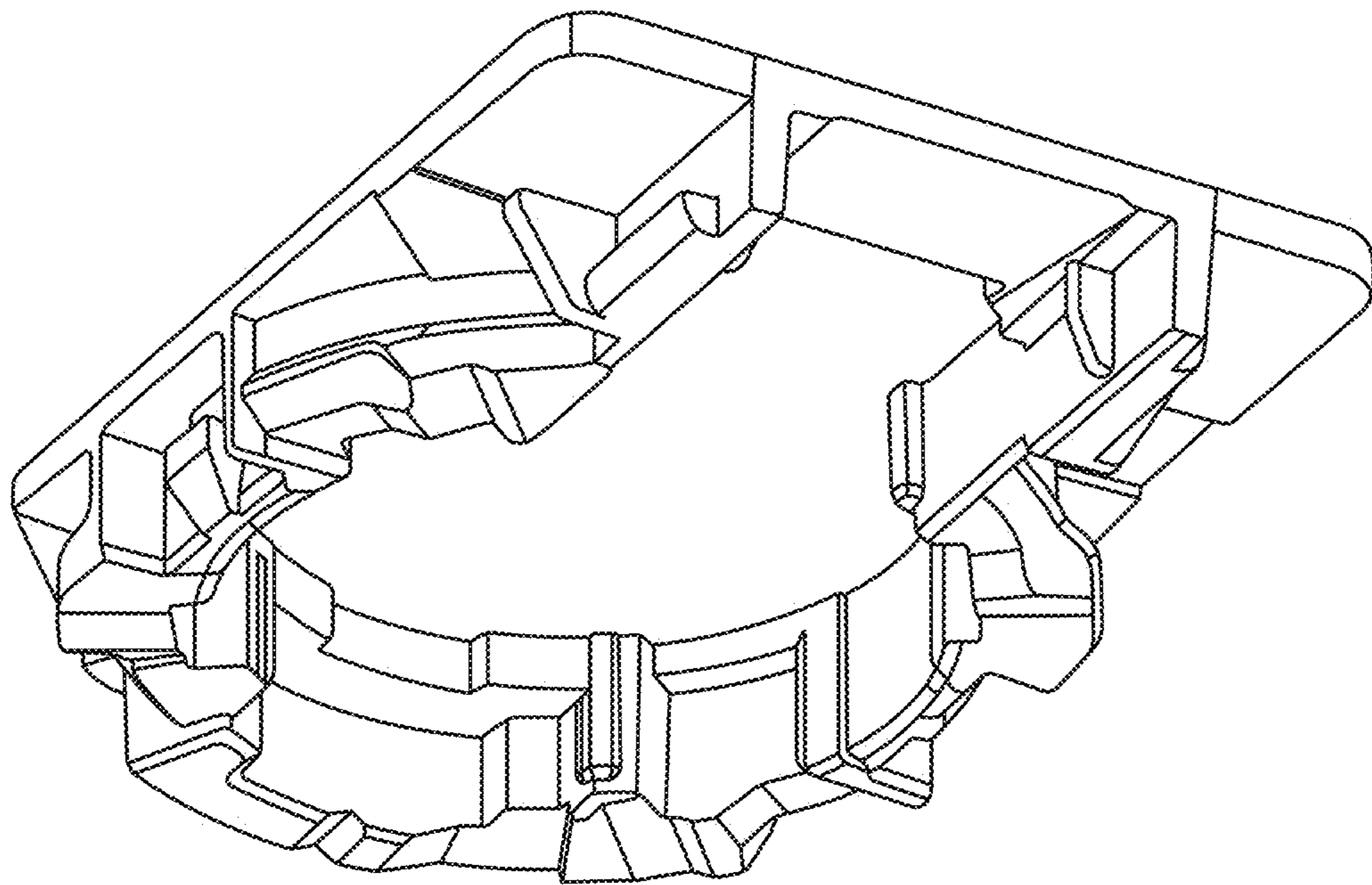


FIG. 13

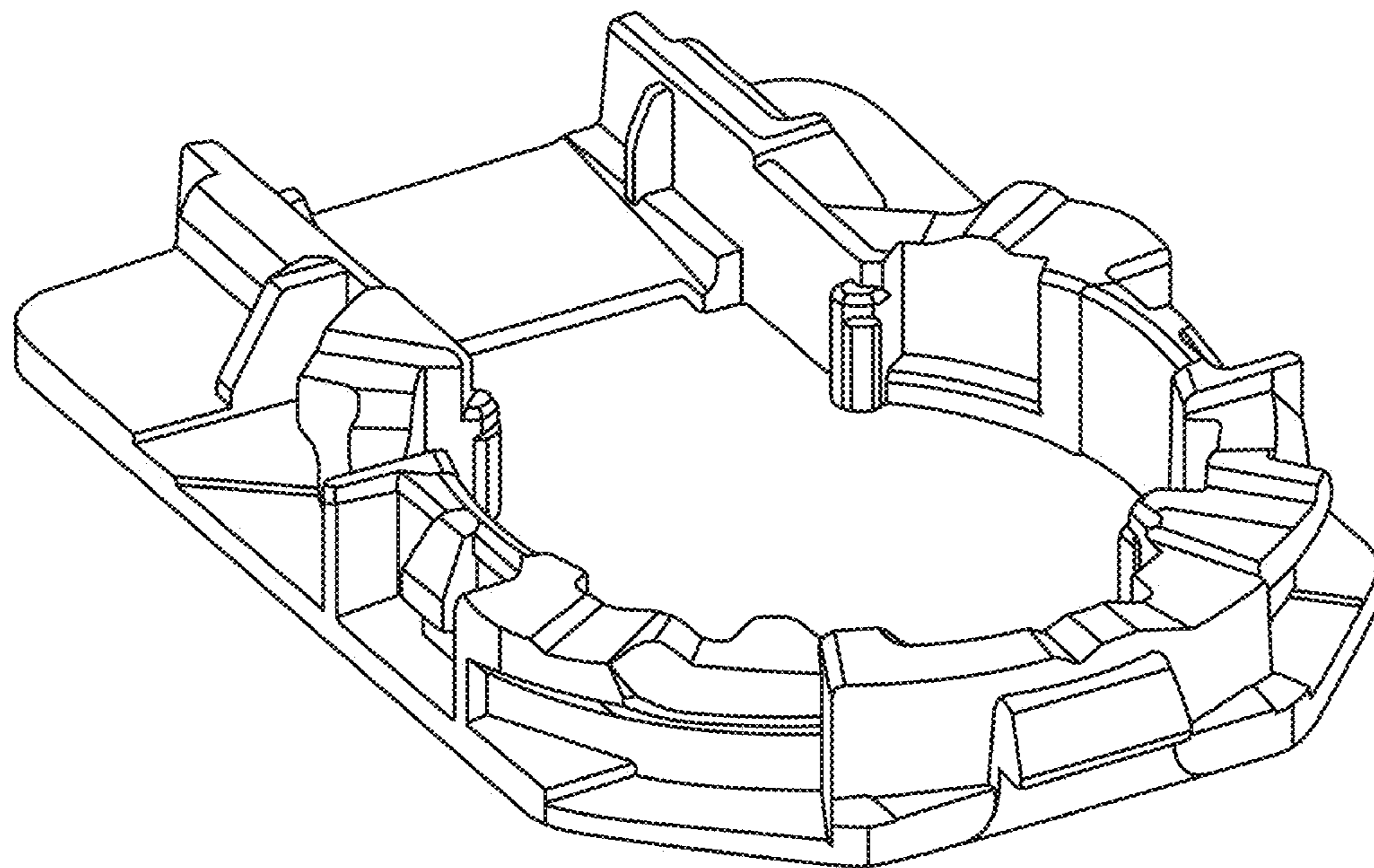


FIG. 14

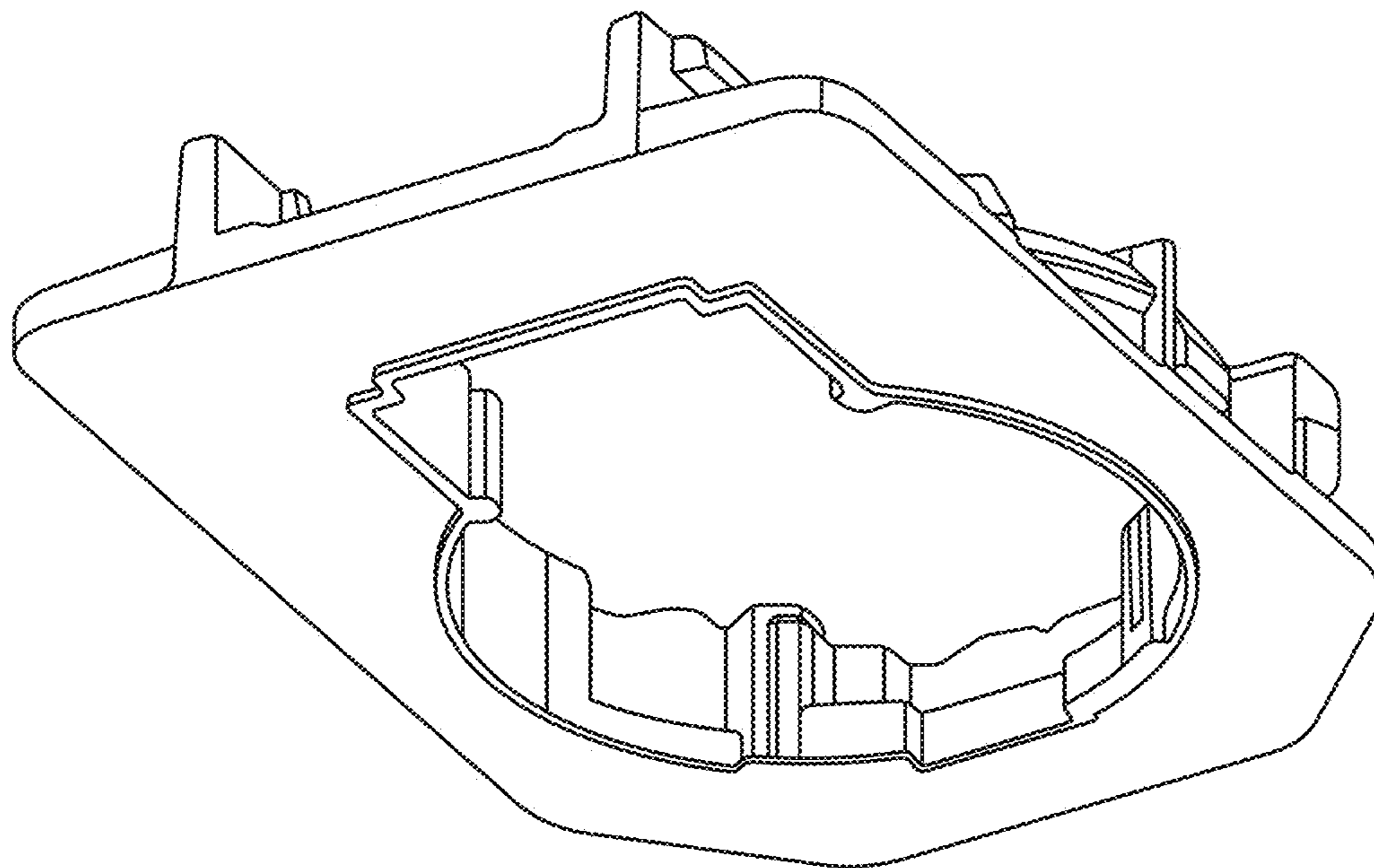


FIG. 15

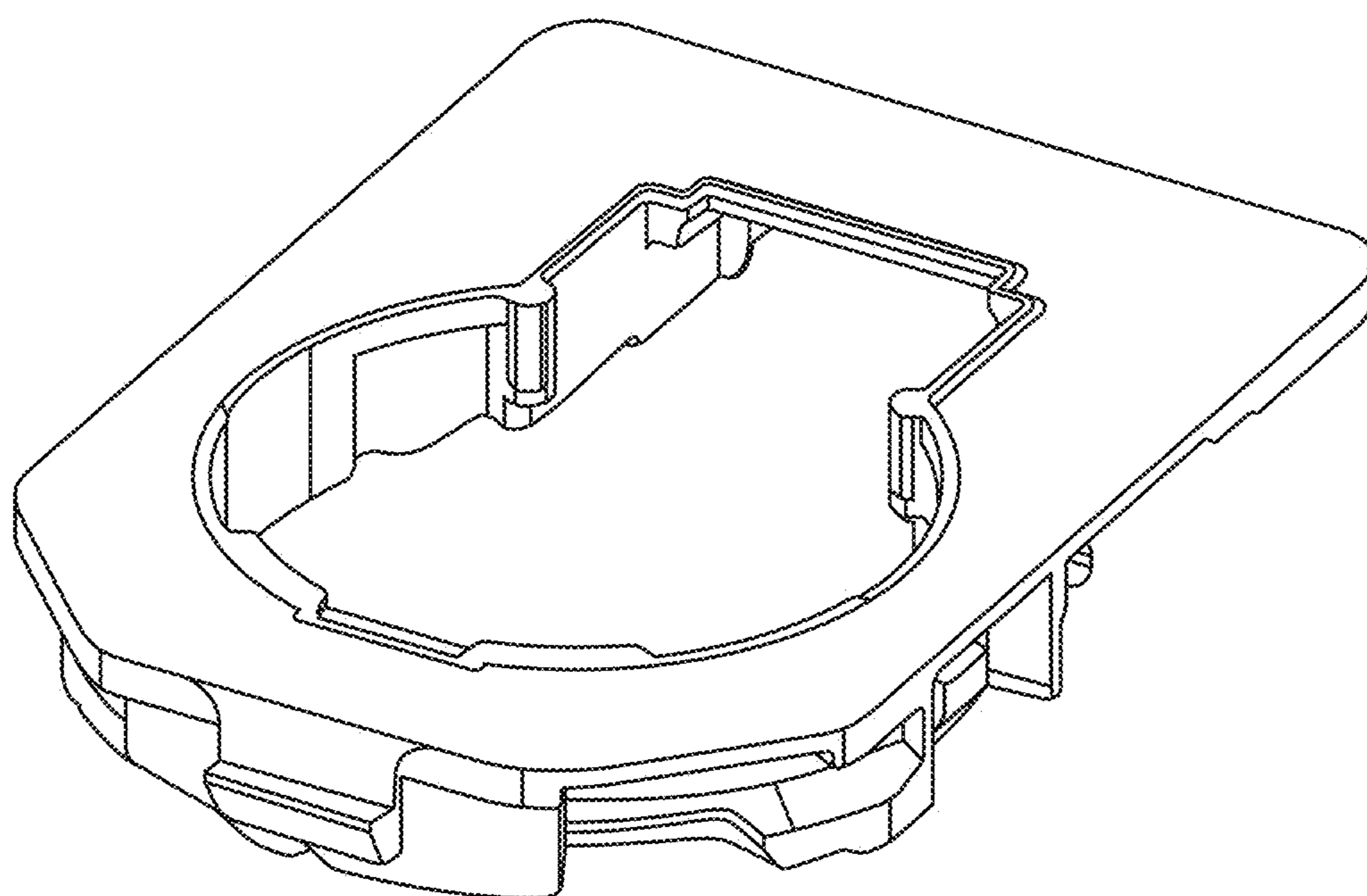


FIG. 16

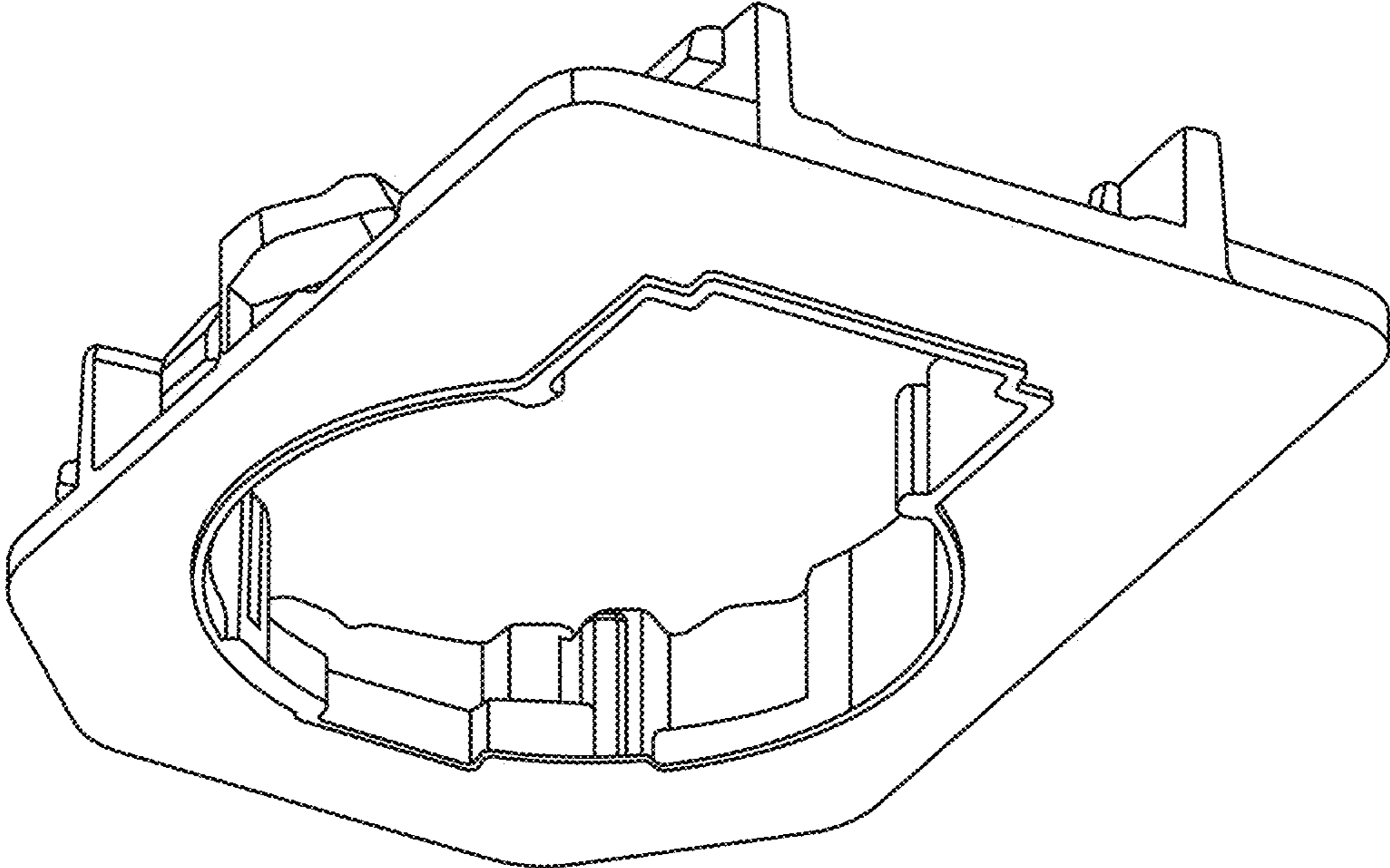


FIG. 17

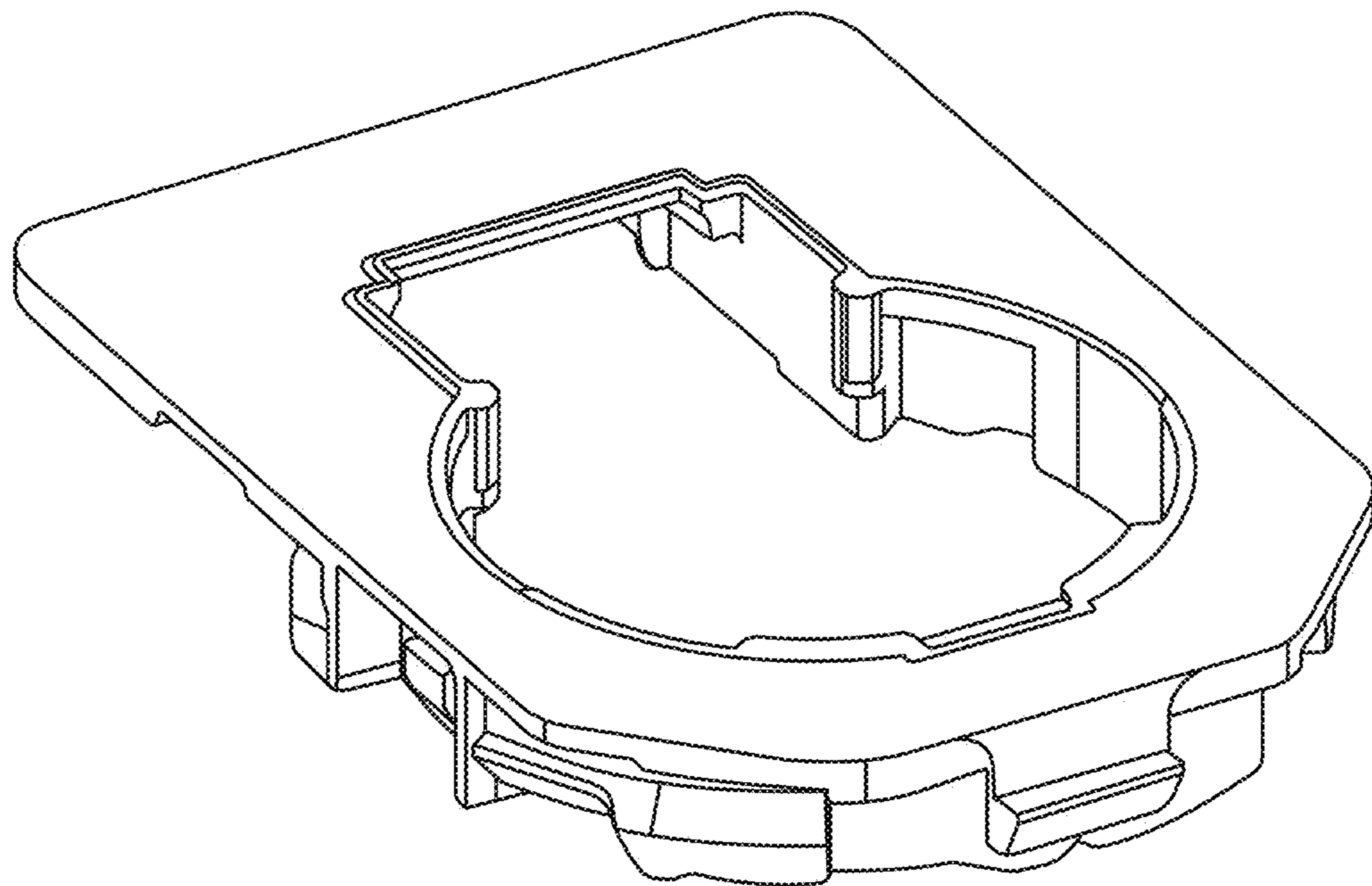


FIG. 18

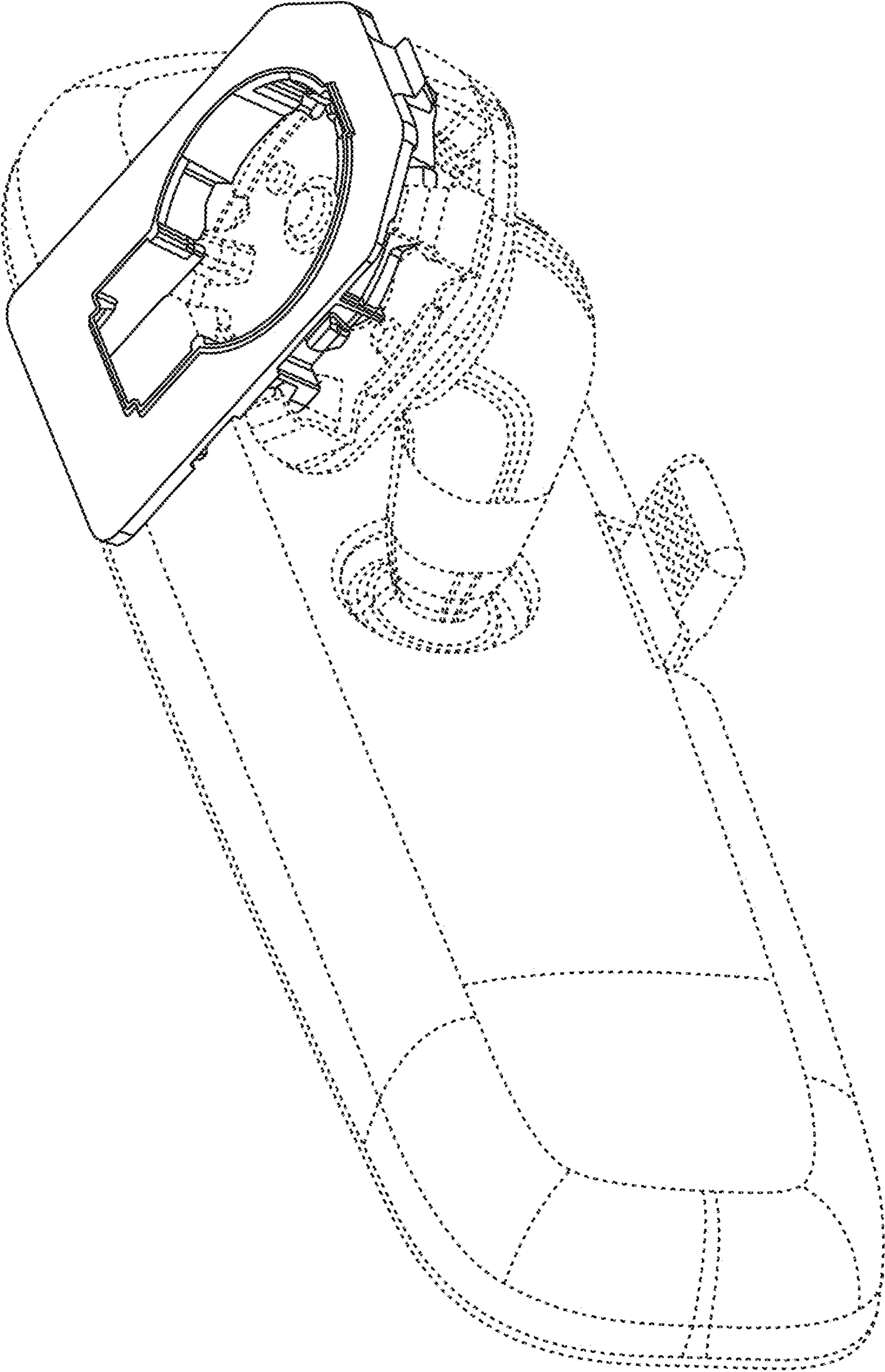


FIG. 19