



US00D886696S

(12) **United States Design Patent** (10) **Patent No.:** **US D886,696 S**
Holt et al. (45) **Date of Patent:** **** *Jun. 9, 2020**

(54) **SUNSHADE**

- (71) Applicant: **Pilot Inc.**, City of Industry, CA (US)
- (72) Inventors: **Dannette Holt**, City of Industry, CA (US); **Peter Lee**, City of Industry, CA (US); **Melinda Montes**, City of Industry, CA (US)
- (73) Assignee: **Pilot Inc.**, City of Industry, CA (US)
- (*) Notice: This patent is subject to a terminal disclaimer.

(**) Term: **15 Years**

(21) Appl. No.: **29/668,108**

(22) Filed: **Oct. 26, 2018**

(51) **LOC (12) Cl.** **12-08**

(52) **U.S. Cl.**
USPC **D12/183**

(58) **Field of Classification Search**
USPC D12/174, 180, 181, 182, 183, 191, 400, D12/401, 417; D6/582
CPC A47K 7/026; A47L 11/284; B60J 1/20; B60J 1/2002; B60J 1/2005; B60J 1/2008; B60J 1/2011; B60J 11/08; B60J 3/02; B60J 3/0204; B60J 3/0208
See application file for complete search history.

(56) **References Cited**

U.S. PATENT DOCUMENTS

D372,009 S *	7/1996	Rocheford	D12/183
D375,928 S *	11/1996	Wang	D12/191
5,687,786 A *	11/1997	Tsai	B60J 11/08
				160/370.21
5,816,641 A *	10/1998	Chen	B60J 11/08
				296/95.1

(Continued)

OTHER PUBLICATIONS

Official Action for U.S. Appl. No. 29/668,105, dated Jul. 17, 2019
10 pages.

(Continued)

Primary Examiner — Susan E Krakower
Assistant Examiner — Jerry Shiuan-Hua Hsu
(74) *Attorney, Agent, or Firm* — Sheridan Ross P.C.

(57) **CLAIM**

The ornamental design for a sunshade, as shown and described.

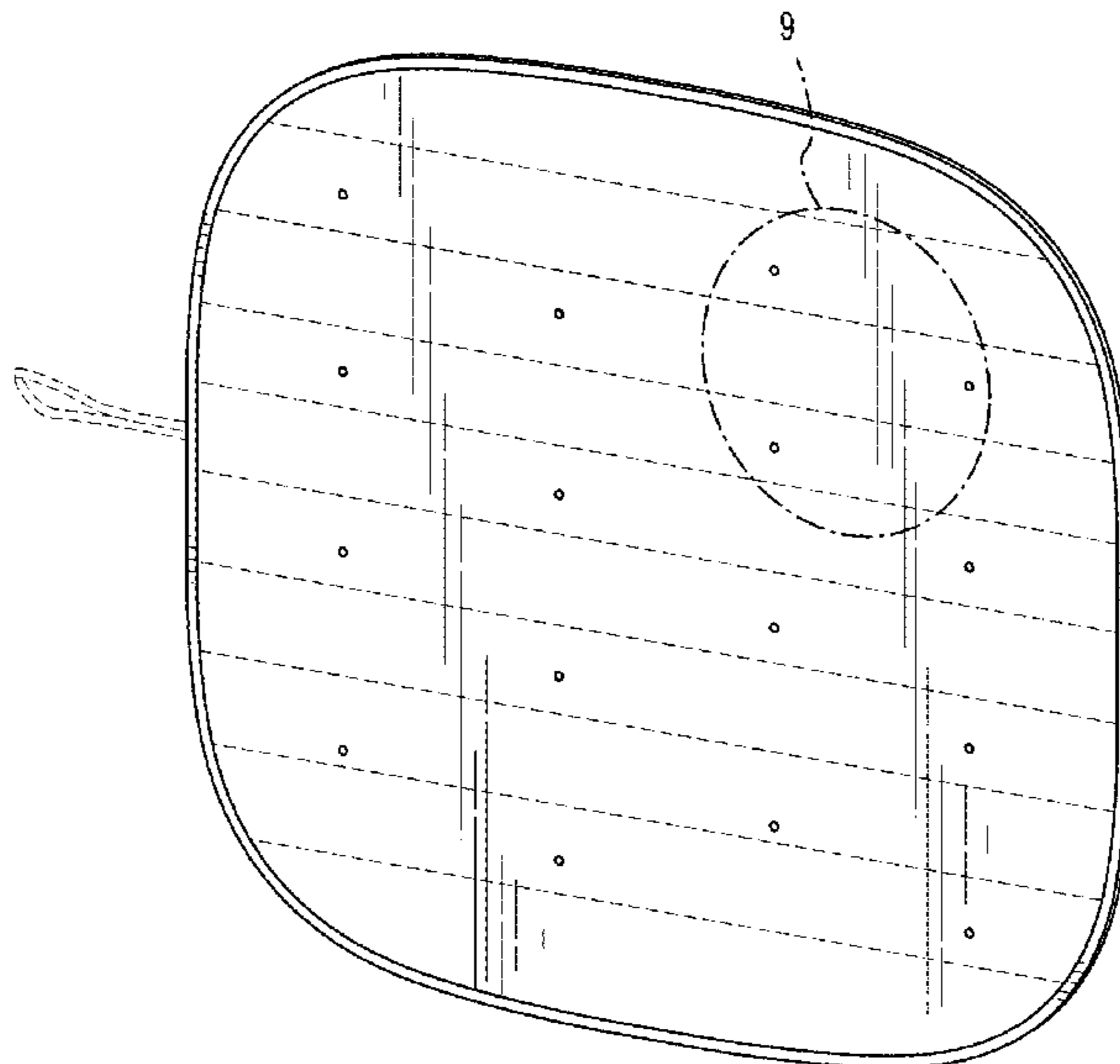
DESCRIPTION

FIG. 1 is a front perspective view of a sunshade showing our new design;
 FIG. 2 is a front view thereof;
 FIG. 3 is a rear view thereof;
 FIG. 4 is a top view thereof;
 FIG. 5 is a bottom view thereof;
 FIG. 6 is a left side view thereof;
 FIG. 7 is a right side view thereof;
 FIG. 8 is a close-up perspective view of the circled portion of the sunshade shown in FIG. 1;
 FIG. 9 is a close-up front view of the portion of the sunshade shown in FIG. 8, which portion is also circled in FIG. 2;
 FIG. 10 is a close-up top view of the portion of the sunshade shown in FIG. 8;
 FIG. 11 is a close-up bottom view of the portion of the sunshade shown in FIG. 8;
 FIG. 12 is a close-up left side view of the portion of the sunshade shown in FIG. 8; and,
 FIG. 13 is a close-up right side view of the portion of the sunshade shown in FIG. 8.

The broken lines showing a pattern and a handle illustrate portions of the sunshade that form no part of the claimed design.

The dash-dot broken lines in FIGS. 1-2 and 8-13 illustrate a boundary for a close-up view, which boundary forms no part of the claimed design.

1 Claim, 7 Drawing Sheets



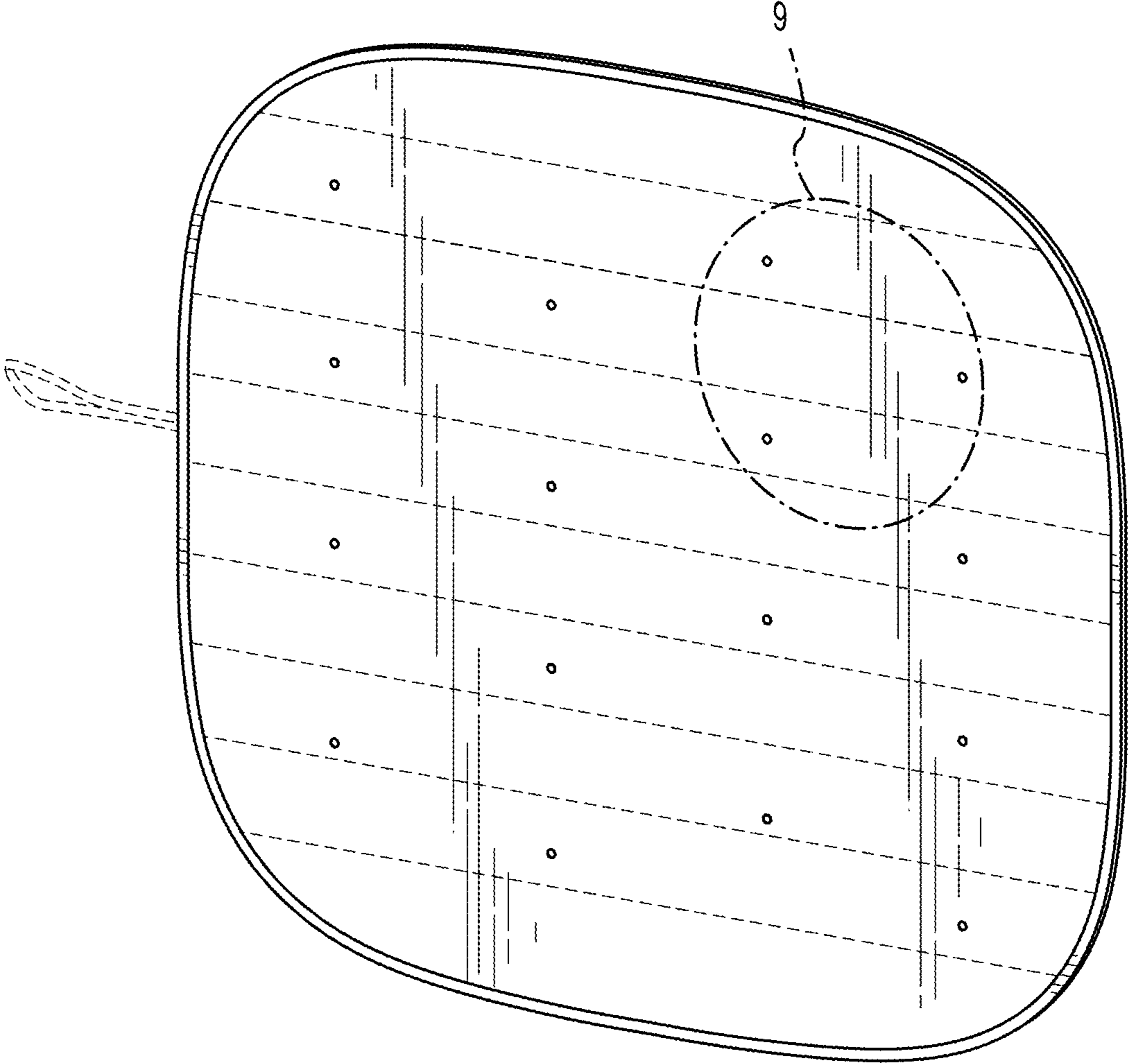


FIG. 1

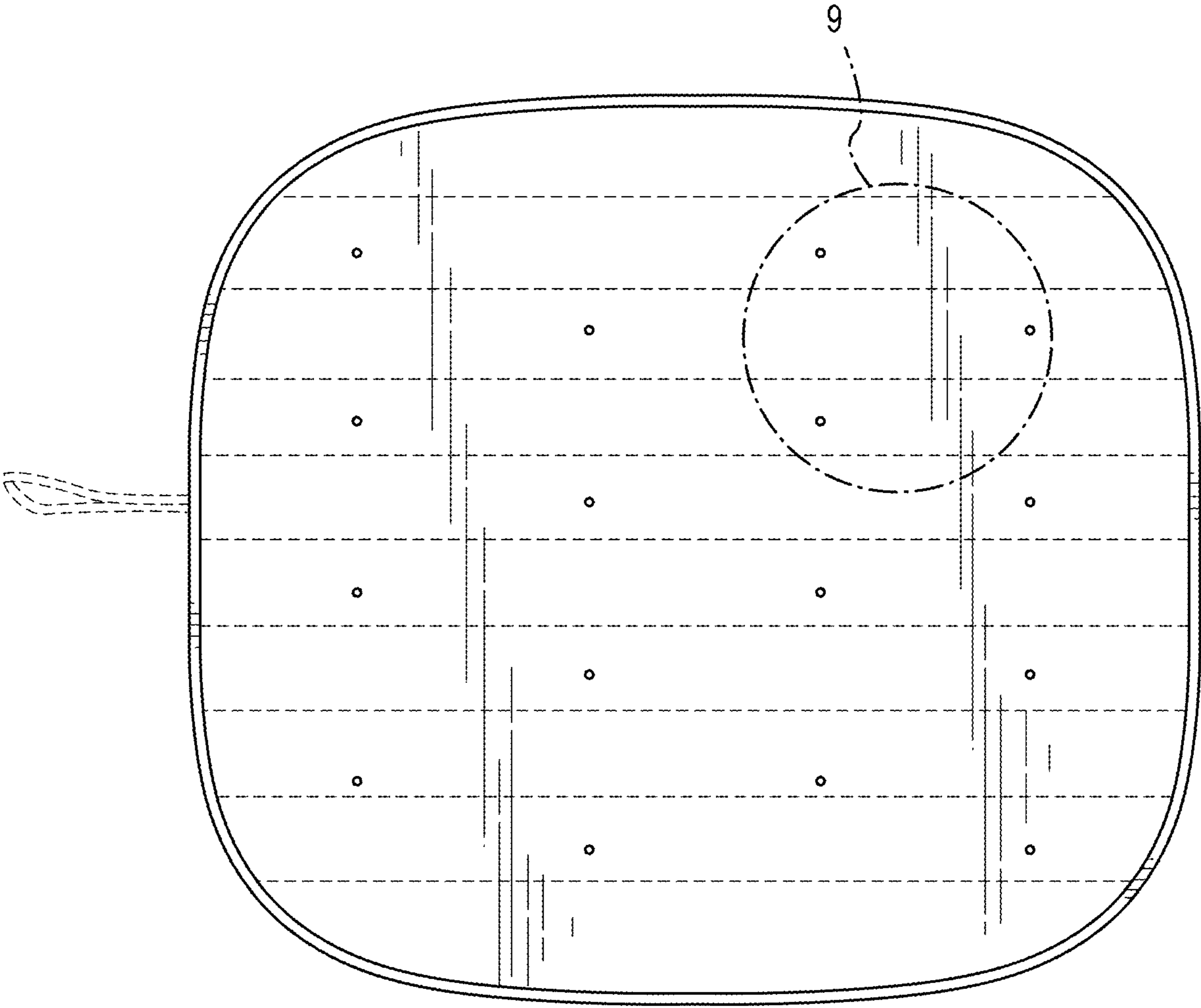


FIG.2

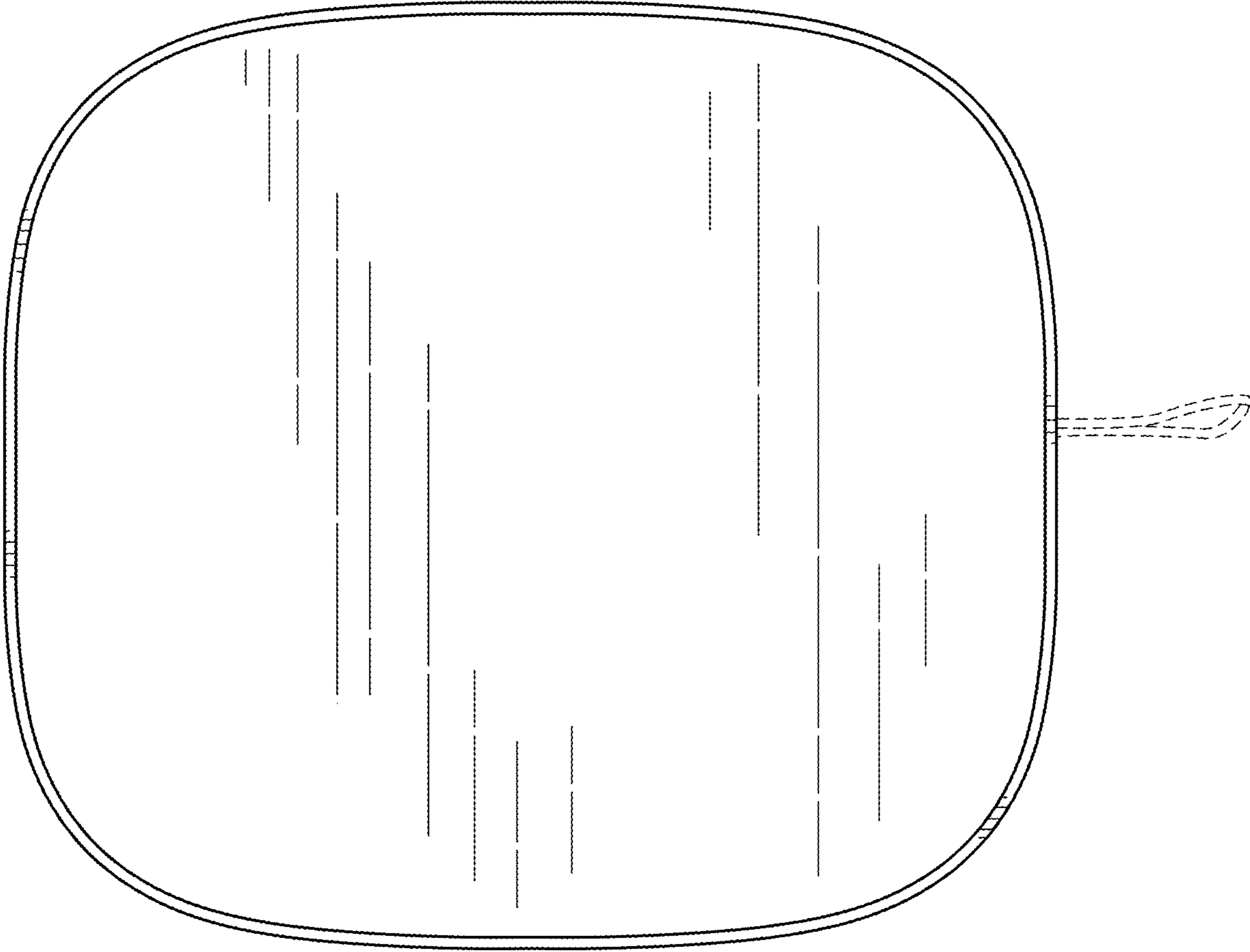


FIG.3

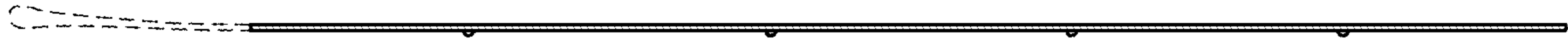


FIG. 4

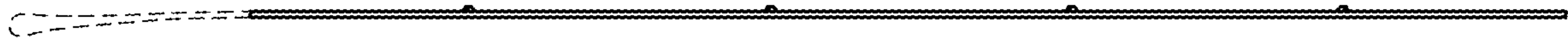


FIG. 5



FIG. 6



FIG. 7

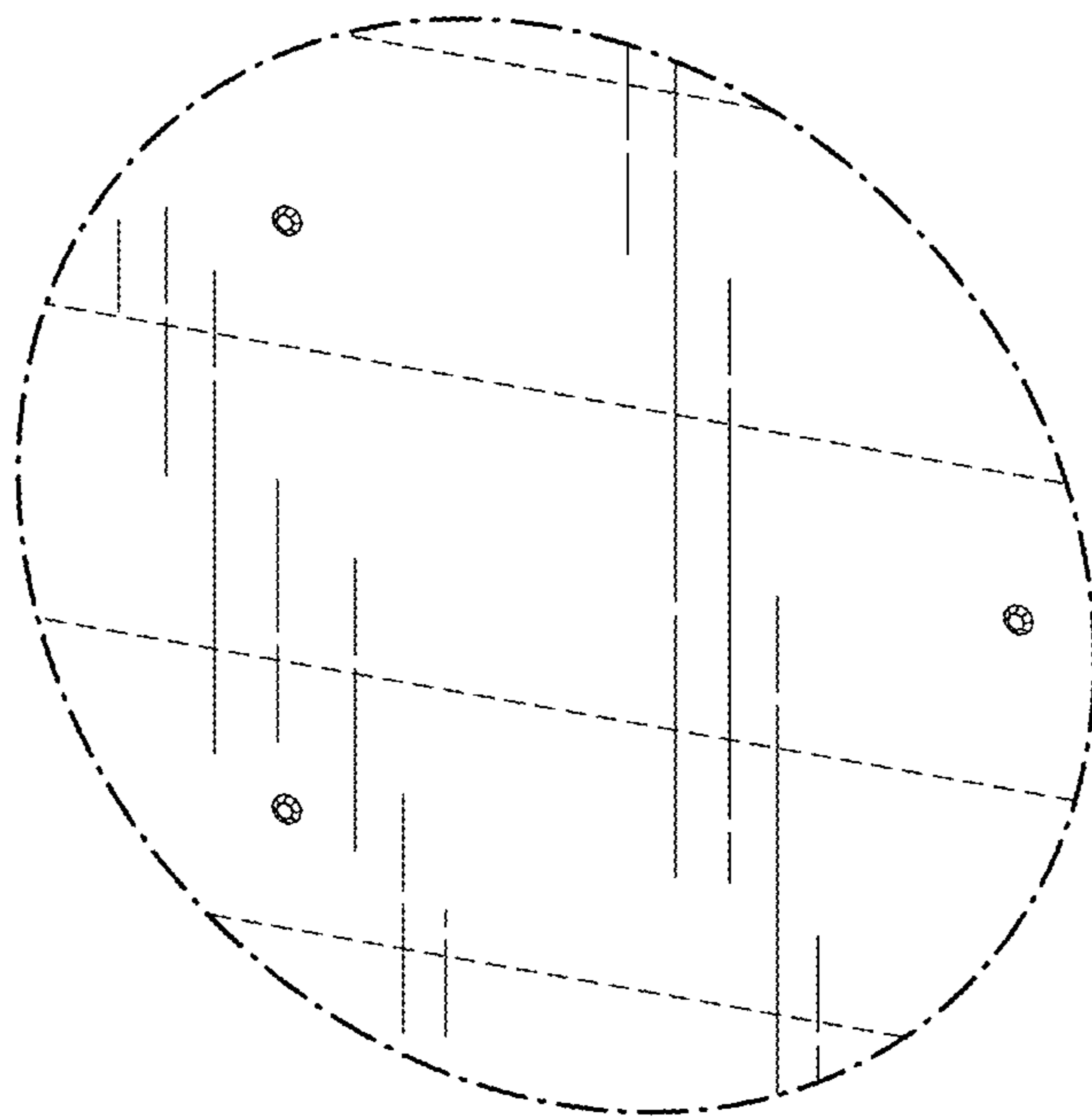


FIG.8

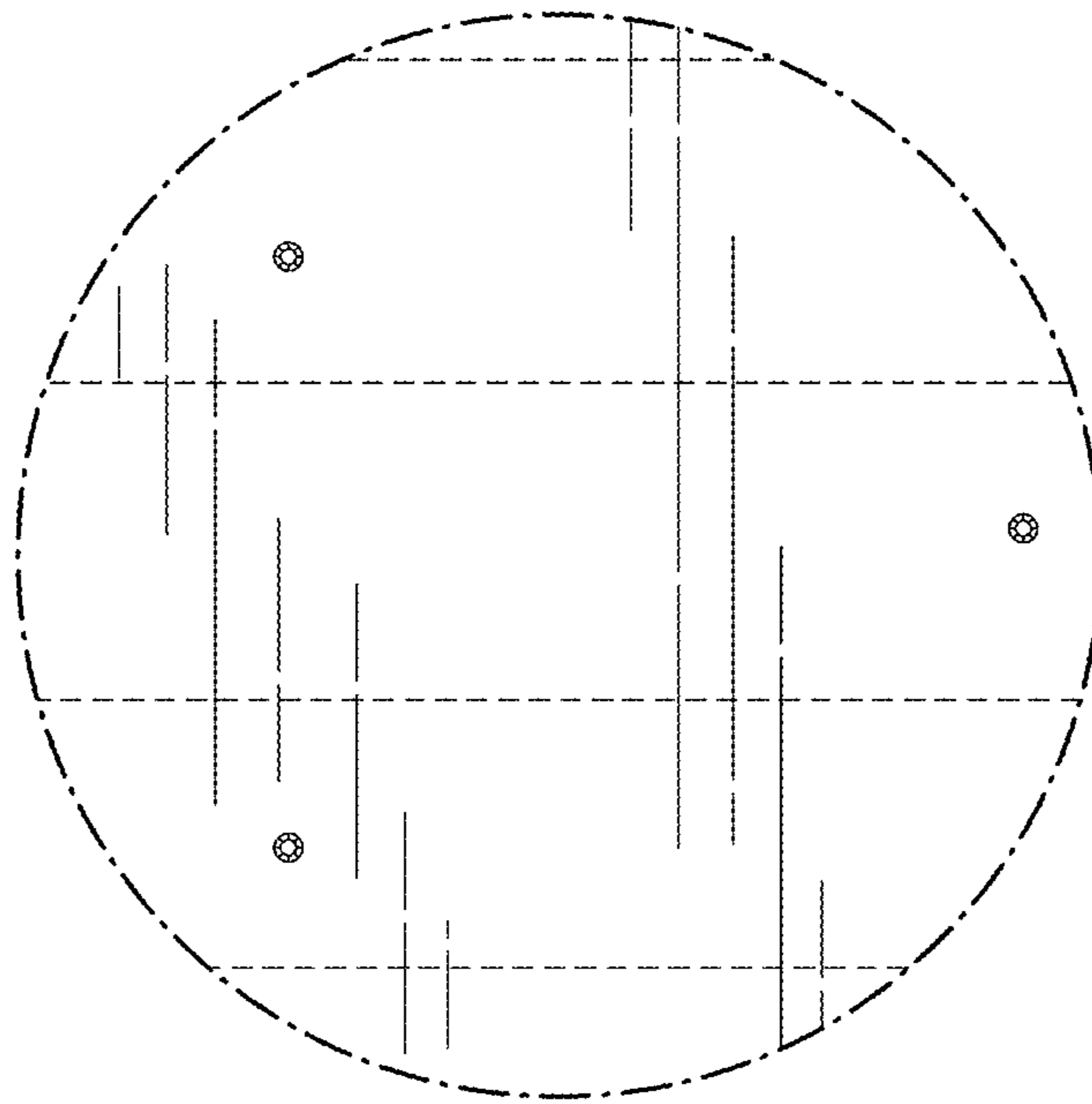


FIG.9

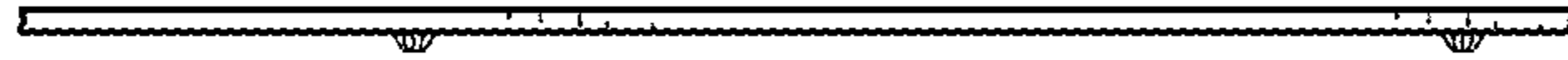


FIG.10

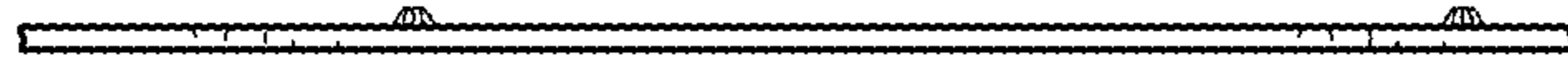


FIG.11



FIG.12



FIG.13