



US00D886691S

(12) **United States Design Patent**
Zhang

(10) **Patent No.:** **US D886,691 S**
(45) **Date of Patent:** **** Jun. 9, 2020**

- (54) **CAR FRONT GRILLE**
- (71) Applicant: **SHENZHEN SHIPIN SUPPLY CHAIN MANAGEMENT CO., LTD,**
Shenzhen (CN)
- (72) Inventor: **Wenyan Zhang,** Shanghai (CN)
- (73) Assignee: **SHENZHEN SHIPIN SUPPLY CHAIN MANAGEMENT CO., LTD,**
Shenzhen (CN)
- (**) Term: **15 Years**
- (21) Appl. No.: **29/721,739**
- (22) Filed: **Jan. 23, 2020**
- (51) **LOC (12) Cl.** **12-16**
- (52) **U.S. Cl.**
USPC **D12/163**
- (58) **Field of Classification Search**
USPC D12/86, 90, 91, 92, 163, 169, 196, 171,
D12/216; D15/31
CPC . B60R 19/52; B60R 2019/525; B60K 11/085;
B62D 25/084; H01Q 1/32
See application file for complete search history.

7,185,930 B2 *	3/2007	Helzner	B60R 1/078
				180/68.6
D542,192 S *	5/2007	Renkert	D12/163
D565,466 S *	4/2008	Moushegian	D12/91
D577,636 S *	9/2008	Saridakis	D12/163
D613,648 S *	4/2010	Wong	D12/163
D613,649 S *	4/2010	Wong	D12/163
D624,468 S *	9/2010	Wong	D12/163
D661,231 S *	6/2012	Galante	D12/163
D713,308 S *	9/2014	Galante	D12/196
D733,619 S *	7/2015	Glover	D12/163
D736,123 S *	8/2015	Hammoud	D12/163
D738,799 S *	9/2015	Goepfel	D12/169
D746,731 S *	1/2016	Quezada	D12/163
D749,995 S *	2/2016	Azadi	D12/163
D775,014 S *	12/2016	Higgs	D12/170
D800,226 S *	10/2017	Zeng	D21/433
D822,548 S	7/2018	Platto et al.		
D823,181 S	7/2018	Bucher et al.		
D823,186 S	7/2018	Platto et al.		

(Continued)

Primary Examiner — Darlington Ly

(57) **CLAIM**

The ornamental design for a car front grille, as shown and described.

DESCRIPTION

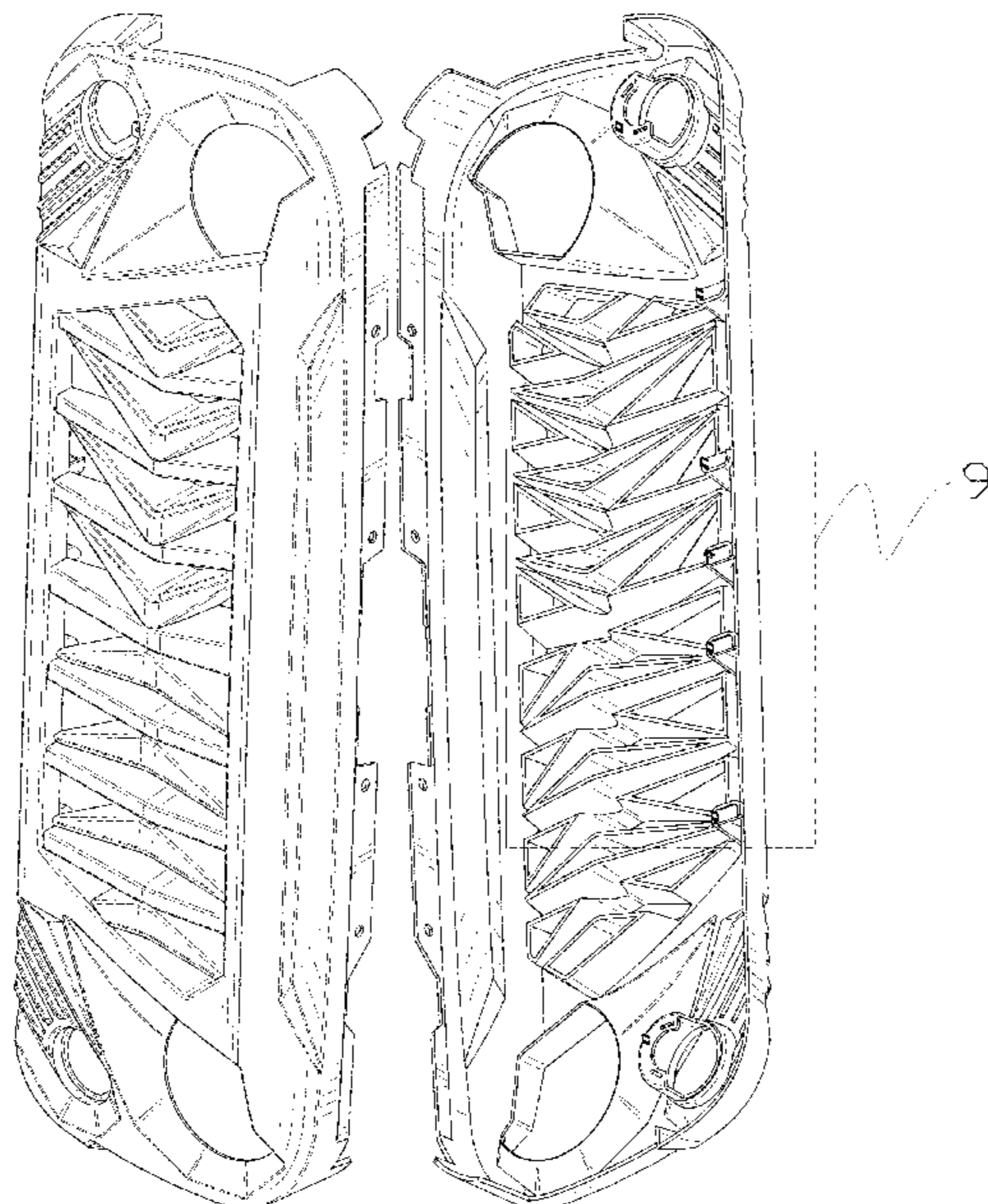
FIG. 1 is a front perspective view of a car front grille showing my new design;
 FIG. 2 is a rear perspective view thereof;
 FIG. 3 is a front elevational view thereof;
 FIG. 4 is a rear elevational view thereof;
 FIG. 5 is a left side elevational view thereof;
 FIG. 6 is a right side elevational view thereof;
 FIG. 7 is a top plan view thereof;
 FIG. 8 is a bottom plan view thereof;
 FIG. 9 is an enlarged view of portion 9 shown in FIG. 2; and,
 FIG. 10 is an enlarged view of portion 10 shown in FIG. 4.

1 Claim, 10 Drawing Sheets

(56) **References Cited**

U.S. PATENT DOCUMENTS

D253,193 S *	10/1979	Pauly	D21/548
4,173,095 A *	11/1979	Pauly	A63H 17/00
				446/470
D324,018 S *	2/1992	Ueno	D12/170
D424,992 S *	5/2000	Faurote	D12/163
D464,087 S *	10/2002	Wu	D21/433
D497,572 S *	10/2004	Widmann	D12/91
D519,066 S *	4/2006	Ney	D12/163
D521,424 S *	5/2006	Sackley	D12/163
D534,106 S *	12/2006	Matei	D12/169
D534,458 S *	1/2007	Renkert	D12/91



(56)

References Cited

U.S. PATENT DOCUMENTS

2006/0157993 A1* 7/2006 Pendarvis B60R 19/24
293/132
2006/0225934 A1* 10/2006 Fobean B62D 25/10
180/69.21
2009/0267364 A1* 10/2009 Crainic B60R 19/50
293/117

* cited by examiner

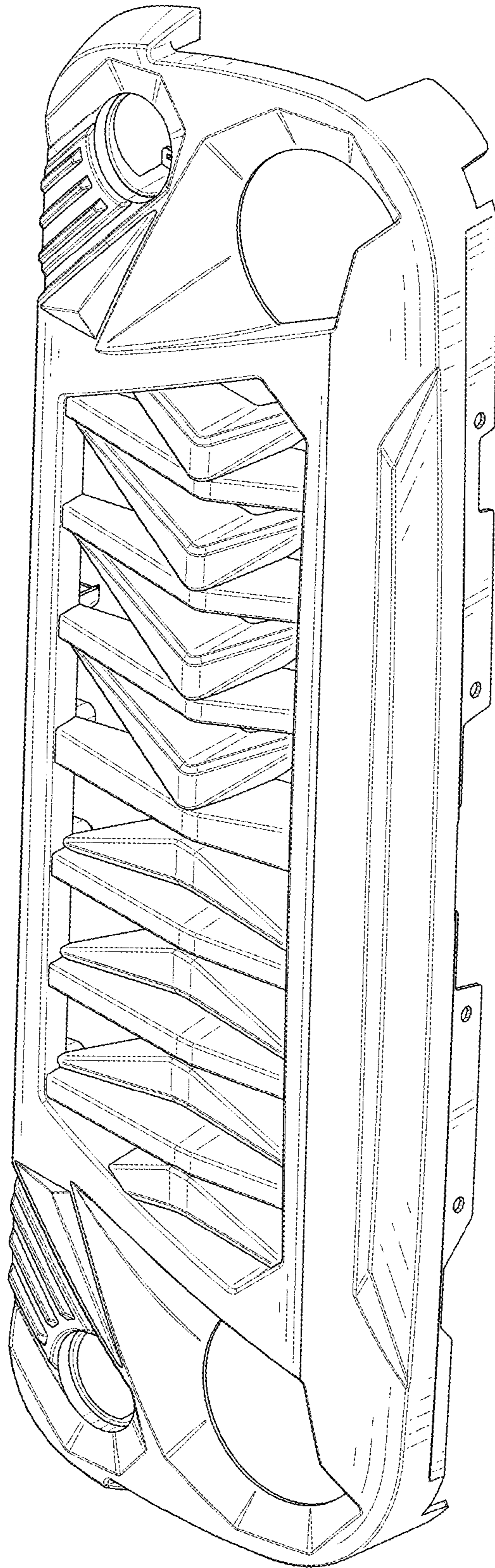


FIG. 1

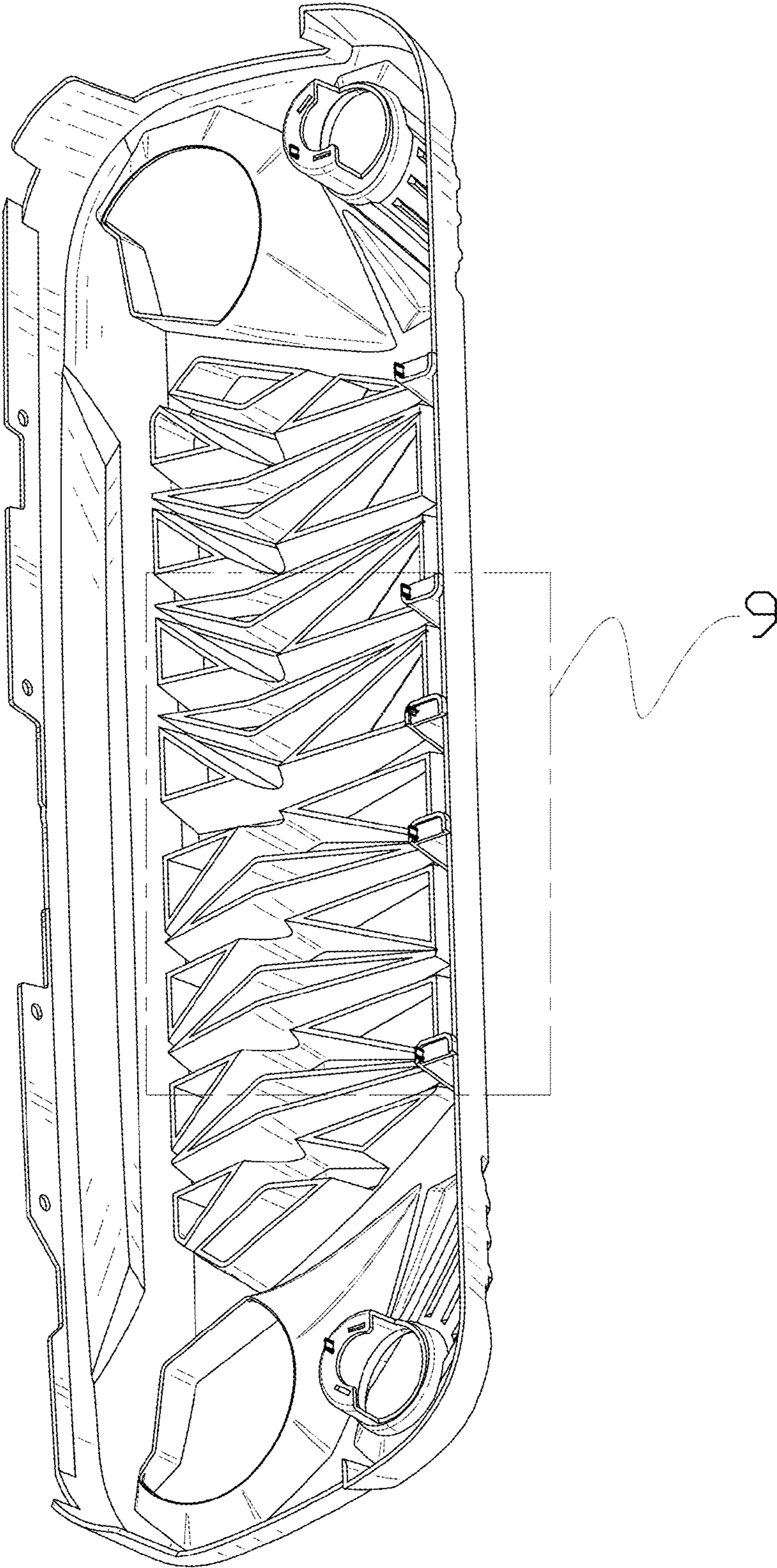


FIG. 2

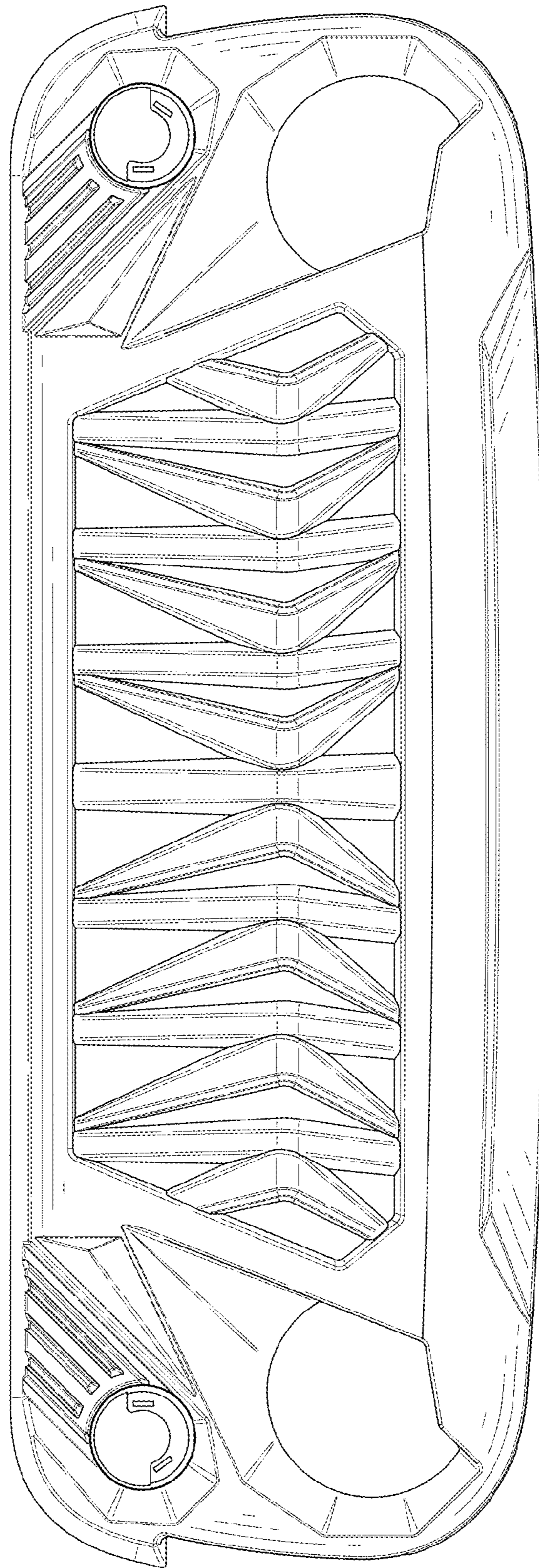


FIG. 3

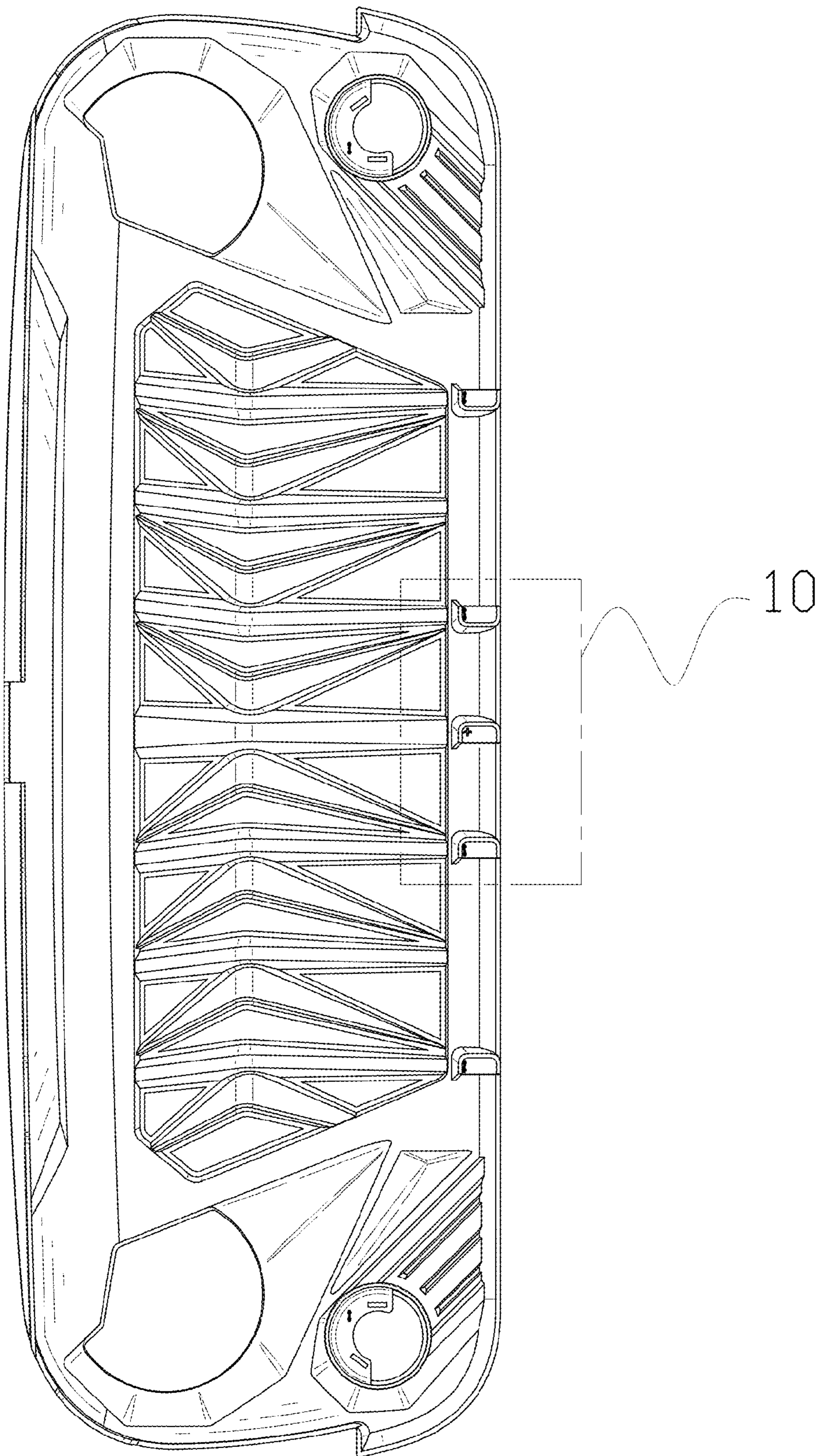


FIG. 4

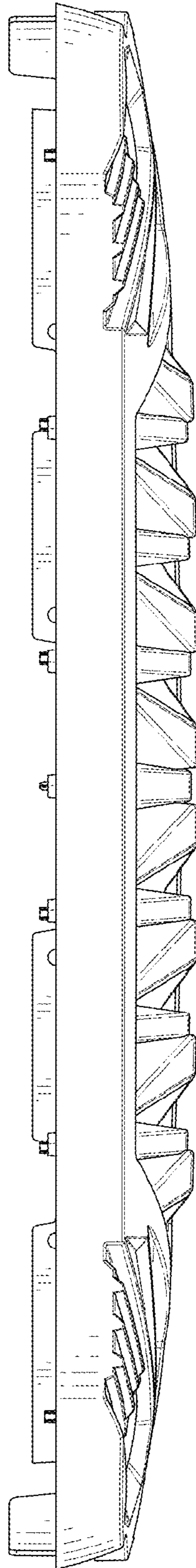


FIG. 5

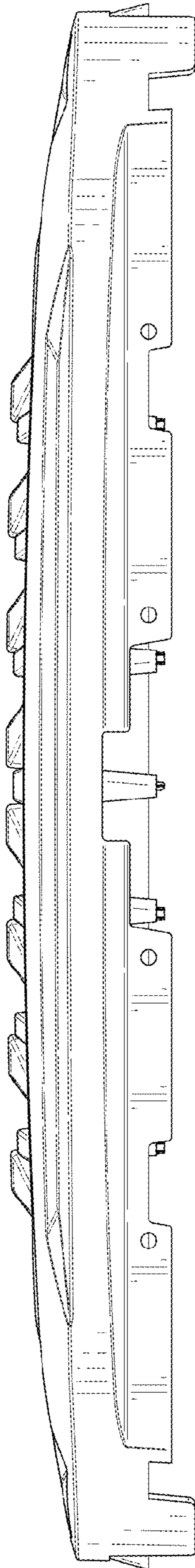


FIG. 6

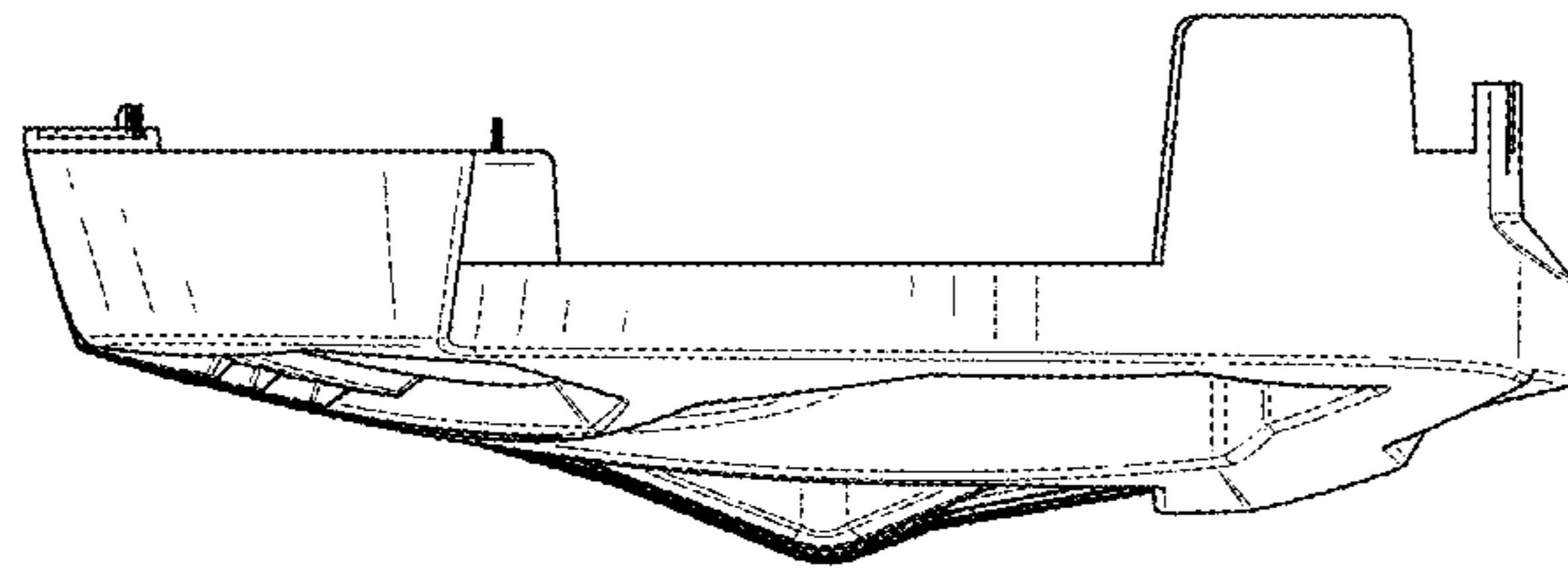


FIG. 7

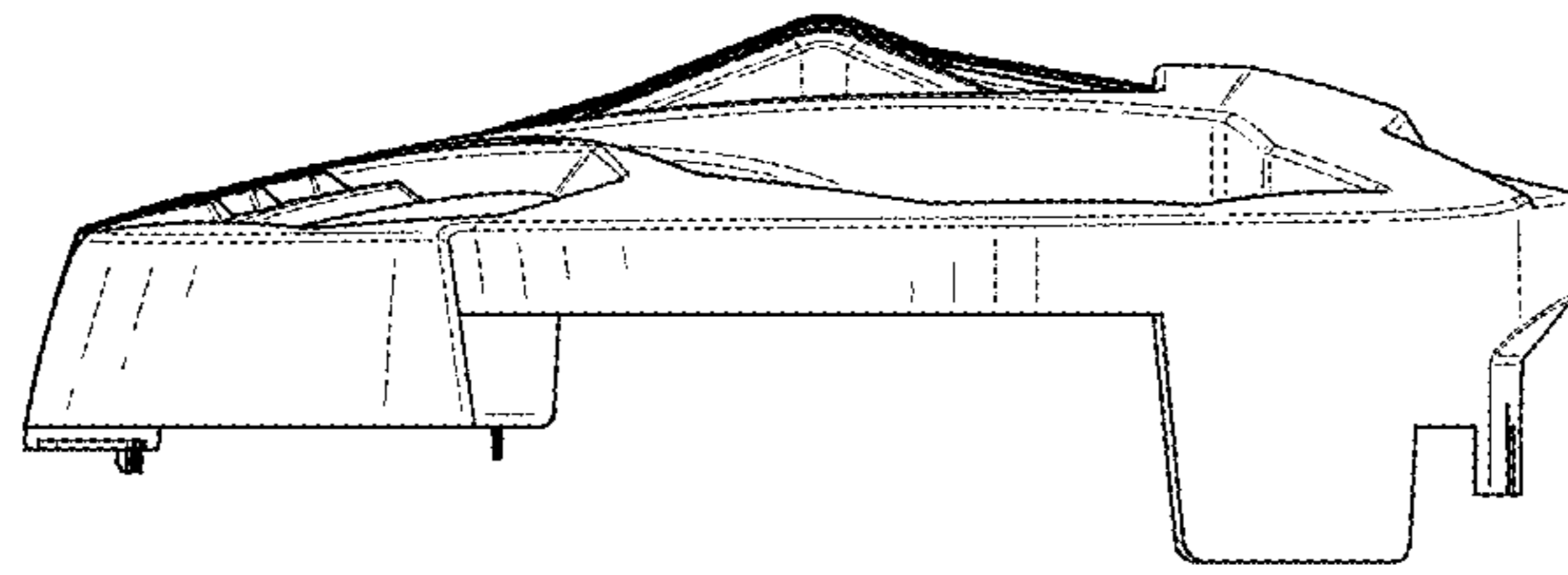


FIG. 8

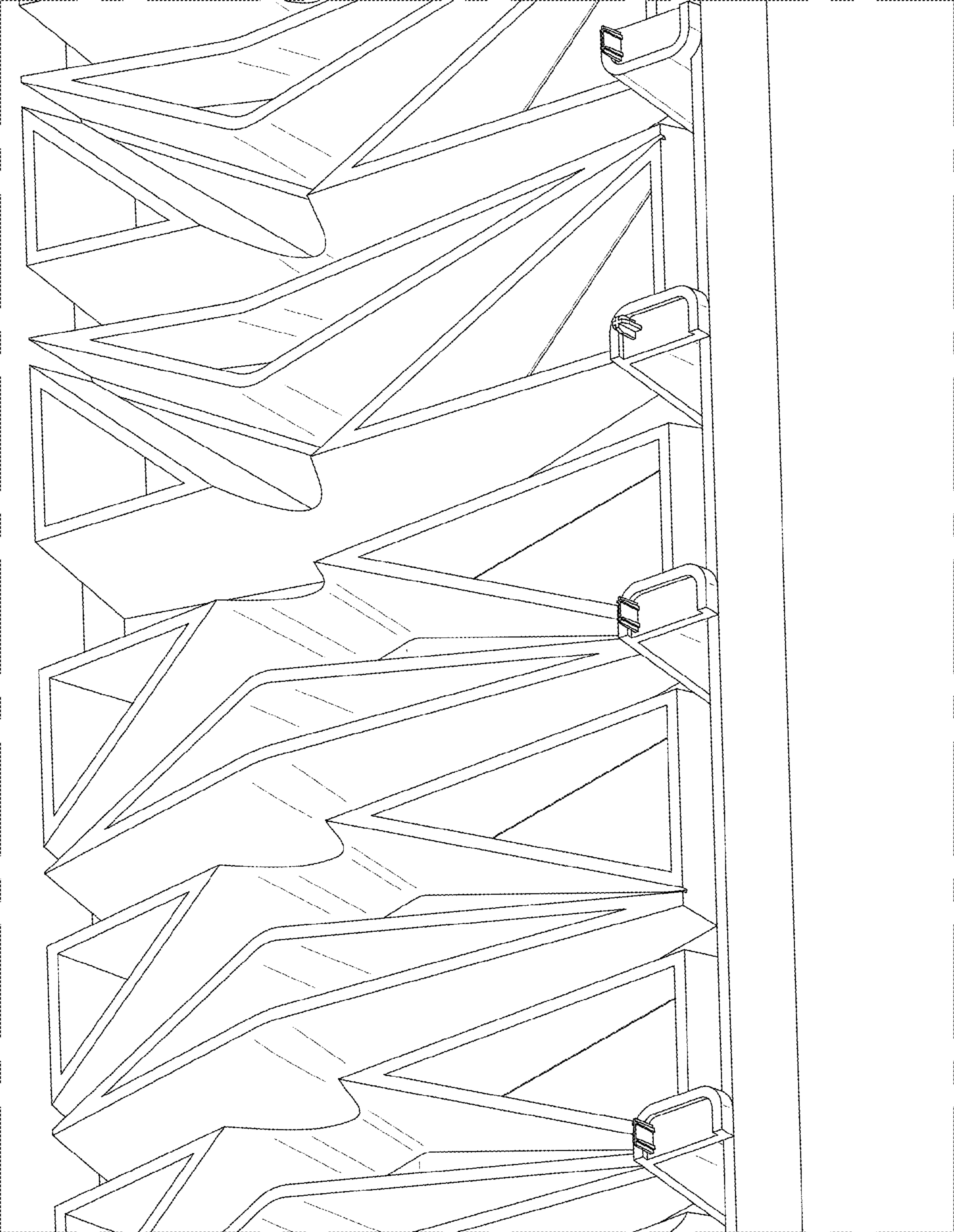


FIG. 9

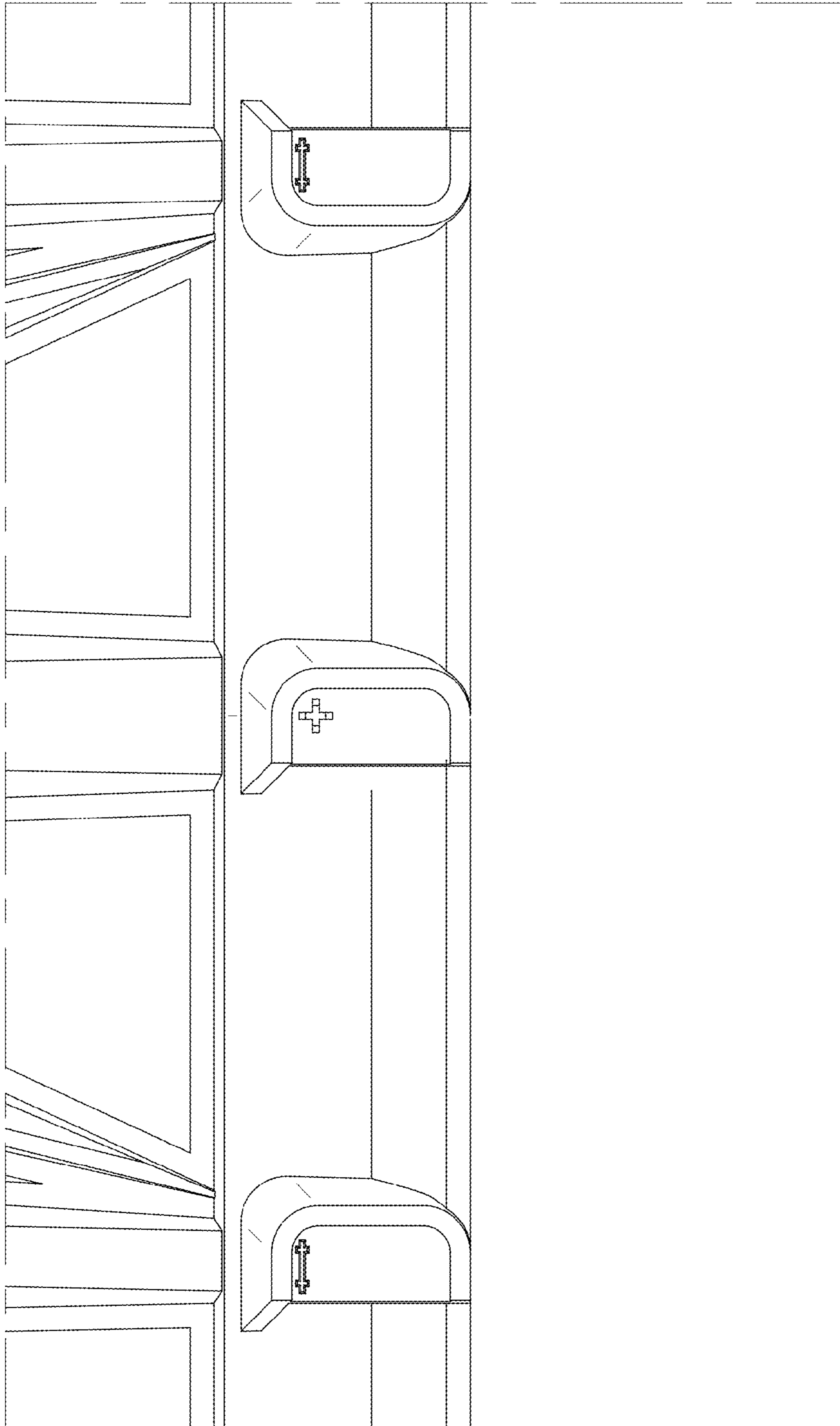


FIG. 10