



US00D886686S

(12) **United States Design Patent** (10) **Patent No.:** **US D886,686 S**
Uimonen et al. (45) **Date of Patent:** **** Jun. 9, 2020**

(54) **BIKE FRAME**
(71) Applicant: **MOBILITY HOLDINGS, LIMITED,**
Causeway Bay (HK)
(72) Inventors: **Joakim Uimonen,** Causeway Bay
(HK); **Eric Yi-Hung Lin,** Causeway
Bay (HK)
(73) Assignee: **MOBILITY HOLDINGS, LIMITED,**
Causeway Bay (HK)
(**) Term: **15 Years**
(21) Appl. No.: **29/675,580**
(22) Filed: **Jan. 3, 2019**

Related U.S. Application Data

(62) Division of application No. 29/599,244, filed on Mar.
31, 2017, now Pat. No. Des. 842,761.
(51) **LOC (12) Cl.** **12-11**
(52) **U.S. Cl.**
USPC **D12/111**
(58) **Field of Classification Search**
USPC D12/111, 117; D21/412, 414, 419,
D21/423-428, 431-435
CPC B62K 3/00; B62K 3/02; B62K 3/06
See application file for complete search history.

References Cited

U.S. PATENT DOCUMENTS

D195,019 S * 4/1963 Schreckengost D12/111
D216,538 S * 2/1970 Hill et al. D12/111
D235,249 S * 6/1975 Kitsuda D12/111
D384,307 S * 9/1997 Fisher D12/111
D386,451 S * 11/1997 Liao D12/111
6,845,998 B2 * 1/2005 Probst B62K 25/286
280/275
6,953,202 B2 * 10/2005 Chamberlain B62K 3/04
280/281.1

D533,811 S * 12/2006 Hoisington D12/111
D610,047 S * 2/2010 Uimonen D12/111
D622,638 S * 8/2010 Uimonen D12/111
D626,037 S * 10/2010 Thetard D12/111
D632,615 S * 2/2011 Uimonen D12/111
D651,539 S * 1/2012 Thetard D12/111
D662,445 S * 6/2012 Uimonen D12/111
D665,708 S * 8/2012 Uimonen D12/111
D666,536 S * 9/2012 Uimonen D12/111
D666,946 S * 9/2012 Uimonen D12/111
D670,208 S * 11/2012 Frenzel D12/111
D690,238 S * 9/2013 Uimonen D12/111
D690,239 S * 9/2013 Uimonen D12/111
D693,739 S * 11/2013 Uimonen D12/111
D721,014 S * 1/2015 Kahler, Jr. D12/111
9,371,105 B2 * 6/2016 Chou B62K 3/02
D774,966 S * 12/2016 Finbow D12/111

* cited by examiner

Primary Examiner — Darlington Ly

(74) *Attorney, Agent, or Firm* — Muncy, Geissler, Olds &
Lowe, P.C.

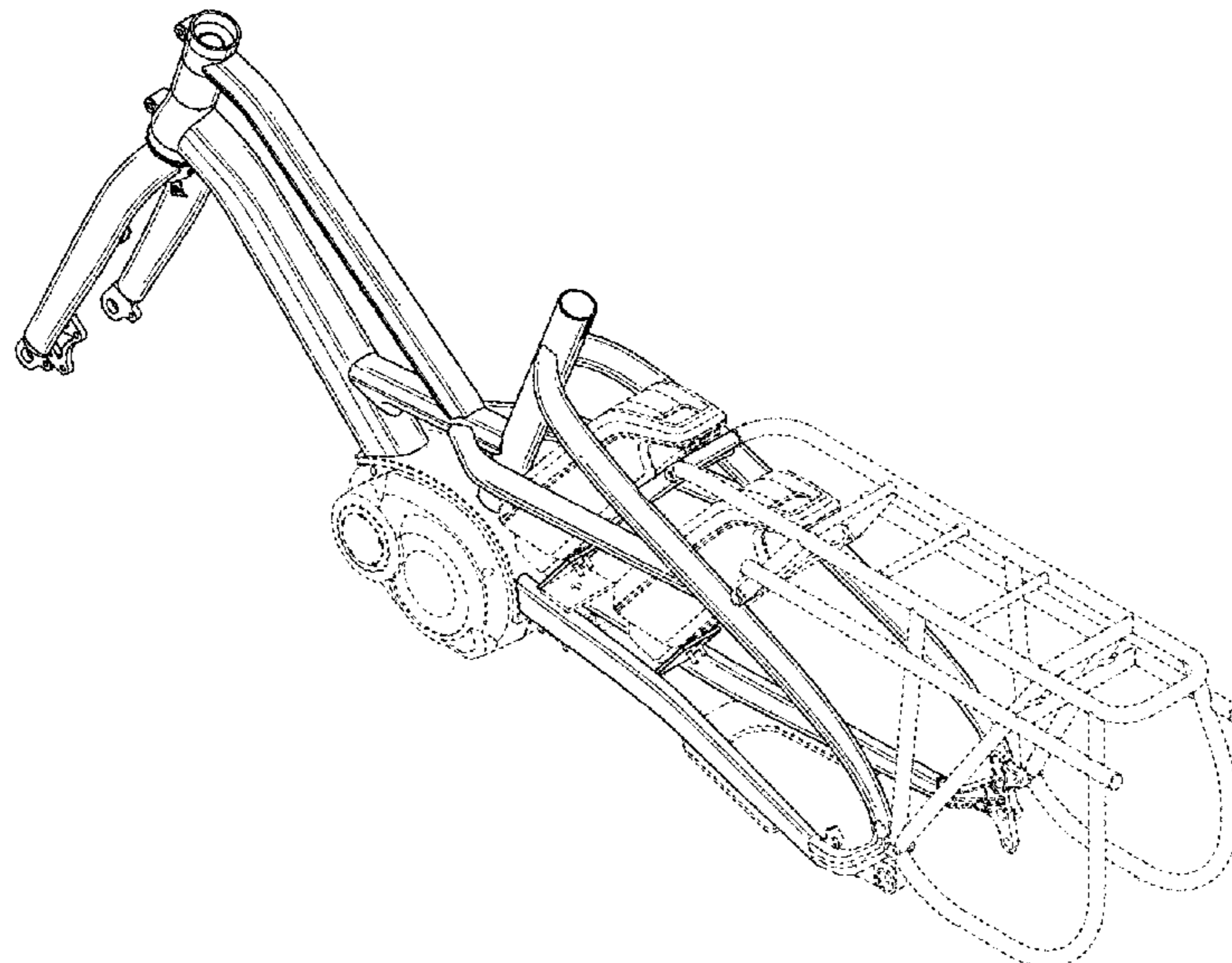
(57) **CLAIM**

We claim the ornamental design for a bike frame, as shown
and described.

DESCRIPTION

FIG. 1 is a top, rear, and left side perspective view of a bike
frame showing our new design;
FIG. 2 is a left side elevational view thereof
FIG. 3 is a right side elevational view thereof;
FIG. 4 is a front elevational view thereof
FIG. 5 is a rear elevational view thereof;
FIG. 6 is a top plan view thereof; and,
FIG. 7 is a bottom plan view thereof.
The broken lines in the drawings illustrate portions of the
bike frame and environmental structures that form no part of
the claimed design.

1 Claim, 6 Drawing Sheets



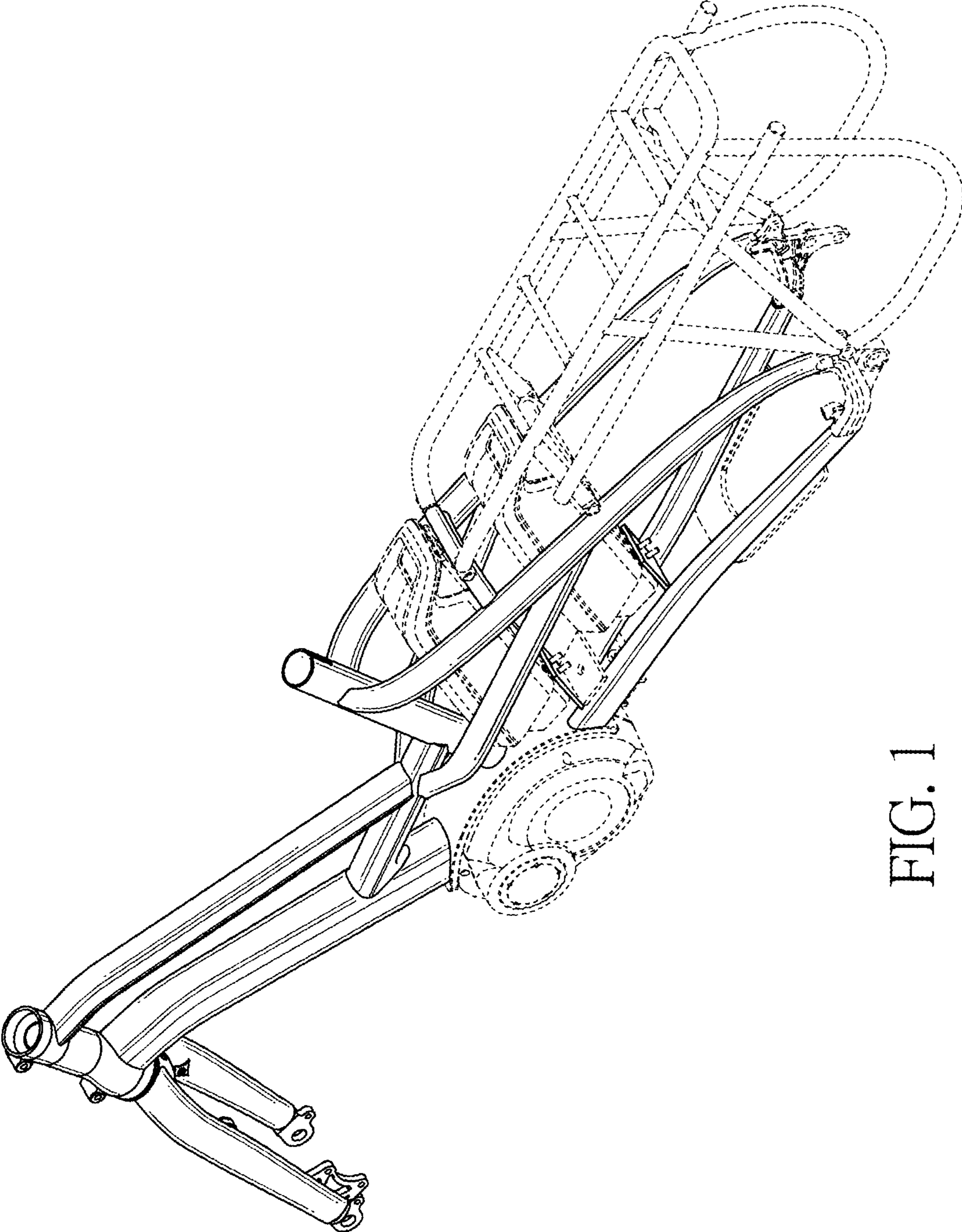


FIG. 1

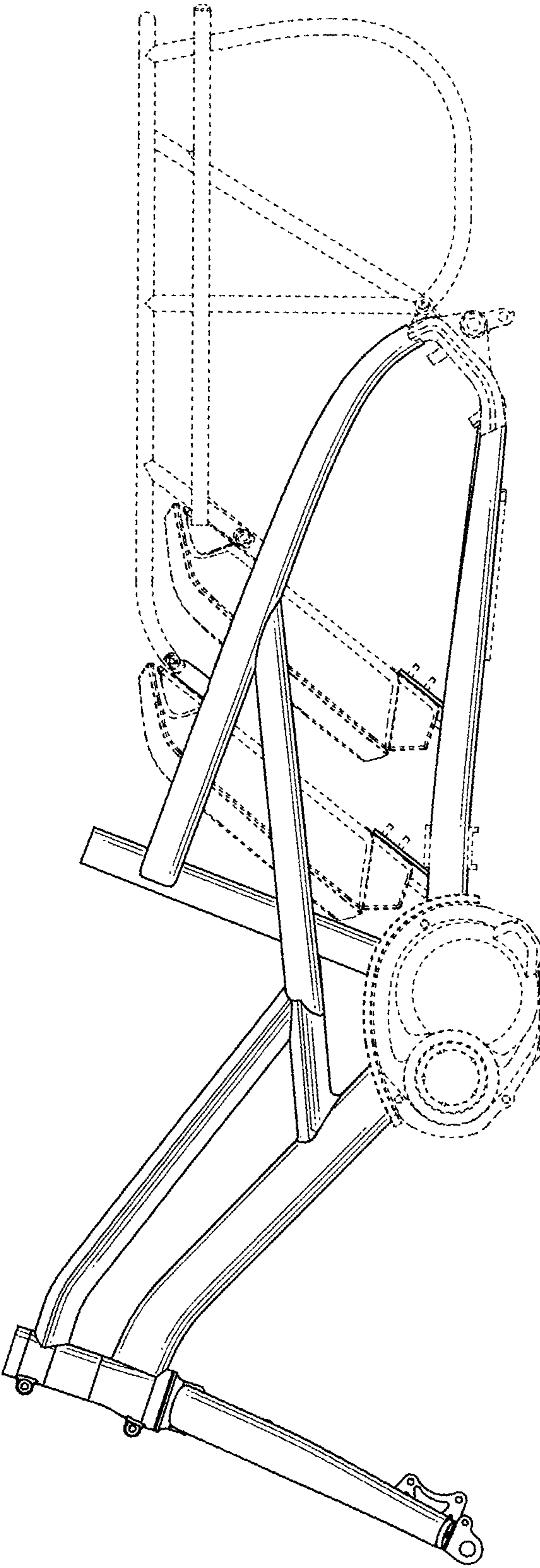


FIG. 2

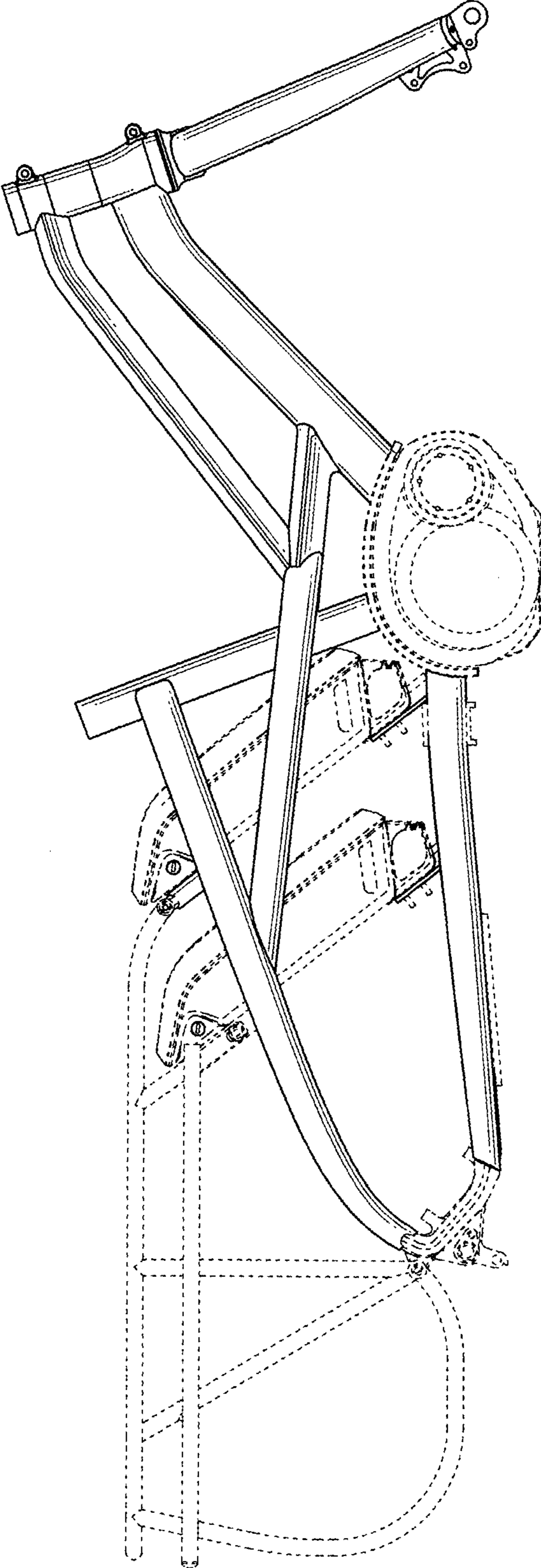


FIG. 3

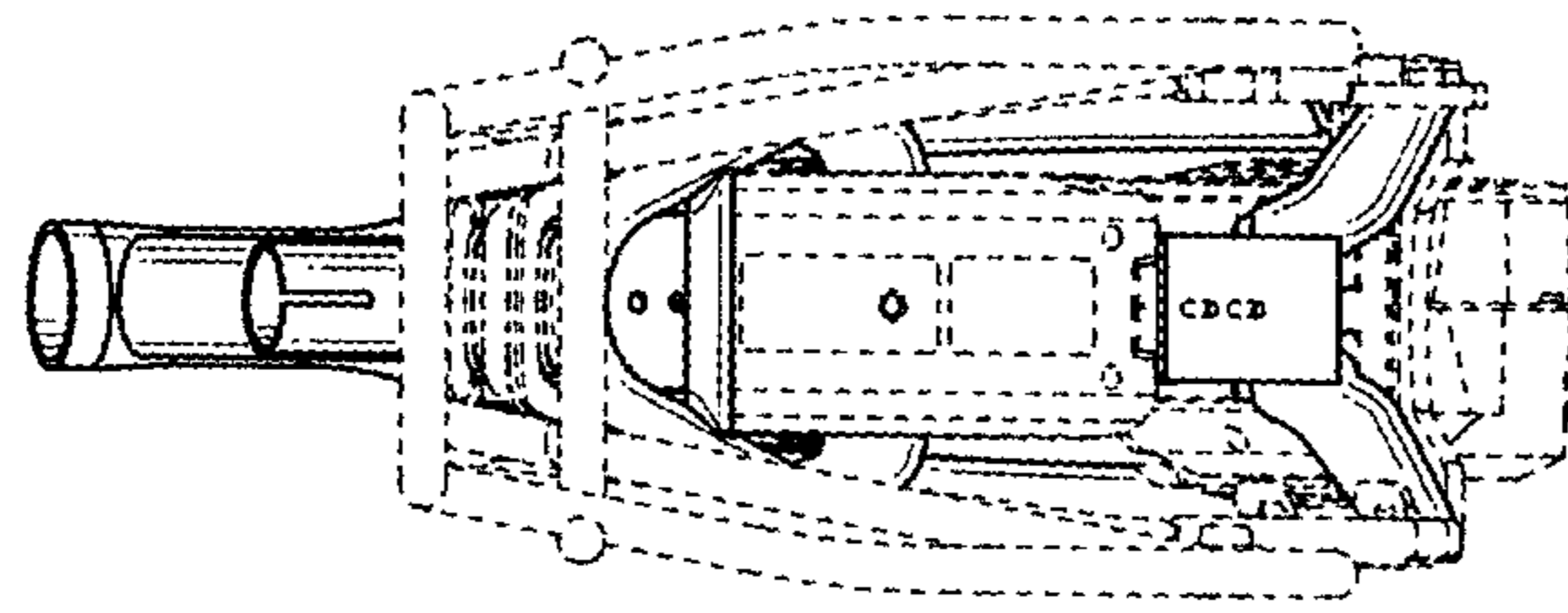


FIG. 5

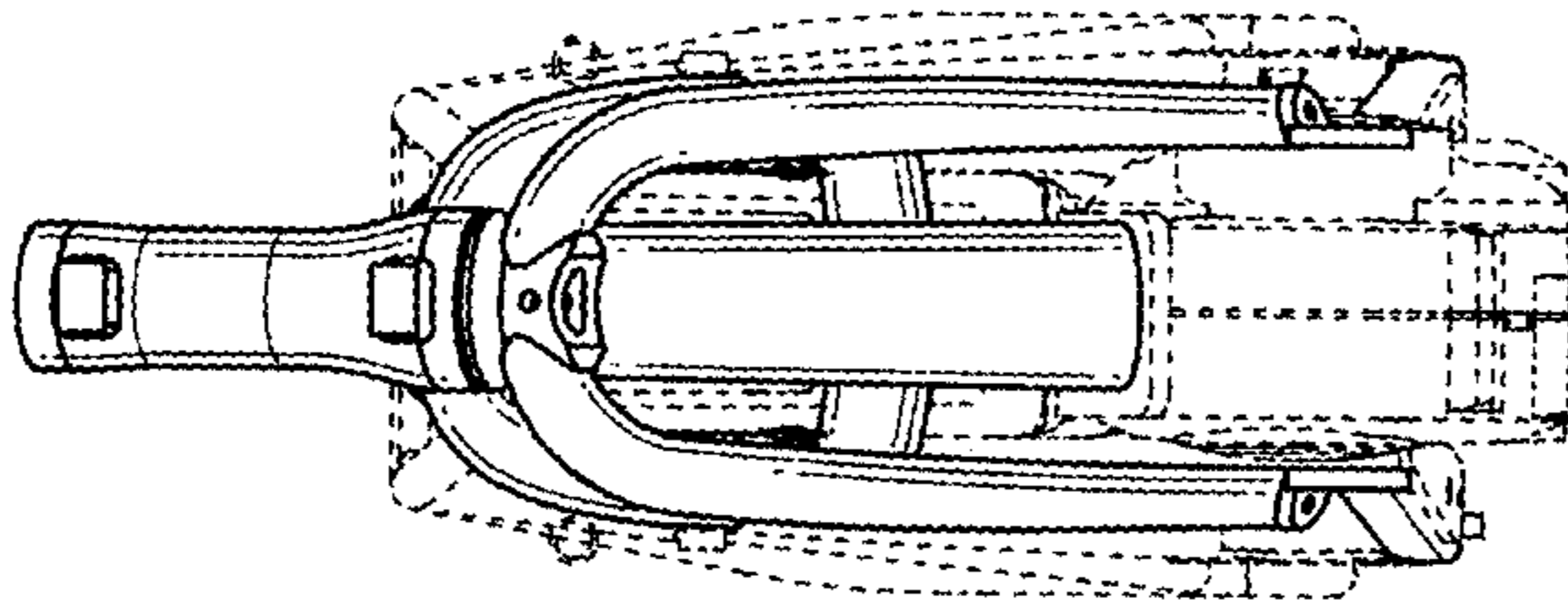


FIG. 4

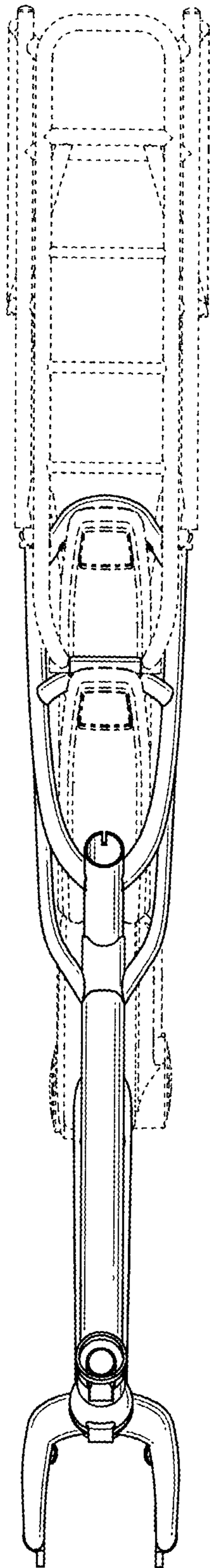


FIG. 6

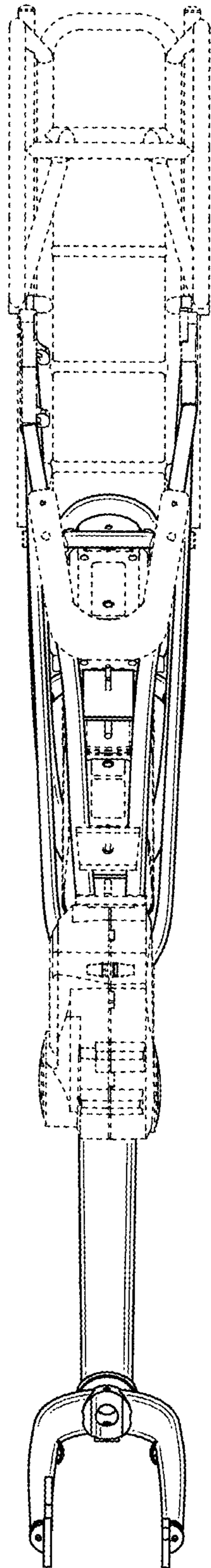


FIG. 7