



US00D886683S

(12) **United States Design Patent**
Hong

(10) **Patent No.:** **US D886,683 S**
(45) **Date of Patent:** **** Jun. 9, 2020**

- (54) **BABY TRAILER CONNECTOR**
- (71) Applicant: **Shenzhen Heibaihong Electronic Commerce Co., Ltd., Shenzhen (CN)**
- (72) Inventor: **Teng-Hui Hong, Shenzhen (CN)**
- (73) Assignee: **Shenzhen Heibaihong Electronic Commerce Co., Ltd., Shenzhen (CN)**
- (**) Term: **15 Years**

D485,159	S	*	1/2004	Junkers	D8/382
D588,902	S	*	3/2009	Carnevali	D8/354
D712,732	S	*	9/2014	Andrews	D8/396
D739,959	S	*	9/2015	Baker	D25/102
D774,423	S	*	12/2016	Greenblatt	D12/115
D797,001	S	*	9/2017	Liu	D12/106
D801,415	S	*	10/2017	Howry	D16/242
D856,125	S	*	8/2019	Milner	D8/396
D873,179	S	*	1/2020	McCuskey	D12/106
D873,180	S	*	1/2020	McCuskey	D12/106
D873,721	S	*	1/2020	Nagano	D12/114
2004/0145147	A1	*	7/2004	Asbury	B62K 13/02 280/204

(Continued)

- (21) Appl. No.: **29/650,787**
- (22) Filed: **Jun. 8, 2018**
- (51) **LOC (12) Cl.** **12-10**
- (52) **U.S. Cl.**
USPC **D12/106; D12/223; D12/114**
- (58) **Field of Classification Search**
USPC D8/349, 354, 382, 396; D12/106, 114,
D12/115, 117, 113, 223, 129, 133
CPC B62K 27/10; B62K 27/12; B62K 27/14;
B62K 27/003; B62B 7/126; B62B 7/142
See application file for complete search history.

Primary Examiner — Sandra S Snapp
Assistant Examiner — Ieisha N Price
 (74) *Attorney, Agent, or Firm* — ScienBiziP, P.C.

(57) **CLAIM**

The ornamental design for a baby trailer connector, as shown and described.

DESCRIPTION

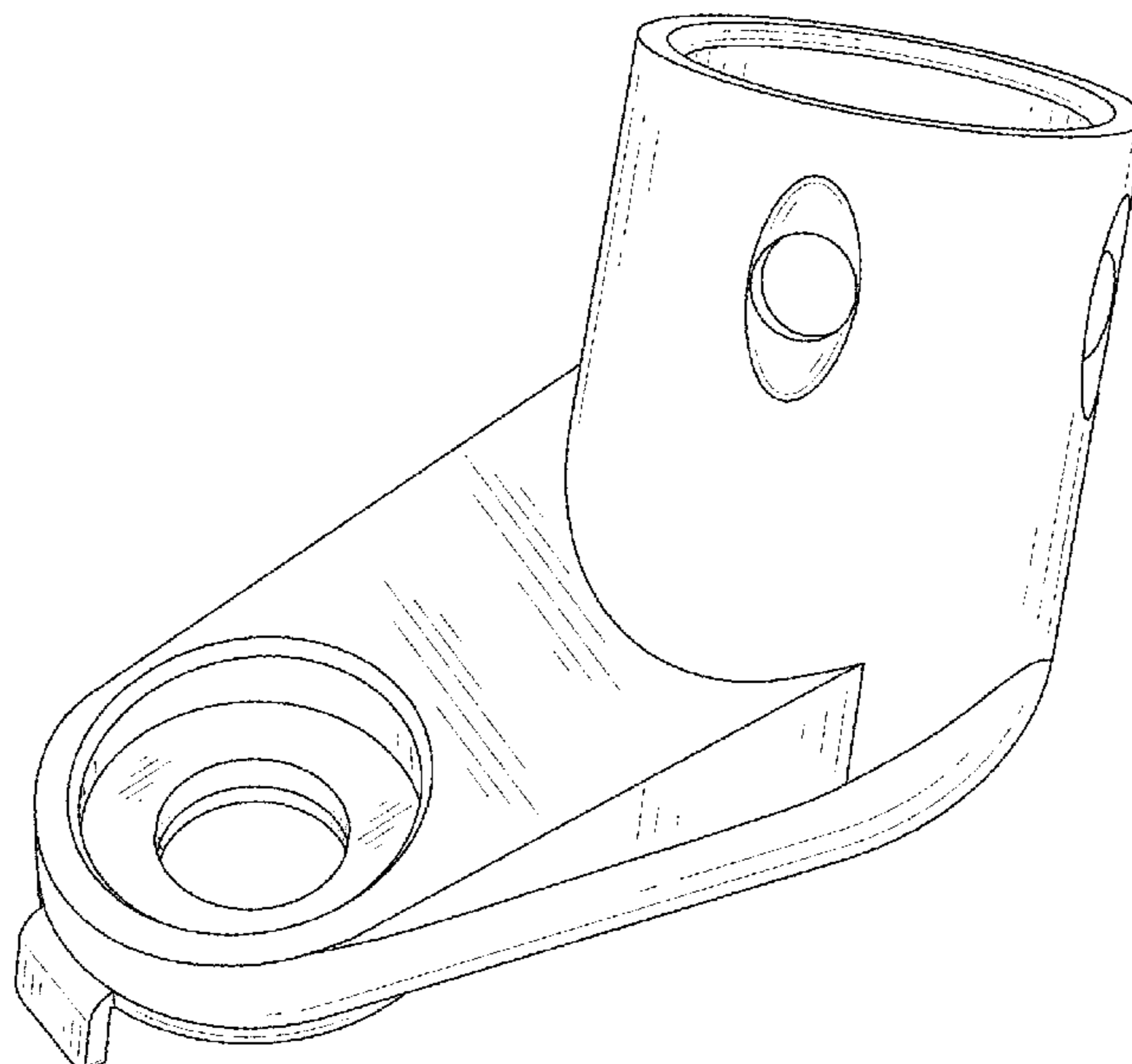
FIG. 1 is a front perspective view of a baby trailer connector showing the claimed new design;
 FIG. 2 is a rear perspective view of the baby trailer connector of FIG. 1;
 FIG. 3 is a front elevation view of the baby trailer connector of FIG. 1;
 FIG. 4 is a rear elevation view of the baby trailer connector of FIG. 1;
 FIG. 5 is a left side elevation view of the baby trailer connector of FIG. 1;
 FIG. 6 is a right side elevation view of the baby trailer connector of FIG. 1;
 FIG. 7 is a top plan view of the baby trailer connector of FIG. 1; and,
 FIG. 8 is a bottom plan view of the baby trailer connector of FIG. 1.

(56) **References Cited**

U.S. PATENT DOCUMENTS

D247,738	S	*	4/1978	Rynearson	D8/354
D310,016	S	*	8/1990	Johansson	248/640
D318,607	S	*	7/1991	Reid	D8/363
D351,575	S	*	10/1994	Fenton	D12/102
D373,720	S	*	9/1996	Hirano	D8/382
D396,835	S	*	8/1998	Roddy	D12/114
6,155,582	A	*	12/2000	Bourbeau	B62K 13/02 280/204
6,193,252	B1	*	2/2001	Lin	B62B 7/12 280/204
6,349,955	B1	*	2/2002	Cottard	B62K 27/12 280/204
D454,295	S	*	3/2002	Hallgrimsson	D8/380
D479,117	S	*	9/2003	Mercier	D8/354

1 Claim, 8 Drawing Sheets



(56)

References Cited

U.S. PATENT DOCUMENTS

2008/0122199 A1* 5/2008 Cearns B60D 1/52
280/490.1
2010/0135716 A1* 6/2010 Shalaby B62K 27/12
403/110
2012/0200059 A1* 8/2012 Rodgers B62K 27/006
280/204
2012/0313345 A1* 12/2012 Kamler B62K 27/003
280/292
2013/0001920 A1* 1/2013 Kamler B62K 27/12
280/292
2013/0022390 A1* 1/2013 Lin B62K 13/06
403/58
2015/0115573 A1* 4/2015 Bossel B60D 1/145
280/504
2016/0243909 A1* 8/2016 Harper B60D 1/28

* cited by examiner

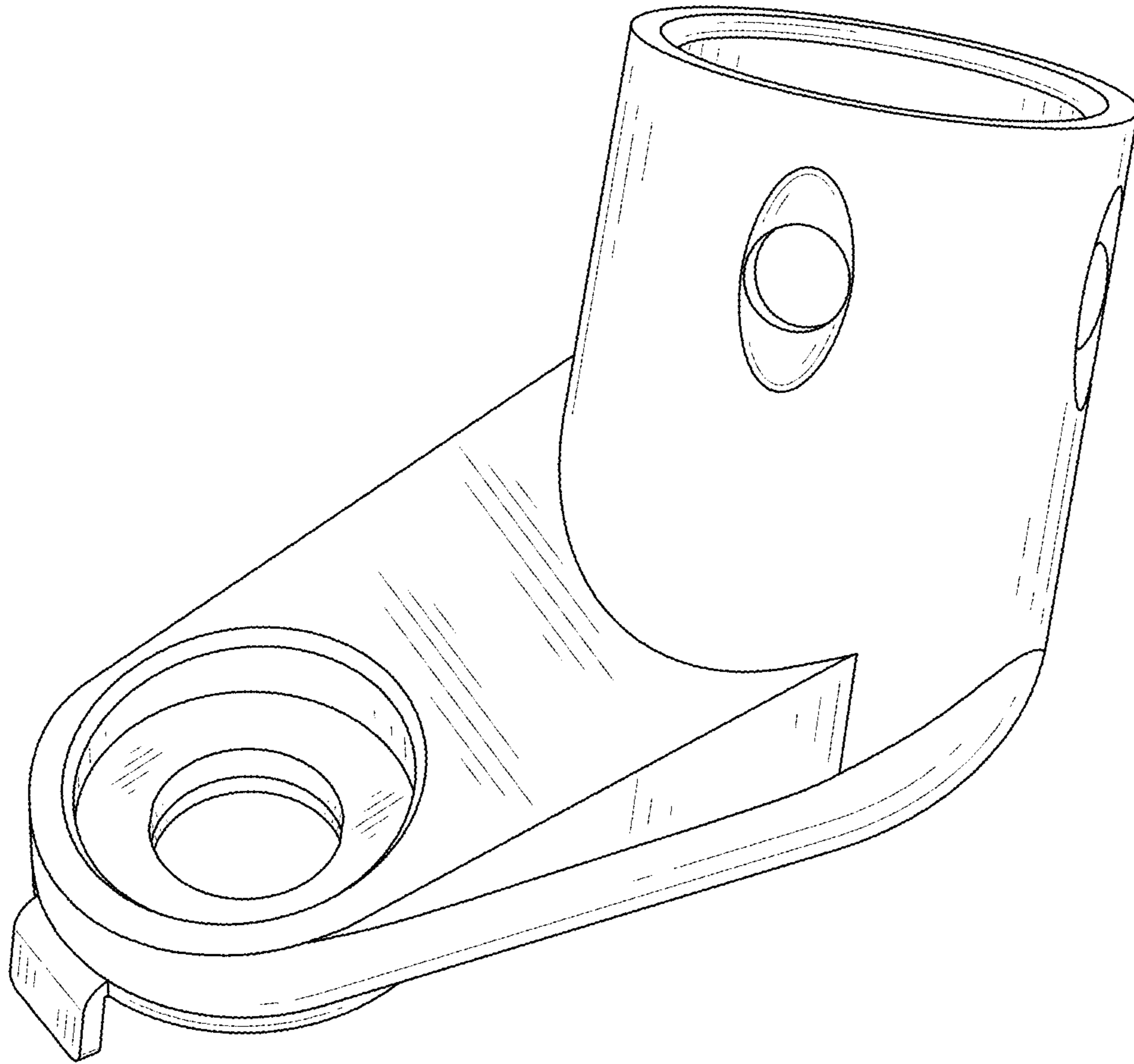


FIG. 1

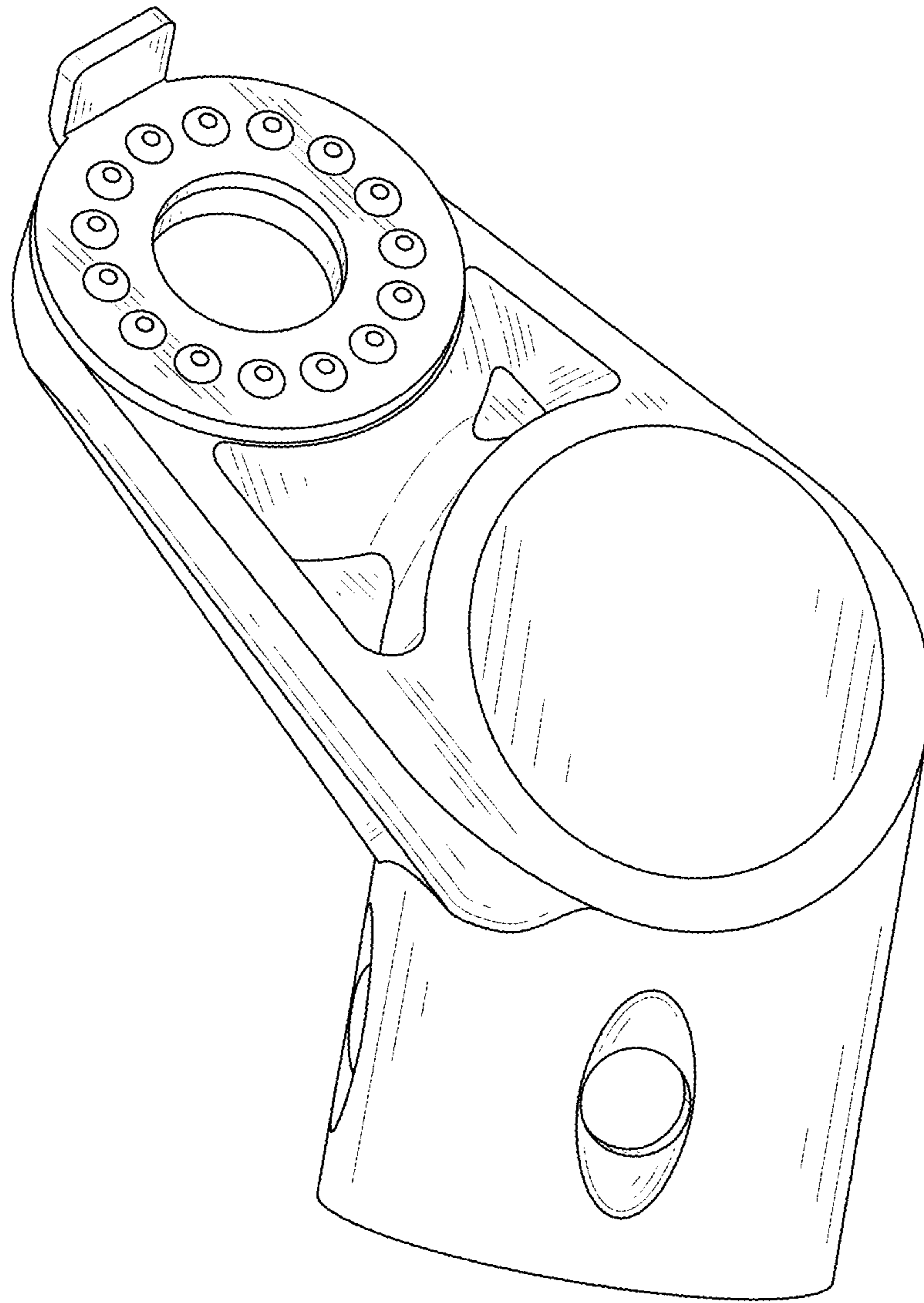


FIG. 2

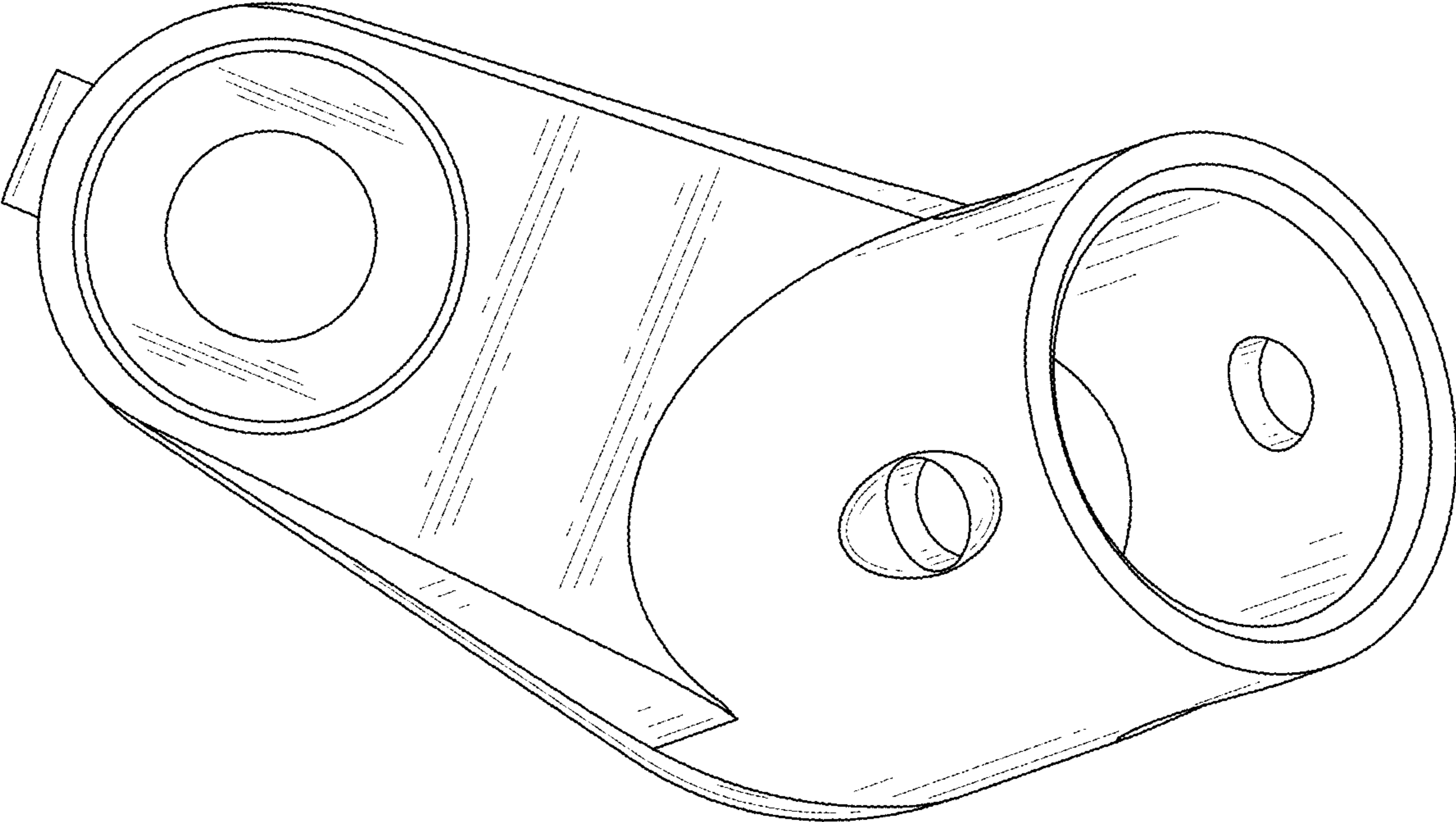


FIG. 3

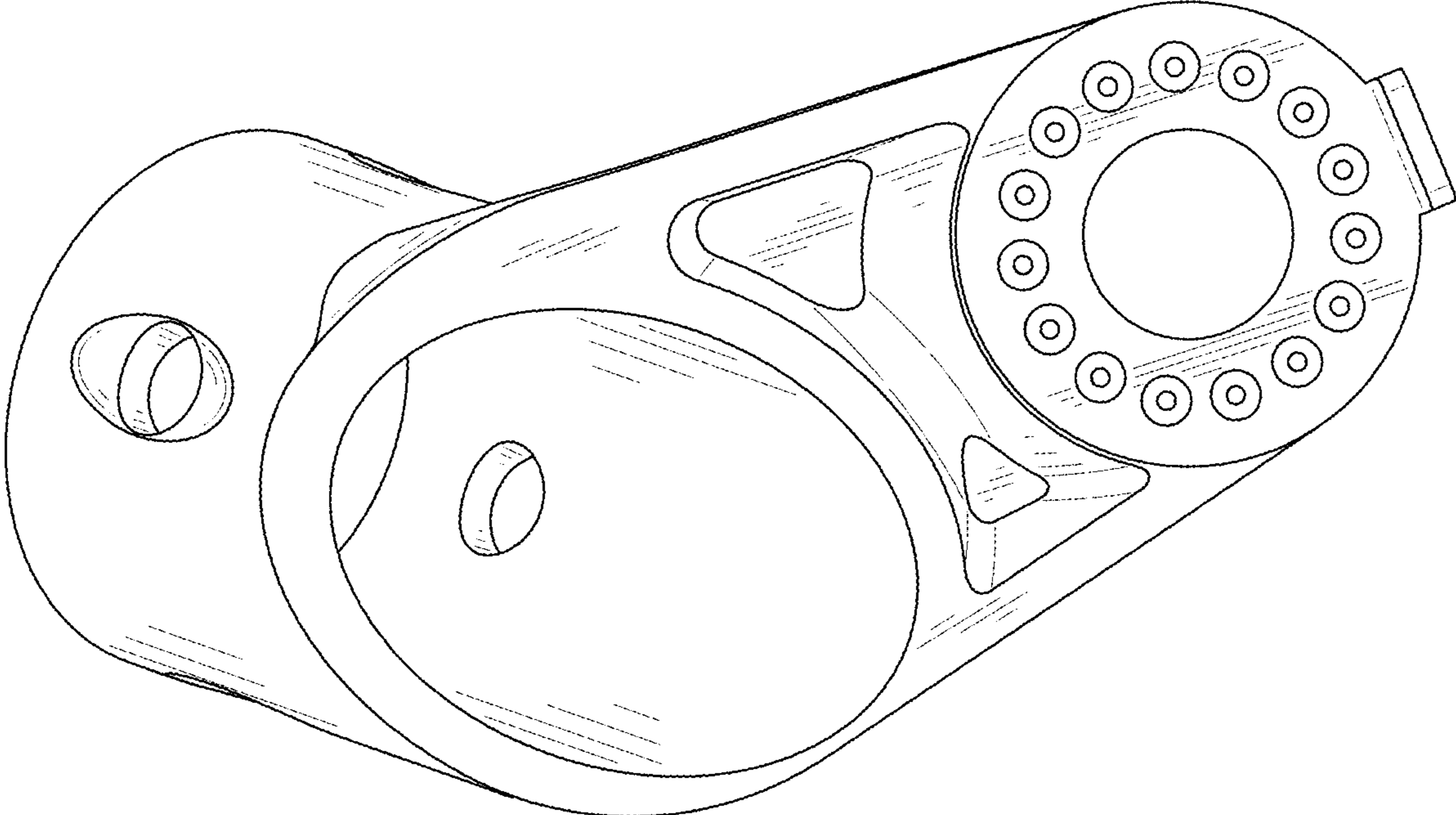


FIG. 4

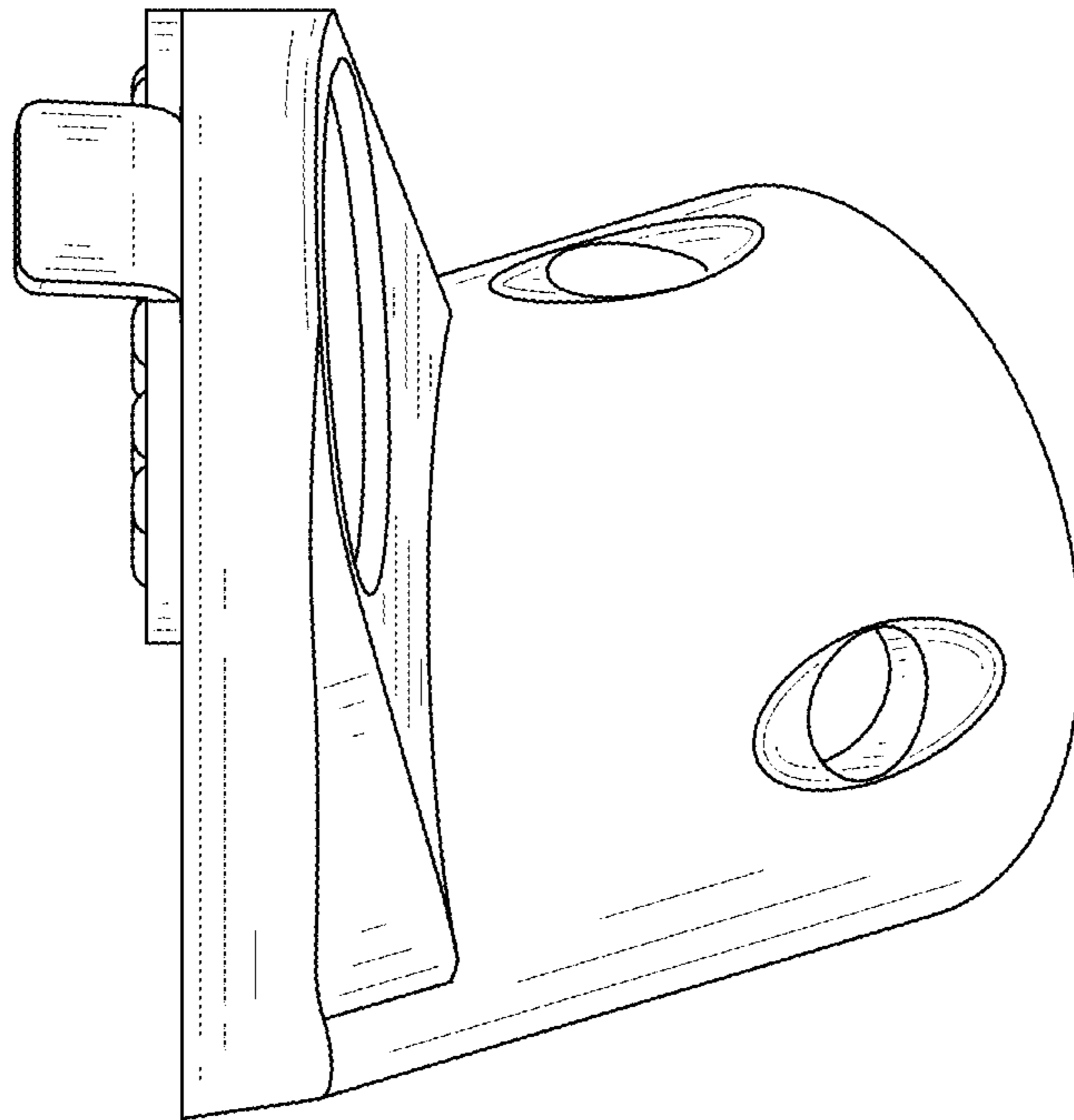


FIG. 5

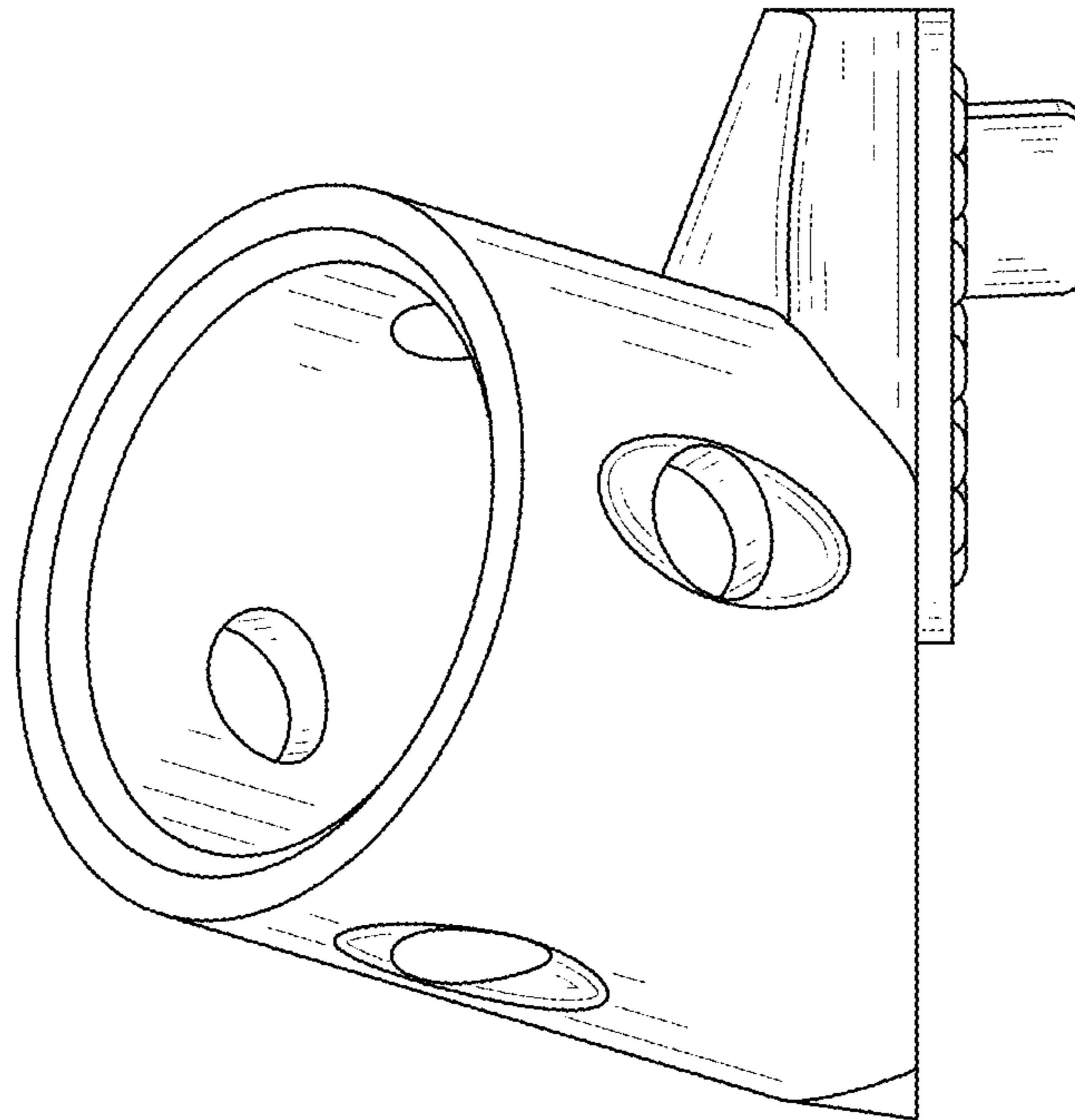


FIG. 6

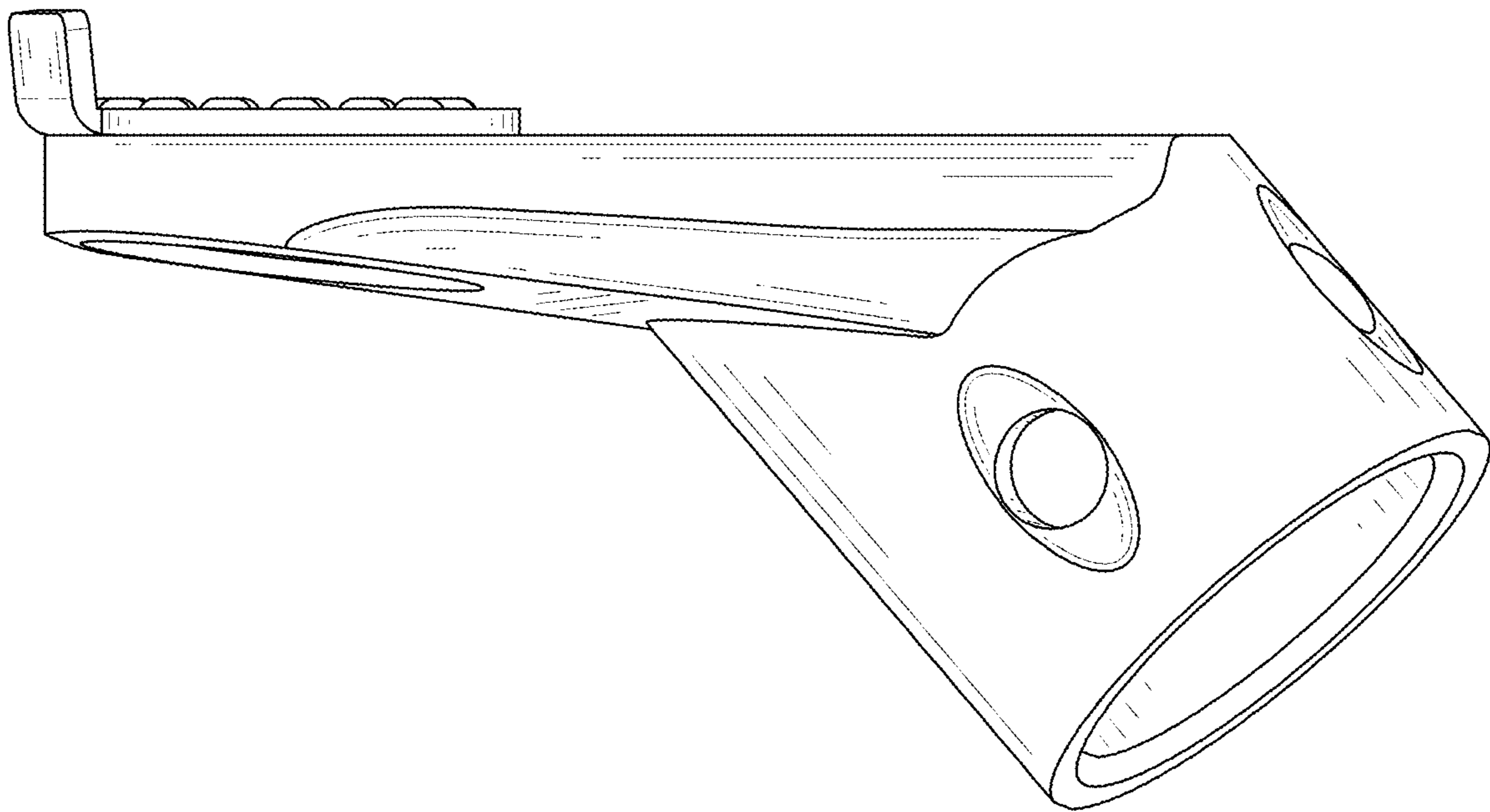


FIG. 7

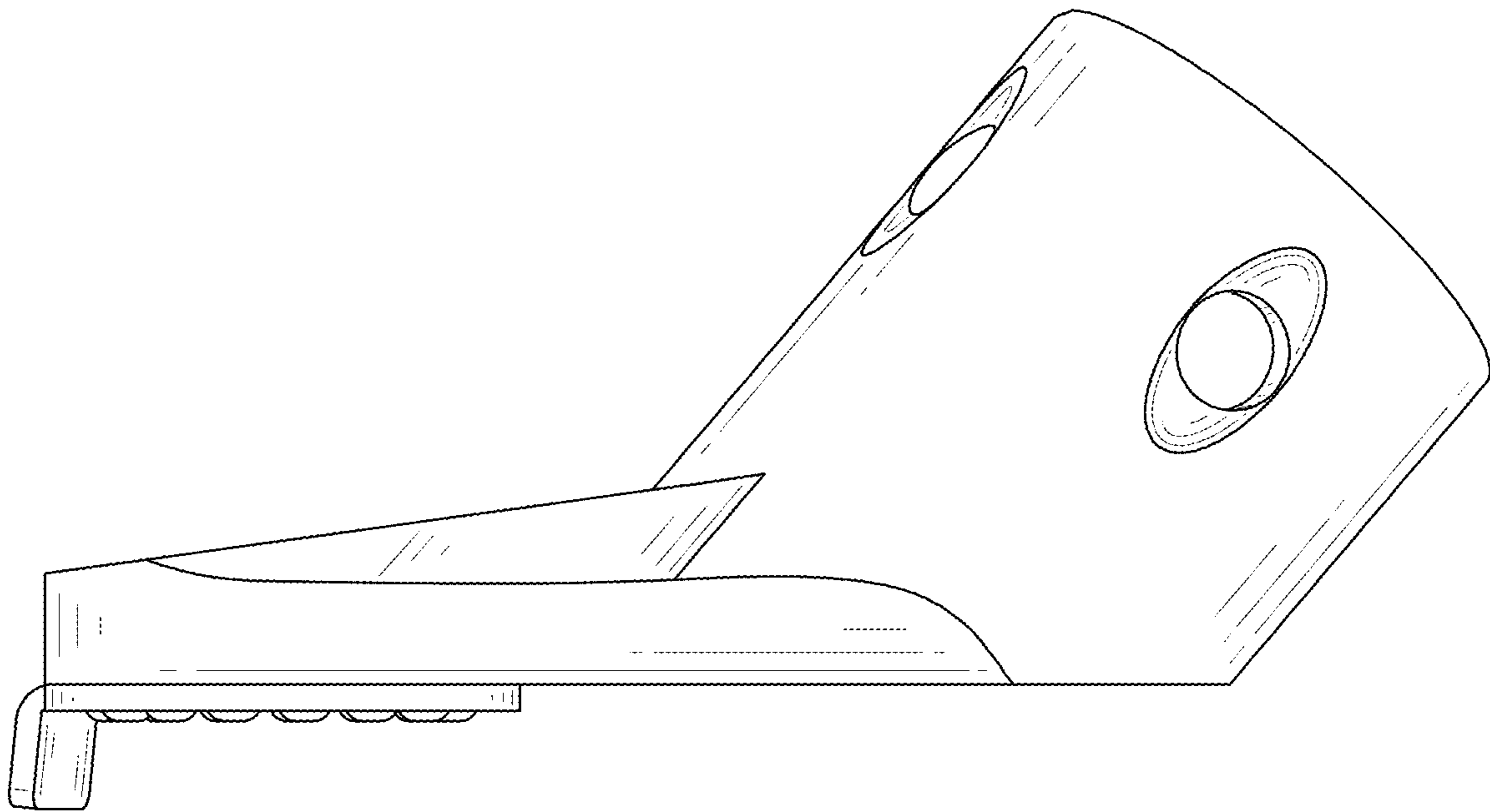


FIG. 8