



US00D886681S

(12) **United States Design Patent**
Hickok

(10) **Patent No.:** **US D886,681 S**

(45) **Date of Patent:** **** Jun. 9, 2020**

(54) **UTILITY TRAILER**

(71) Applicant: **Michael David Hickok**, Bakersfield,
CA (US)

(72) Inventor: **Michael David Hickok**, Bakersfield,
CA (US)

(**) Term: **15 Years**

(21) Appl. No.: **29/633,294**

(22) Filed: **Jan. 12, 2018**

(51) **LOC (12) Cl.** **12-10**

(52) **U.S. Cl.**
USPC **D12/102**

(58) **Field of Classification Search**
USPC D12/19, 129, 100–106, 111–112;
D21/425, 435; D34/21–26, 12, 16–19
CPC .. B62D 35/00; B62D 33/077; B62D 33/0612;
B62D 24/04; B60P 3/10; B60P 3/1033;
B60P 3/0257; B60P 3/34; E01F 15/14
See application file for complete search history.

(56) **References Cited**

U.S. PATENT DOCUMENTS

D316,688 S	*	5/1991	Barginear	D12/101
D733,005 S	*	6/2015	Erwin	D12/101
D738,806 S	*	9/2015	Williamson	D12/221
D761,160 S	*	7/2016	Gilles Duros	D12/101
D779,380 S	*	2/2017	van den Berg	D12/101

D803,102 S	*	11/2017	Pletcher	D12/101
D822,544 S	*	7/2018	Black	D12/102
D836,037 S	*	12/2018	Tran	D12/102
D864,032 S	*	10/2019	Bernard	D12/101
D867,216 S	*	11/2019	Van Wyk	B60R 9/06 D12/102
D867,218 S	*	11/2019	Arter	D12/102
D868,633 S	*	12/2019	Krenelka	D12/102
D872,655 S	*	1/2020	Green	D12/106

* cited by examiner

Primary Examiner — Katrina A Betton

(74) *Attorney, Agent, or Firm* — Dunlap Bennett &
Ludwig PLLC; Brendan E. Squire

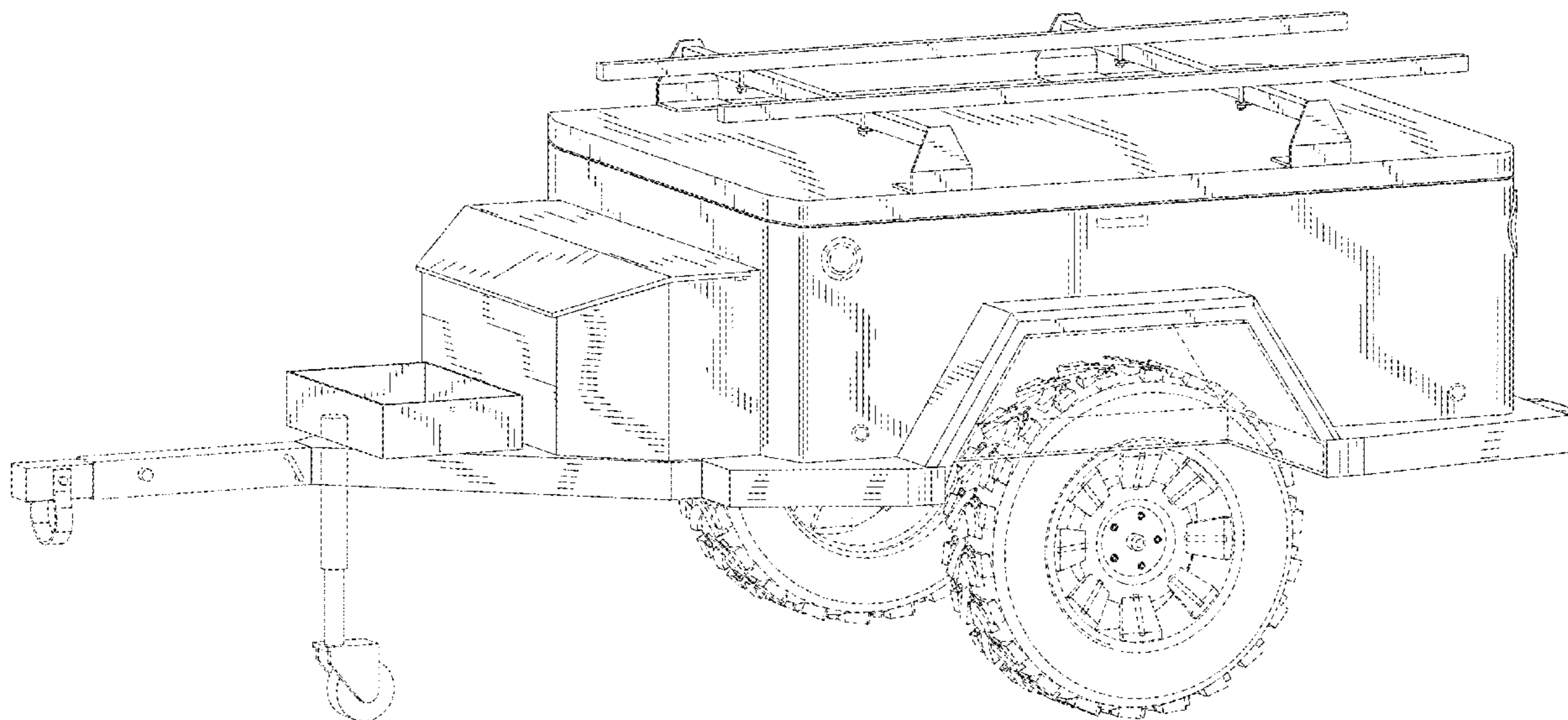
(57) **CLAIM**

The ornamental design for a utility trailer, as shown and described.

DESCRIPTION

FIG. 1 is a perspective view of the utility trailer showing my new design;
FIG. 2 is a right side view thereof; the left side being a mirror image thereof;
FIG. 3 is a rear view thereof;
FIG. 4 is a front view thereof;
FIG. 5 is a bottom view thereof; and,
FIG. 6 is a top view thereof.
The broken lines shown in the drawings illustrate portions of the utility trailer that form no part of the claimed design.

1 Claim, 4 Drawing Sheets



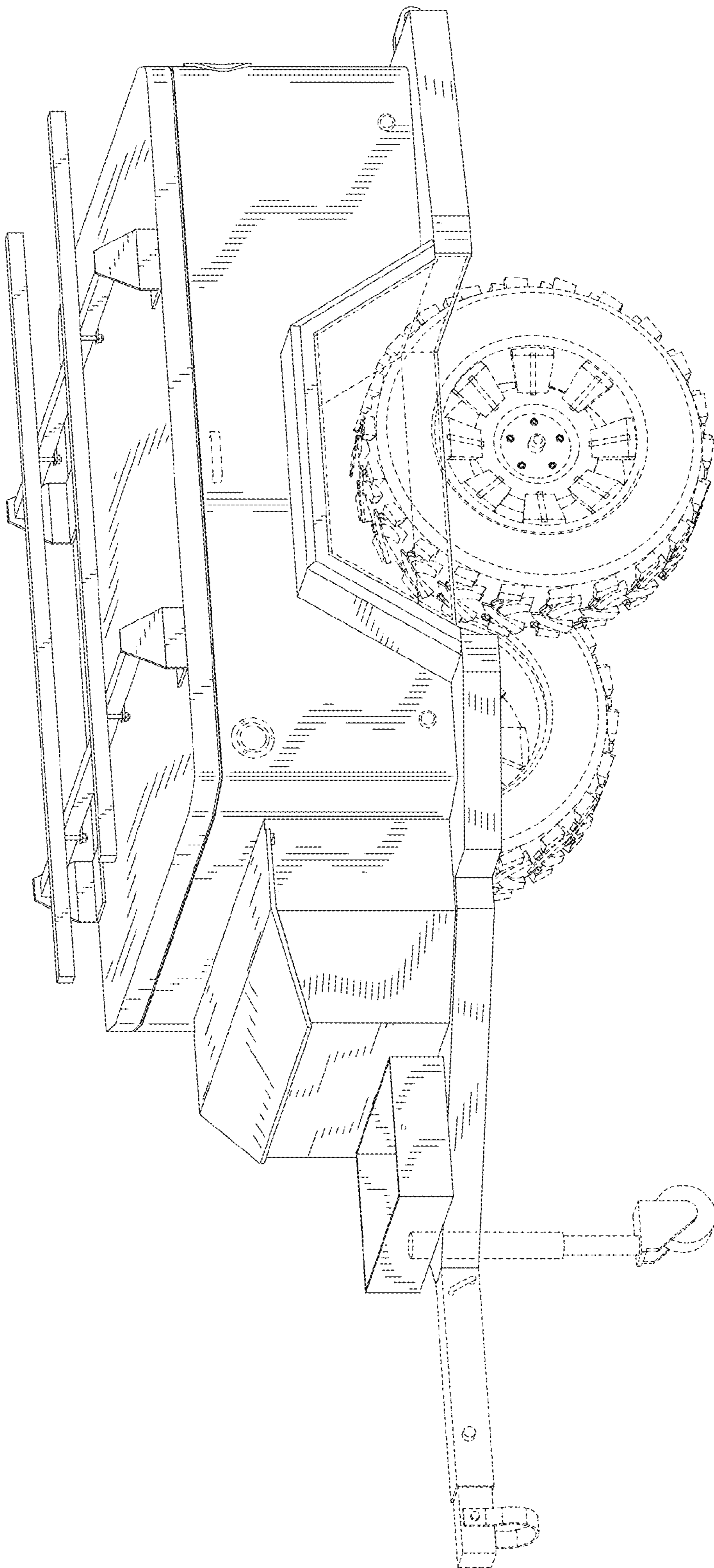


FIG.1

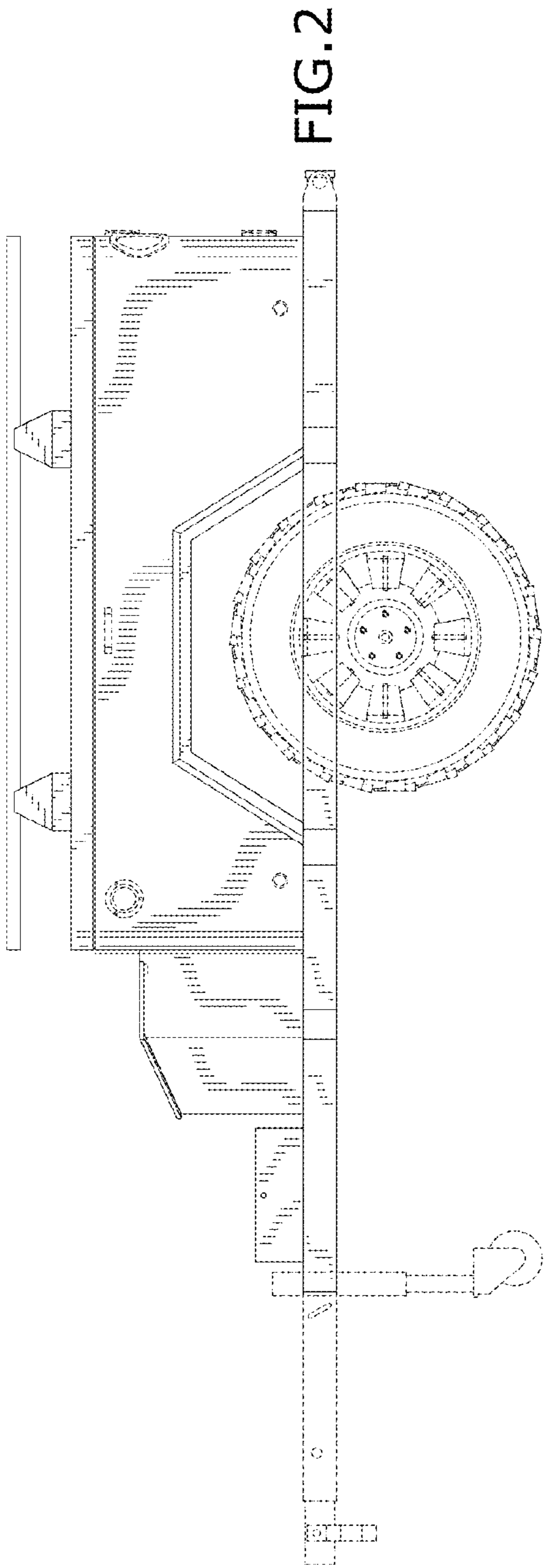


FIG. 2

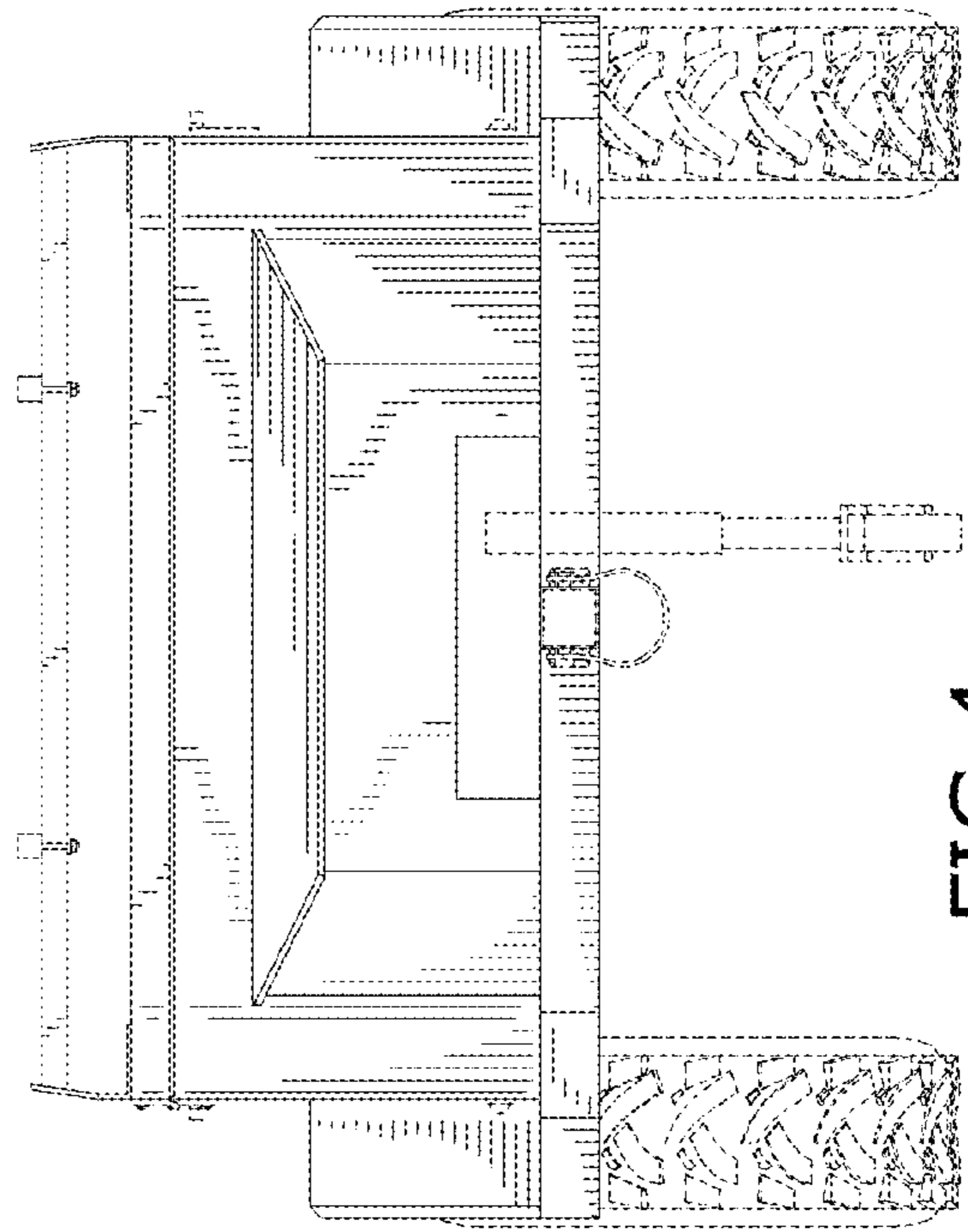


FIG. 4

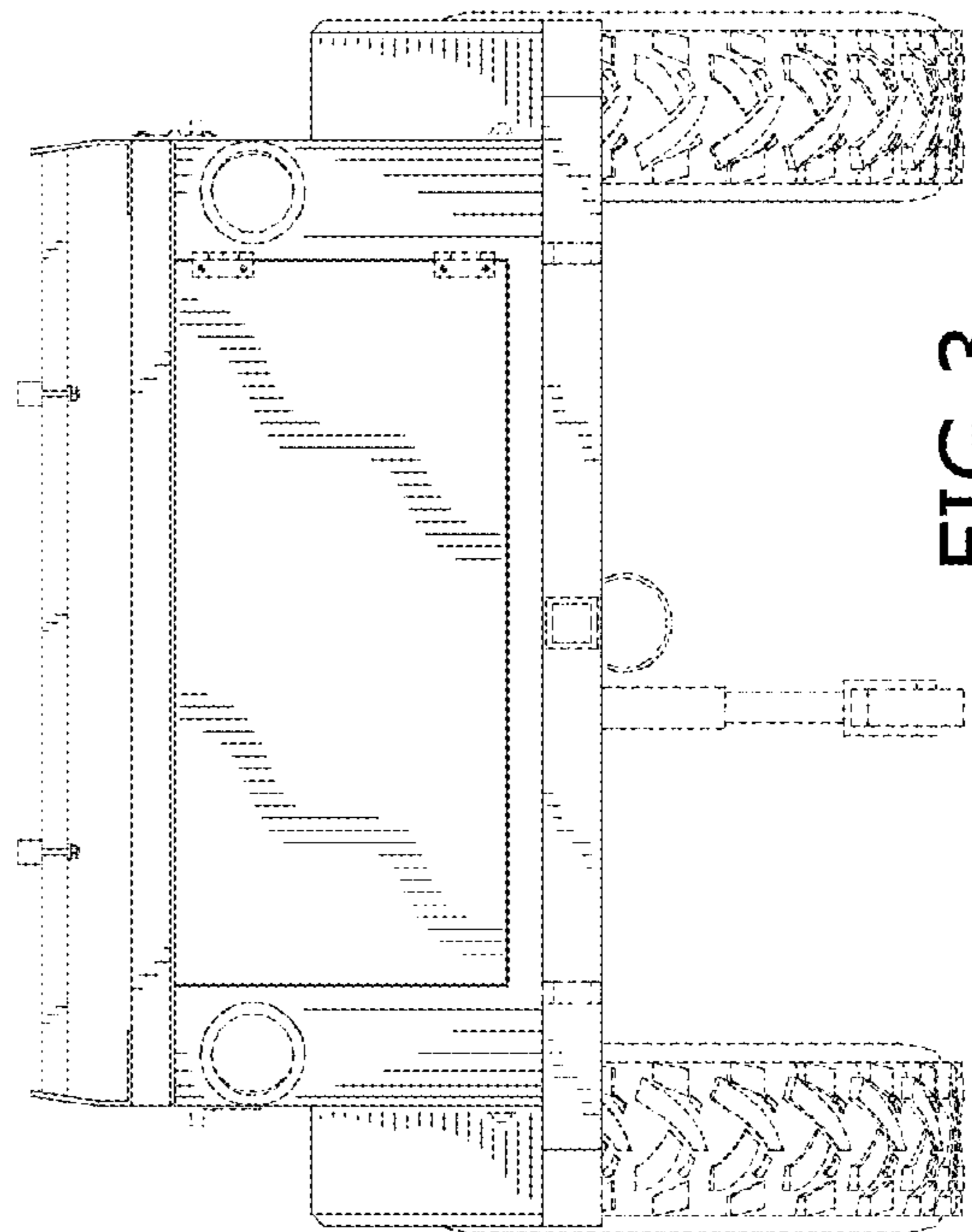


FIG. 3

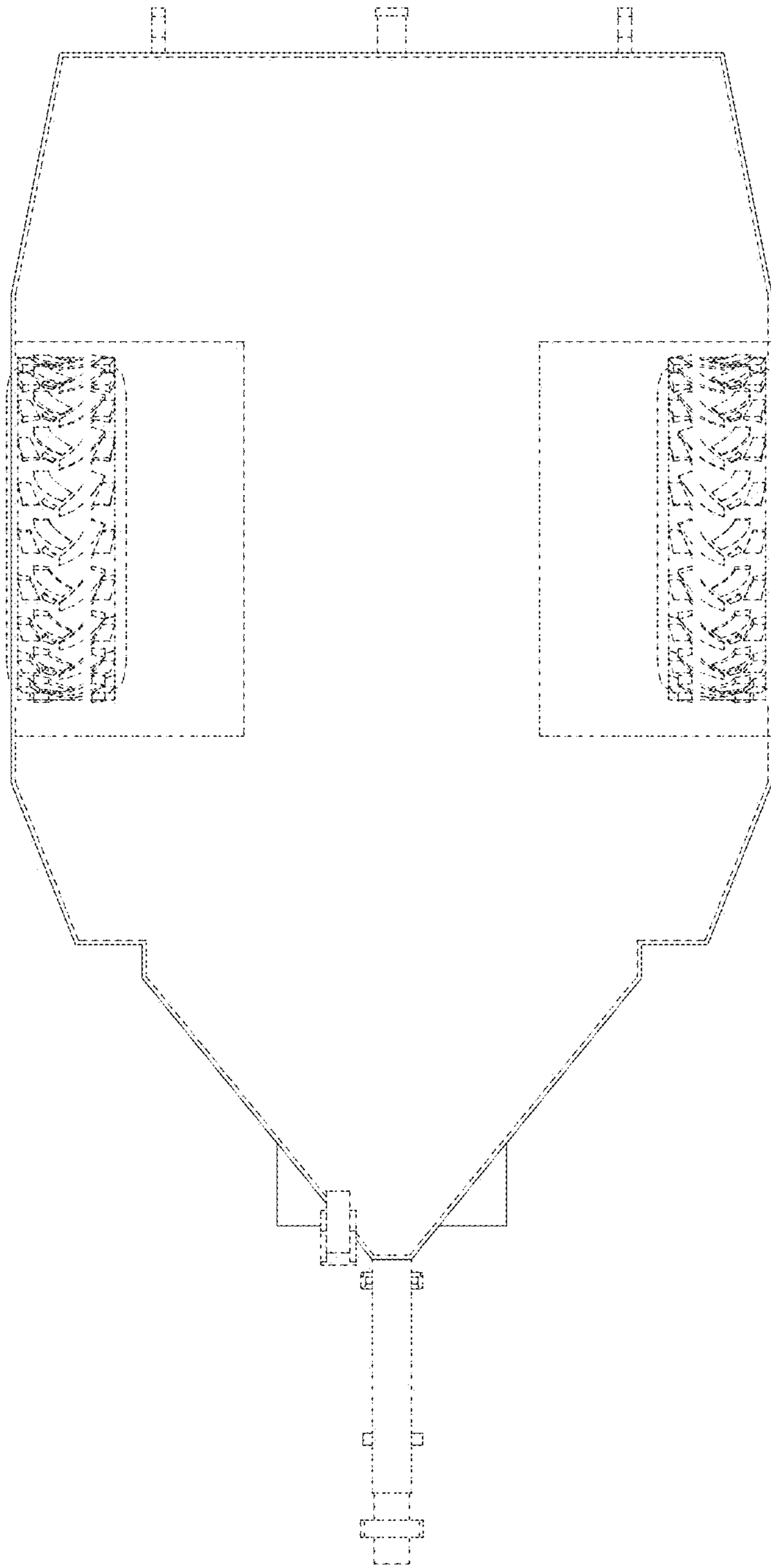


FIG. 5

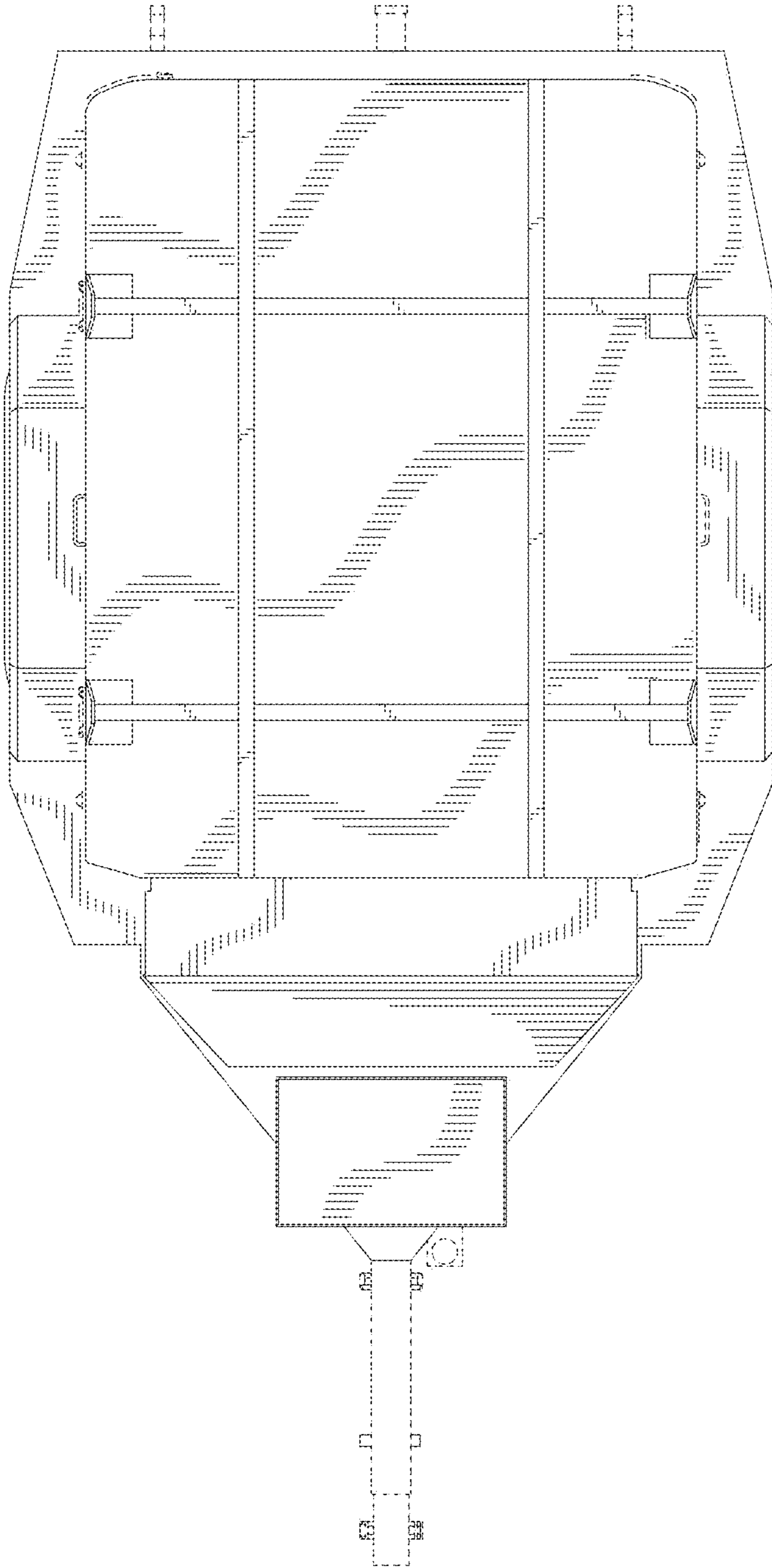


FIG.6