



US00D886677S

(12) **United States Design Patent**
Hall et al.

(10) **Patent No.:** **US D886,677 S**
(45) **Date of Patent:** **** Jun. 9, 2020**

(54) **THREE-WHEELED ROADSTER**
(71) Applicant: **Hall Labs LLC**, Provo, UT (US)
(72) Inventors: **David R. Hall**, Provo, UT (US);
Stephen Hall, Draper, UT (US);
Christopher Johnson, Provo, UT (US)
(73) Assignee: **Hall Labs LLC**, Provo, UT (US)
(**) Term: **15 Years**

D449,018 S *	10/2001	Musser	D12/85
D469,037 S *	1/2003	Hanagan	D12/85
D584,188 S *	1/2009	Jenkins	D12/85
D589,844 S *	4/2009	Aube	D12/85
D592,547 S *	5/2009	Riley	D12/85
D592,548 S *	5/2009	Aube	D12/85
D613,203 S *	4/2010	Geslin	D12/85
D626,032 S *	10/2010	Starr	D12/85
D633,821 S *	3/2011	Hill	D12/85
D666,127 S *	8/2012	Nam	D12/85
D678,124 S *	3/2013	Canni	D12/85
D682,158 S *	5/2013	Canni	D12/85
2012/0241239 A1 *	9/2012	Holroyd	B62K 5/05 180/210

(21) Appl. No.: **29/668,092**

* cited by examiner

(22) Filed: **Oct. 26, 2018**

Primary Examiner — Darlington Ly

(51) **LOC (12) Cl.** **12-08**

(52) **U.S. Cl.**
USPC **D12/85**

(57) **CLAIM**

The ornamental design for a three-wheeled roadster, as shown and described.

(58) **Field of Classification Search**
USPC D12/85, 86, 107, 131; D21/424, 433,
D21/434
CPC B62D 21/11; B62D 29/043; B62D 31/00;
B62D 49/00; B62D 61/065; B62L 3/00;
B62K 3/005; B62K 5/01; B62K 5/08;
B62K 5/027
See application file for complete search history.

DESCRIPTION

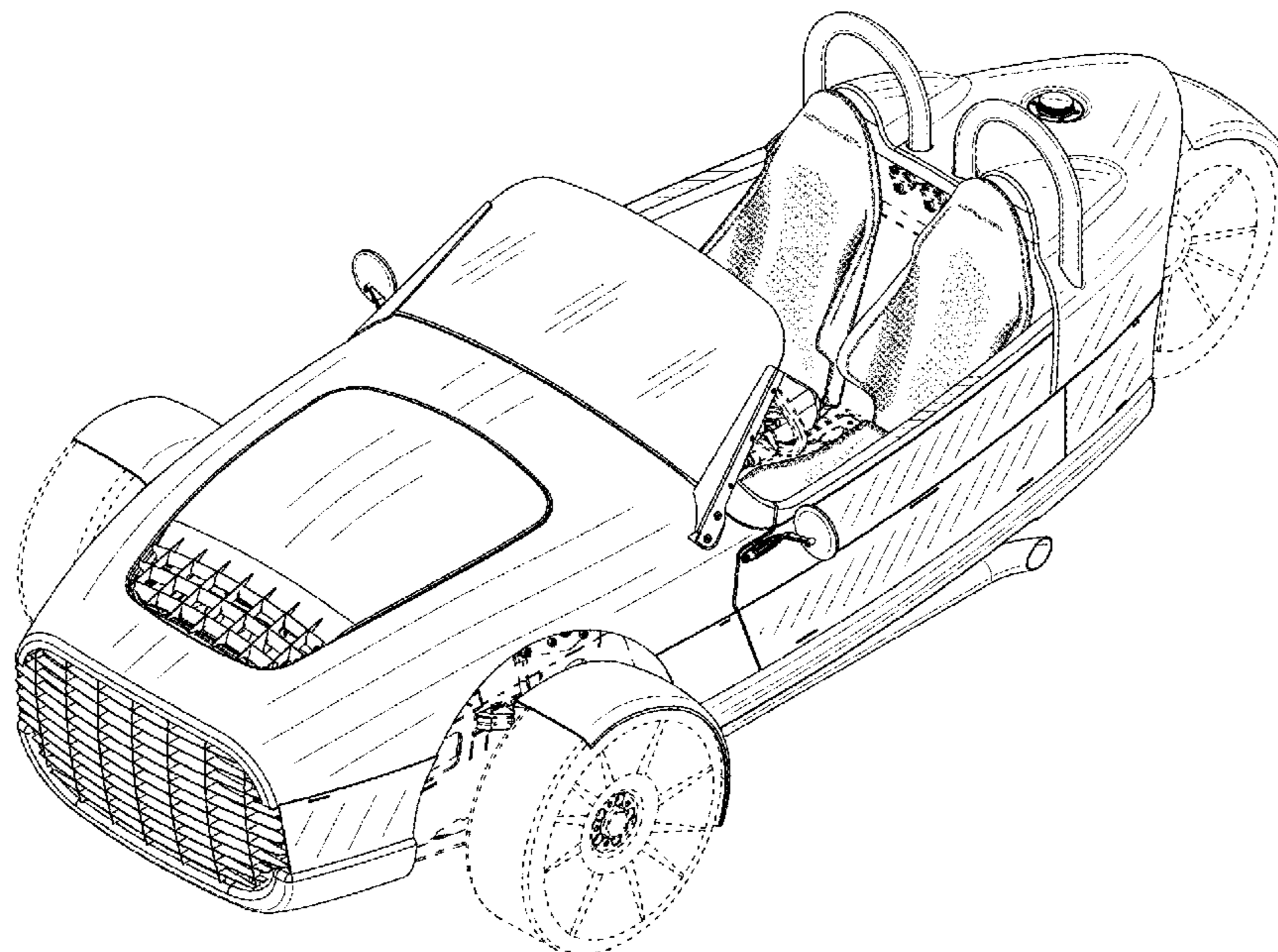
FIG. 1 is a top, front, and left side perspective view of a three-wheeled passenger roadster showing our new design; FIG. 2 is a left side elevation view thereof; FIG. 3 is a top plan view thereof; FIG. 4 is a rear elevation view thereof; FIG. 5 is a front elevation view thereof; FIG. 6 is a top, rear, and right side perspective view thereof; FIG. 7 is a top and right side perspective view thereof; FIG. 8 is a top, rear, and left side perspective view thereof; FIG. 9 is a rear and left side perspective view thereof; FIG. 10 is a rear and right side perspective view thereof; and, FIG. 11 is a front and right side perspective view thereof. The broken lines in the drawings illustrate portions of the three-wheeled passenger roadster that form no part of the claimed design.

(56) **References Cited**

U.S. PATENT DOCUMENTS

D260,871 S *	9/1981	Cargile	D12/85
4,573,546 A *	3/1986	Irimajiri	B62D 61/065 180/211
4,703,824 A *	11/1987	Irimajiri	B62D 61/065 180/210
D404,688 S *	1/1999	Hanagan	D12/85
6,015,022 A *	1/2000	Thuliez	B62D 21/04 180/210
D424,979 S *	5/2000	Hanagan	D12/85
D427,548 S *	7/2000	Sacco	D12/85

1 Claim, 11 Drawing Sheets



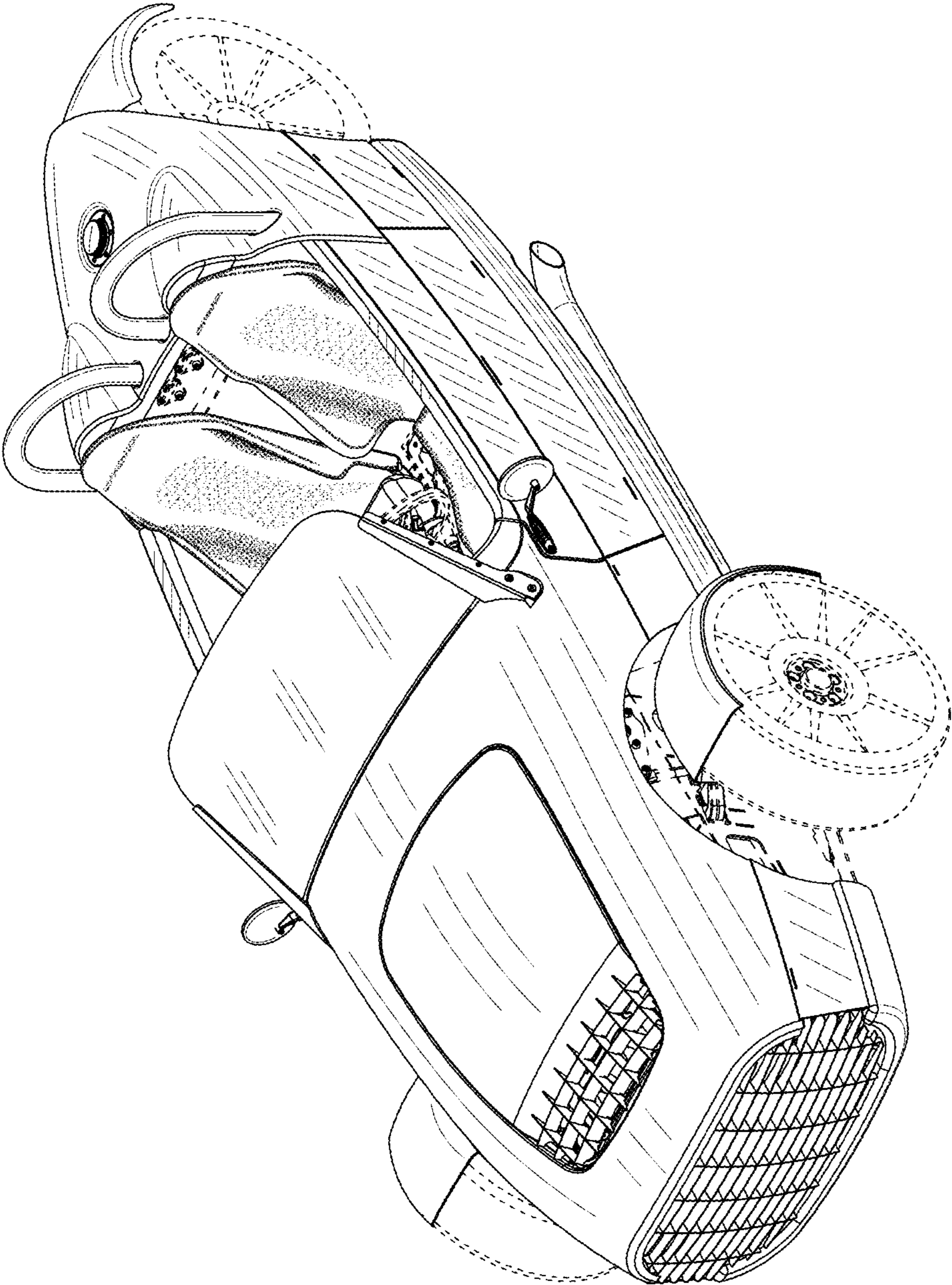


FIG. 1

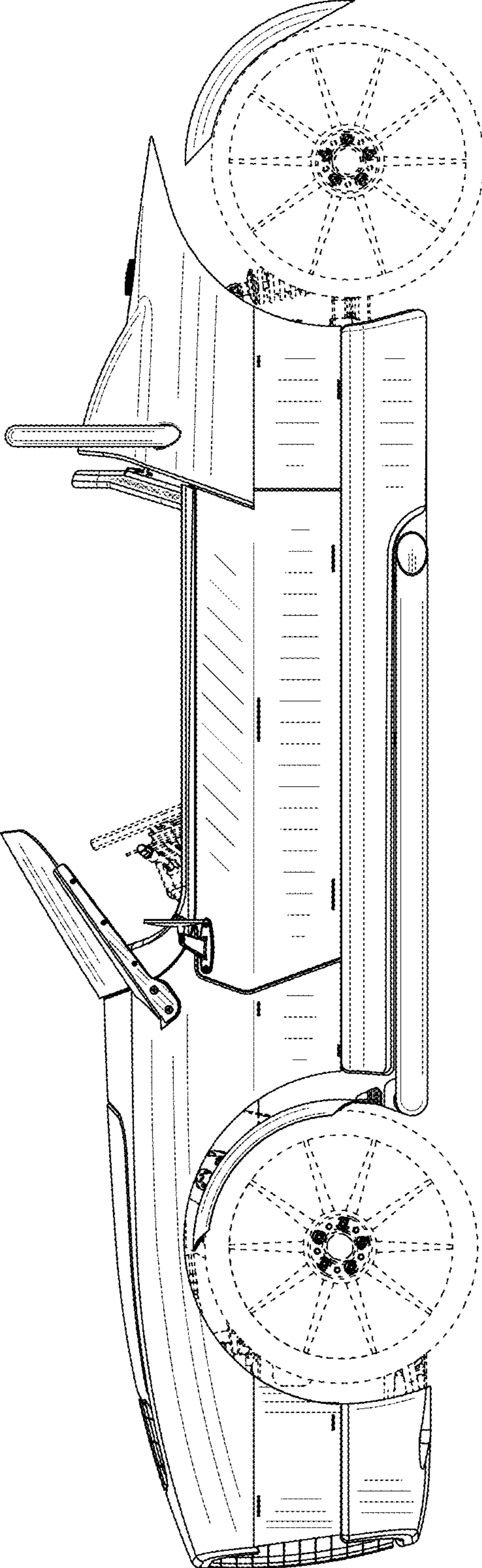


FIG. 2

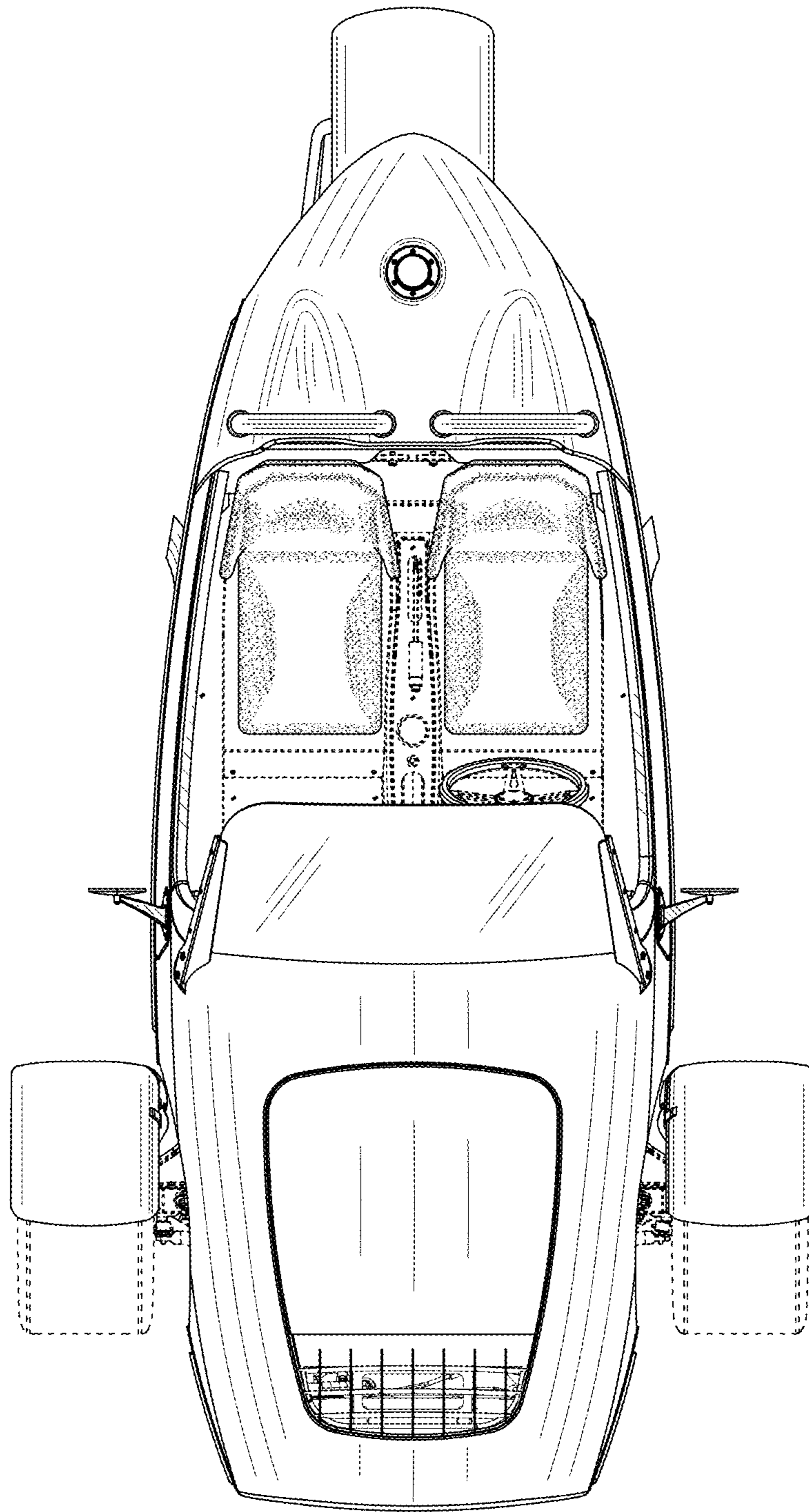


FIG. 3

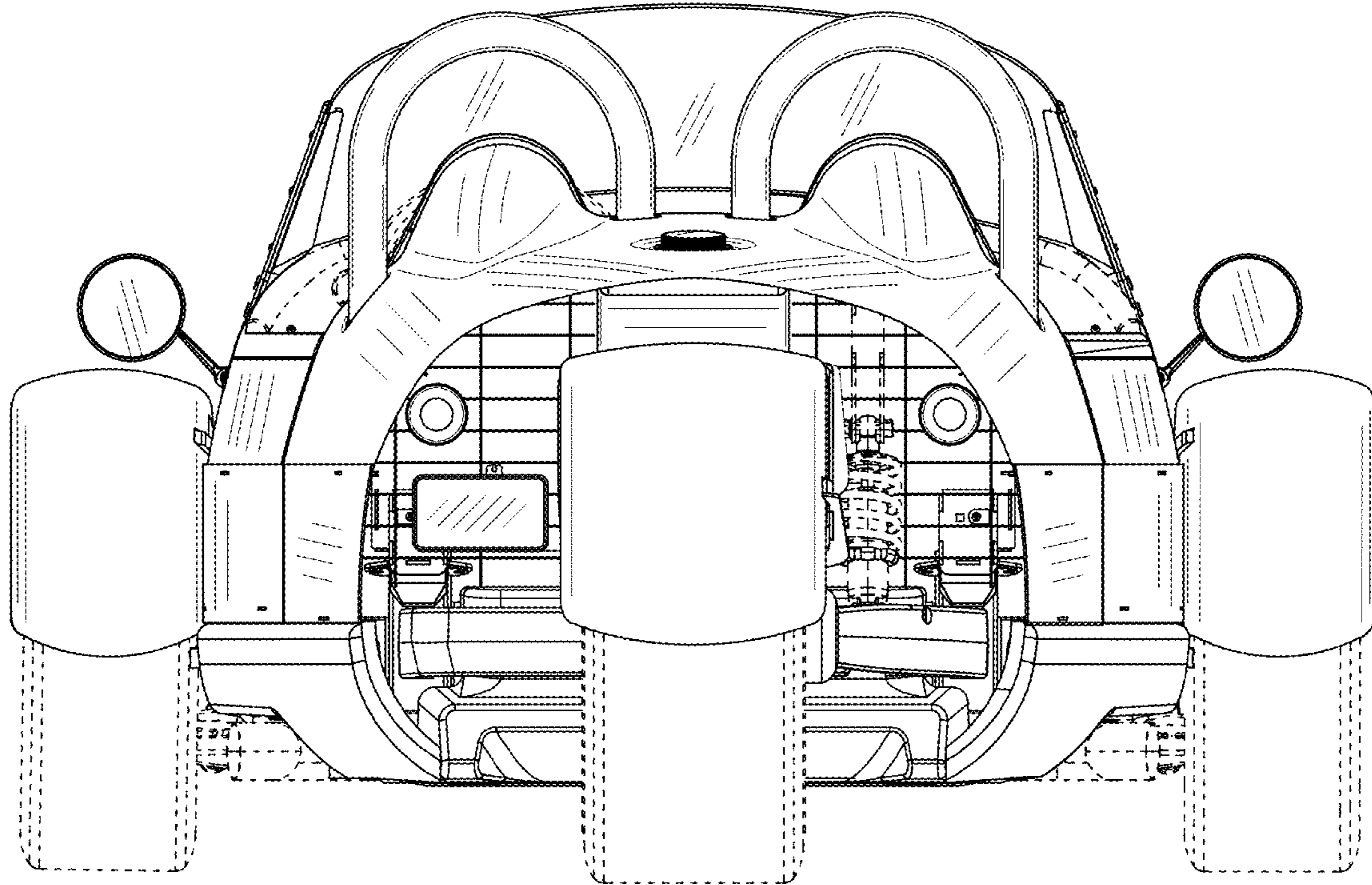


FIG. 4

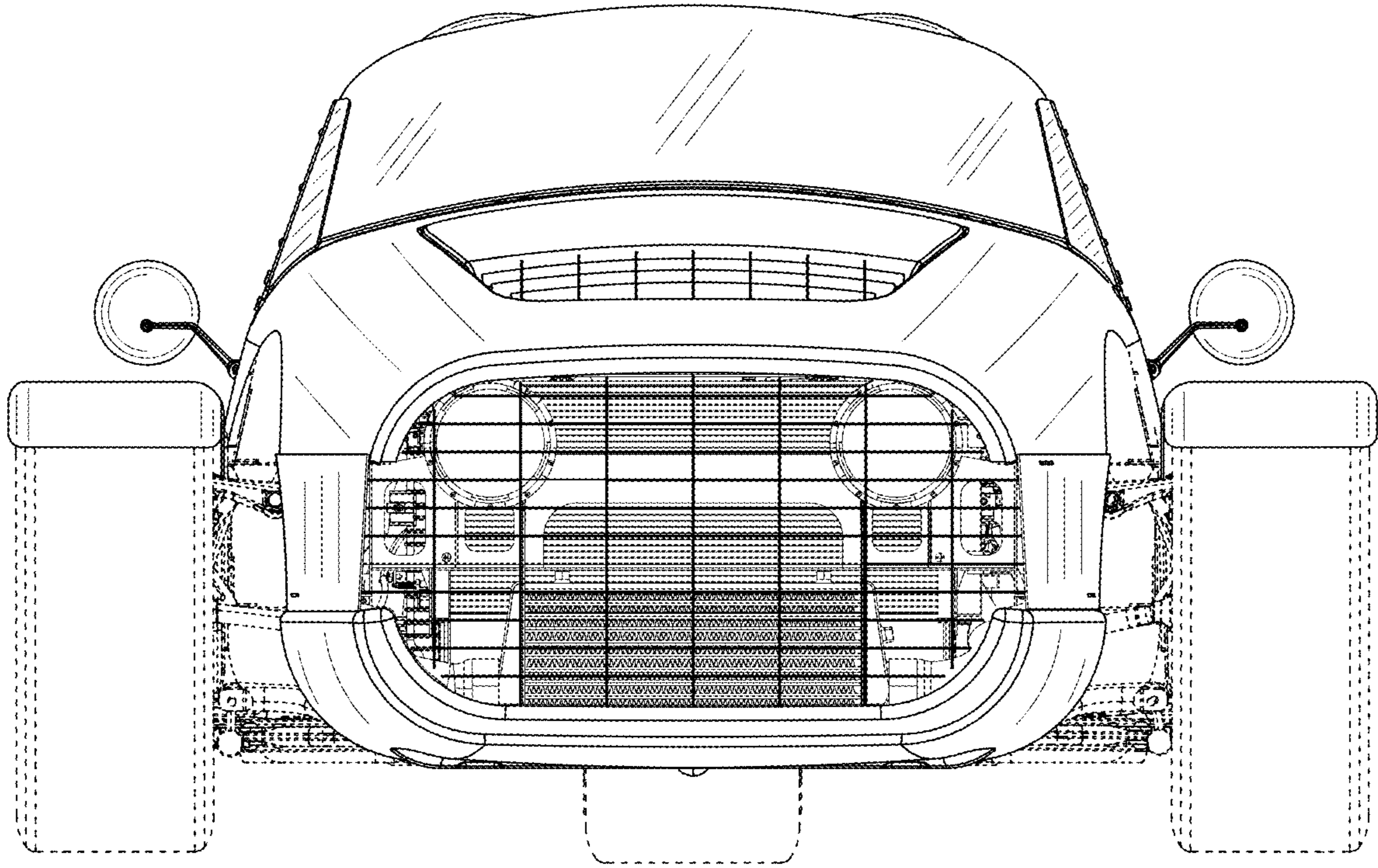


FIG. 5

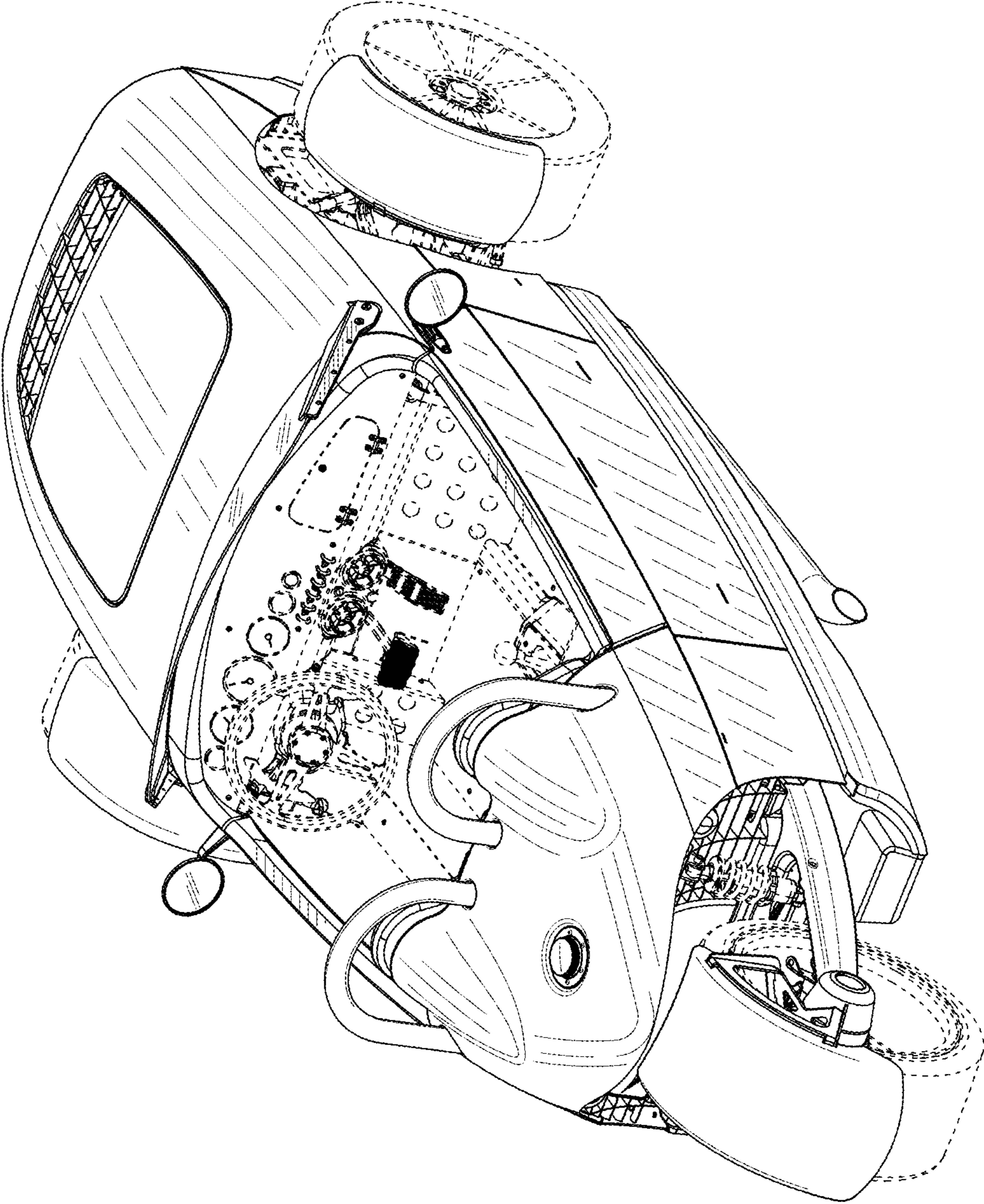


FIG. 6

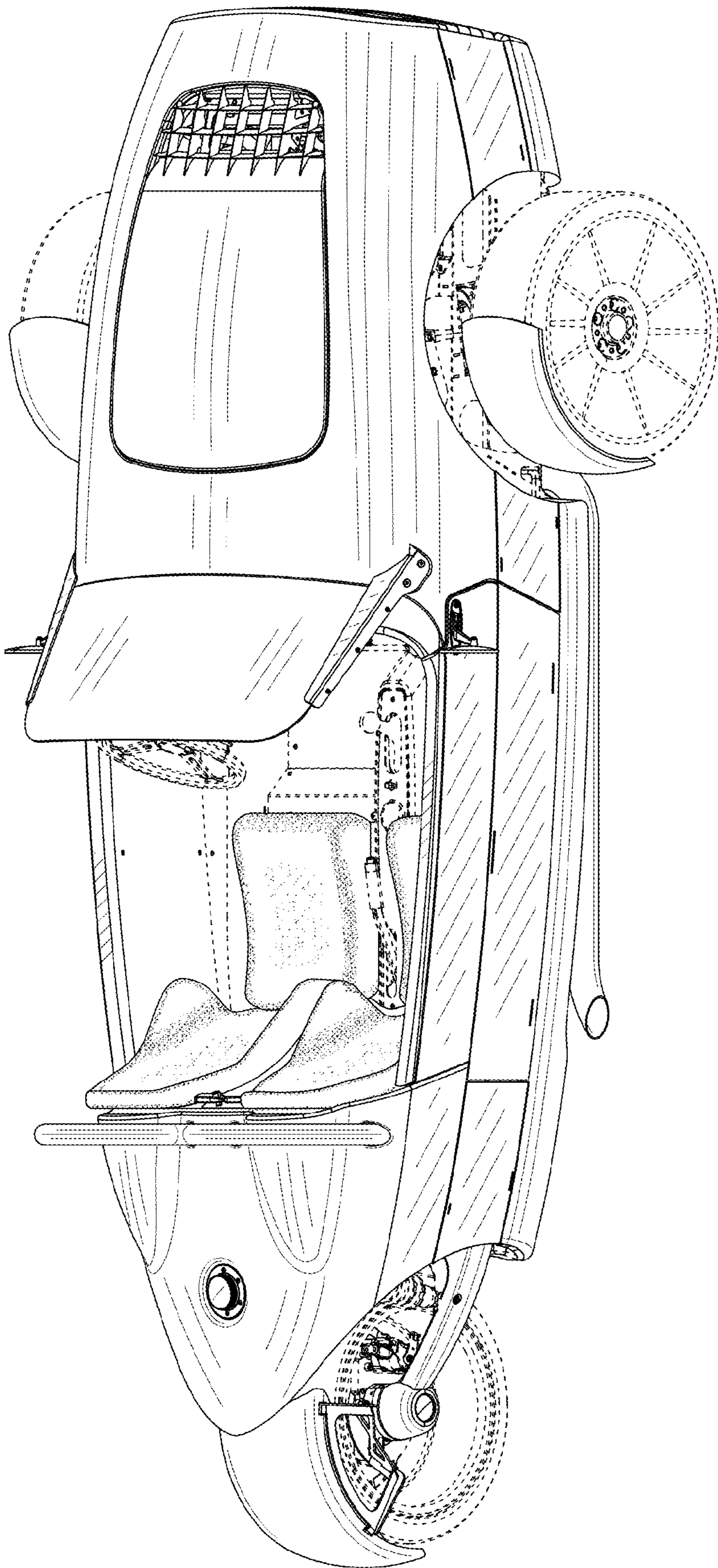


FIG. 7

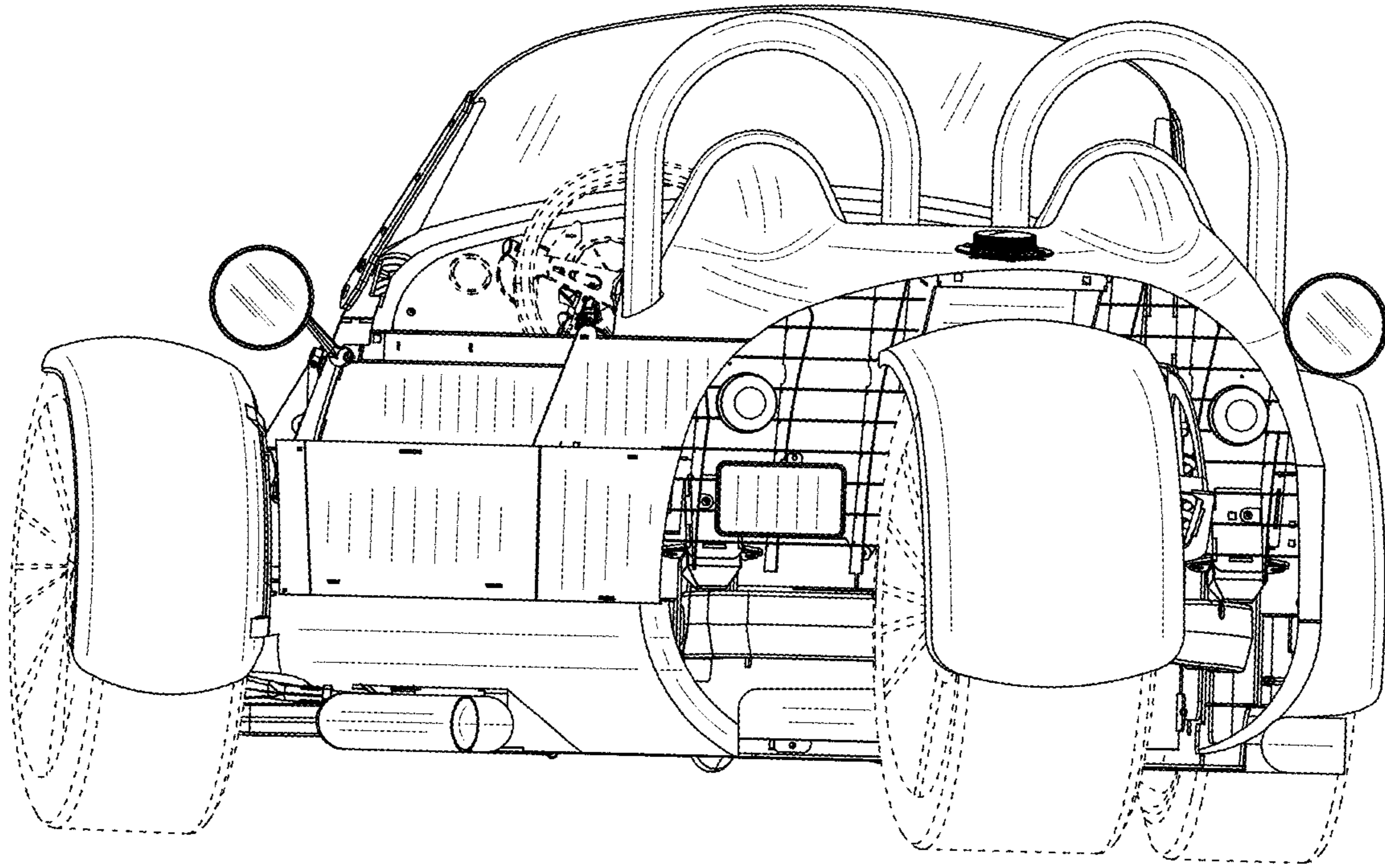


FIG. 9

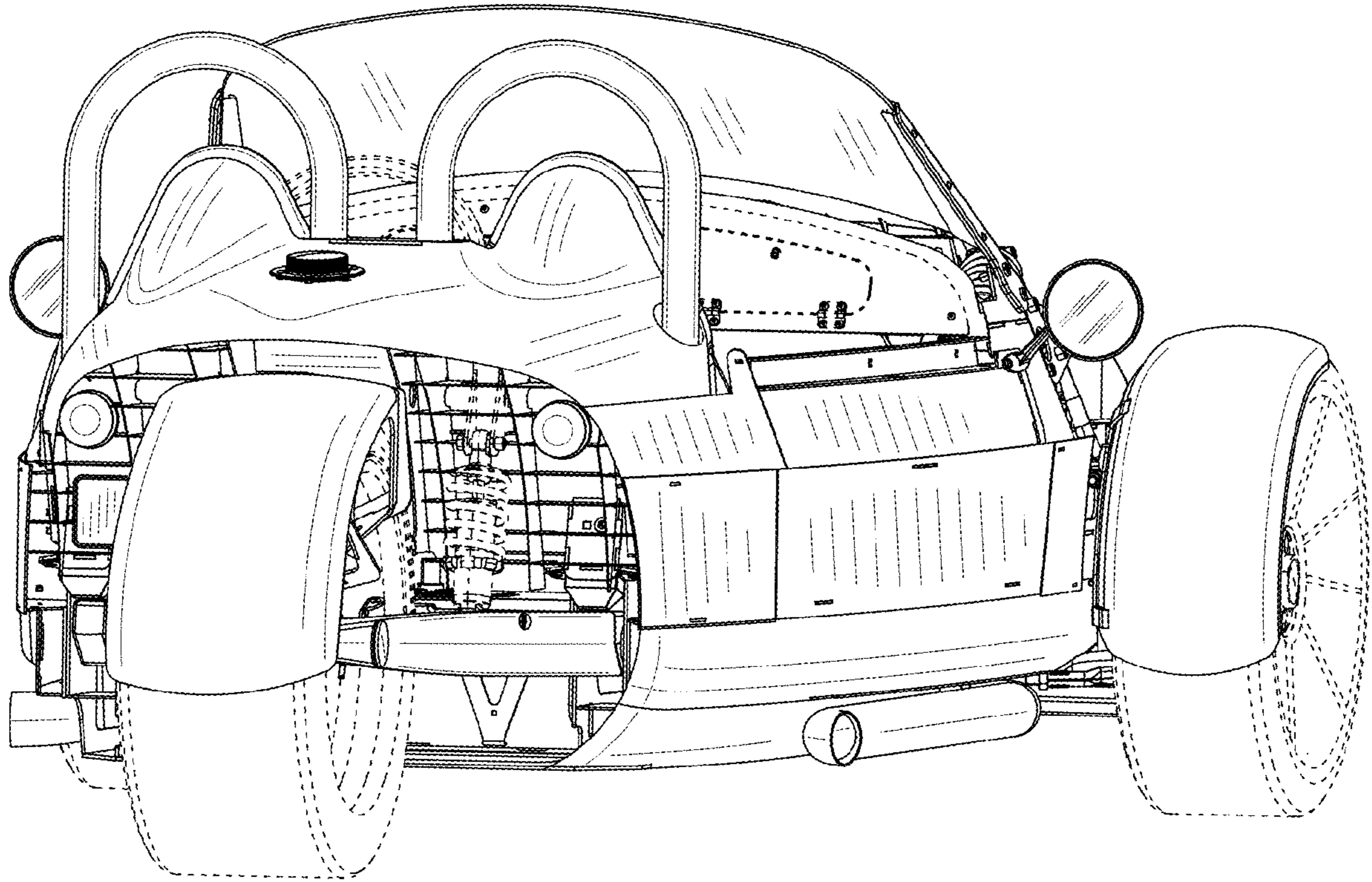


FIG. 10

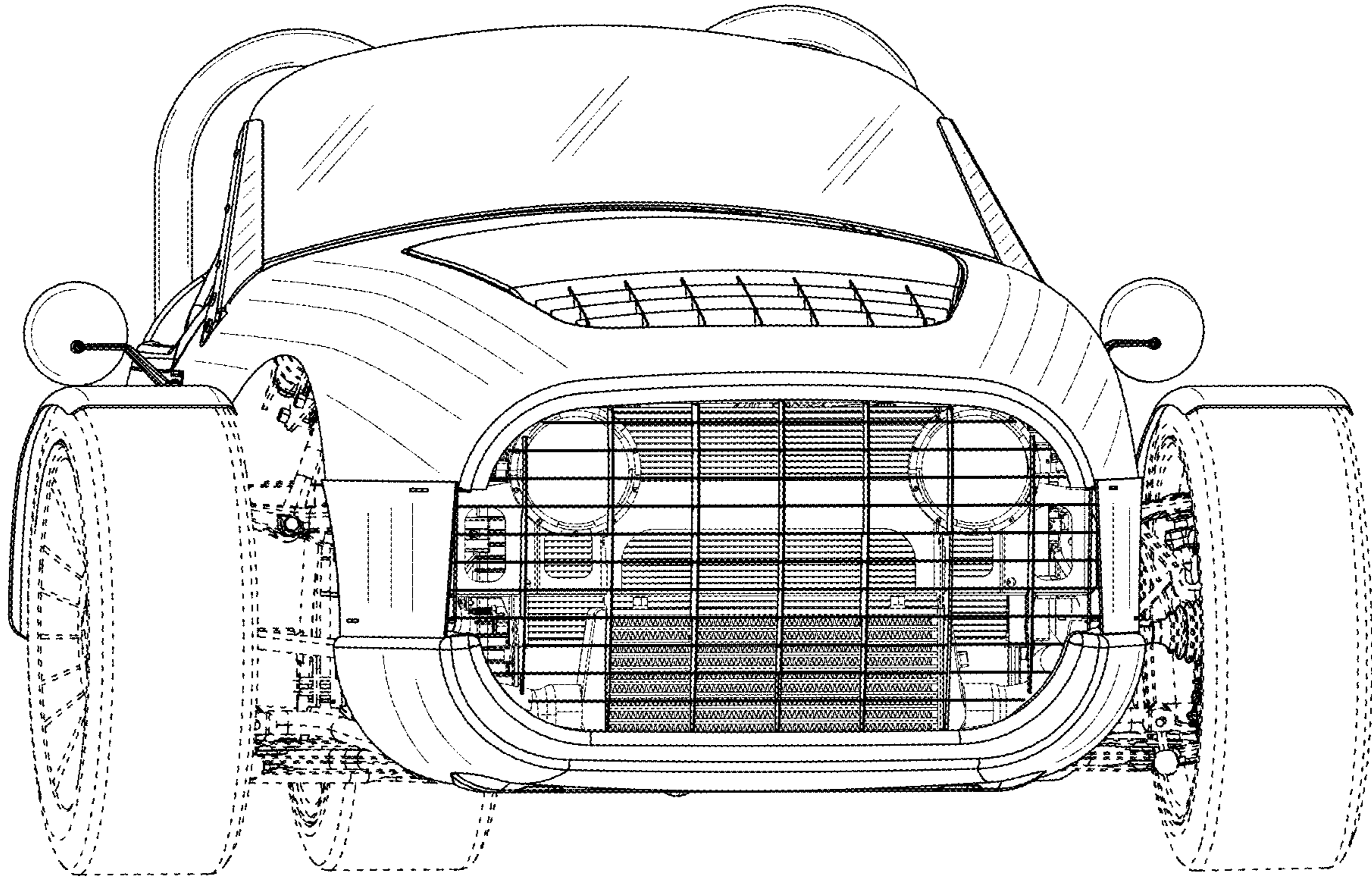


FIG. 11