



US00D886673S

(12) **United States Design Patent**
Hettinger

(10) **Patent No.:** **US D886,673 S**
(45) **Date of Patent:** **** Jun. 9, 2020**

(54) **DUMPER BODY**

FOREIGN PATENT DOCUMENTS

(71) Applicant: **CATERPILLAR INC.**, Deerfield, IL (US)

CA 2945725 A1 * 1/2018 B60P 1/28

(72) Inventor: **Daniel Raymond Hettinger**, Monticello, IL (US)

OTHER PUBLICATIONS

U.S. Appl. No. 16/010,553; A Dumper Body That Includes Structural Transitioning; Daniel R. Hettinger et al; filed Jun. 18, 2018.

(73) Assignee: **Caterpillar Inc.**, Peoria, IL (US)

(Continued)

(**) Term: **15 Years**

Primary Examiner — Ania Aman

(21) Appl. No.: **29/653,757**

(74) *Attorney, Agent, or Firm* — Finnegan, Henderson, Farabow, Garrett & Dunner, LLP

(22) Filed: **Jun. 18, 2018**

(51) **LOC (12) Cl.** **08-10**

(57) **CLAIM**

(52) **U.S. Cl.**
USPC **D12/15**

The ornamental design for a dumper body, as shown and described.

(58) **Field of Classification Search**
USPC D12/1, 15, 14; D15/10, 25, 28, 30, 33; D21/558, 559, 562, 564
CPC B60P 1/283; B60P 1/28; B60P 1/30; B60P 1/286; F16C 11/04; F16C 2326/01
See application file for complete search history.

DESCRIPTION

FIG. 1 is a bottom, front, left perspective view of a dumper body showing the new design;
FIG. 2 is a top, rear, left perspective view thereof;
FIG. 3 is another bottom, front, left perspective view thereof;
FIG. 4 is a bottom, rear, right perspective view thereof;
FIG. 5 is a rear elevation view thereof;
FIG. 6 is a front elevation view thereof;
FIG. 7 is a left side elevation view thereof;
FIG. 8 is a right side elevation view thereof;
FIG. 9 is a top plan view thereof;
FIG. 10 is a bottom plan view thereof; and,
FIG. 11 is an enlarged partial bottom, front, left perspective view as indicated in FIG. 1.

The broken lines of even length shown in the drawings illustrate portions of the dumper body that form no part of the claimed design. The broken lines of uneven length shown in FIGS. 1 and 11 indicate the area of FIG. 1 enlarged in FIG. 11.

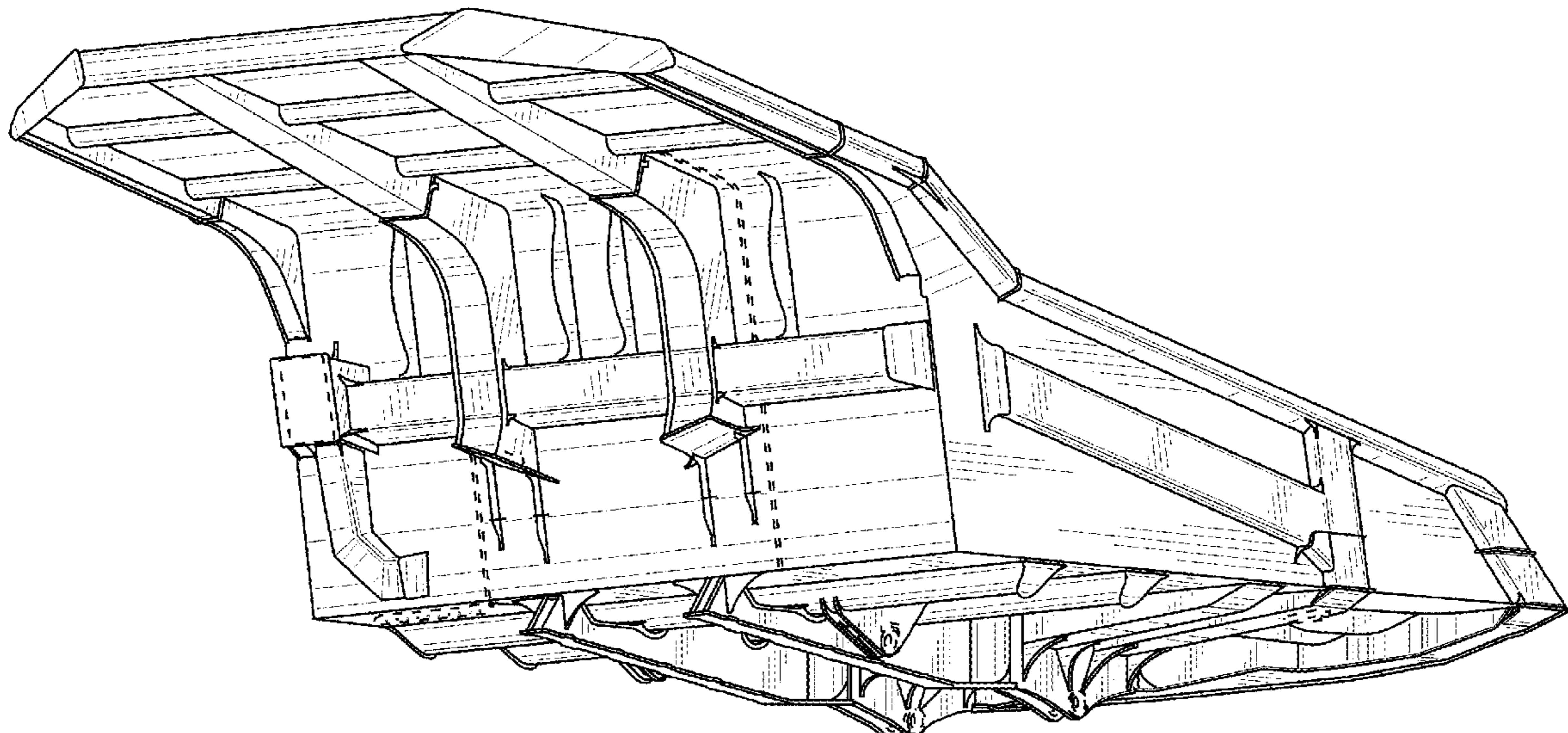
(56) **References Cited**

U.S. PATENT DOCUMENTS

5,555,699	A	9/1996	Borthick et al.	
D560,553	S *	1/2008	Vance	D12/15
7,789,467	B2	9/2010	Rogers et al.	
D649,169	S *	11/2011	Hall	D12/15
D654,096	S *	2/2012	Hall	D12/15
D720,653	S *	1/2015	Tschurbanoff	D12/15
9,751,445	B1	9/2017	Arul et al.	
D826,992	S *	8/2018	Bolinder	D15/10
2003/0178883	A1	9/2003	Hinds et al.	
2003/0218374	A1 *	11/2003	Kress	B60G 3/01 298/22 P
2013/0234468	A1 *	9/2013	Hall	B60P 1/28 296/183.2
2013/0255083	A1 *	10/2013	Hagenbuch	B62D 25/20 29/897.1

(Continued)

1 Claim, 11 Drawing Sheets



(56)

References Cited

U.S. PATENT DOCUMENTS

2014/0015279 A1* 1/2014 De Paula e Silva ... B60P 1/286
296/183.2
2014/0252801 A1* 9/2014 Hettinger B60P 1/28
296/183.2
2015/0001910 A1 1/2015 Natarajan et al.
2015/0165957 A1* 6/2015 Sarangapani B60P 1/286
296/183.2
2015/0375609 A1 12/2015 Mirzaei
2016/0355117 A1* 12/2016 Wang B60P 1/04
2017/0066309 A1 3/2017 Rissman et al.
2018/0022259 A1* 1/2018 Zamorano B62D 65/02
296/183.2
2018/0312097 A1* 11/2018 Petrie B60P 1/283
2018/0361848 A1* 12/2018 Kesani B60K 13/04
2019/0263311 A1* 8/2019 Robbs B60P 1/286

OTHER PUBLICATIONS

U.S. Appl. No. 16/010,562; Dump Body That Includes a Pivot Assembly With Externally Accessible Gussets; Samuel Arul; filed Jun. 18, 2018.

U.S. Appl. No. 29/653,763; Dumper Body; Daniel R. Hettinger; filed Jun. 18, 2018.

* cited by examiner

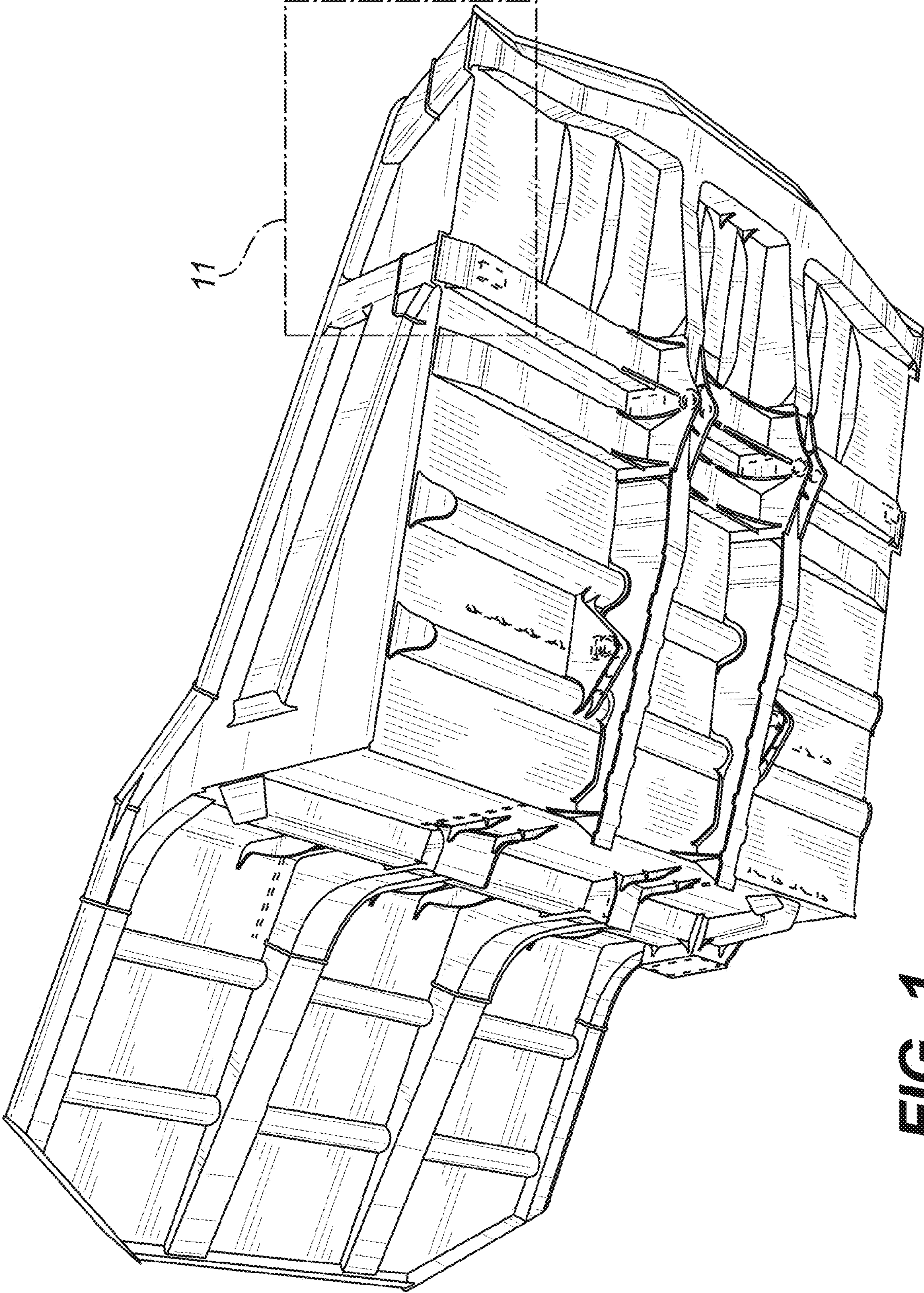


FIG. 1

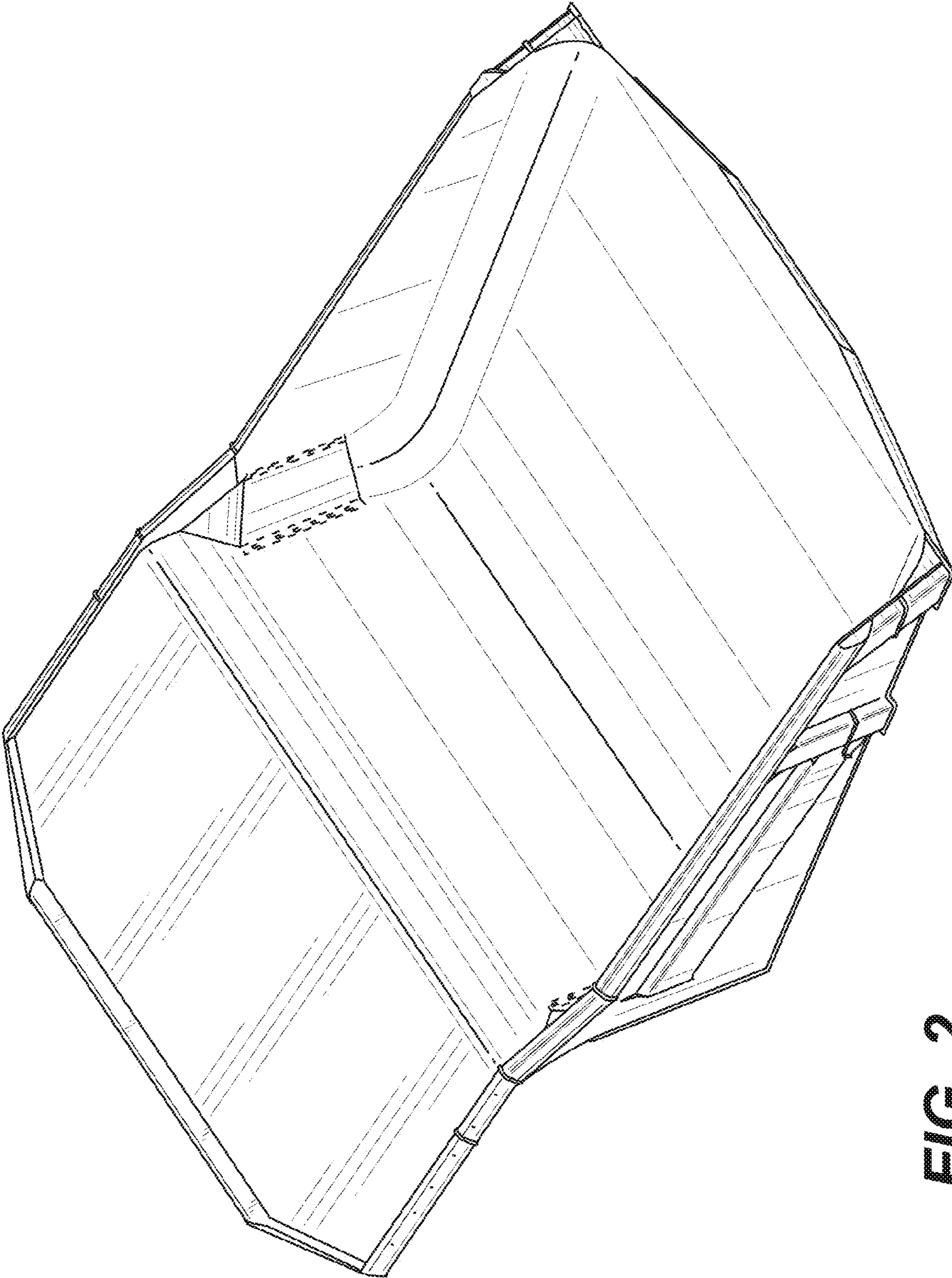


FIG. 2

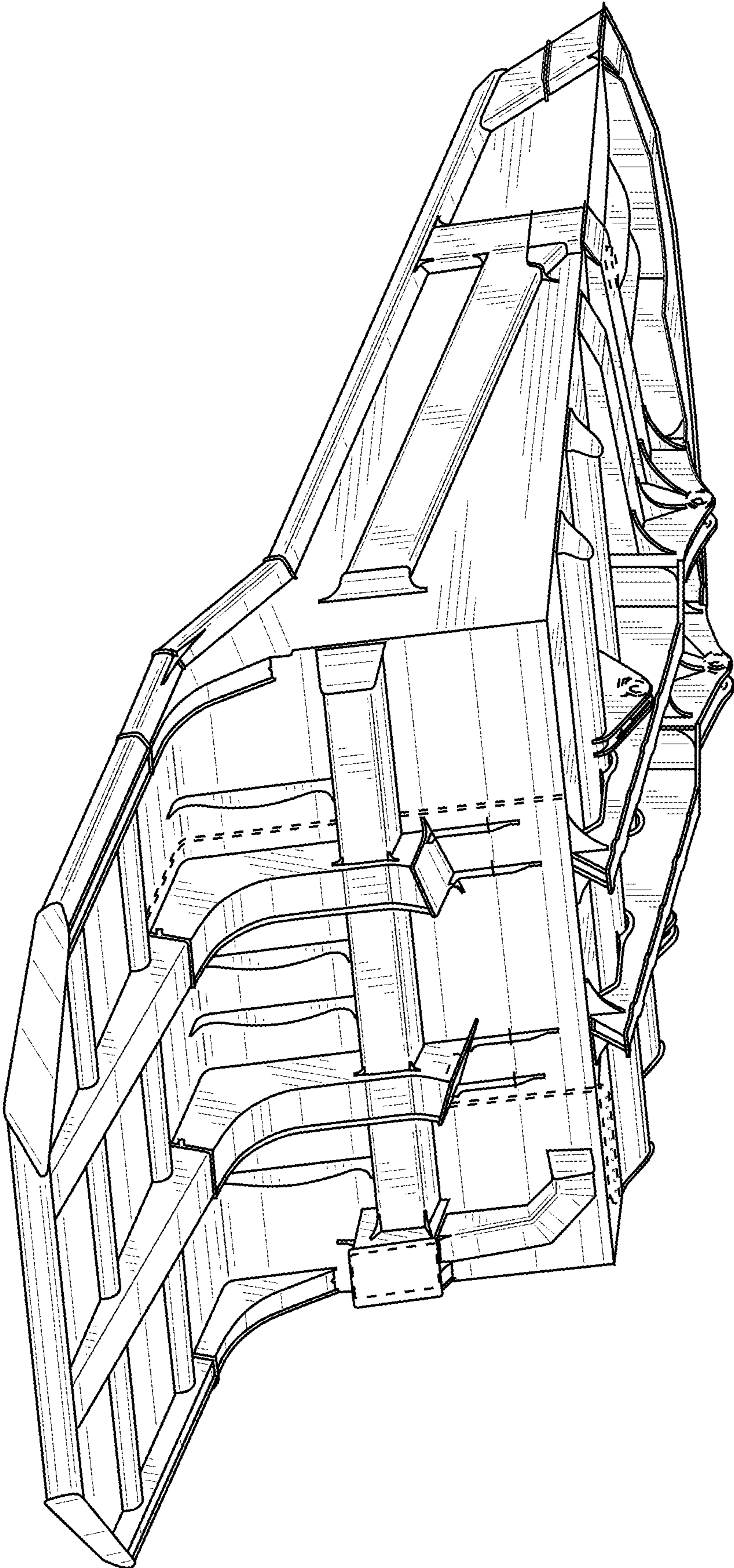


FIG. 3

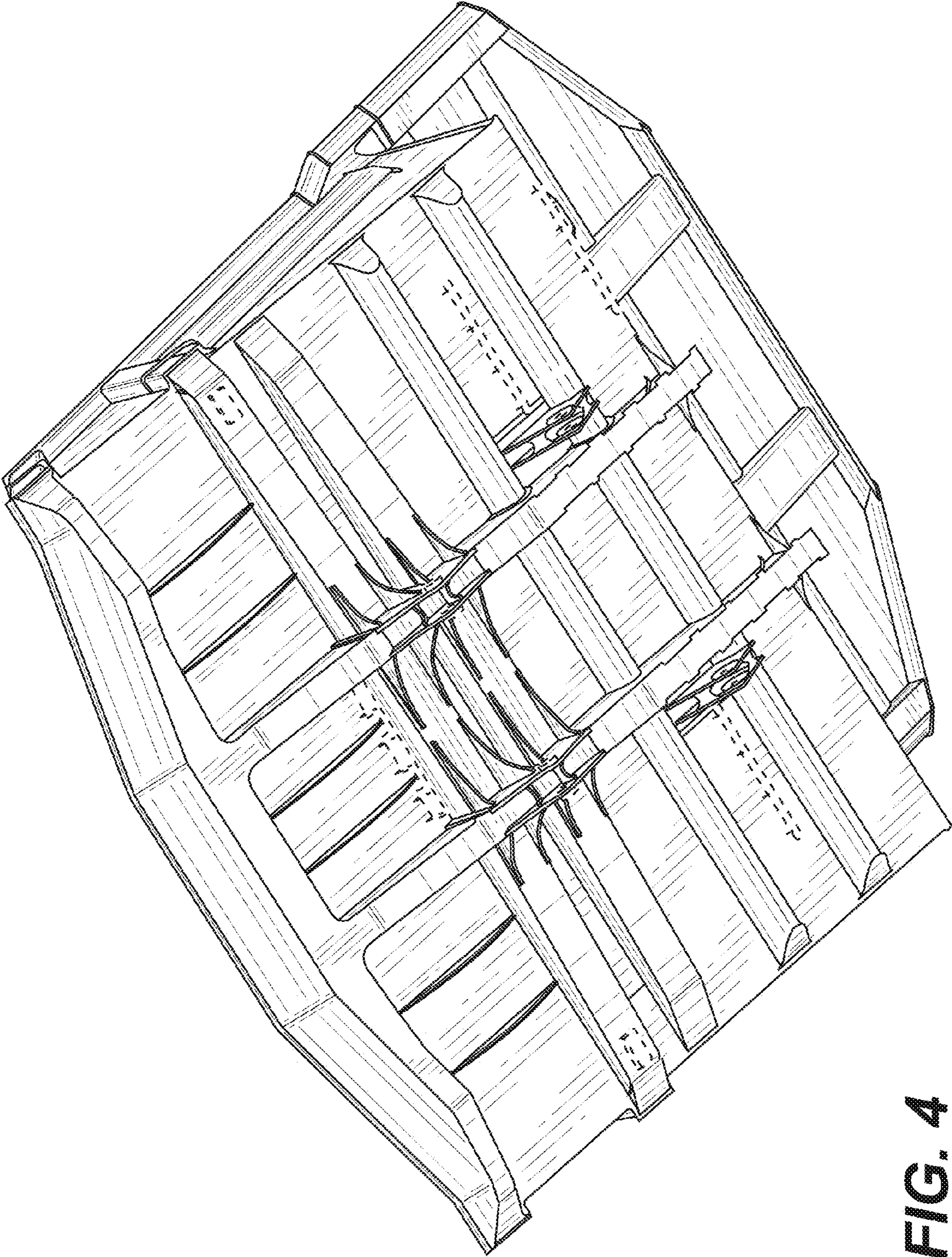


FIG. 4

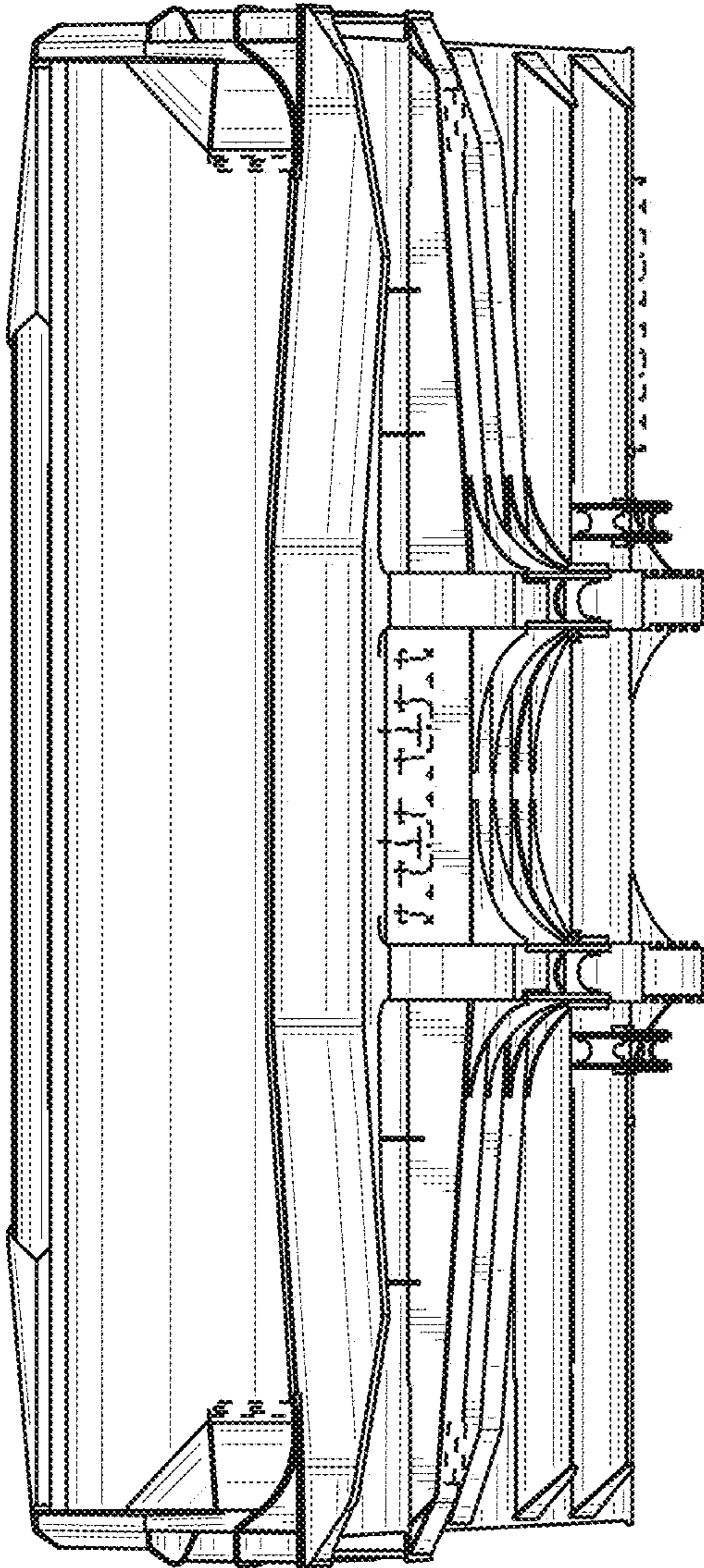


FIG. 5

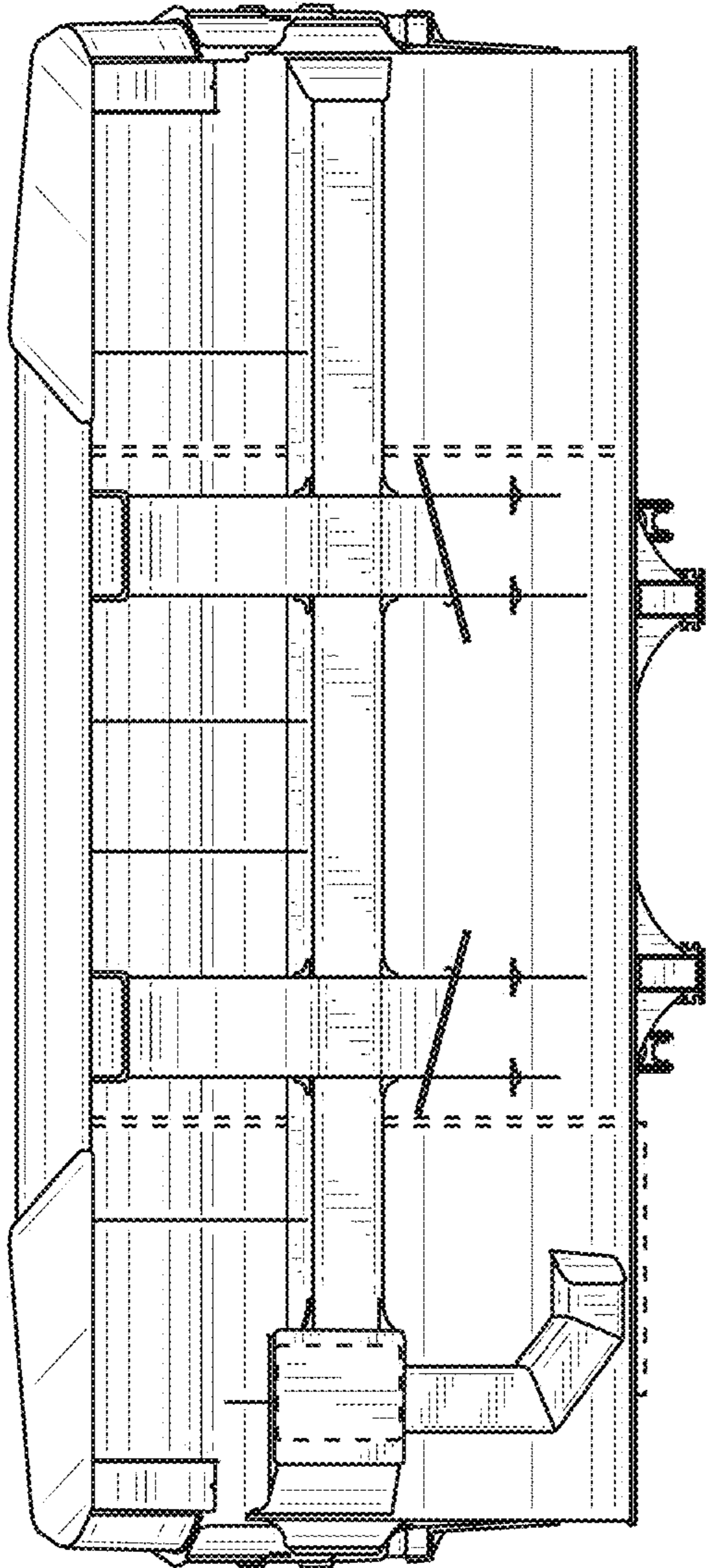


FIG. 6

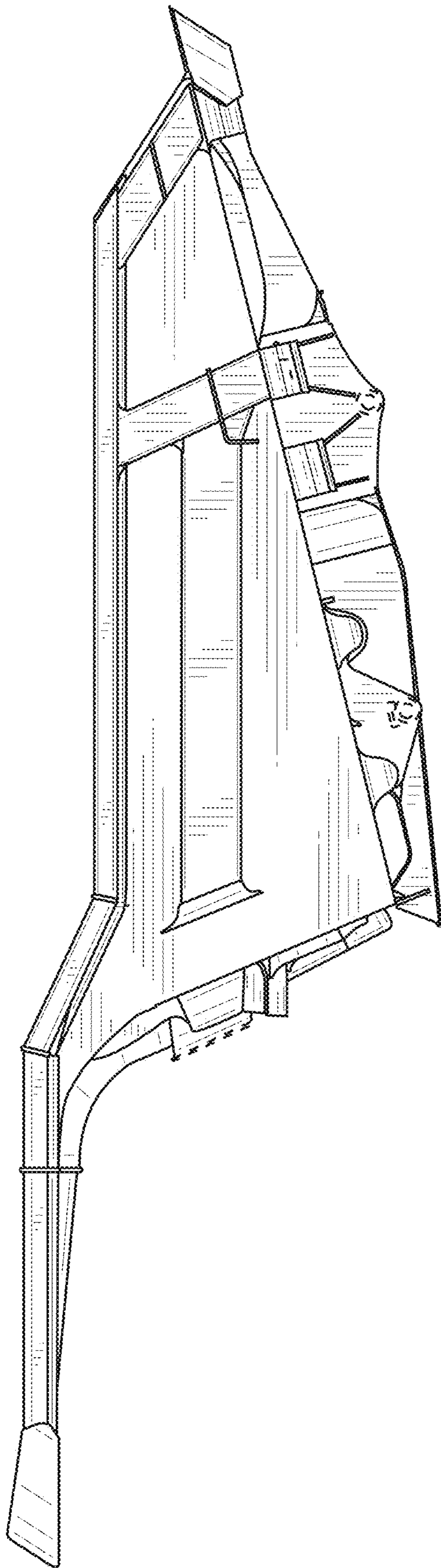


FIG. 7

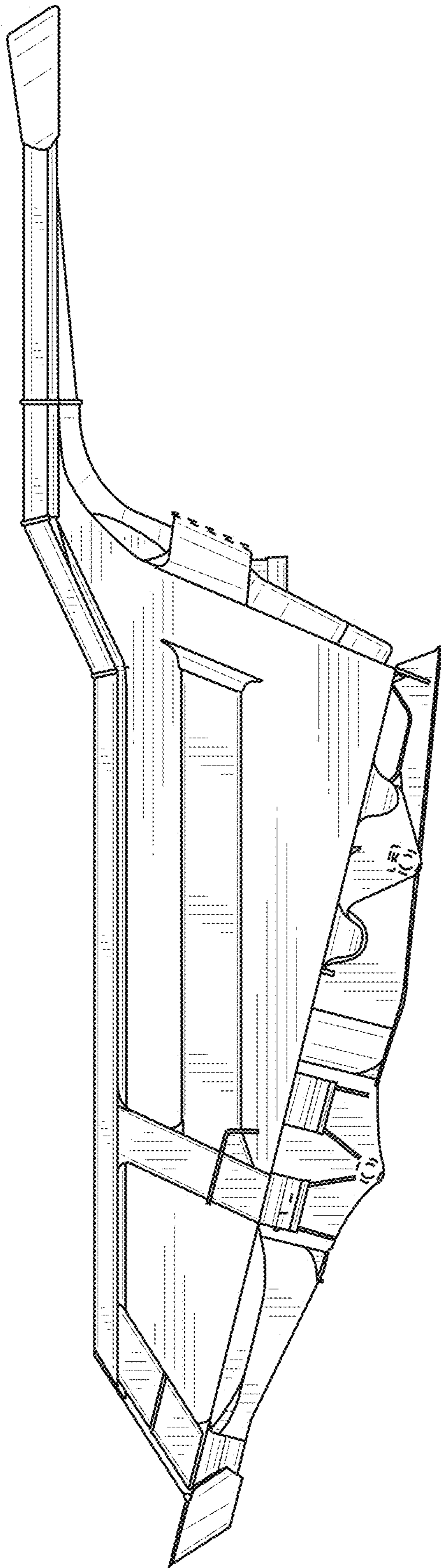


FIG. 8

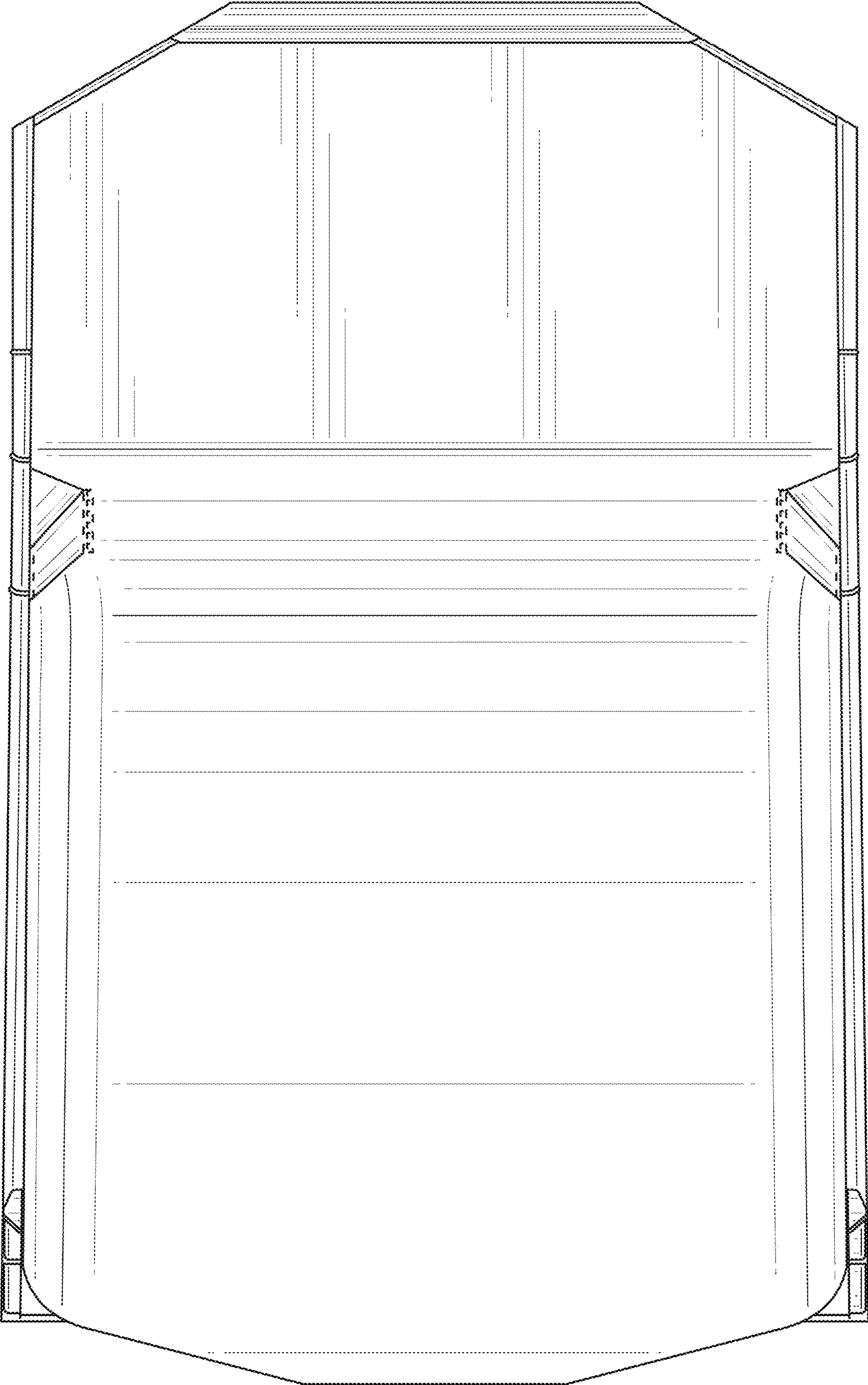


FIG. 9

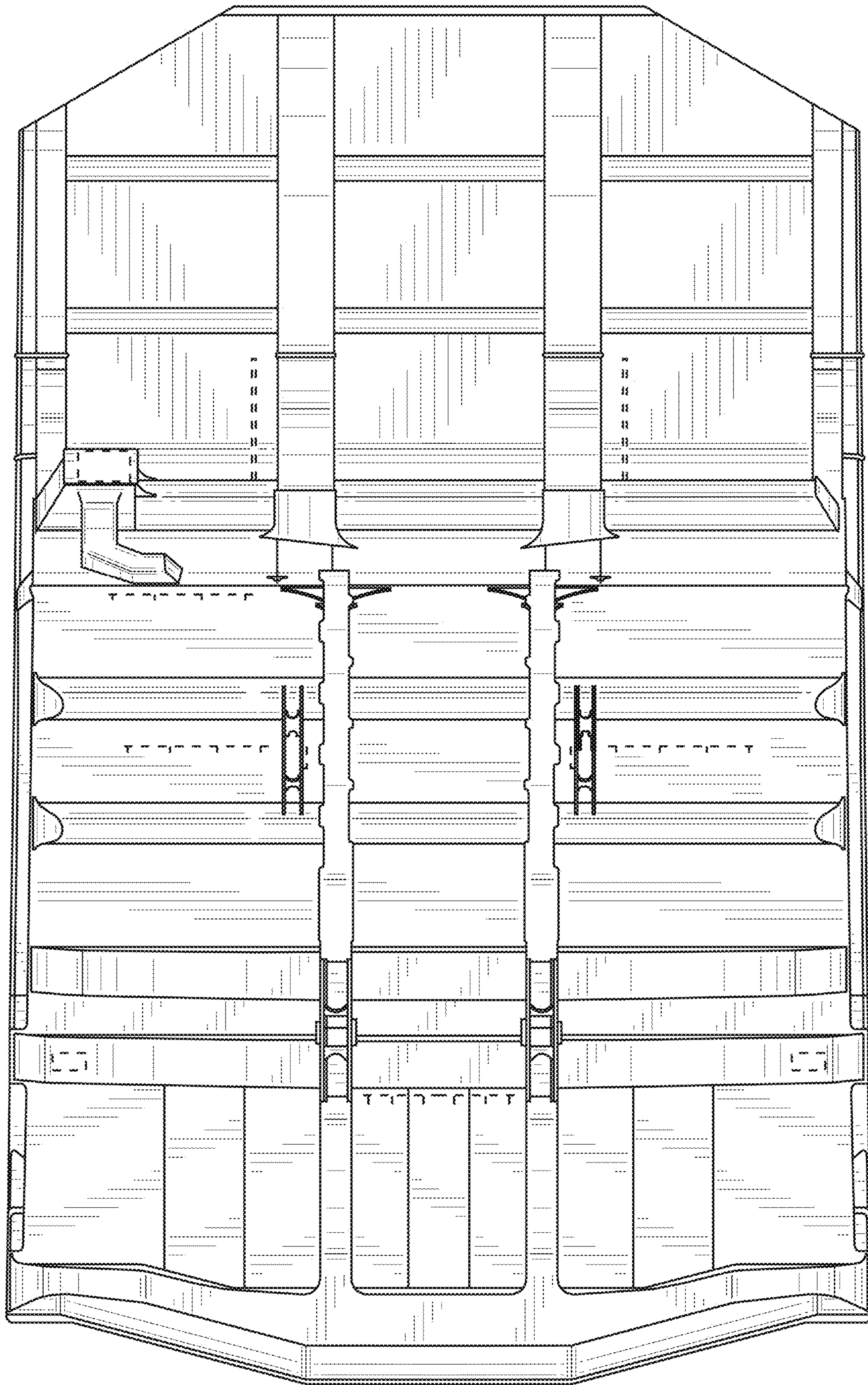


FIG. 10

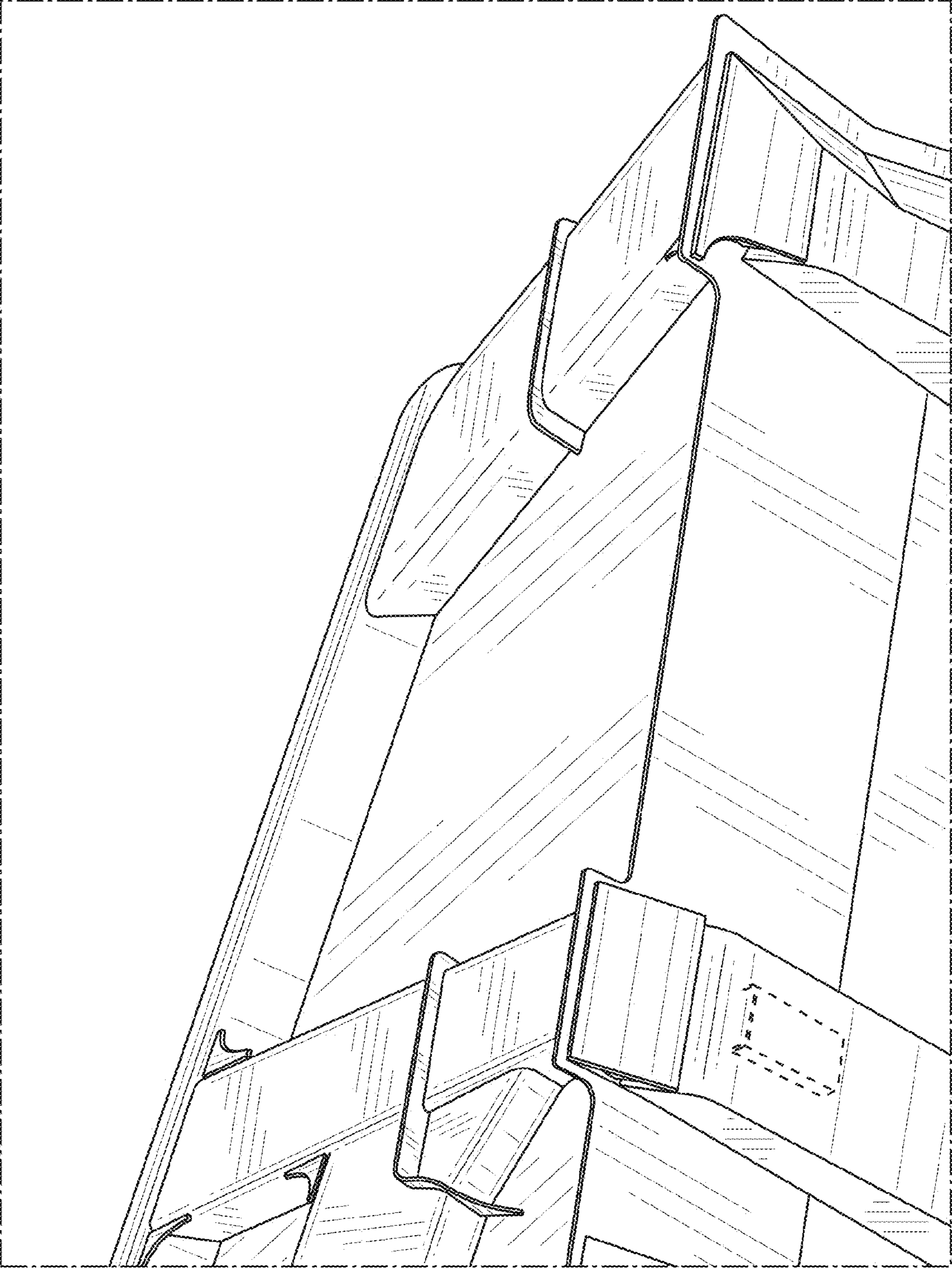


FIG. 11