



US00D886672S

(12) **United States Design Patent**  
**Whitfield et al.**

(10) **Patent No.:** **US D886,672 S**  
(45) **Date of Patent:** **\*\* Jun. 9, 2020**

- (54) **UTILITY VEHICLE**
- (71) Applicant: **Club Car, LLC**, Evans, GA (US)
- (72) Inventors: **Richard Eugene Whitfield**, Evans, GA (US); **Dean J. Long**, Bradenton, FL (US)
- (73) Assignee: **Club Car, LLC**, Evans, GA (US)
- (\*\*) Term: **15 Years**
- (21) Appl. No.: **29/657,636**
- (22) Filed: **Jul. 24, 2018**
- (51) **LOC (12) Cl.** ..... **12-13**
- (52) **U.S. Cl.**  
USPC ..... **D12/14**
- (58) **Field of Classification Search**  
USPC ..... D12/1, 12, 14, 15, 16, 86, 87, 173;  
D21/424  
CPC ..... B62D 23/00; B62D 21/18; B62D 21/183;  
B62D 24/02; B62D 25/00; B62D 39/00;  
B62D 49/06; B62D 49/0621  
See application file for complete search history.

- D712,309 S \* 9/2014 Wu ..... D12/14
- D721,012 S \* 1/2015 Zhang ..... D12/16
- D762,141 S \* 7/2016 Zhou ..... D12/16
- D800,015 S \* 10/2017 Lyons ..... D12/16
- D809,968 S \* 2/2018 Lacock ..... D12/16
- D810,620 S \* 2/2018 Lacock ..... D12/16
- D852,674 S \* 7/2019 Wilcox ..... D12/87
- D859,210 S \* 9/2019 Lyons ..... D12/16

\* cited by examiner

*Primary Examiner* — Ania Aman

(74) *Attorney, Agent, or Firm* — Taft Stettinius & Hollister LLP

(57) **CLAIM**

The ornamental design for an utility vehicle, as shown and described.

**DESCRIPTION**

FIG. 1 is a front side perspective side view of a utility vehicle.

FIG. 2 is a front elevation view of the utility vehicle shown in FIG. 1.

FIG. 3 is a right side view of the utility vehicle shown in FIG. 1; the left side view of the utility vehicle being identical thereto; and,

FIG. 4 is a top plan view of the utility vehicle shown in FIG. 1.

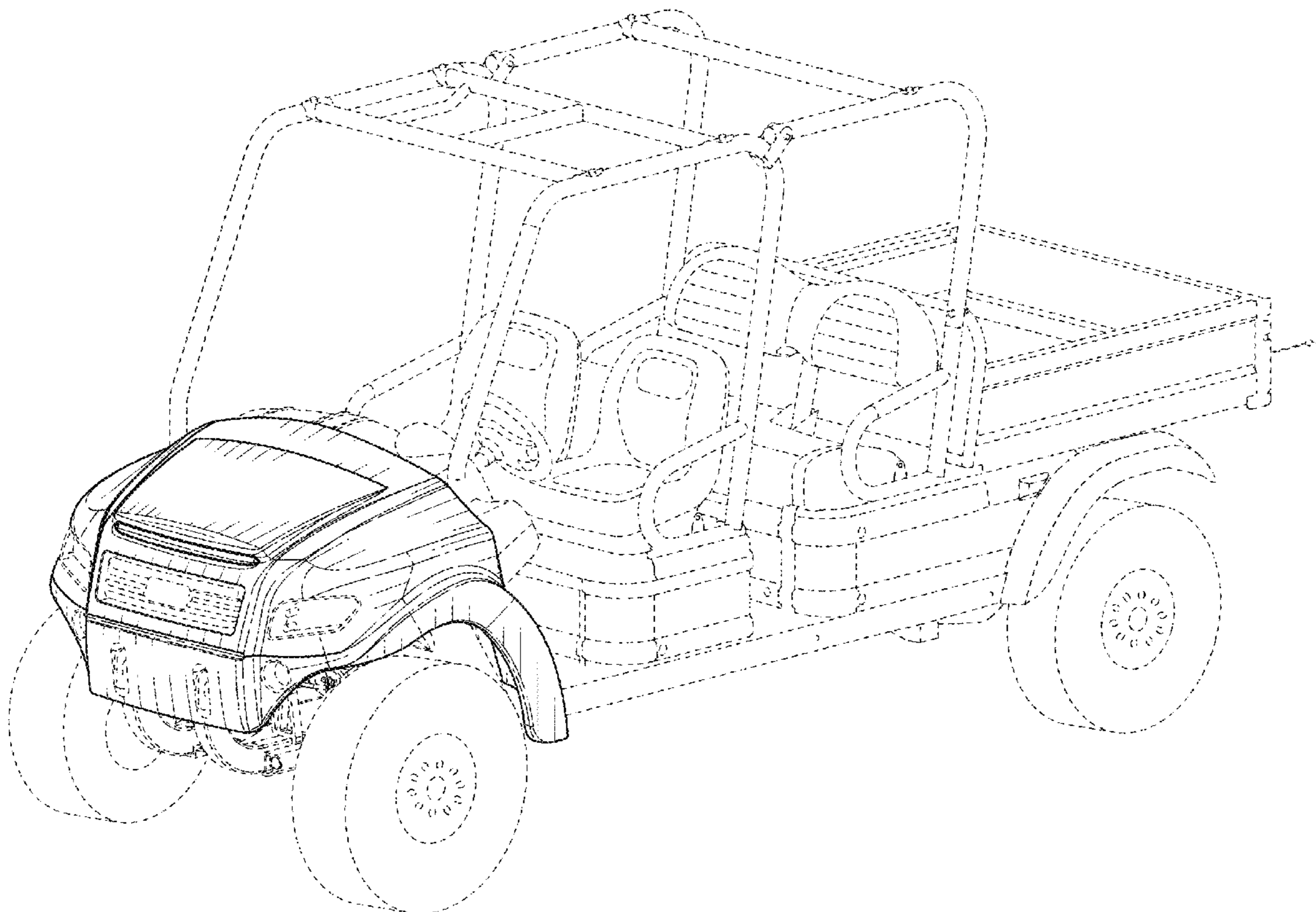
The broken lines shown in the figures are for the purpose of illustrating either the environment or portions of the utility vehicle that form no part of the claimed design.

**1 Claim, 4 Drawing Sheets**

(56) **References Cited**

**U.S. PATENT DOCUMENTS**

- D472,857 S \* 4/2003 Weber ..... D12/173
- D552,522 S \* 10/2007 Sandy ..... D12/196
- D640,594 S \* 6/2011 Zhang ..... D12/1



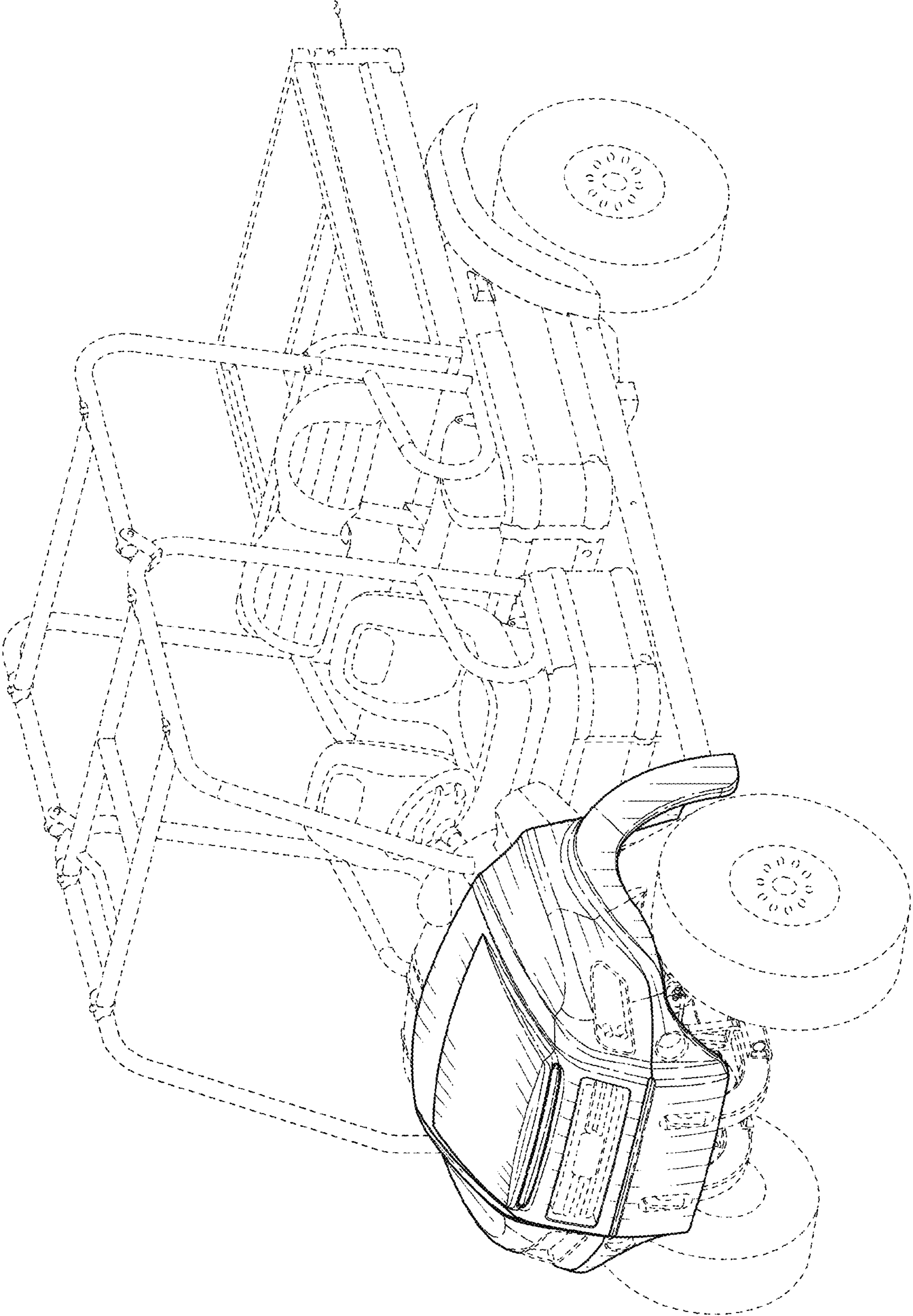


FIG. 1

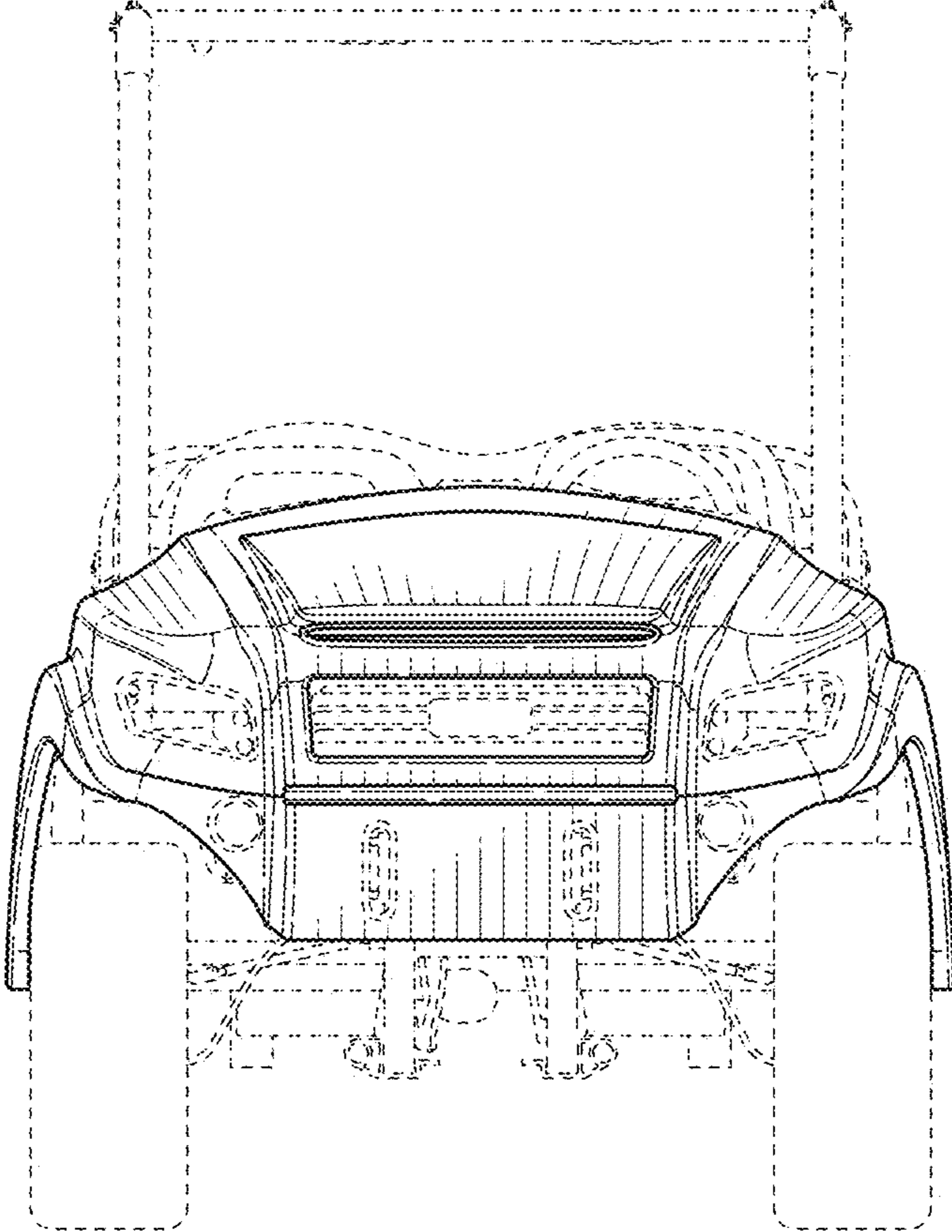


FIG. 2

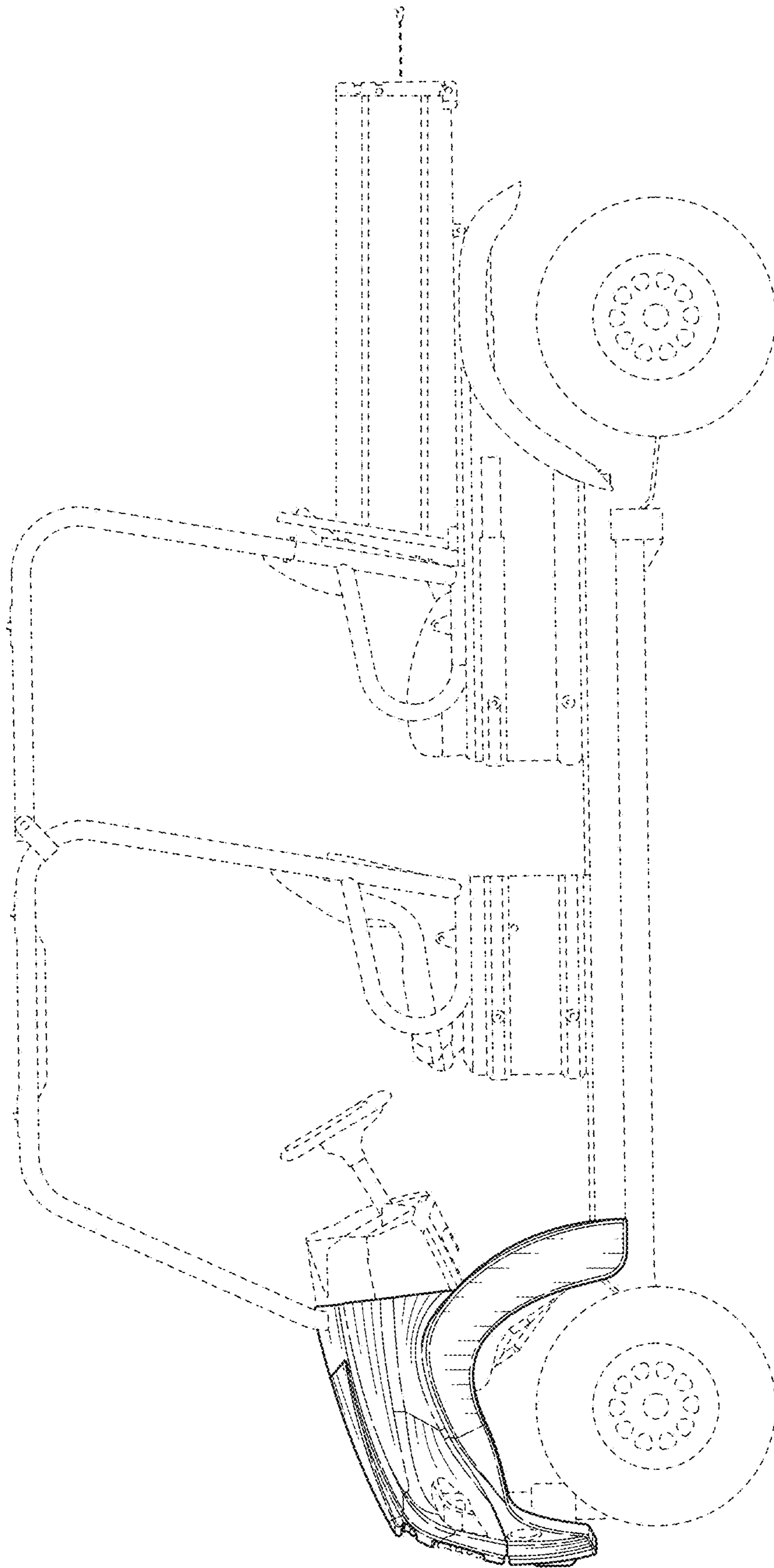


FIG. 3

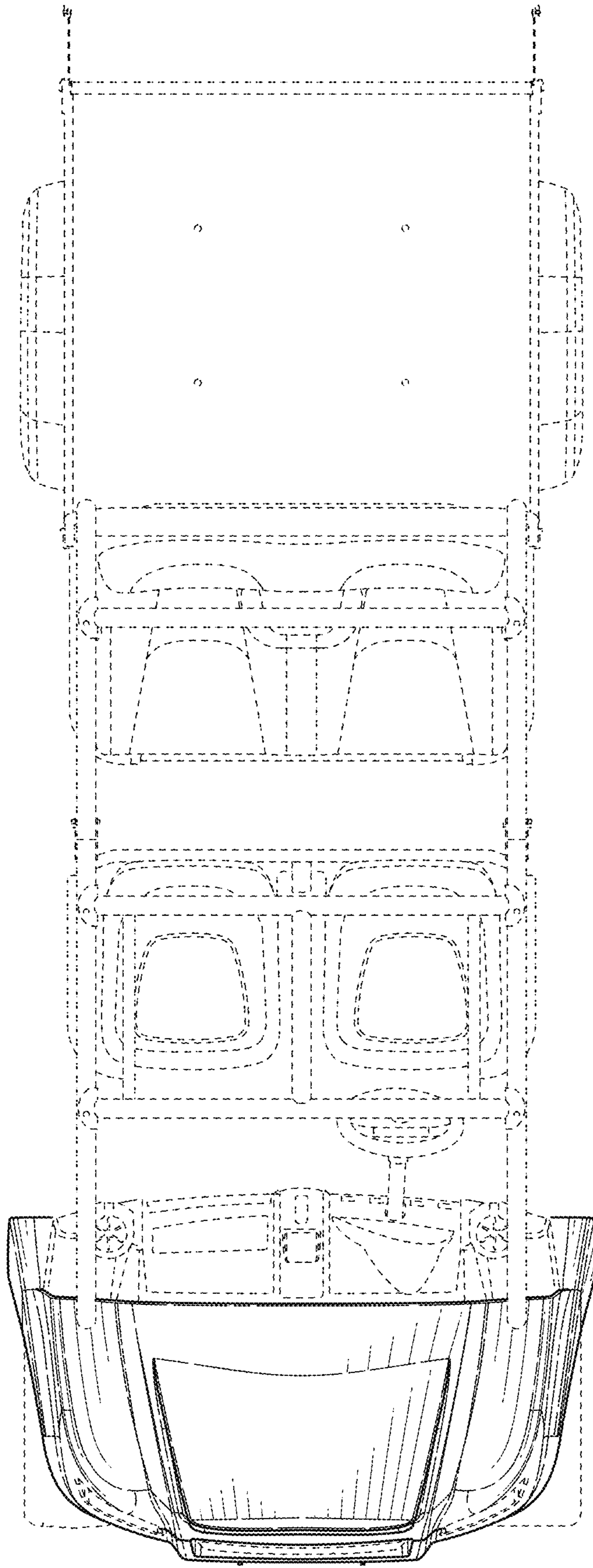


FIG. 4