



US00D886668S

(12) **United States Design Patent** (10) **Patent No.:** **US D886,668 S**  
**Barker et al.** (45) **Date of Patent:** **\*\* Jun. 9, 2020**

(54) **CLIP FOR ENGAGING A SAFETY BELT STRAP**

(71) Applicant: **Carfoldio LTD.**, Raanana (IL)

(72) Inventors: **Derrick Barker**, Bishampton (GB);  
**Christopher Lester**, Worcester (GB);  
**Jon Sumroy**, Raanana (IL)

(73) Assignee: **CARFOLDIO LTD.**, Raanana (IL)

(\*\*) Term: **15 Years**

(21) Appl. No.: **29/635,978**

(22) Filed: **Feb. 5, 2018**

(51) **LOC (12) Cl.** ..... **02-07**

(52) **U.S. Cl.**  
USPC ..... **D11/218**

(58) **Field of Classification Search**  
USPC ..... D2/624, 626, 627, 633, 639, 640, 853,  
D2/923; D3/24, 213, 215, 216, 230;  
D8/14, 331, 343, 349, 356, 358, 359, 360,  
D8/363, 366, 371, 382, 394, 395;  
D10/32, 38; D11/1, 2, 3, 12, 16, 86, 87,  
D11/93, 200, 201, 206–210, 212–218,  
D11/229–237; D12/195, 416;  
D29/100–101.5, 122, 129, 130; D30/139,  
D30/152, 153

CPC ..... A44B 11/00; A44B 11/02; A44B 11/04;  
A44B 11/05; A44B 11/06; A44B 11/10;  
A44B 11/14; A44B 11/18; A44B 11/22;  
A44B 11/25; A44B 11/26; A44B 11/125;  
A44B 11/223; A44B 11/001; A44B  
11/005; A44B 11/006; A44B 11/2503;  
A44B 11/2507; A44B 11/2526; A44B  
11/2553; A44B 11/2592; A41F 1/008;  
A41F 9/002; A41F 9/007; A41F 11/06;  
B60R 22/30; B60R 22/32; B60R 22/022;  
B60R 2022/1806; B60R 2022/1812;  
B60R 2022/281; B65D 63/16; A62B  
35/00

See application file for complete search history.

(56) **References Cited**

U.S. PATENT DOCUMENTS

D113,974 S *	3/1939	Manning .....	D11/218
D226,349 S *	2/1973	Brophy .....	D8/394
D226,649 S *	4/1973	Patriquin .....	D8/331
D239,815 S *	5/1976	Oakes .....	D8/394
D385,825 S *	11/1997	Johnson, III .....	D11/200
D471,678 S *	3/2003	Hanna .....	D11/218
D594,381 S *	6/2009	Gurule .....	D11/212
D600,160 S *	9/2009	Kosh .....	D11/218
D651,123 S *	12/2011	Kaneko .....	D11/218
D686,109 S *	7/2013	Iannello .....	D11/218
D739,302 S *	9/2015	Nilsen .....	D11/218

(Continued)

OTHER PUBLICATIONS

Mifold: The Portable Booster Seat (available online Feb. 16, 2017)  
Retrieved from the internet Jun. 28, 2019 from URL: <https://www.mommygearest.com/mifold-booster-seat-review/>.\*

*Primary Examiner* — Kevin K Rudzinski

*Assistant Examiner* — Richard Kearney

(74) *Attorney, Agent, or Firm* — Robert G. Lev

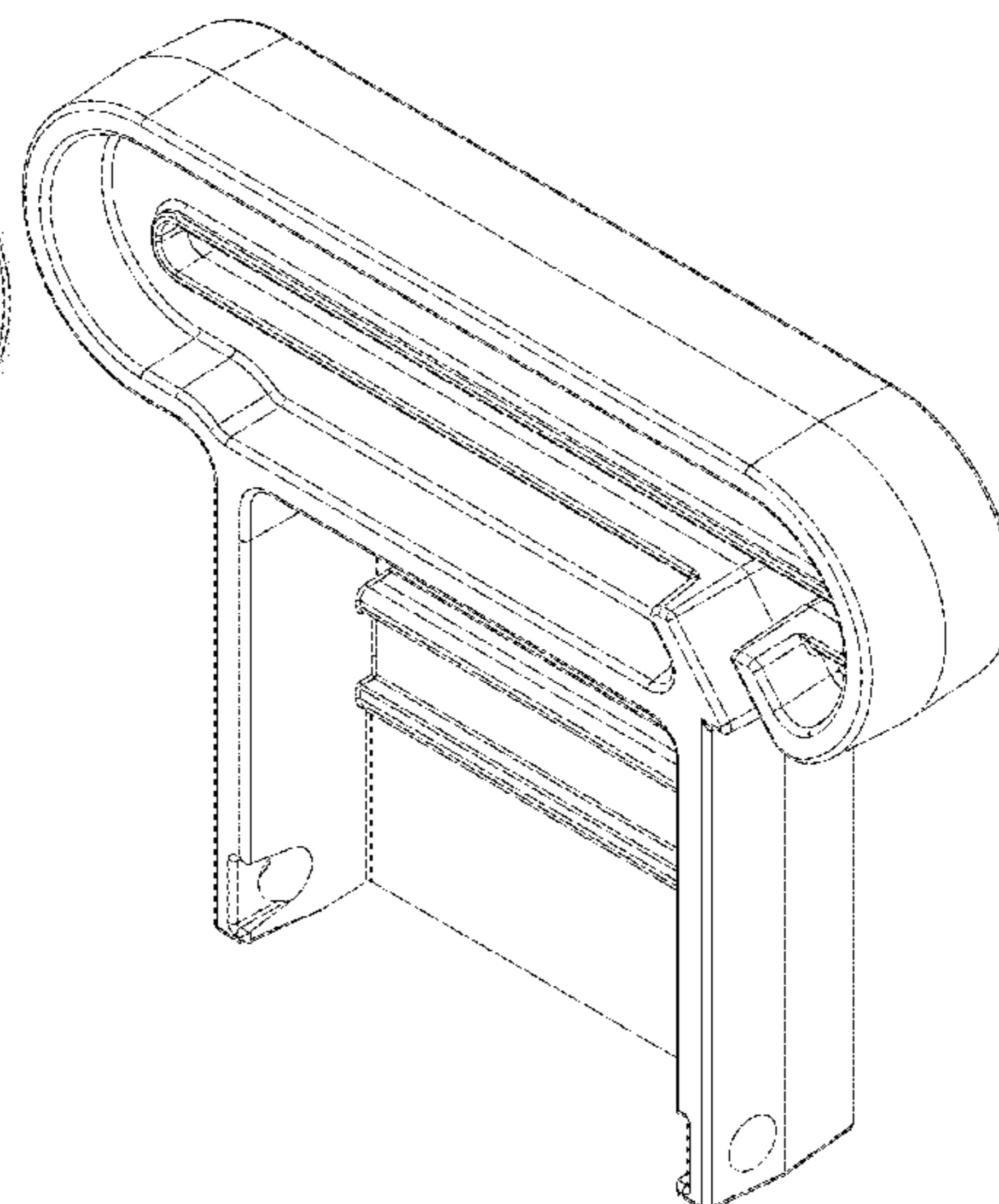
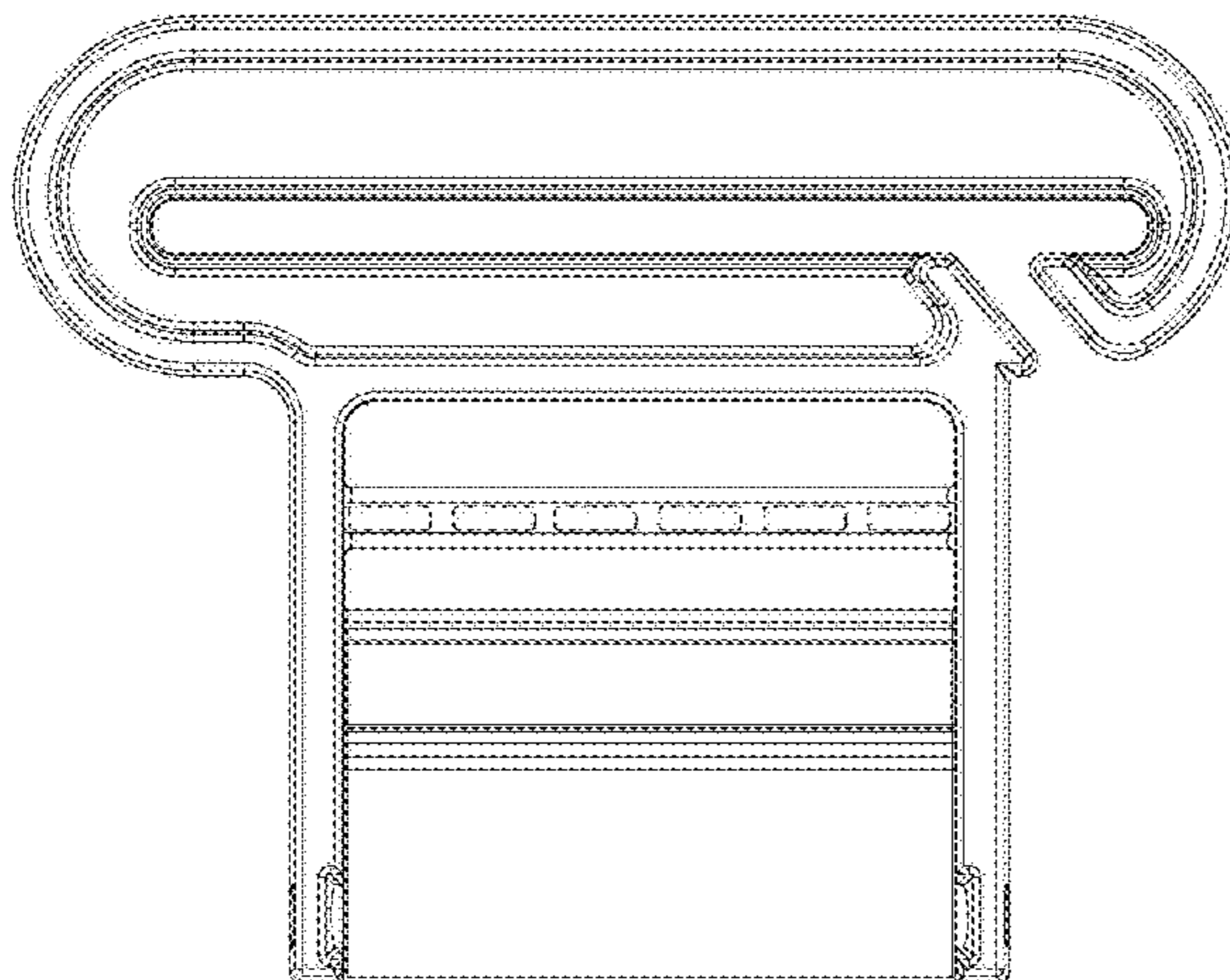
(57) **CLAIM**

We claim the ornamental design for a clip for engaging a safety belt strap, as shown and described.

**DESCRIPTION**

FIG. 1 is a front view of the inventive clip.  
FIG. 2 is a rear view of the clip.  
FIG. 3 is a left side view of the clip.  
FIG. 4 is a right side view of the clip.  
FIG. 5 is a top view of the clip.  
FIG. 6 is a bottom view of the clip; and,  
FIG. 7 is a front perspective view of the clip.  
The broken lines shown in the drawings illustrate portions of the article and form no part of the claimed design.

**1 Claim, 5 Drawing Sheets**



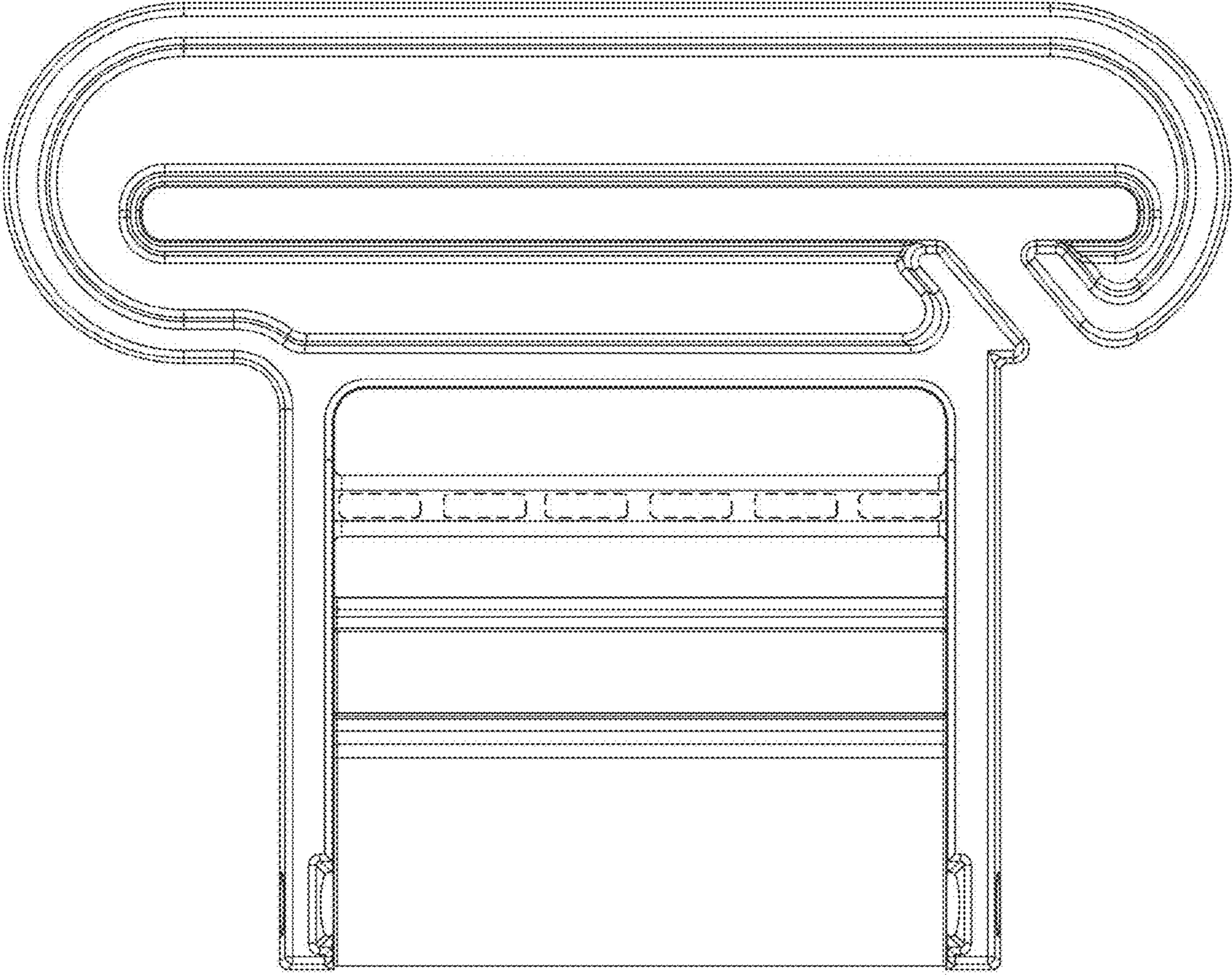
(56)

**References Cited**

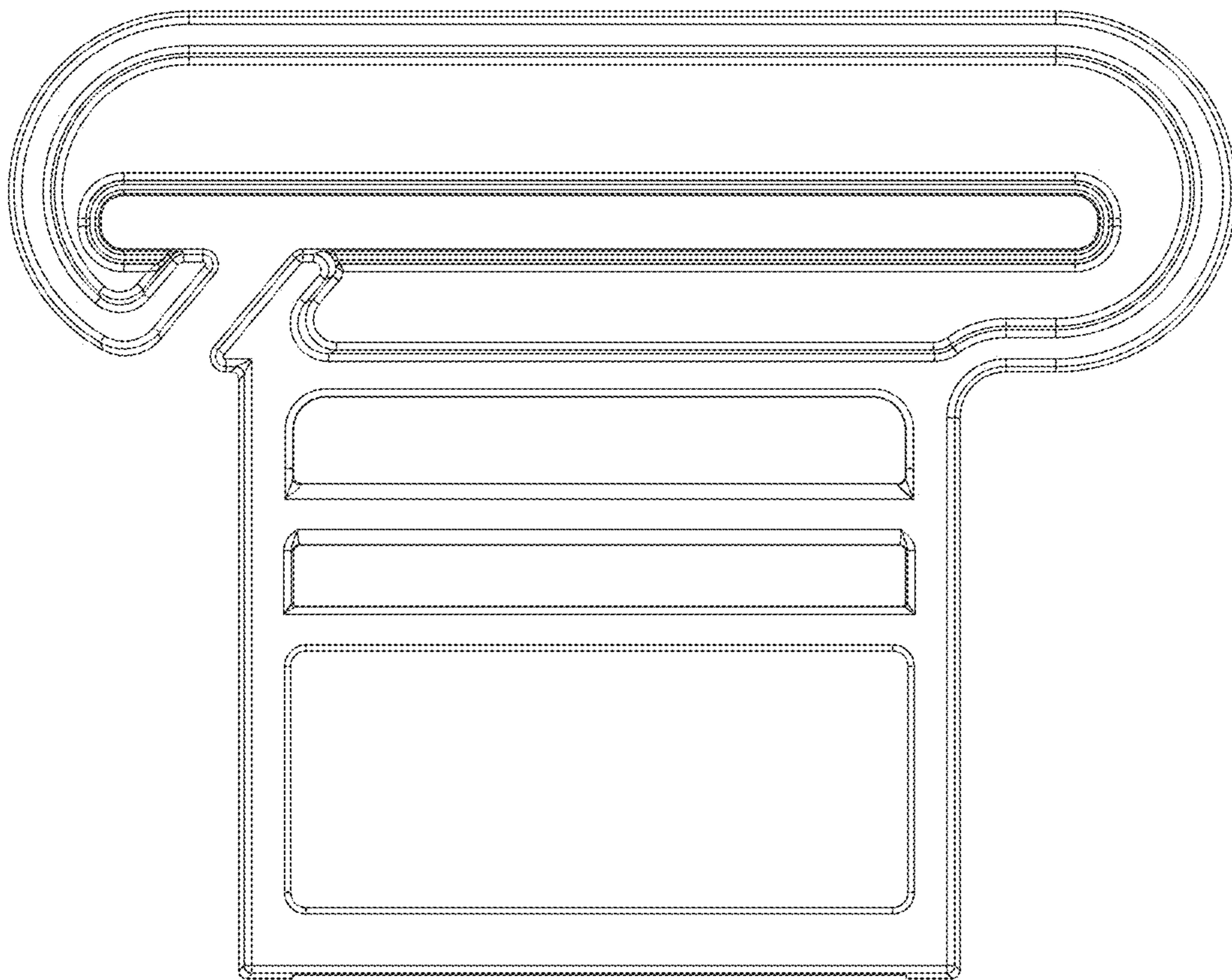
U.S. PATENT DOCUMENTS

D749,012 S \* 2/2016 Paik ..... D11/216  
D782,362 S \* 3/2017 Sumroy ..... D11/216

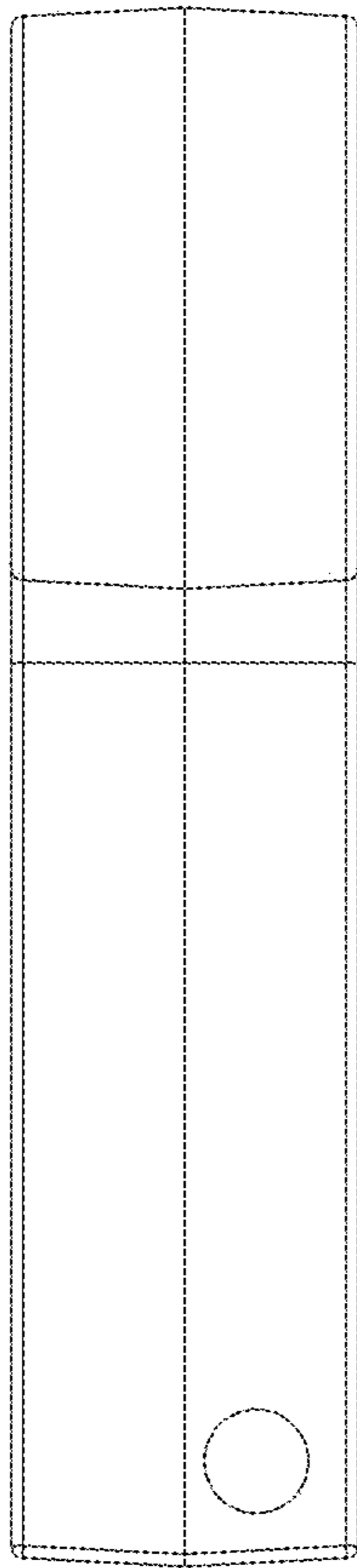
\* cited by examiner



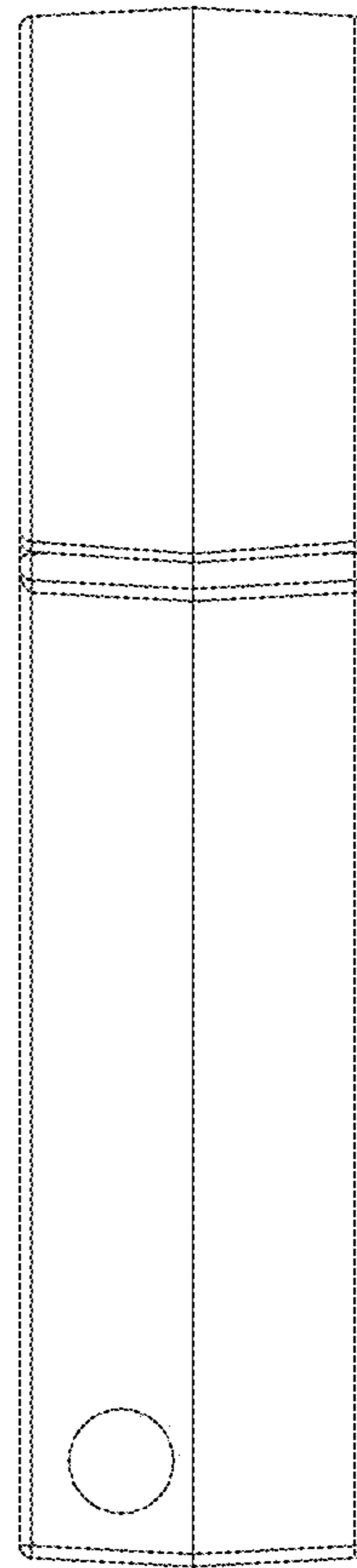
*FIG. 1*



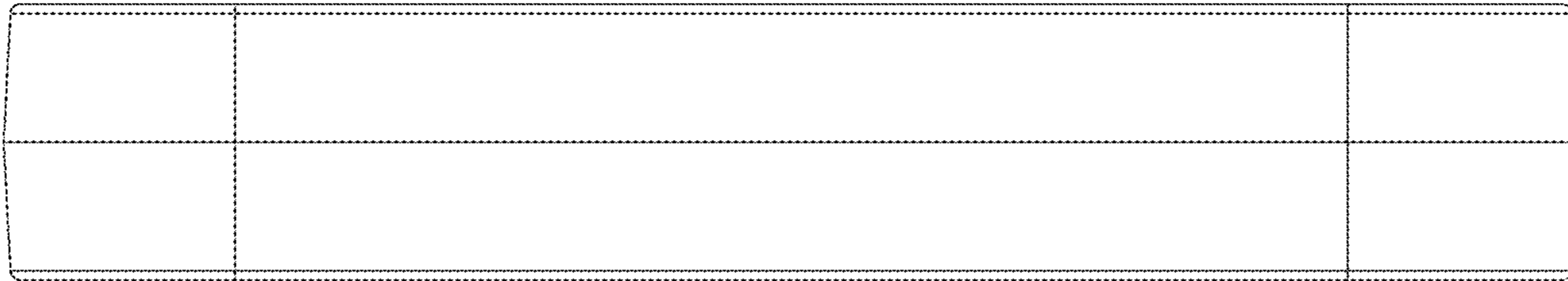
*FIG. 2*



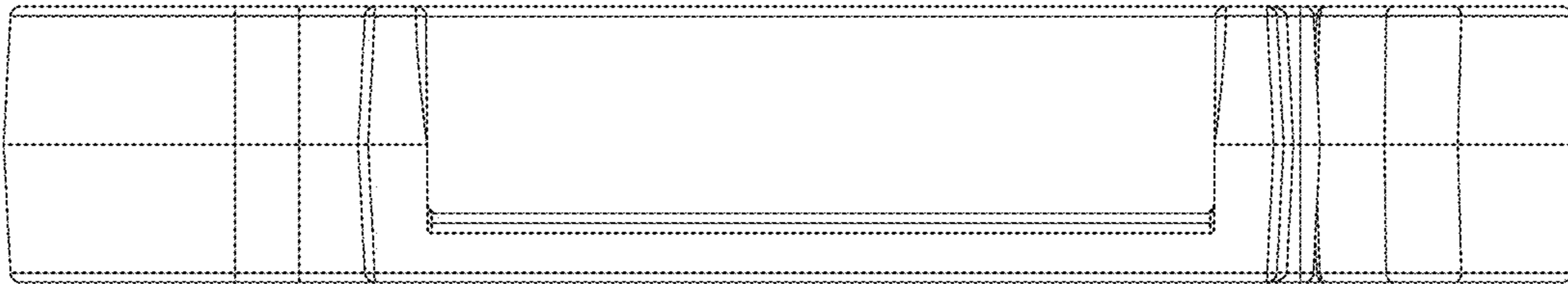
*FIG. 3*



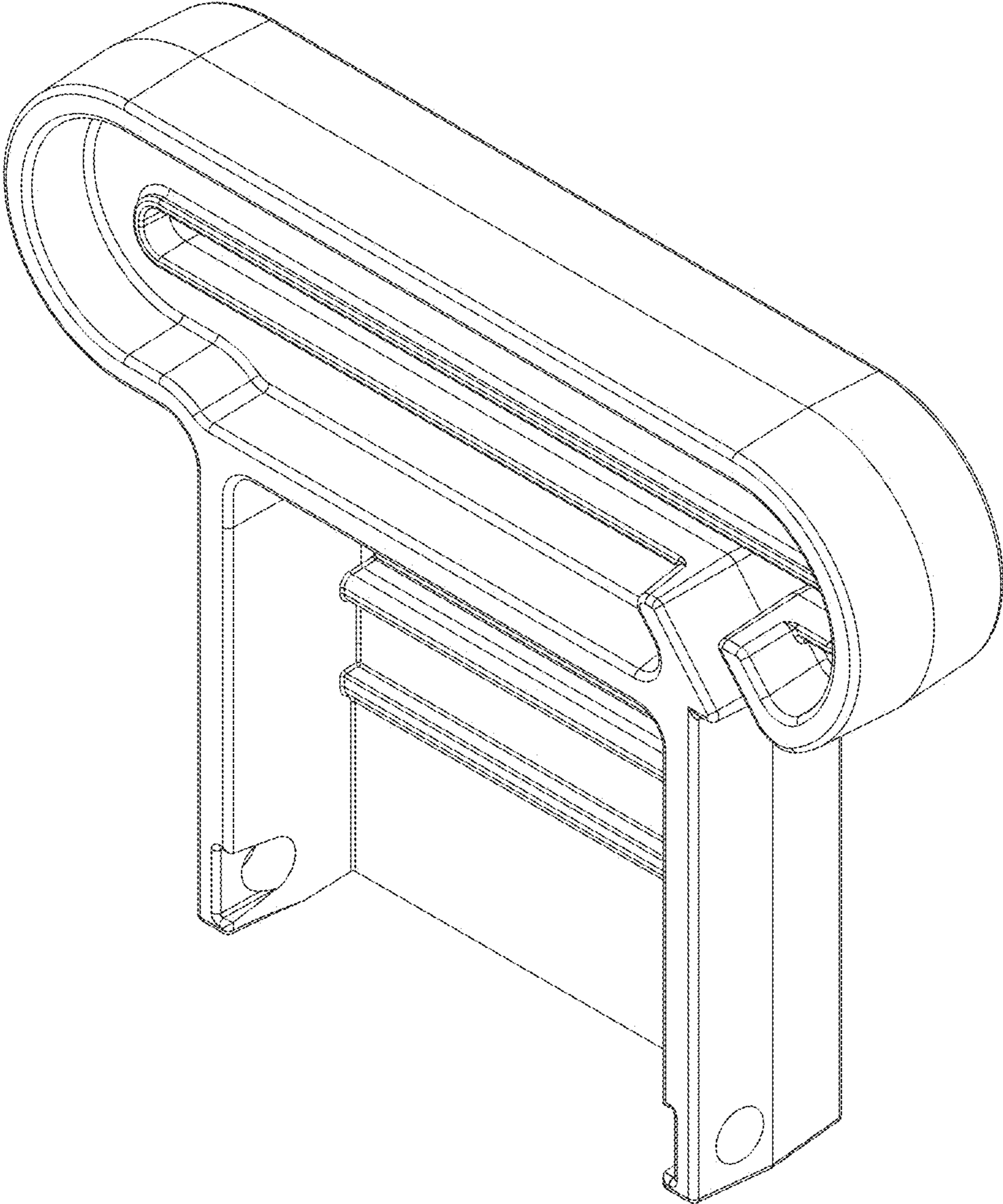
*FIG. 4*



*FIG. 5*



*FIG. 6*



*FIG. 7*