



US00D886667S

(12) **United States Design Patent**
Andersson et al.

(10) **Patent No.:** **US D886,667 S**
(45) **Date of Patent:** **** Jun. 9, 2020**

(54) **BUCKLE**

2022/1806; B60R 2022/1812; B60R
2022/281; B65D 63/16; A62B 35/00

(71) Applicant: **BabyBjörn AB**, Solna (SE)

See application file for complete search history.

(72) Inventors: **Henrik Andersson**, Reftete (SE); **Jonas Dolk**, Dalarö (SE); **Mårten Andréén**, Spånga (SE); **Ulrika Vejbrink**, Hägersten (SE)

(56) **References Cited**

U.S. PATENT DOCUMENTS

D180,624 S * 7/1957 Souter D10/62
3,979,782 A * 9/1976 Lamb E04H 4/10
4/502
D293,766 S * 1/1988 Lamb 296/98

(Continued)

(73) Assignee: **BabyBjörn AB**, Solna (SE)

(**) Term: **15 Years**

FOREIGN PATENT DOCUMENTS

(21) Appl. No.: **29/649,967**

CN 304884023 * 11/2018

(22) Filed: **Jun. 4, 2018**

(30) **Foreign Application Priority Data**

Dec. 14, 2017 (EM) 004547388-0001

(51) **LOC (12) Cl.** **02-07**

(52) **U.S. Cl.**
USPC **D11/216**

(58) **Field of Classification Search**

USPC D2/624–640, 853, 976; D11/1–3, 87, 93,
D11/200, 201, 206–210, 212–219, 220,
D11/230–237; D29/100–101.5, 122, 129;
D30/139, 152, 153; D3/24, 213, 215,
D3/216, 230, 222; D8/14, 16, 19, 331,
D8/343, 349, 356, 358, 359, 360, 363,
D8/366, 371, 382, 394, 395, 383;
D6/333, 339

CPC A44B 11/00; A44B 11/02; A44B 11/04;
A44B 11/05; A44B 11/06; A44B 11/10;
A44B 11/14; A44B 11/18; A44B 11/22;
A44B 11/26; A44B 11/125; A44B 11/233;
A44B 11/001; A44B 11/005; A44B
11/006; A44B 11/2503; A44B 11/2507;
A44B 11/2526; A44B 11/2553; A44B
11/2592; A44B 11/2519; A44B 11/2452;
A44B 13/00; A41F 1/008; A41F 9/002;
A41F 9/007; A41F 15/002; B60R 22/30;
B60R 22/32; B60R 22/002; B60R

OTHER PUBLICATIONS

Baby Carrier One—Babybjörn, no date available, [online], [site visited Jan. 10, 2020]. Retrieved from url:https://www.babybjorn.com/baby-carriers/baby-carrier-one/?attribute_pa_color=classic-denim-midnight-blue&attribute_pa_material=cotton-mix (Year: 2020).*

Primary Examiner — Michelle E. Wilson

Assistant Examiner — Tracey J Bell

(74) *Attorney, Agent, or Firm* — Studebaker & Brackett PC

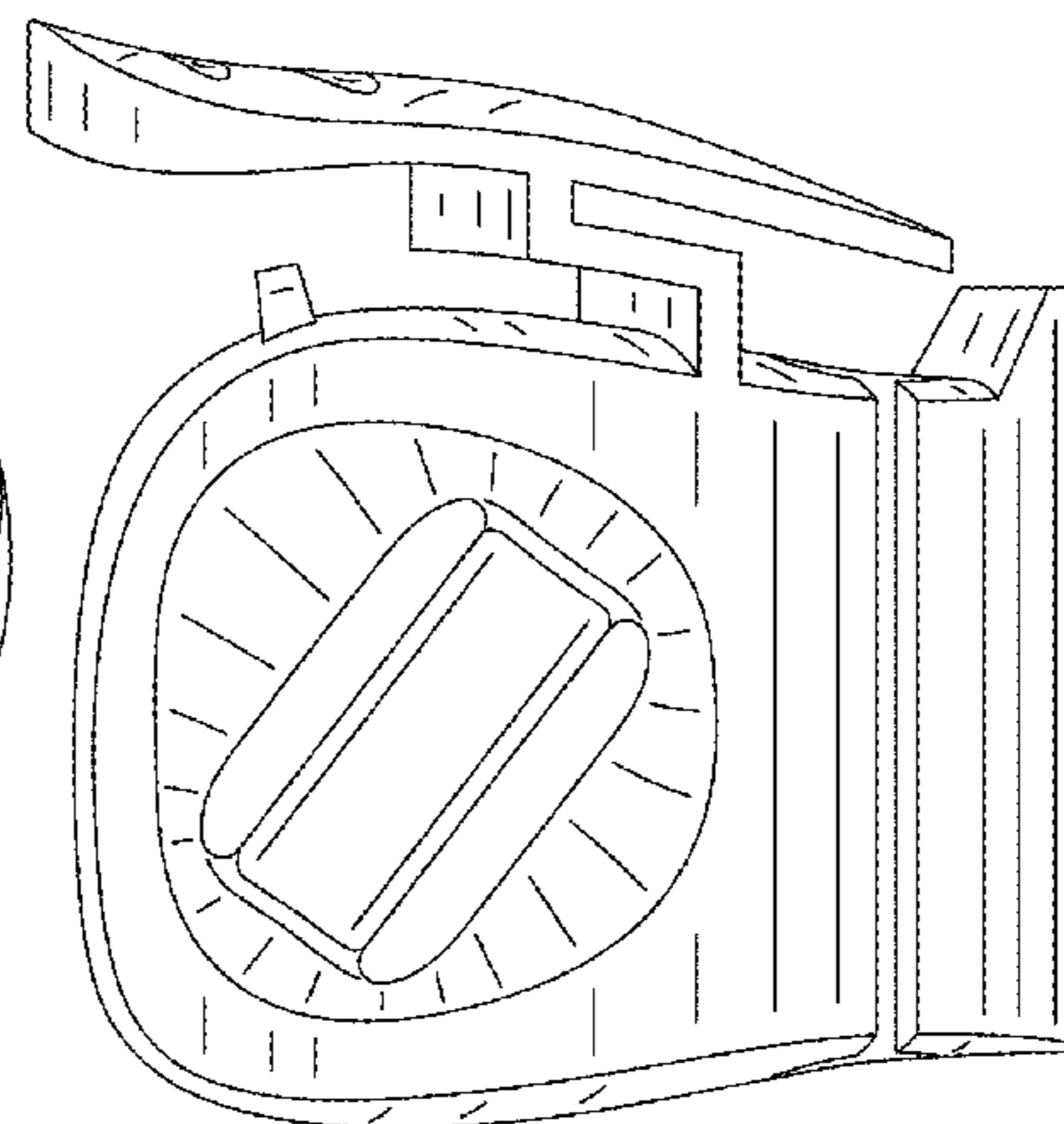
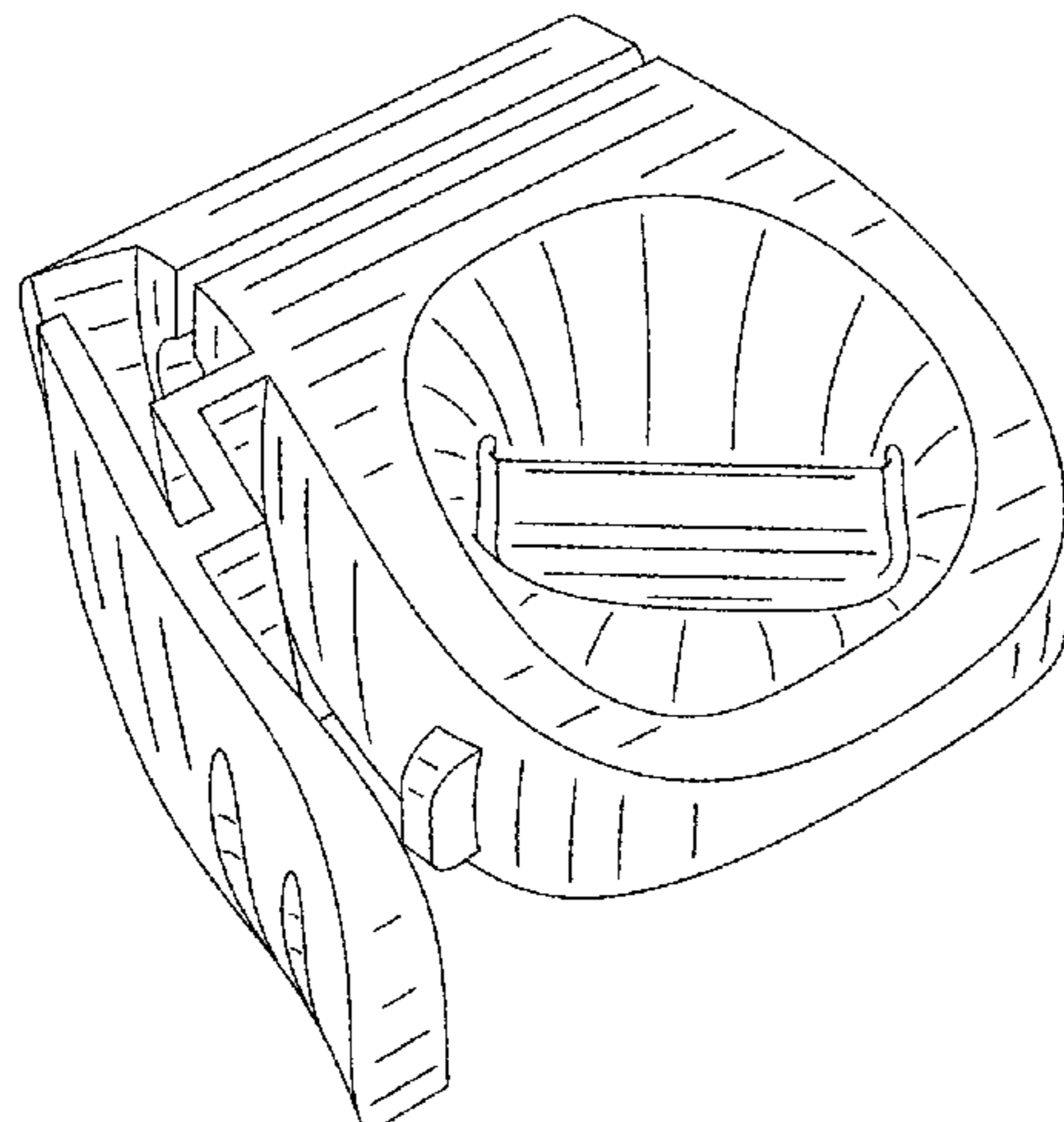
(57) **CLAIM**

The ornamental design for a buckle, as shown and described.

DESCRIPTION

FIG. 1 is a top perspective view showing our new design for a buckle,
FIG. 2 is a bottom perspective view thereof,
FIG. 3 is a top view thereof,
FIG. 4 is a bottom view thereof,
FIG. 5 is a front view thereof,
FIG. 6 is a rear view thereof,
FIG. 7 is a left side view thereof; and,
FIG. 8 is a right side view thereof.

1 Claim, 8 Drawing Sheets



(56)

References Cited

U.S. PATENT DOCUMENTS

D369,012 S *	4/1996	Cone, II	D2/639
D417,388 S *	12/1999	Kawahara	D8/383
D433,929 S *	11/2000	Petzl	D8/383
D451,369 S *	12/2001	Murata	D8/383
D481,301 S *	10/2003	Nezu	D8/383
D485,488 S *	1/2004	Tsukuda	D8/383
D507,736 S *	7/2005	Wolfberg	D11/216
D540,662 S *	4/2007	Pontaoe	D8/383
D543,445 S *	5/2007	Latal	D8/383
D549,087 S *	8/2007	Pontaoe	D8/383

* cited by examiner

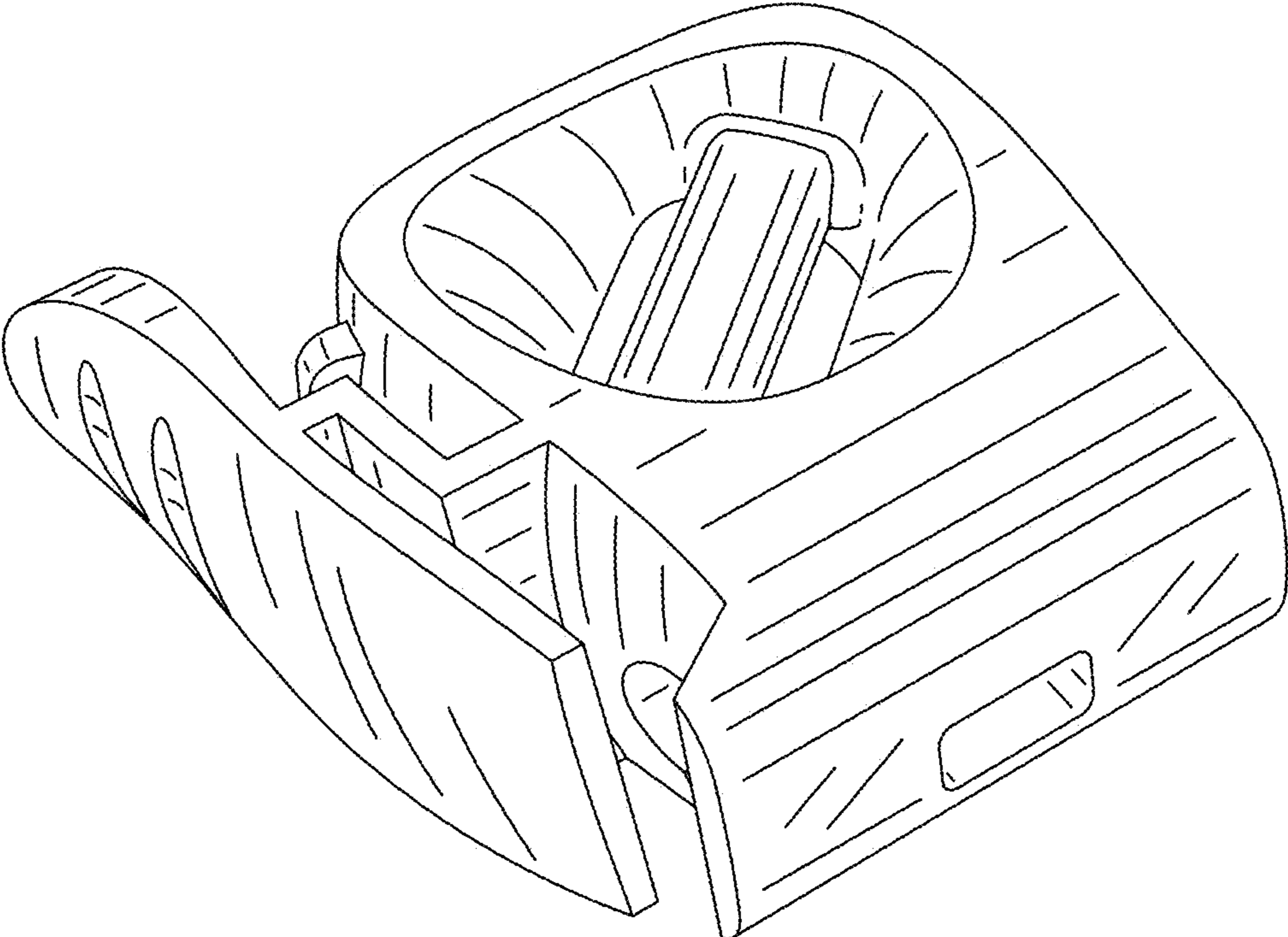


Fig. 1

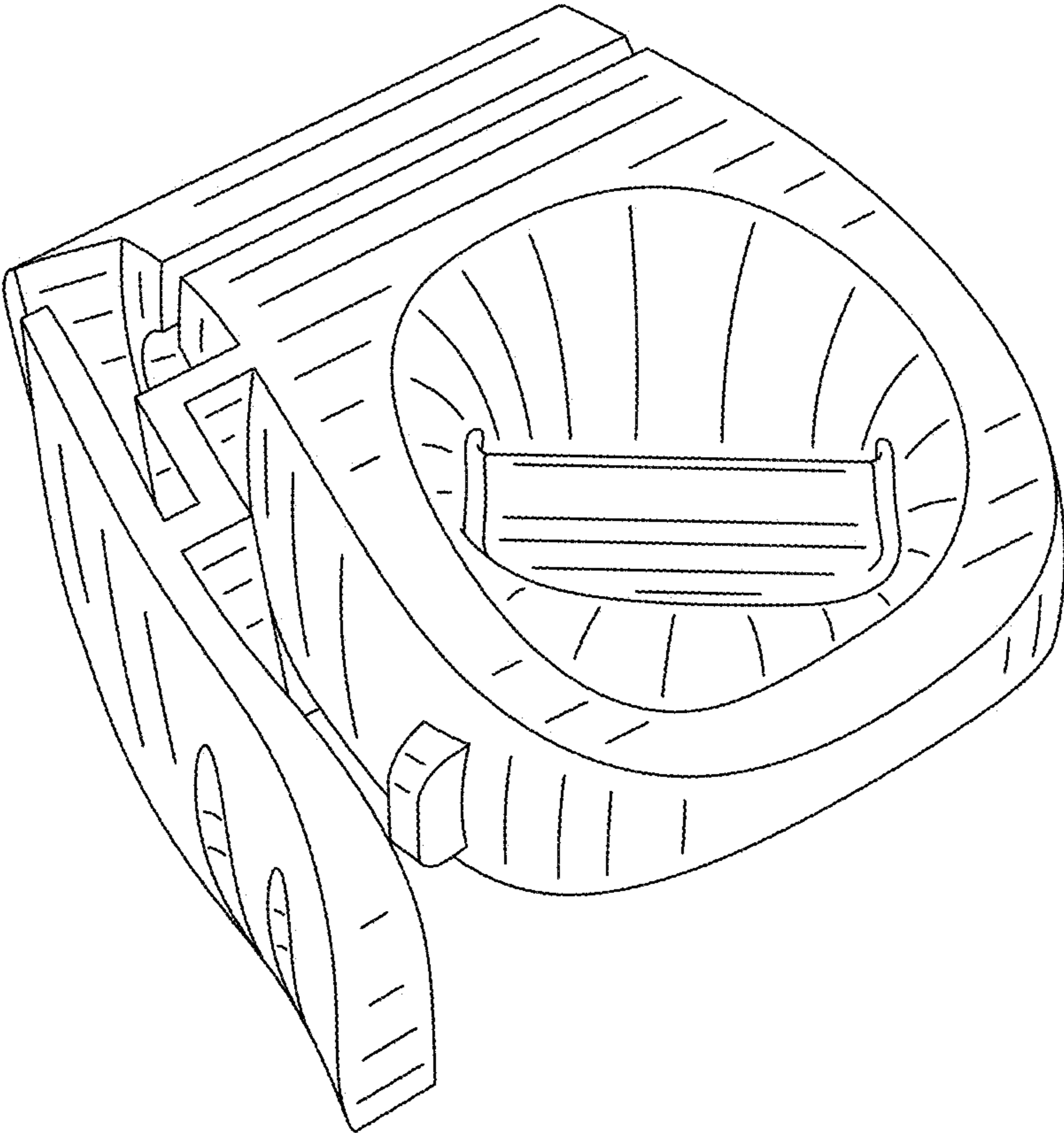


Fig. 2

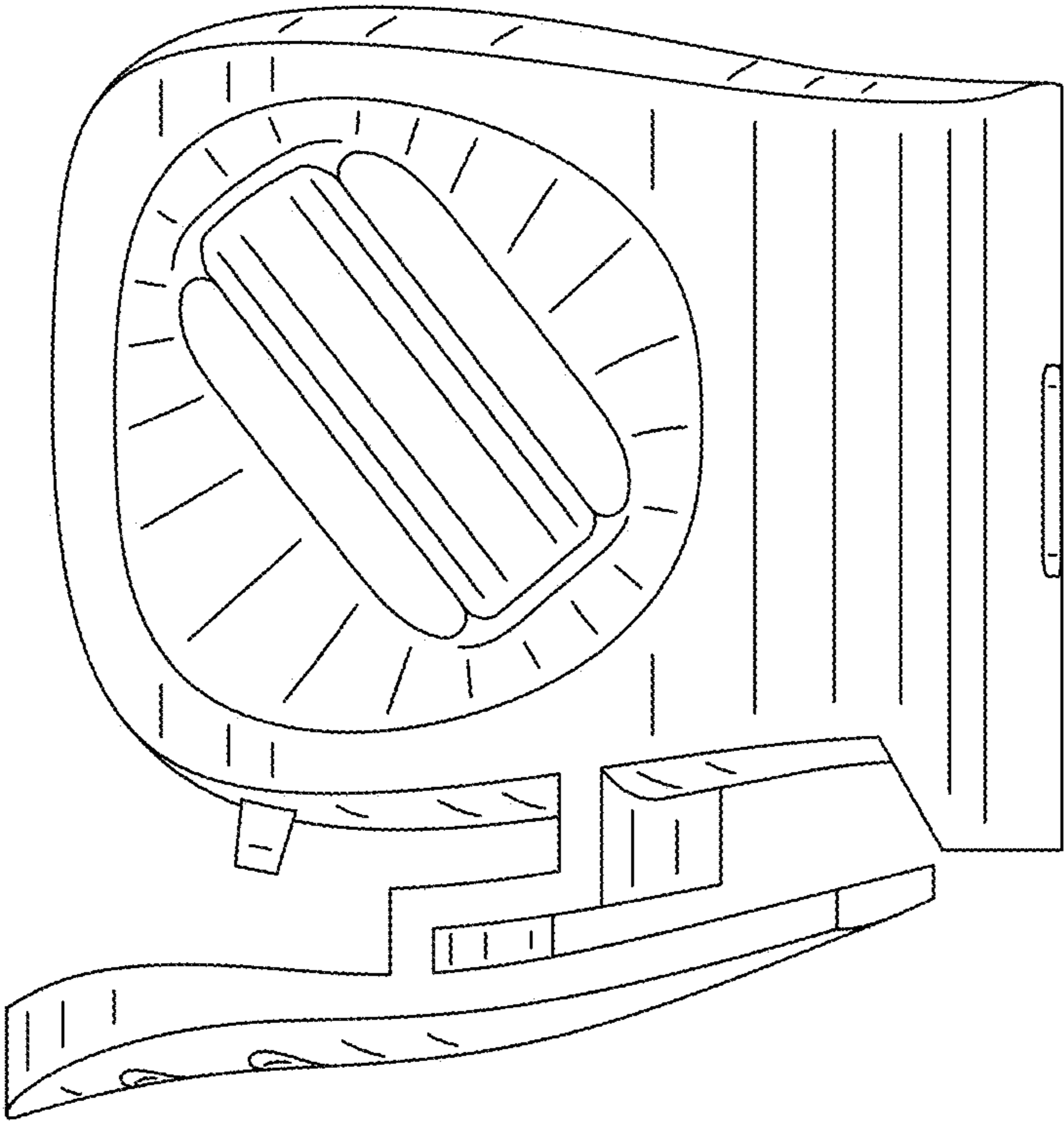


Fig. 3

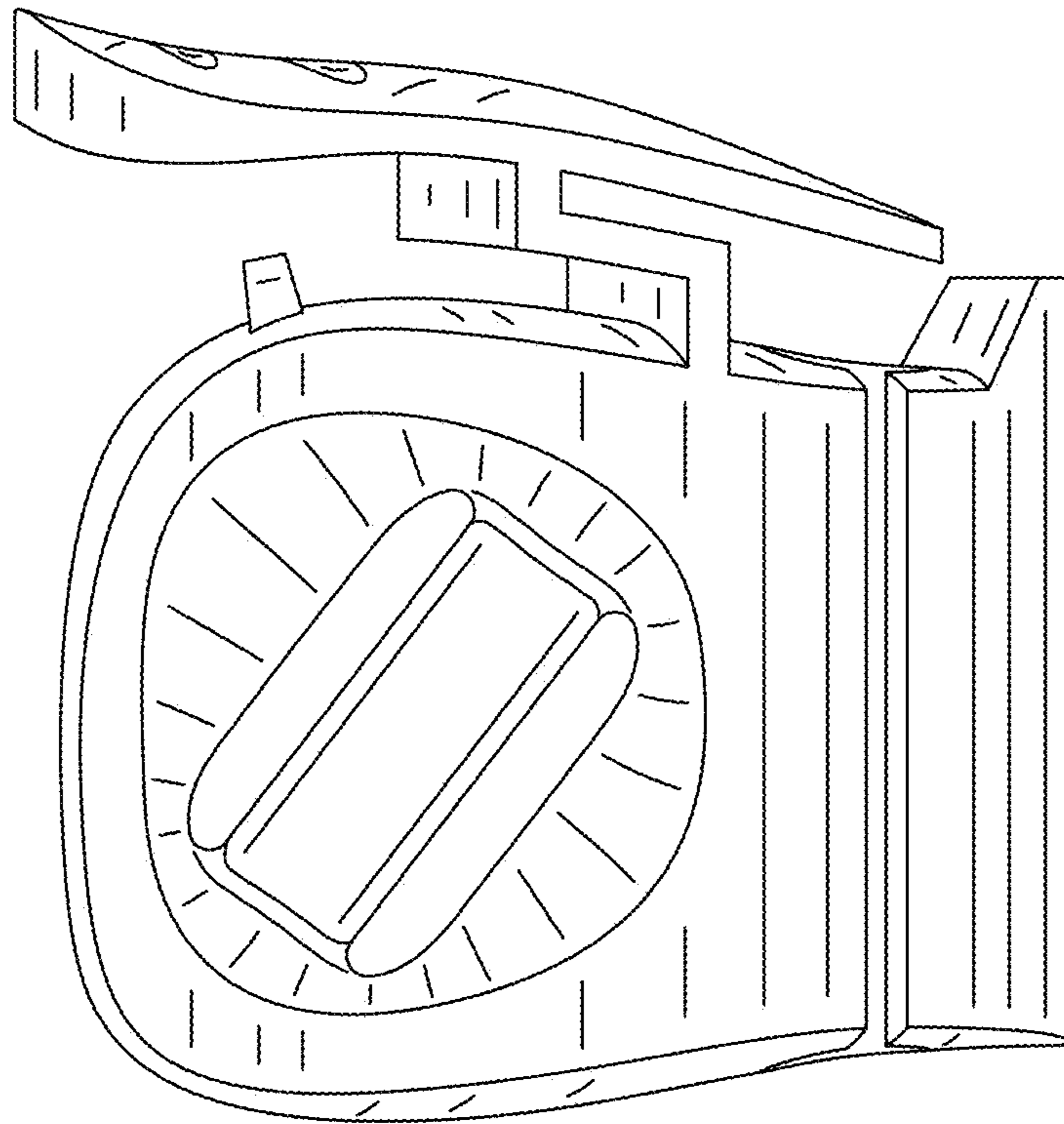


Fig. 4

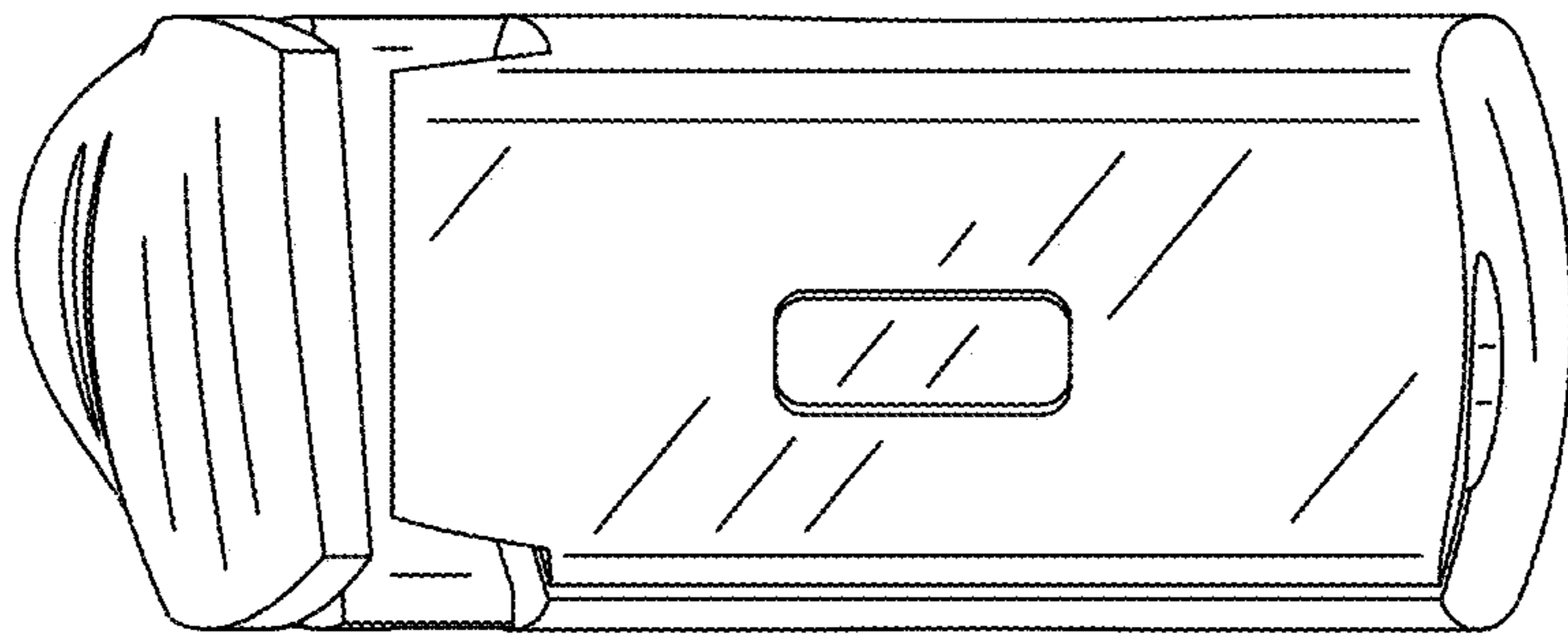


Fig. 5

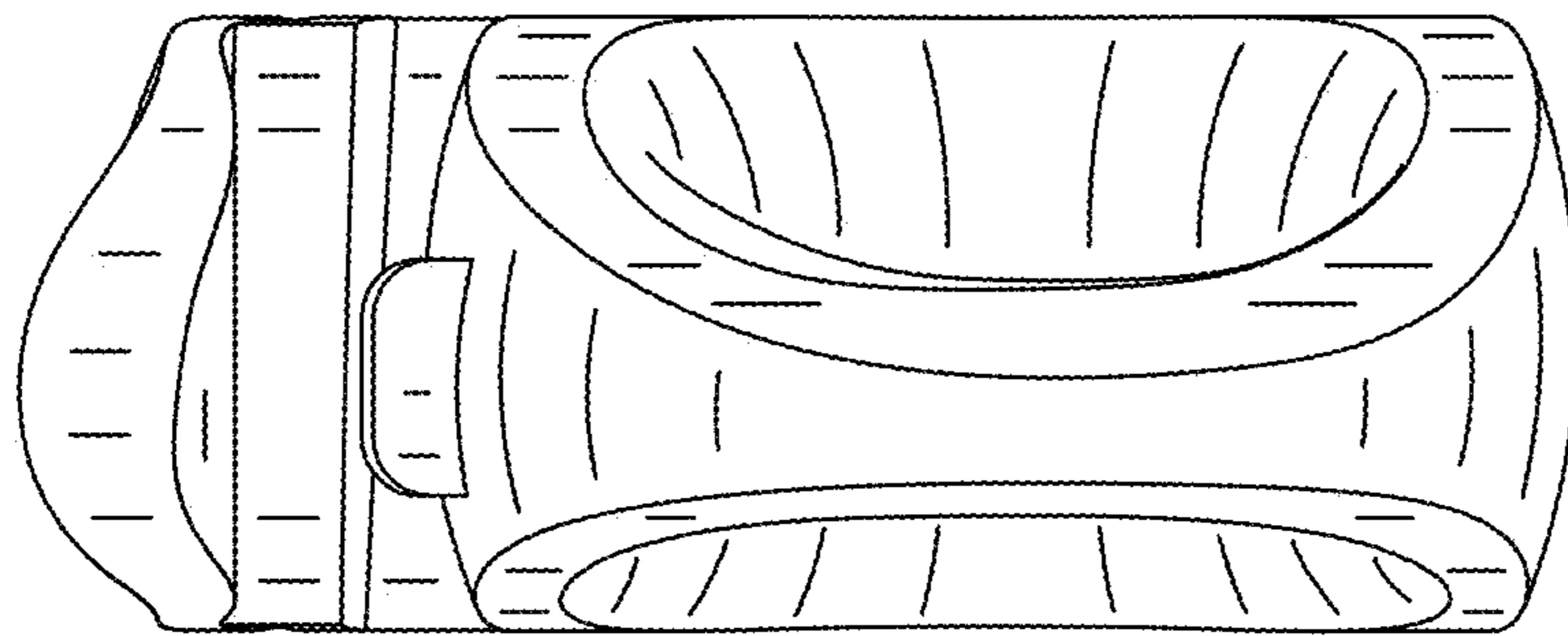


Fig. 6

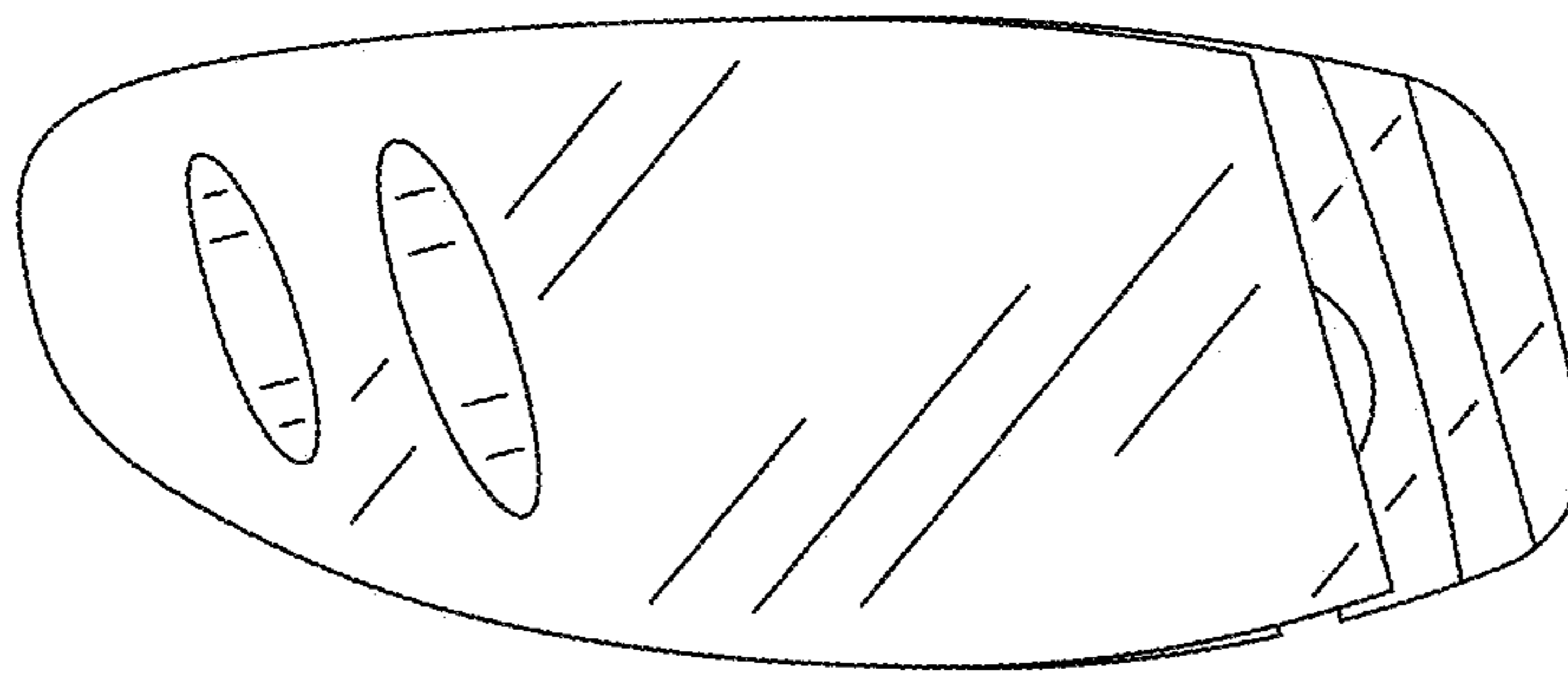


Fig. 7

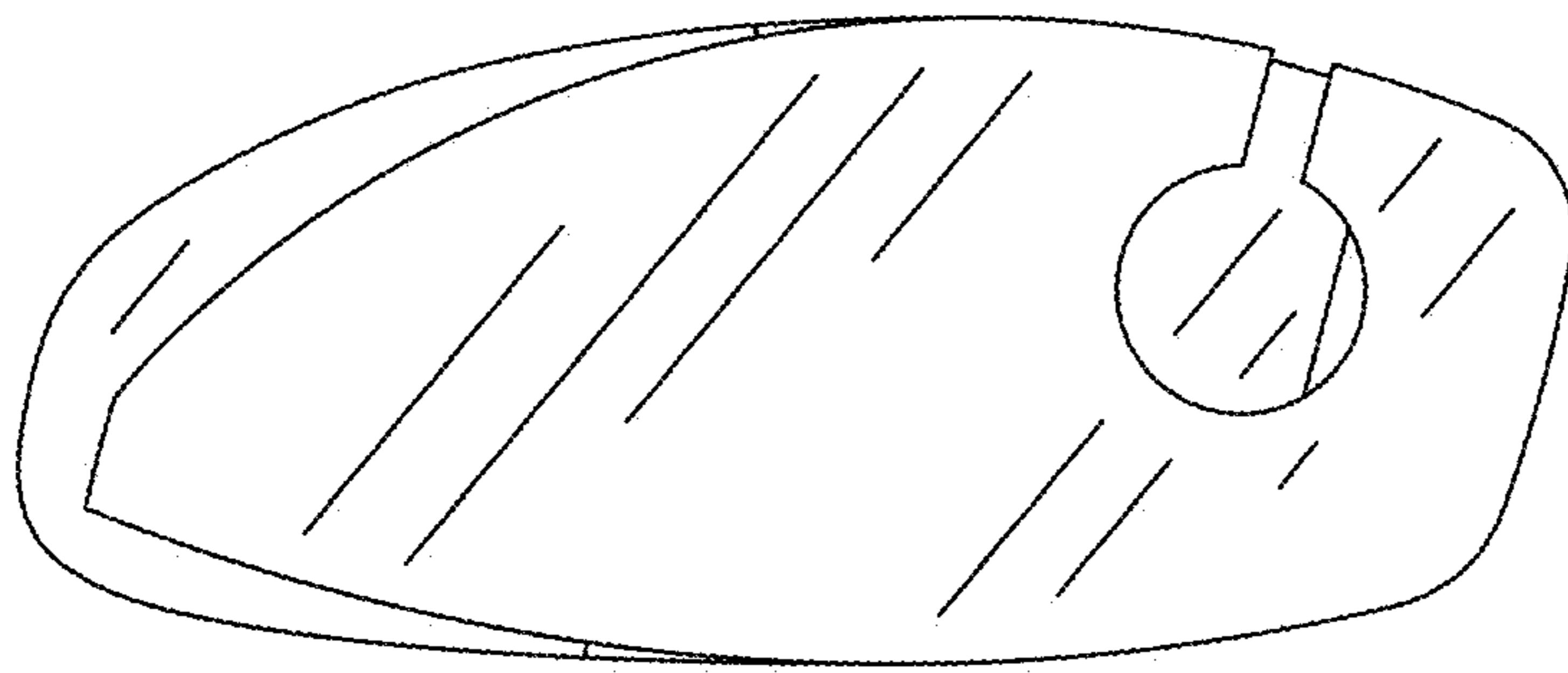


Fig. 8