



US00D886664S

(12) **United States Design Patent**
Kauk

(10) **Patent No.:** **US D886,664 S**

(45) **Date of Patent:** **** Jun. 9, 2020**

(54) **RIFLE FLAGPOLE**

(71) Applicant: **Eric Allen Kauk**, Dade City, FL (US)

(72) Inventor: **Eric Allen Kauk**, Dade City, FL (US)

(**) Term: **15 Years**

(21) Appl. No.: **29/647,293**

(22) Filed: **May 11, 2018**

(51) **LOC (12) Cl.** **11-05**

(52) **U.S. Cl.**
USPC **D11/172**

(58) **Field of Classification Search**
USPC D11/165, 166, 180, 181, 182, 183;
D8/373, 376, 380, 391; D20/16, 17, 28,
D20/41-43; D21/840; D22/103, 142;
D24/228
CPC G09F 17/00; G09F 2017/00; G09F
2017/0066; G09F 2017/0075; G09F
2017/005; G09F 2017/0008
See application file for complete search history.

(56) **References Cited**

U.S. PATENT DOCUMENTS

D44,034 S	5/1913	Searle	
D54,325 S	12/1919	Martin	
D188,193 S	6/1960	Stoner	
D199,845 S	* 12/1964	Sullivan	D22/103
D251,979 S	* 5/1979	Hance	D22/103
D340,092 S	10/1993	Carter	
D359,529 S	* 6/1995	Nguyen	D21/572
D416,305 S	11/1999	Ruger et al.	
D418,896 S	* 1/2000	Shipley	D22/100
D529,839 S	10/2006	Howald	
D611,111 S	* 3/2010	Hajjar	D22/103
D641,824 S	7/2011	Gridelet	
D653,300 S	* 1/2012	Emde	D22/103
D667,072 S	9/2012	Kriegleder	
D670,783 S	11/2012	Barrett	
D679,772 S	4/2013	Mossberg, Jr.	

D680,611 S	4/2013	Emde et al.	
D684,325 S	6/2013	Newman	
D706,673 S	6/2014	Lingo et al.	
D719,234 S	12/2014	Hochstrate	
D729,117 S	5/2015	Bishop	
9,404,694 B2	8/2016	Hochstrate et al.	
D778,384 S	2/2017	Zlobin et al.	
D779,723 S	2/2017	Marrakchi	
D795,981 S	8/2017	Martelli et al.	
D815,710 S	* 4/2018	Packard	D22/103

(Continued)

OTHER PUBLICATIONS

A Pro-Gun Group Stole Bloomberg's Gun Safety Group's Name on Facebook, posted Apr. 16, 2014 found on Nov. 26, 2019 at <https://www.buzzfeednews.com/article/gideonresnick/a-pro-gun-group-stole-bloombergs-gun-safety-groups-name-on-f>.*

(Continued)

Primary Examiner — Karen S Acker

(74) Attorney, Agent, or Firm — Jonathan Brown

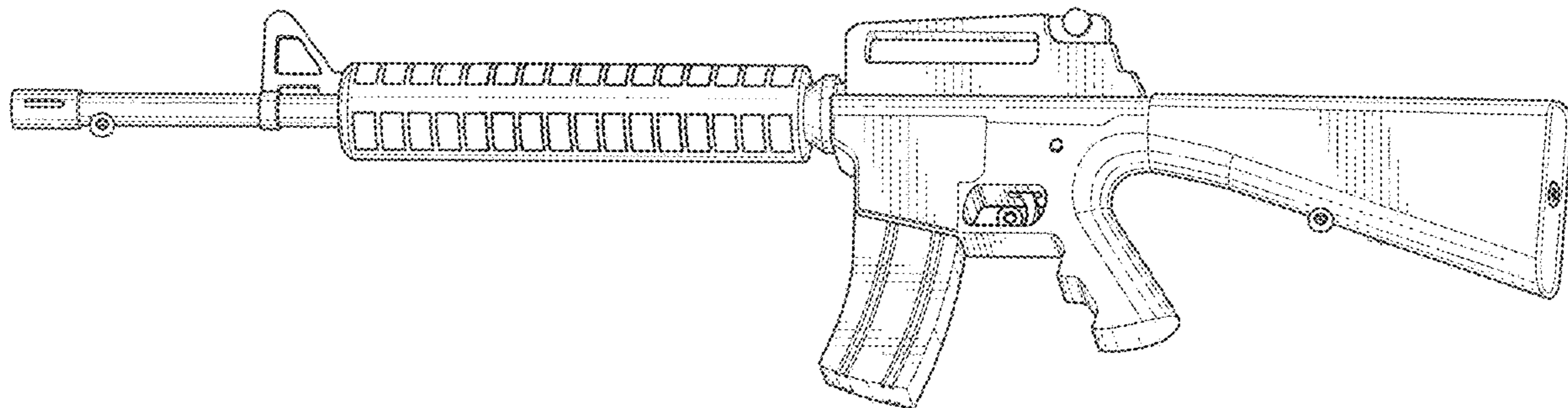
(57) **CLAIM**

The ornamental design for a rifle flagpole, as shown and described.

DESCRIPTION

FIG. 1 is a side perspective view of a rifle flagpole showing the new design;
FIG. 2 is a left side view (in relation to the front elevational view) thereof;
FIG. 3 is a right side view (in relation to the front elevational view) thereof;
FIG. 4 is a top plan view thereof; and
FIG. 5 is a bottom plan view thereof.
FIG. 6 is a front elevational view thereof; and,
FIG. 7 is a rear perspective view thereof.
The broken lines in the drawings illustrate a portion of the rifle flagpole that forms no part of the claimed design.

1 Claim, 4 Drawing Sheets



(56)

References Cited

U.S. PATENT DOCUMENTS

D819,765 S * 6/2018 Kafka F41H 3/02
D22/103
2006/0112606 A1* 6/2006 Lauer F41H 3/02
42/96
2014/0251201 A1 9/2014 Lingo et al.

OTHER PUBLICATIONS

(Rifle Flagpole at American Legion Post 145, dated Sep. 19, 2011,
found on Nov. 26, 2019 at [http://www.dalejtravis.com/interest/misc/
htm/misc008.htm](http://www.dalejtravis.com/interest/misc/htm/misc008.htm).*

* cited by examiner

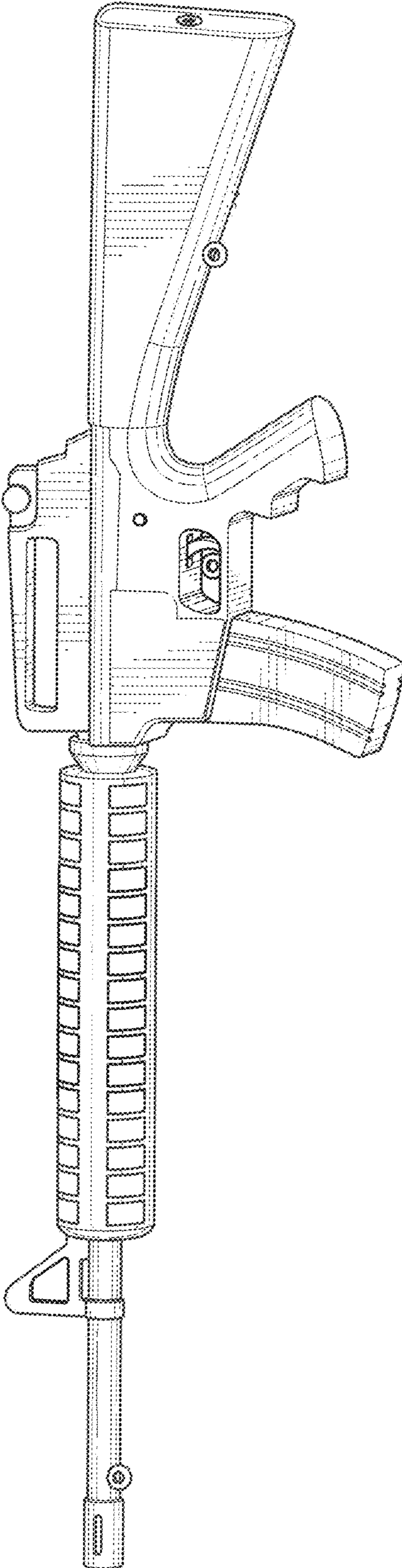


FIG. 1

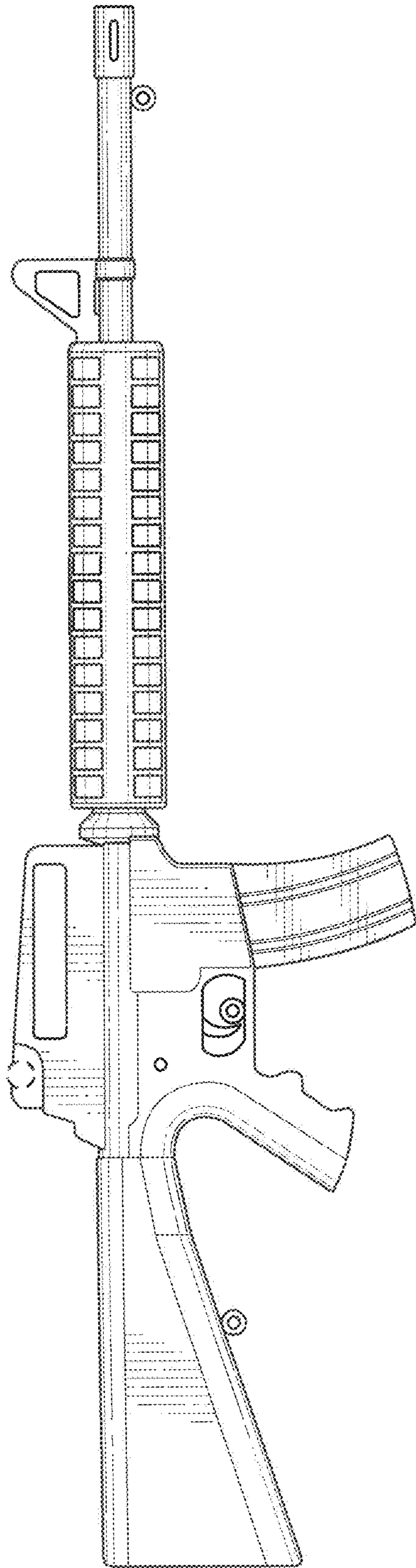


FIG. 2

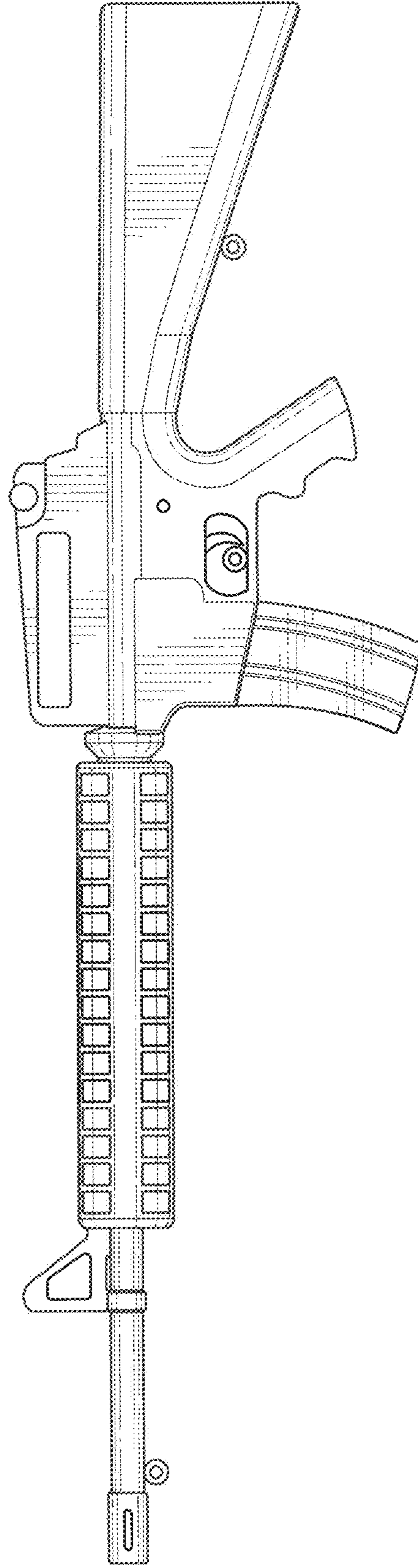


FIG. 3

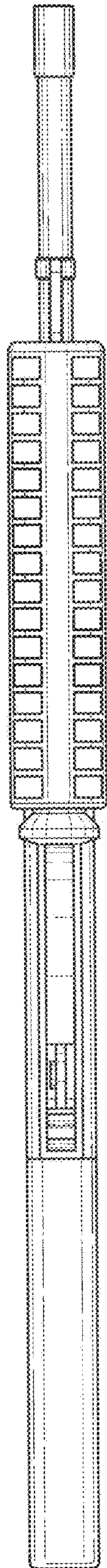


FIG. 4

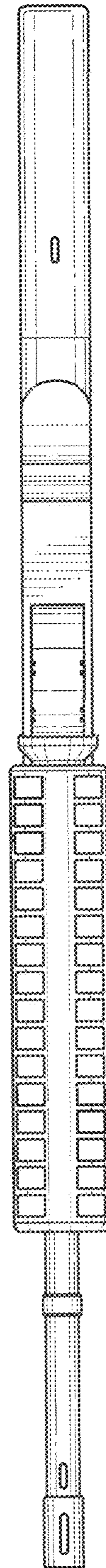


FIG. 5

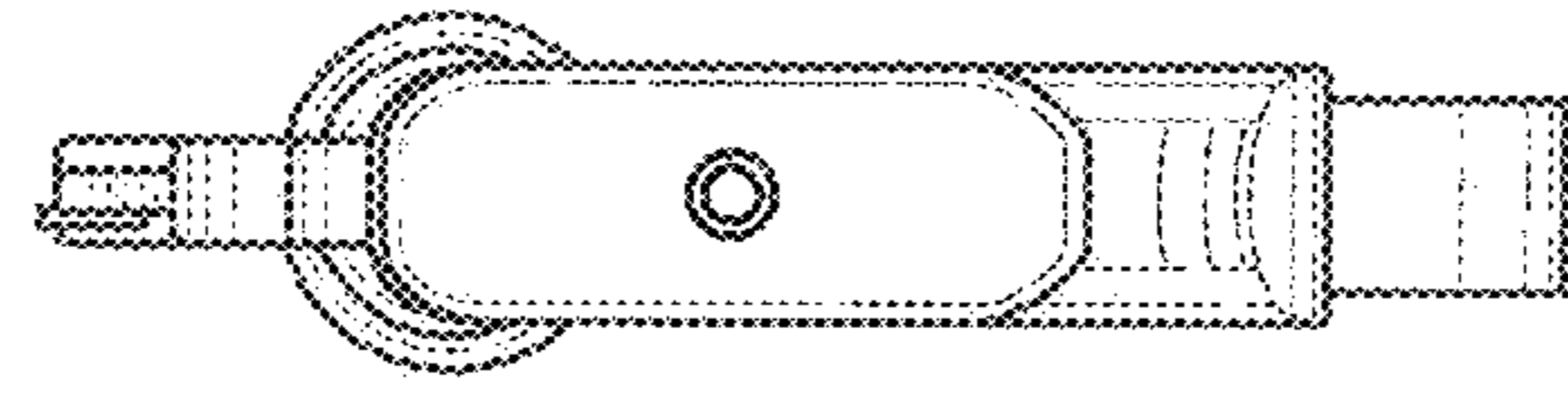


FIG. 7

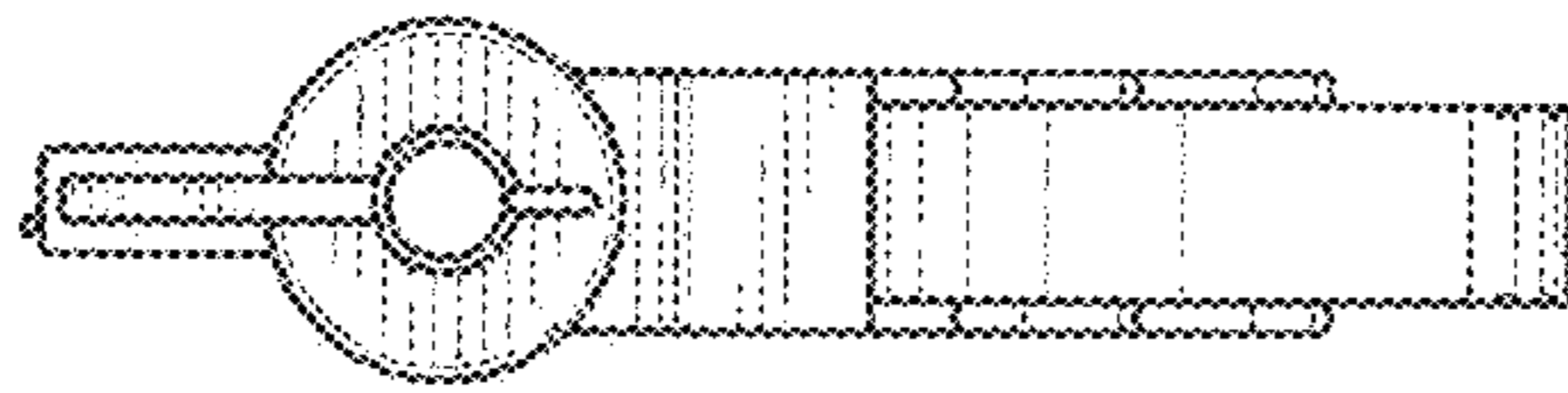


FIG. 6