



US00D886661S

(12) **United States Design Patent**
Cipolla

(10) **Patent No.:** **US D886,661 S**
(45) **Date of Patent:** **** Jun. 9, 2020**

(54) **WEARABLE CHAIN**

(71) Applicant: **Steven A. Cipolla**, Warwick, RI (US)

(72) Inventor: **Steven A. Cipolla**, Warwick, RI (US)

(73) Assignee: **National Chain Company**, Warwick, RI (US)

(**) Term: **15 Years**

(21) Appl. No.: **29/658,056**

(22) Filed: **Jul. 27, 2018**

(51) **LOC (12) Cl.** **11-01**

(52) **U.S. Cl.**
USPC **D11/93**

(58) **Field of Classification Search**
USPC D11/1-25, 32, 93, 94

(Continued)

(56) **References Cited**

U.S. PATENT DOCUMENTS

2,291,089 A * 7/1942 Okun A44B 15/00
24/3.13

3,382,589 A * 5/1968 Dowling A44C 5/027
434/246

(Continued)

Primary Examiner — Zenia I Bennett

(74) *Attorney, Agent, or Firm* — Salter & Michaelson

(57) **CLAIM**

The ornamental design for a wearable chain, as shown and described.

DESCRIPTION

FIG. 1 is a top plan view of a wearable chain and including an enlarged partial top view showing two links;

FIG. 2 is a top plan view thereof;

FIG. 3 is a bottom plan view thereof;

FIG. 4 is a front elevational view thereof;

FIG. 5 is a rear elevational view thereof;

FIG. 6 is a left side elevational view thereof;

FIG. 7 is a right side elevational view thereof;

FIG. 8 is a top perspective view thereof;

FIG. 9 is a cross-sectional view taken along line 9-9 of FIG. 2;

FIG. 10 is cross-sectional view taken along line 10-10 of FIG. 4;

FIG. 11 is a top plan view of a second embodiment of a wearable chain and including an enlarged partial top view of a second embodiment showing three links;

FIG. 12 is a top plan view of a second embodiment thereof;

FIG. 13 is a bottom plan view of a second embodiment thereof;

FIG. 14 is a front elevational view of a second embodiment thereof;

FIG. 15 is a rear elevational view of a second embodiment thereof;

FIG. 16 is a left side elevational view of a second embodiment thereof;

FIG. 17 is a right side elevational view of a second embodiment thereof;

FIG. 18 is a top perspective view of a second embodiment thereof;

FIG. 19 is cross-sectional view of the second embodiment taken along line 19-19 of FIG. 12;

FIG. 20 is cross-sectional view of the second embodiment taken along line 20-20 of FIG. 14;

FIG. 21 is a top plan view of a third embodiment of a wearable chain and including an enlarged partial top view of a third embodiment showing four links;

FIG. 22 is a top plan view of a third embodiment thereof;

FIG. 23 is a bottom plan view of a third embodiment thereof;

FIG. 24 is a front elevational view of a third embodiment thereof;

FIG. 25 is a rear elevational view of a third embodiment thereof;

FIG. 26 is a left side elevational view of a third embodiment thereof;

FIG. 27 is a right side elevational view of a third embodiment thereof;

FIG. 28 is a top perspective view of a third embodiment thereof;

(Continued)

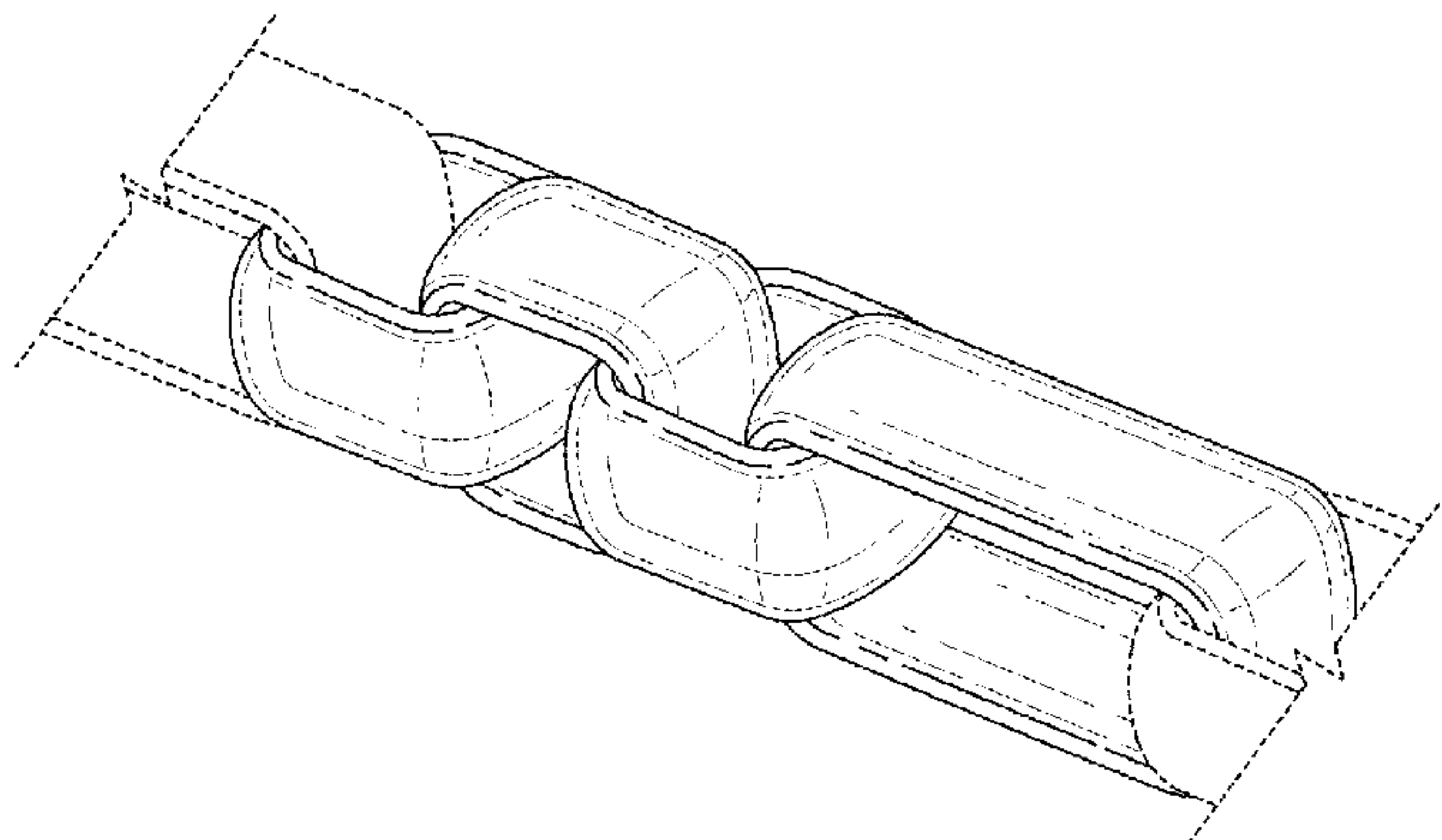
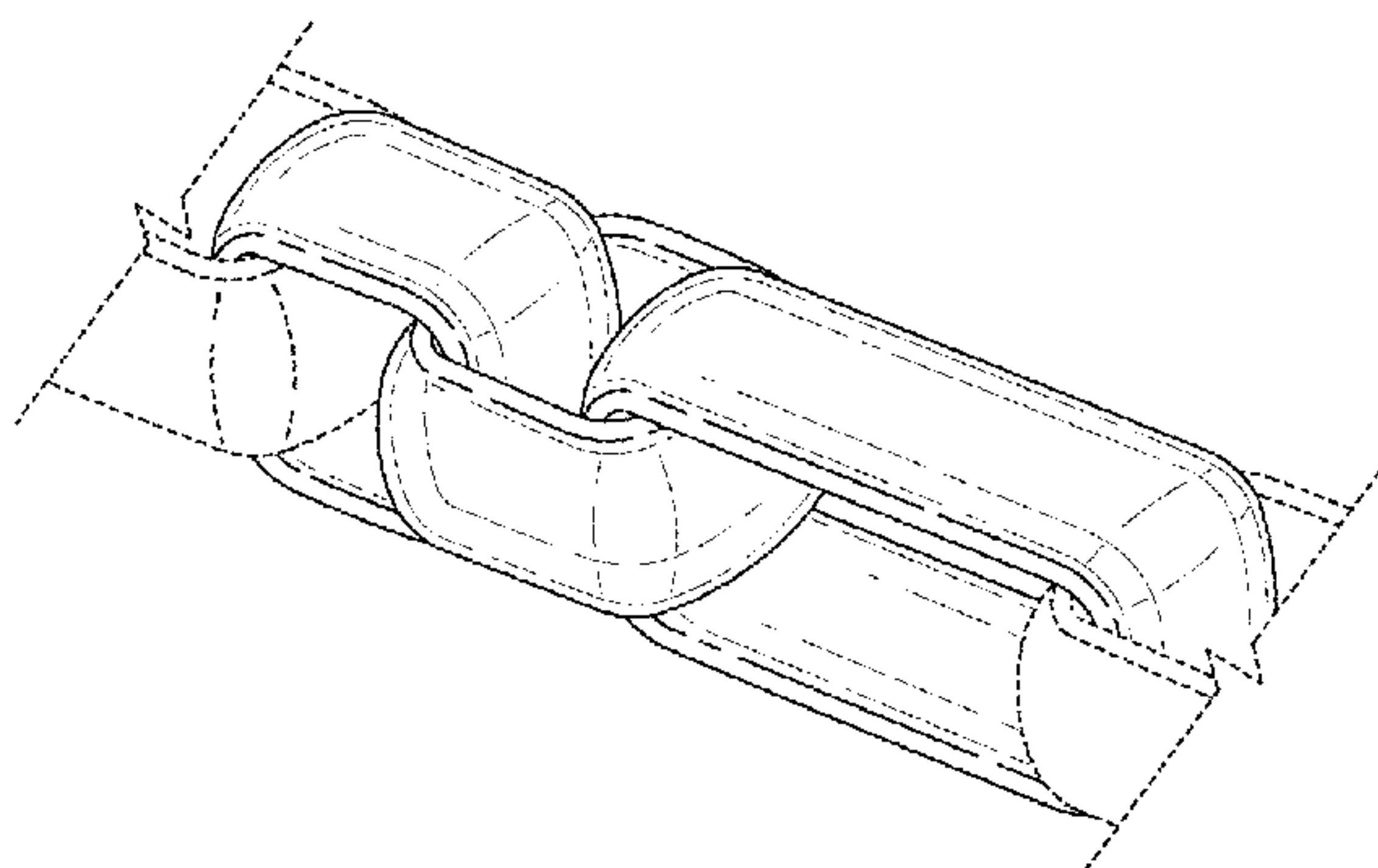


FIG. 29 is cross-sectional view of the third embodiment taken along line 29-29 of FIG. 22;
 FIG. 30 is cross-sectional view of the third embodiment taken along line 30-30 of FIG. 24;
 FIG. 31 is a top plan view of a fourth embodiment of a wearable chain and including an enlarged partial top view of a fourth embodiment showing six links;
 FIG. 32 is a top plan view of a fourth embodiment thereof;
 FIG. 33 is a bottom plan view of a fourth embodiment thereof;
 FIG. 34 is a front elevational view of a fourth embodiment thereof;
 FIG. 35 is a rear elevational view of a fourth embodiment thereof;
 FIG. 36 is a left side elevational view of a fourth embodiment thereof;
 FIG. 37 is a right side elevational view of a fourth embodiment thereof;
 FIG. 38 is a top perspective view of a fourth embodiment thereof;
 FIG. 39 is cross-sectional view of the fourth embodiment taken along line 39-39 of FIG. 32;
 FIG. 40 is cross-sectional view of the fourth embodiment taken along line 40-40 of FIG. 34;
 FIG. 41 is a top plan view of a fifth embodiment of a wearable chain and including an enlarged partial top view of a fifth embodiment showing eleven links;
 FIG. 42 is a top plan view of a fifth embodiment thereof;
 FIG. 43 is a bottom plan view of a fifth embodiment thereof;
 FIG. 44 is a front elevational view of a fifth embodiment thereof;
 FIG. 45 is a rear elevational view of a fifth embodiment thereof;

FIG. 46 is a left side elevational view of a fifth embodiment thereof;
 FIG. 47 is a right side elevational view of a fifth embodiment thereof;
 FIG. 48 is a top perspective view of a fifth embodiment thereof;
 FIG. 49 is cross-sectional view of the fifth embodiment taken along line 49-49 of FIG. 42; and,
 FIG. 50 is cross-sectional view of the fifth embodiment taken along line 50-50 of FIG. 44.
 The broken lines shown in the drawing views represent portions of the wearable chain which for no part of the claimed design.

1 Claim, 20 Drawing Sheets

(58) **Field of Classification Search**

CPC .. A44C 5/00; A44C 5/02; A44C 5/027; A44C 11/00; A44C 11/002; F16G 13/14; F16G 13/16

See application file for complete search history.

(56) **References Cited**

U.S. PATENT DOCUMENTS

D261,119	S *	10/1981	Barr	D11/12
D340,662	S	10/1993	Cipolla	
D340,663	S	10/1993	Cipolla	
D703,577	S	4/2014	Cipolla	
8,931,251	B1	1/2015	Cipolla	
D778,767	S *	2/2017	Nicolas	D11/93
9,863,499	B2 *	1/2018	Choisnet	B63B 21/20

* cited by examiner

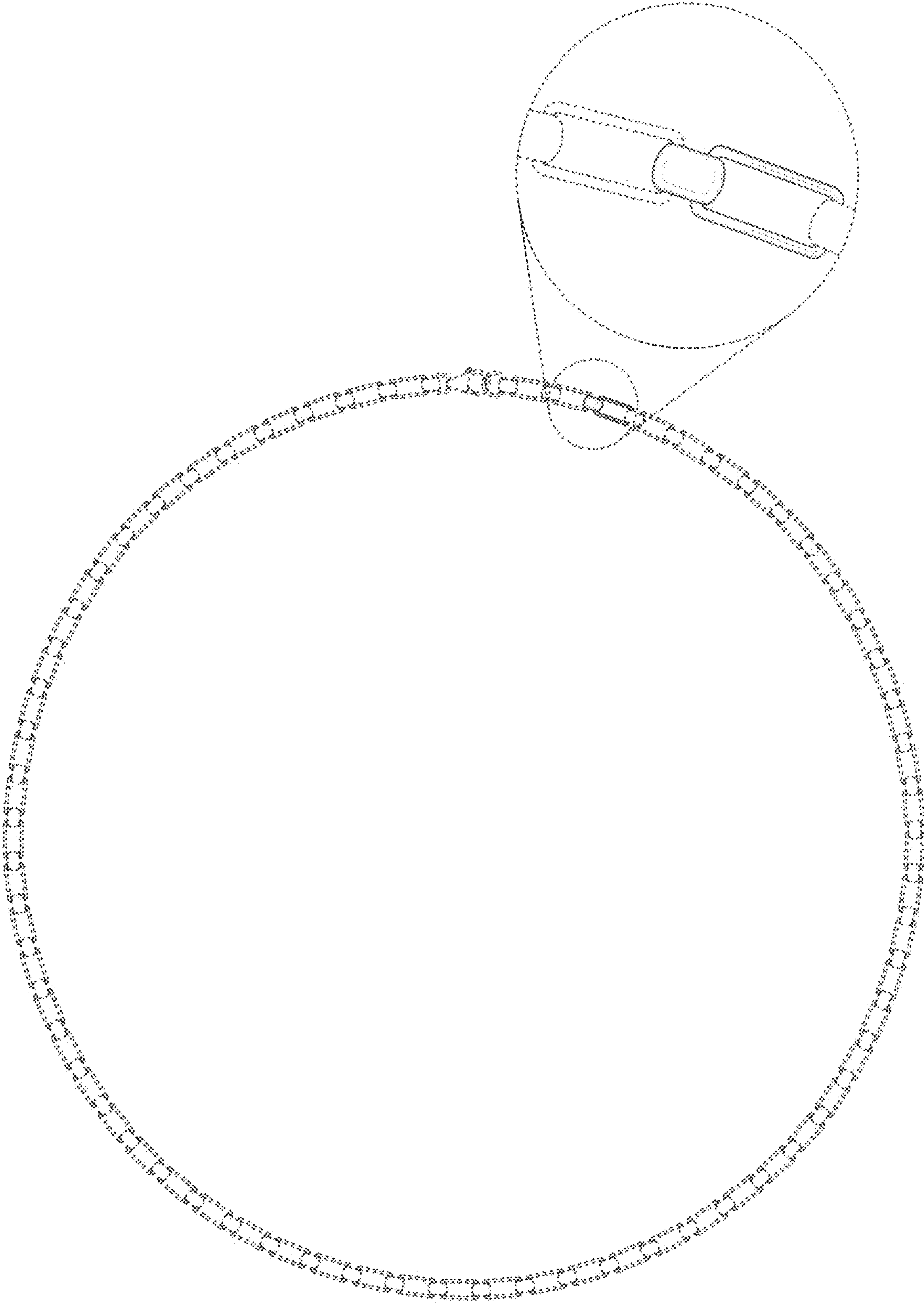


FIG. 1

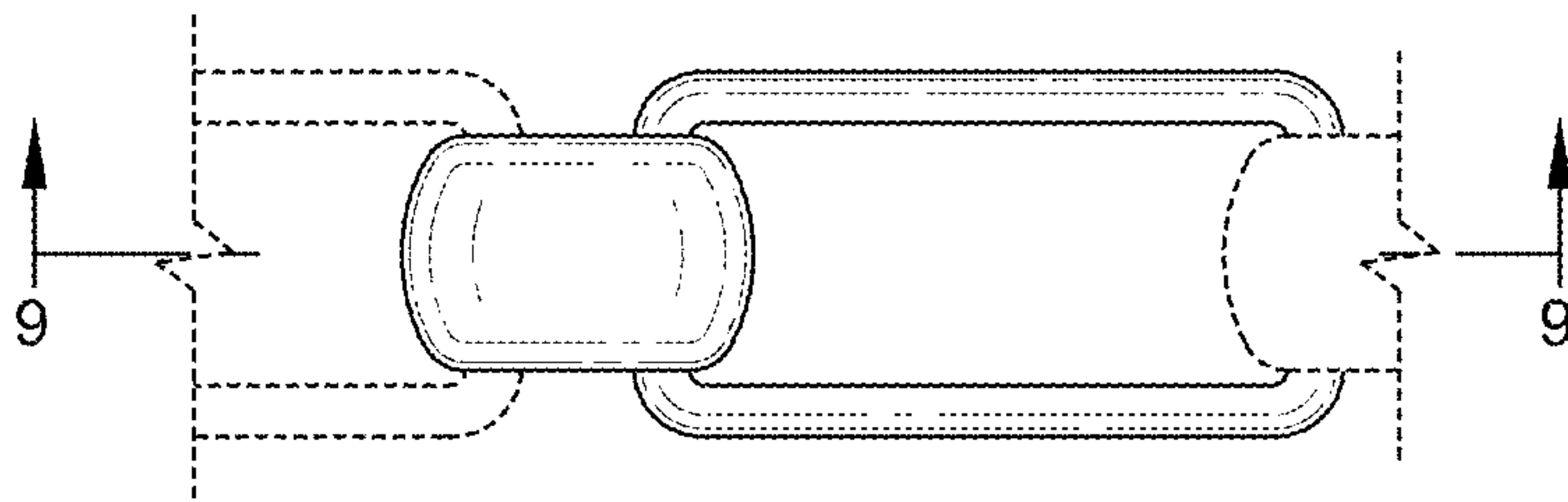


FIG. 2

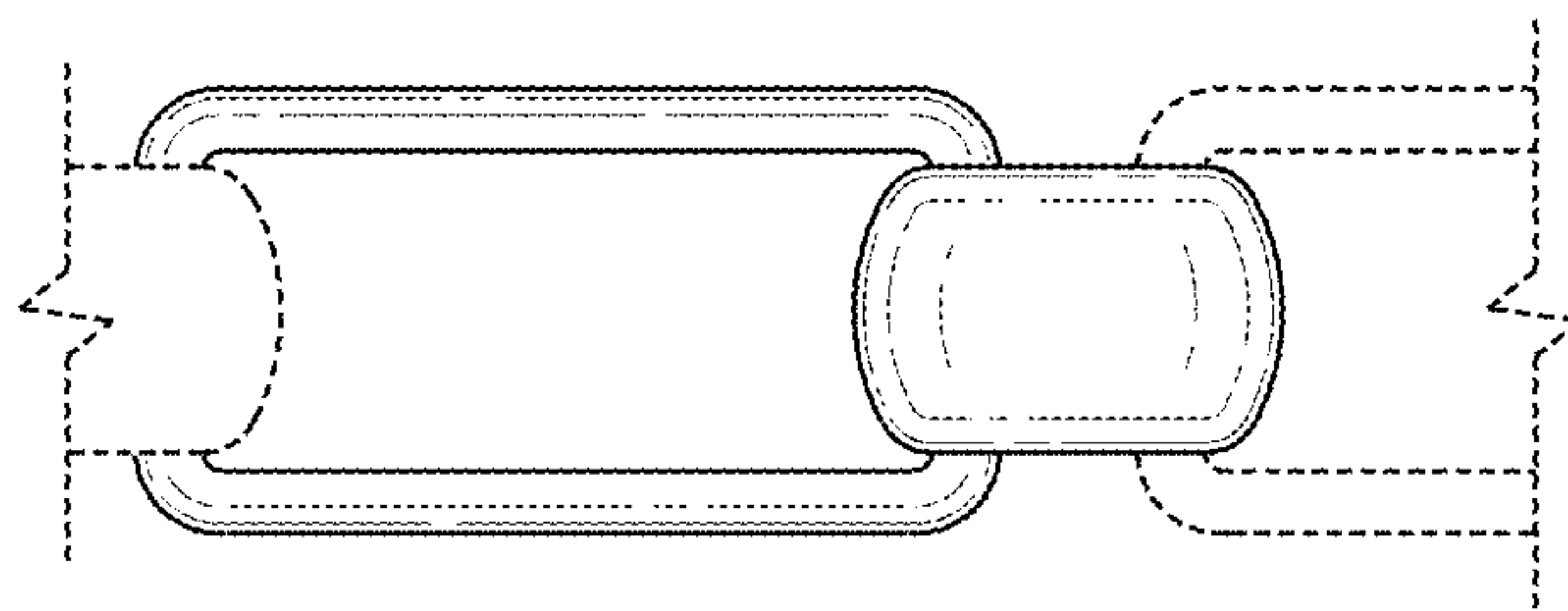


FIG. 3

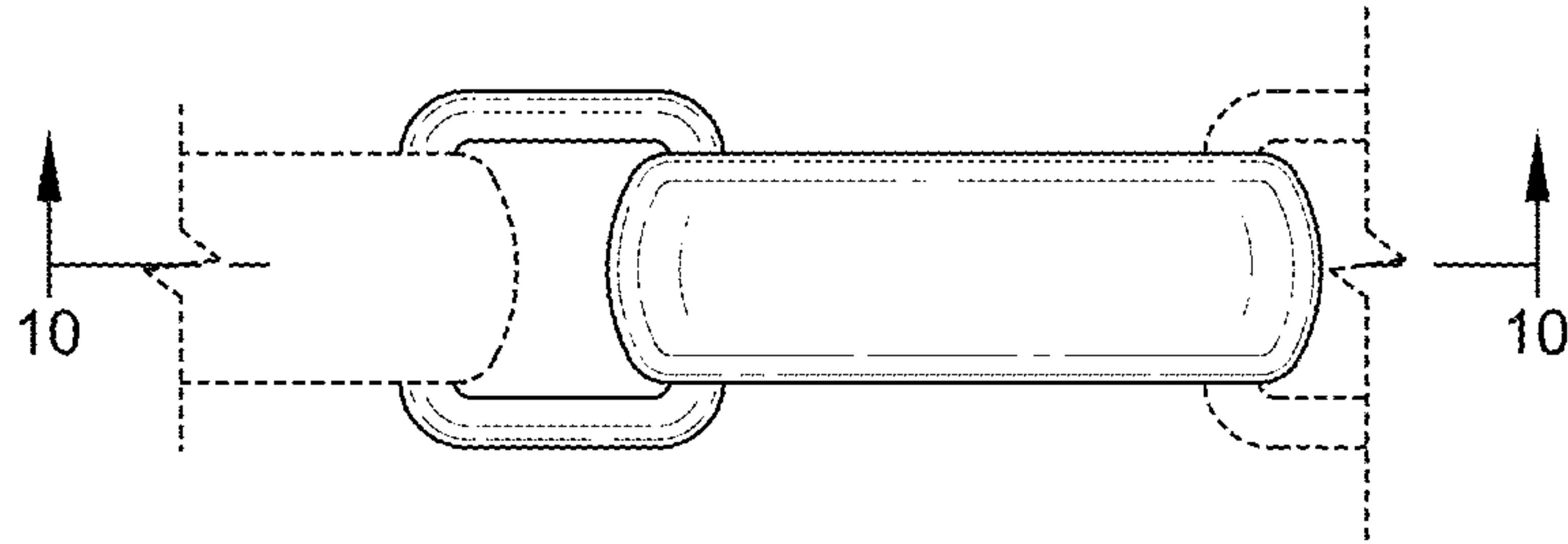


FIG. 4

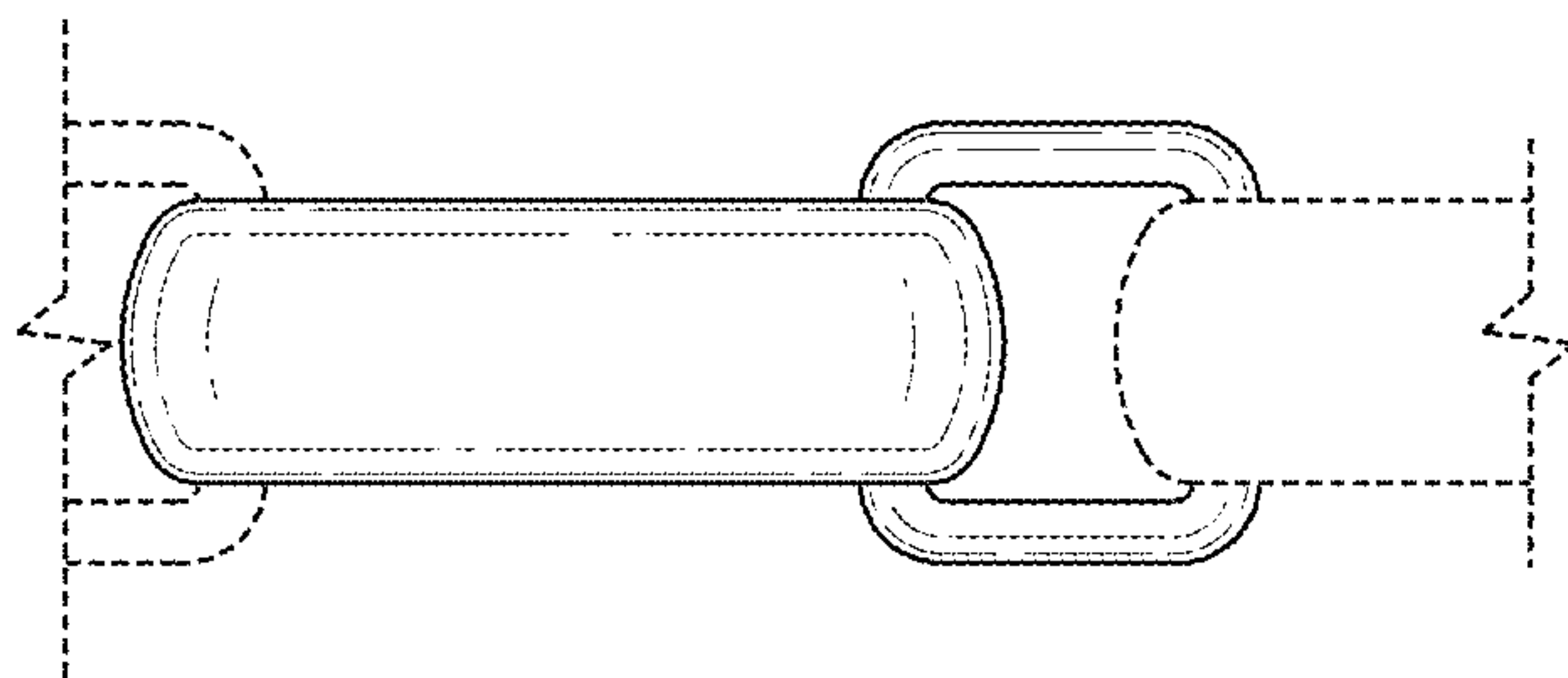


FIG. 5

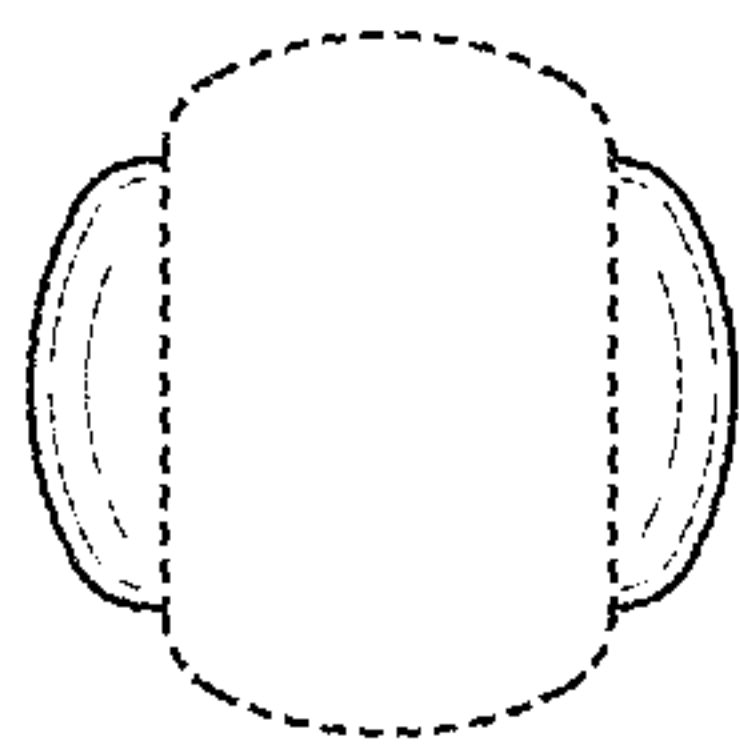


FIG. 6

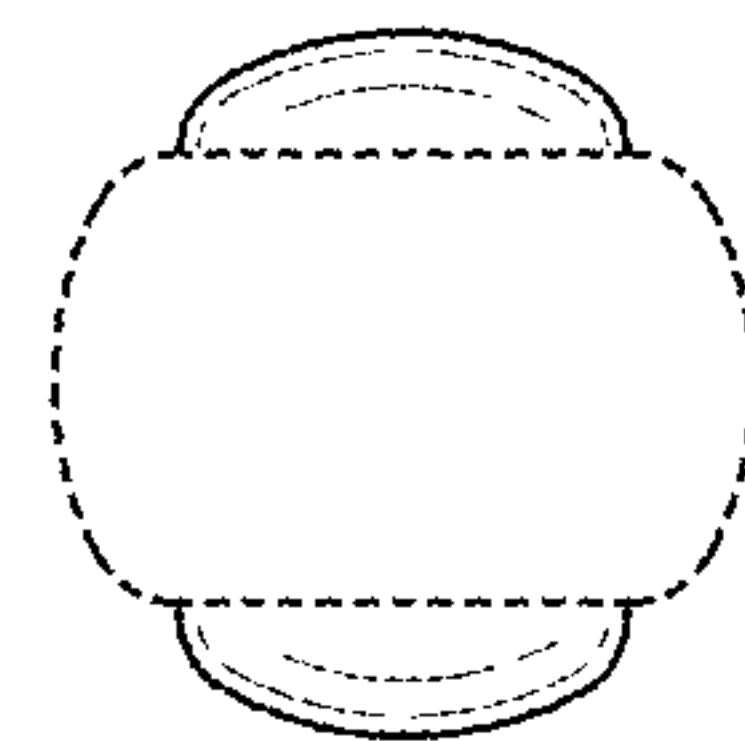


FIG. 7

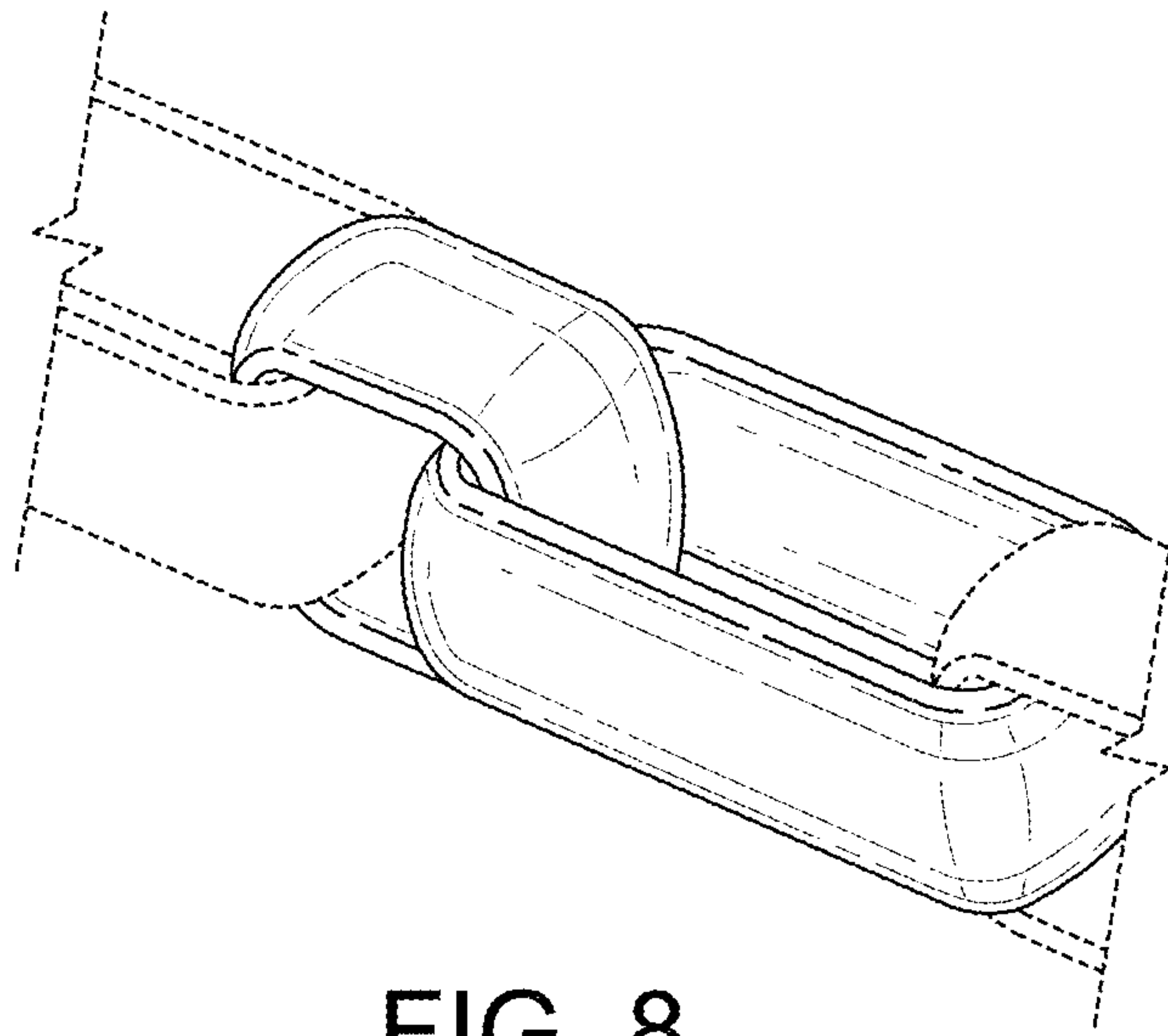


FIG. 8

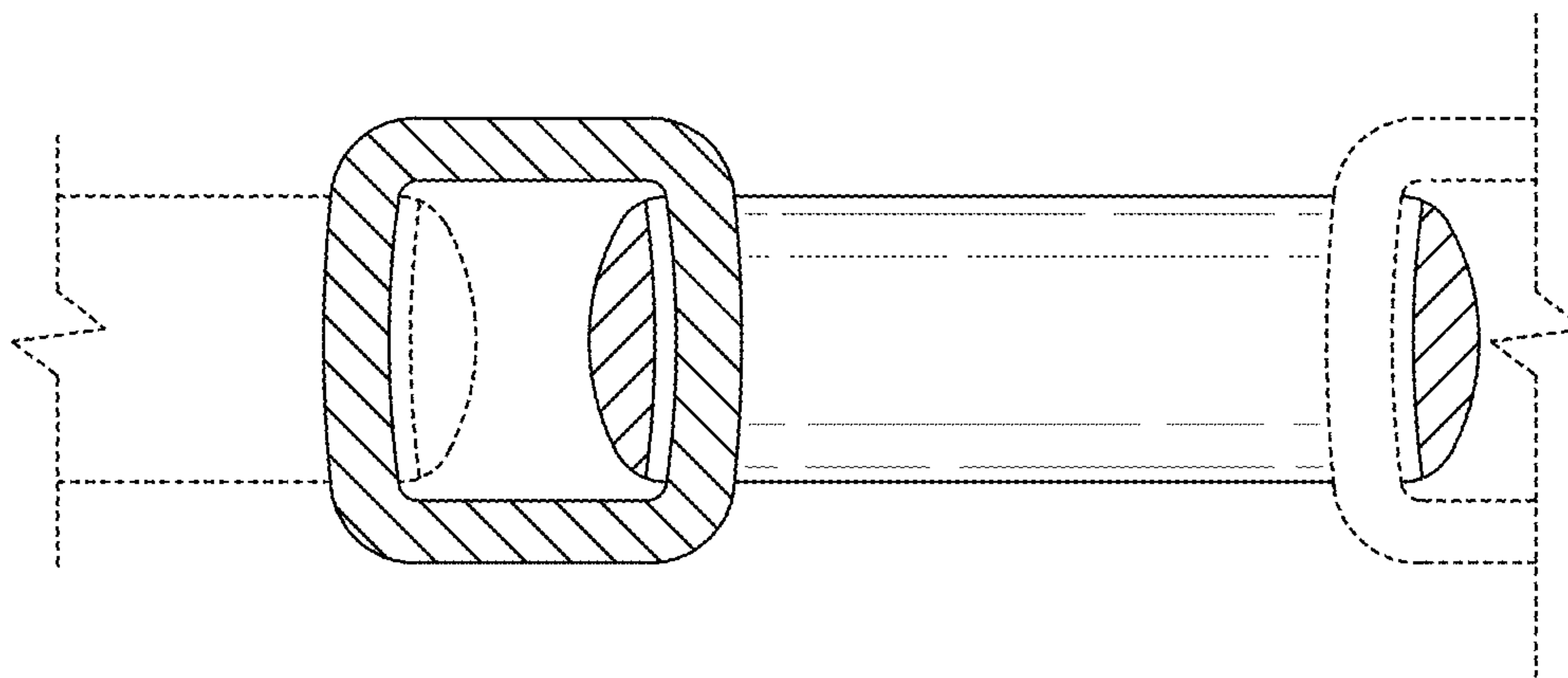


FIG. 9

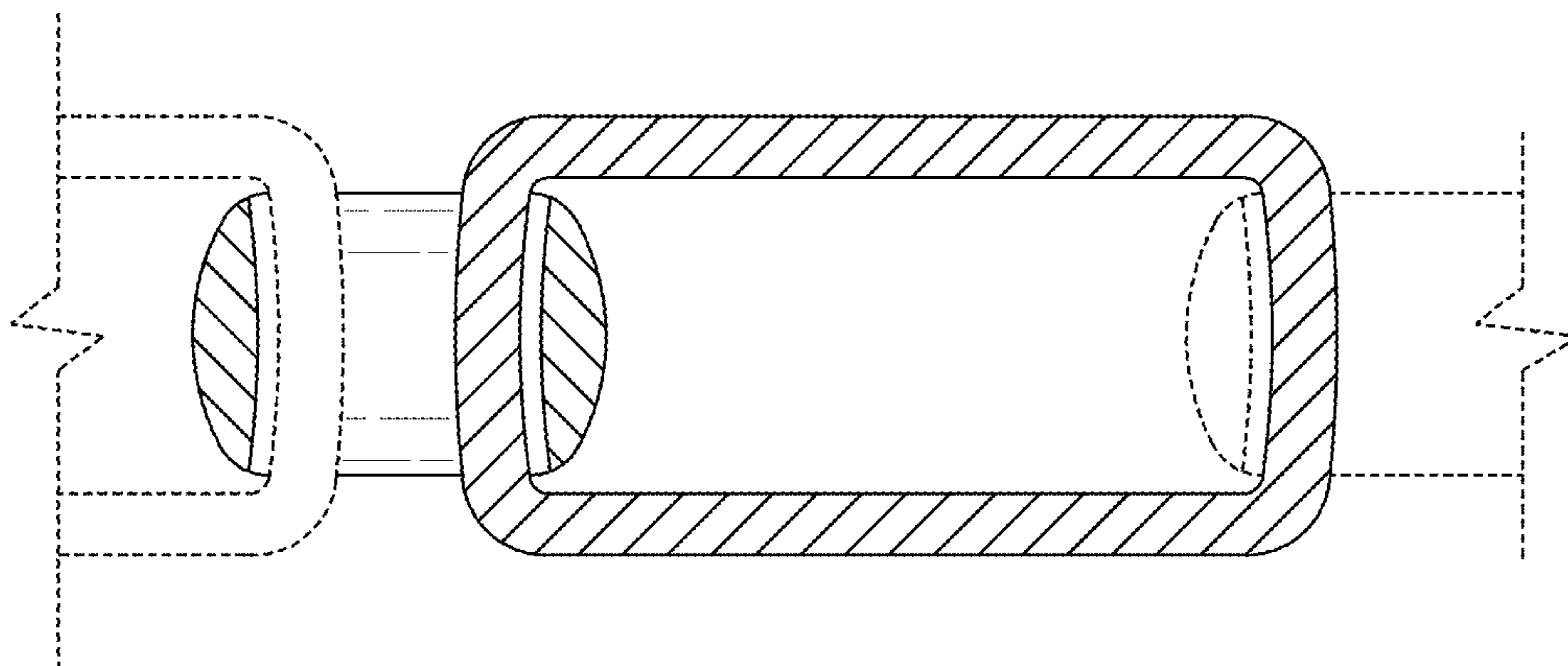


FIG. 10

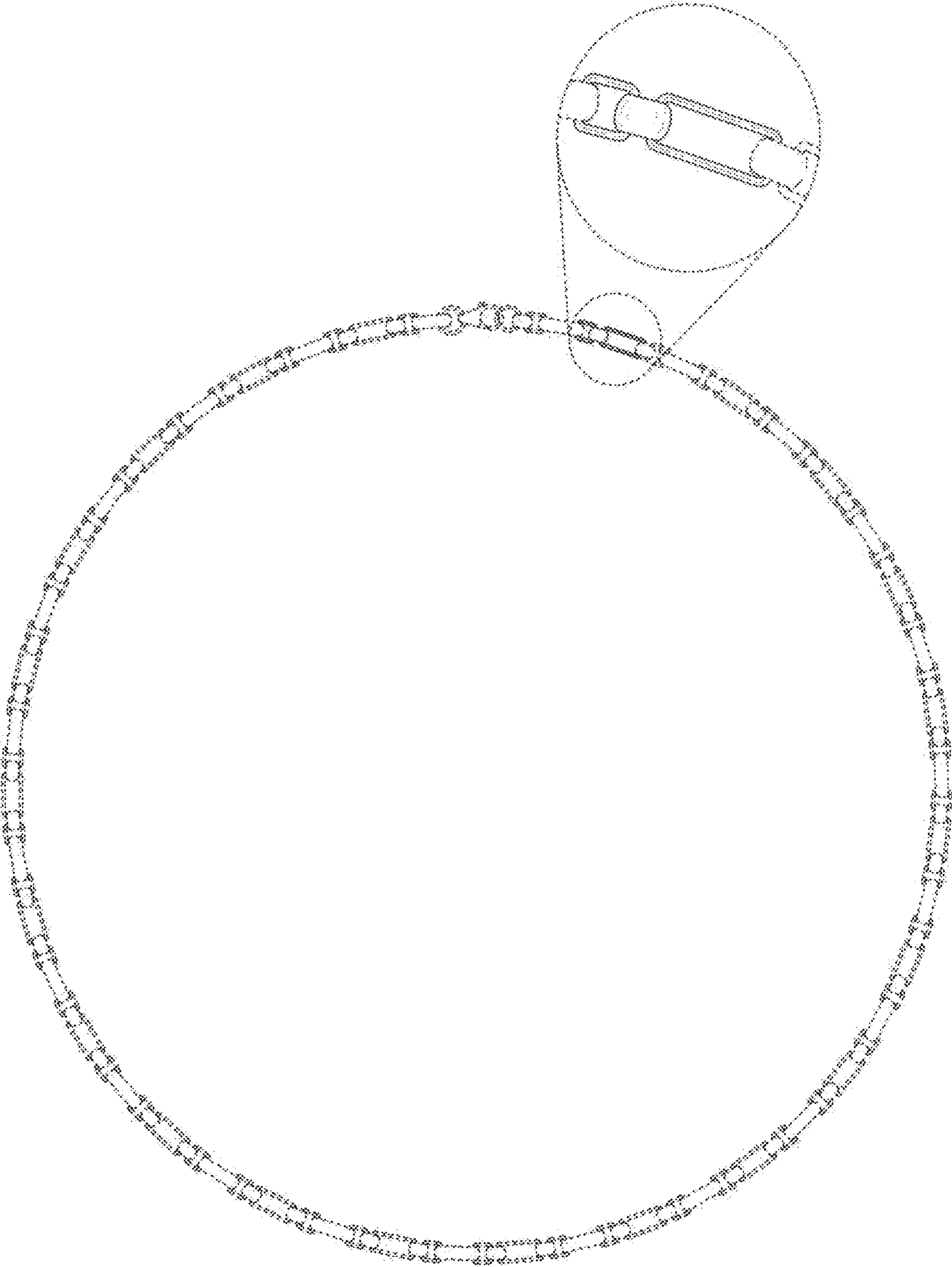


FIG. 11

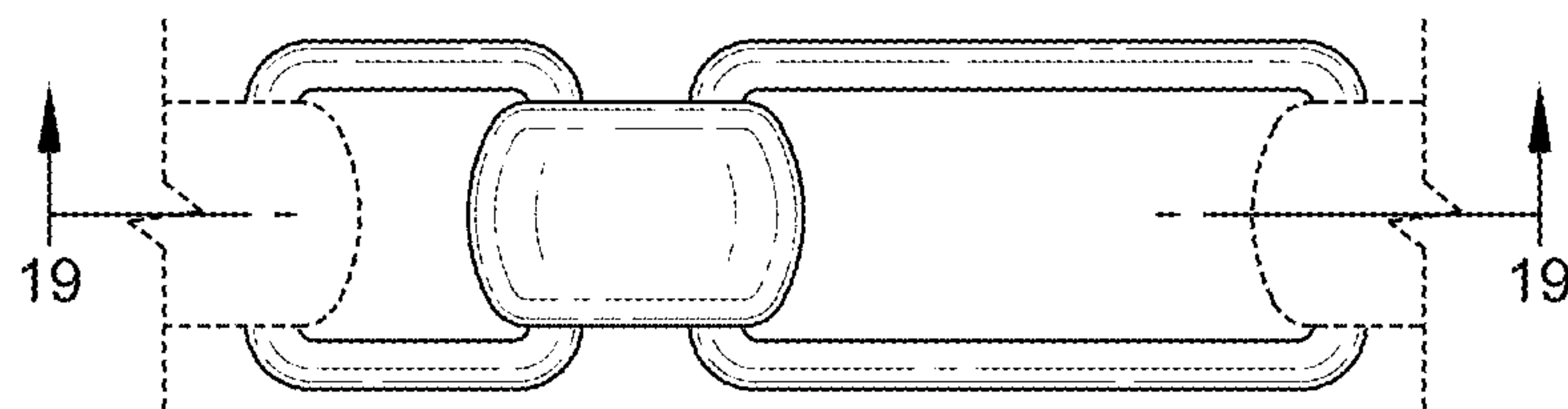


FIG. 12

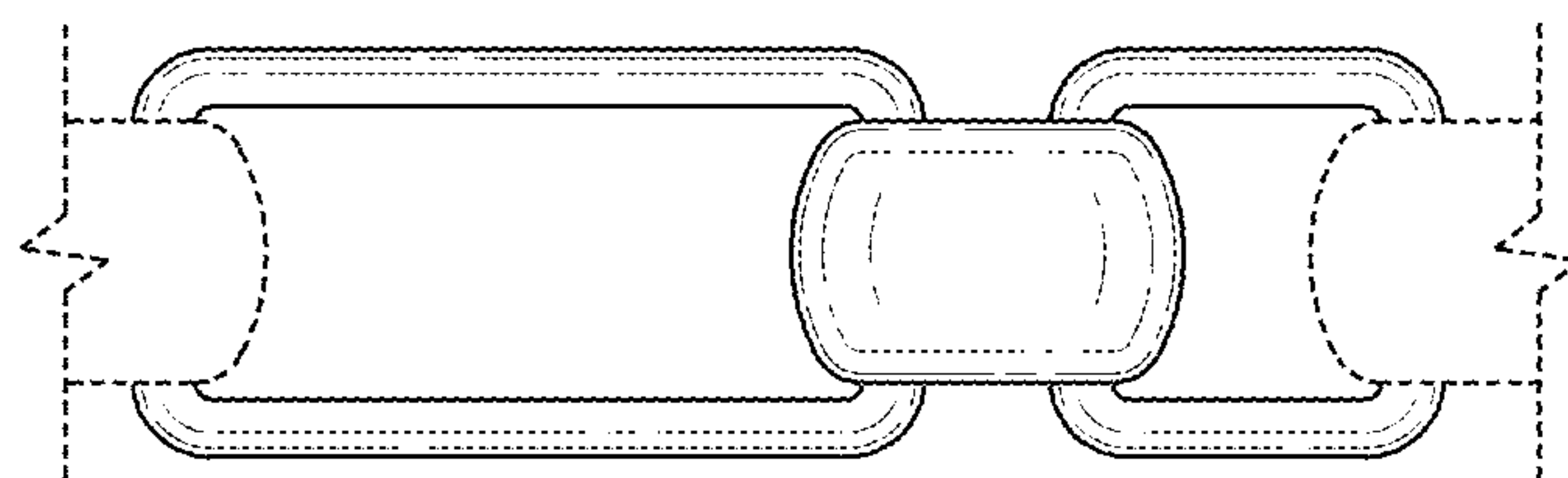


FIG. 13

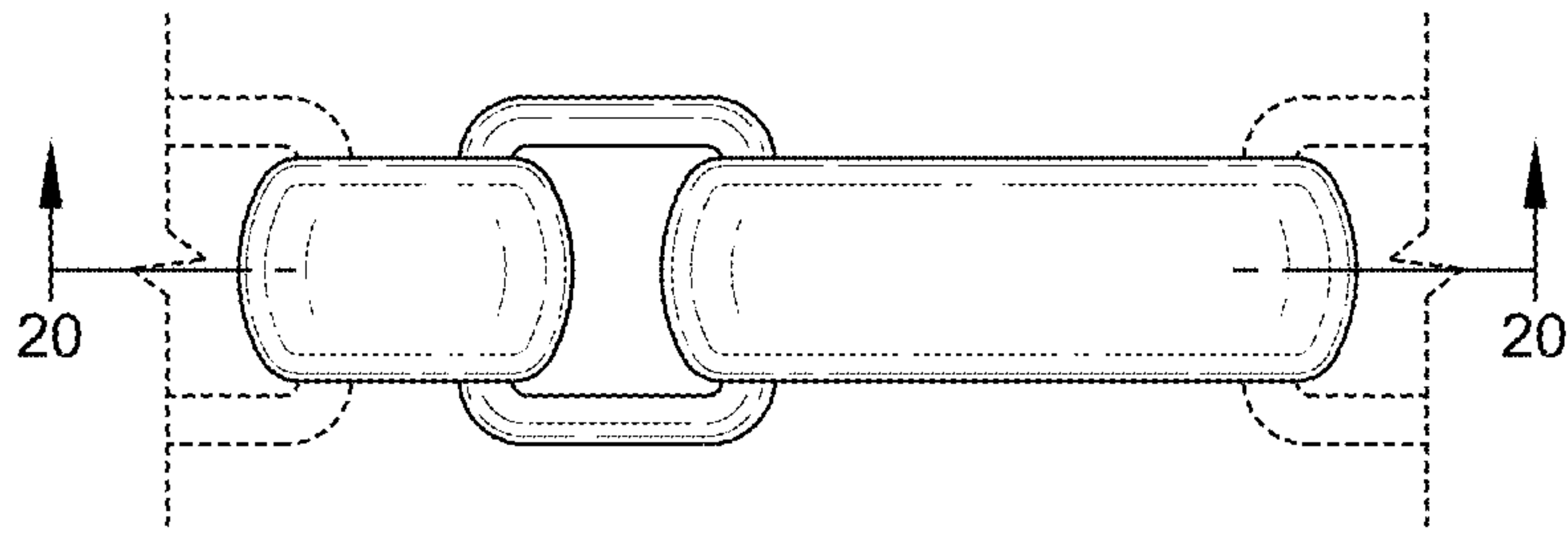


FIG. 14

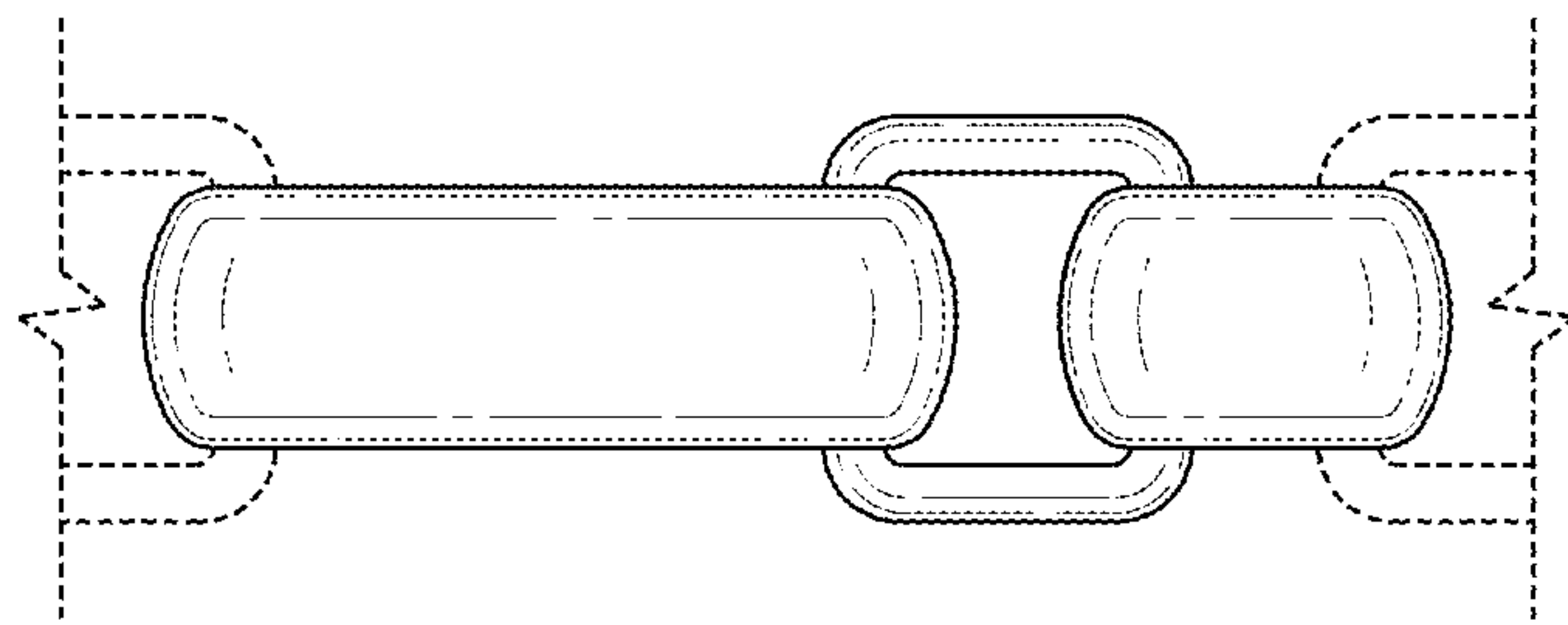


FIG. 15

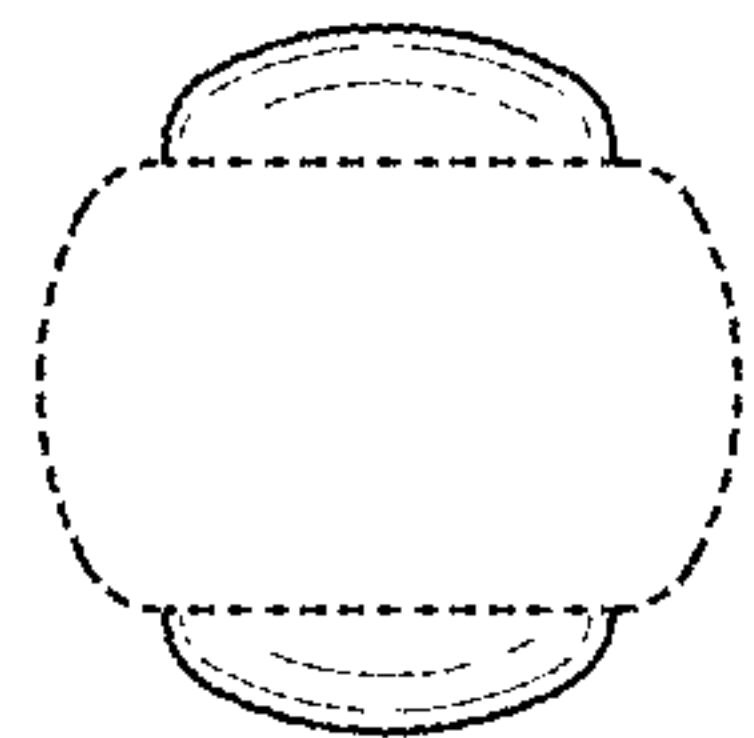


FIG. 16

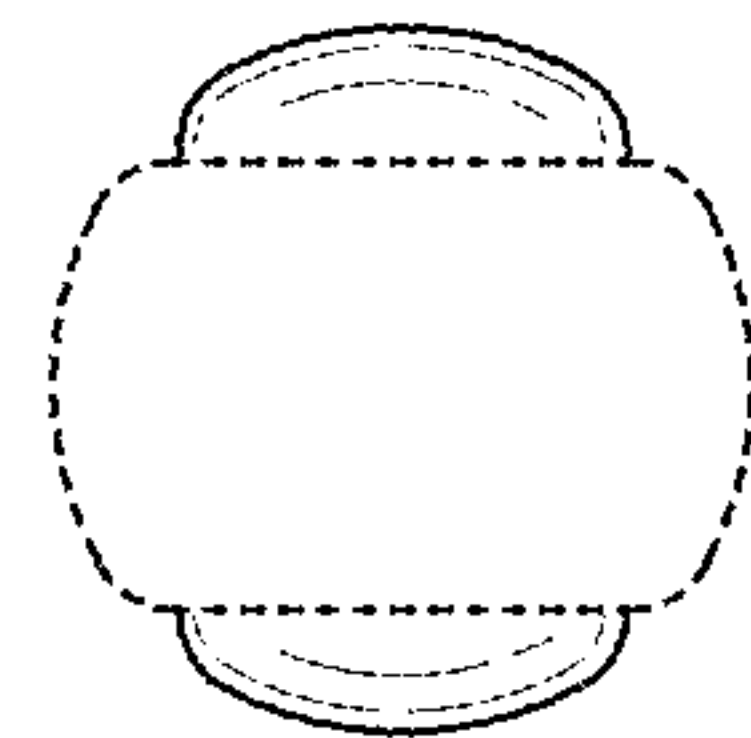


FIG. 17

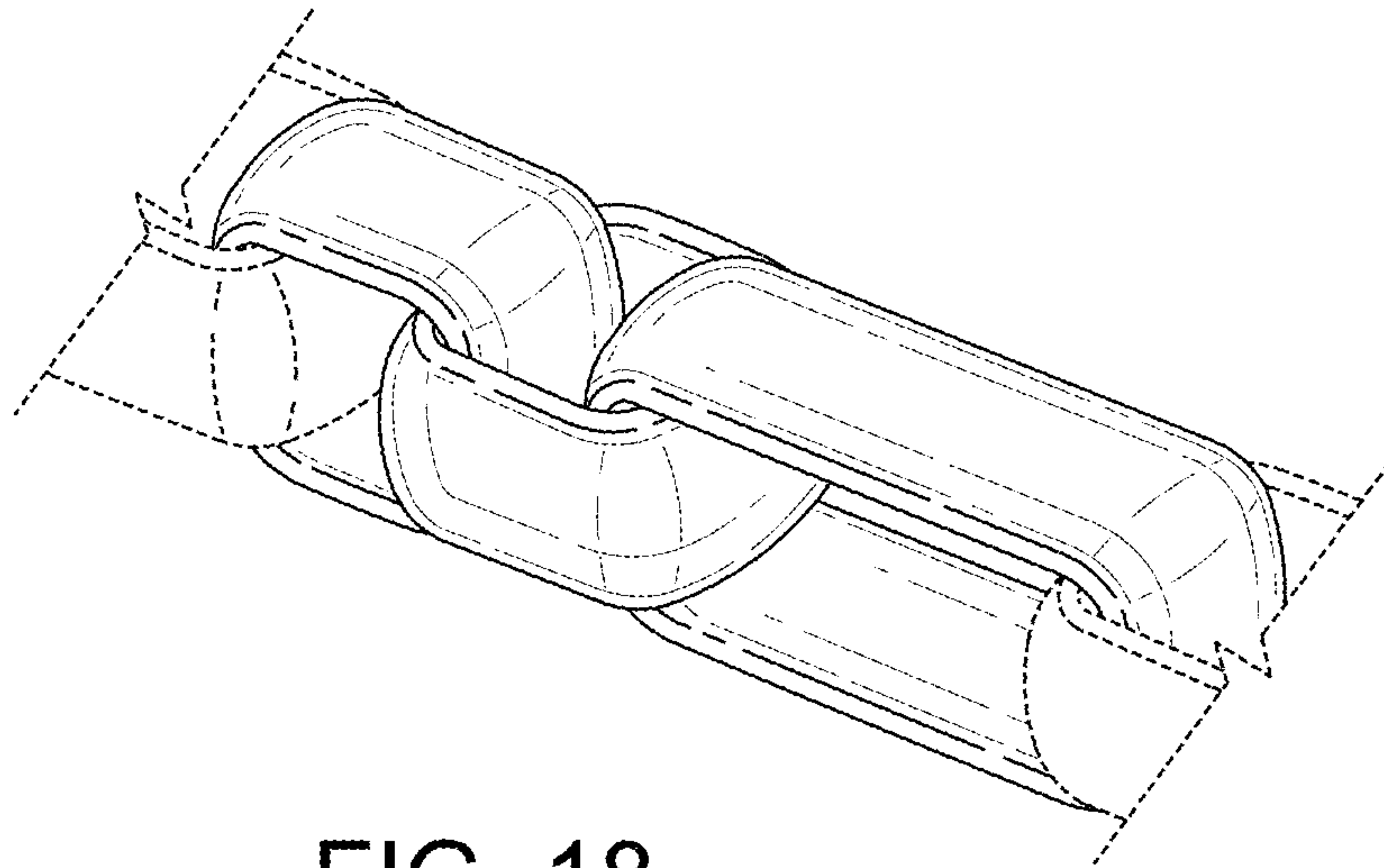


FIG. 18

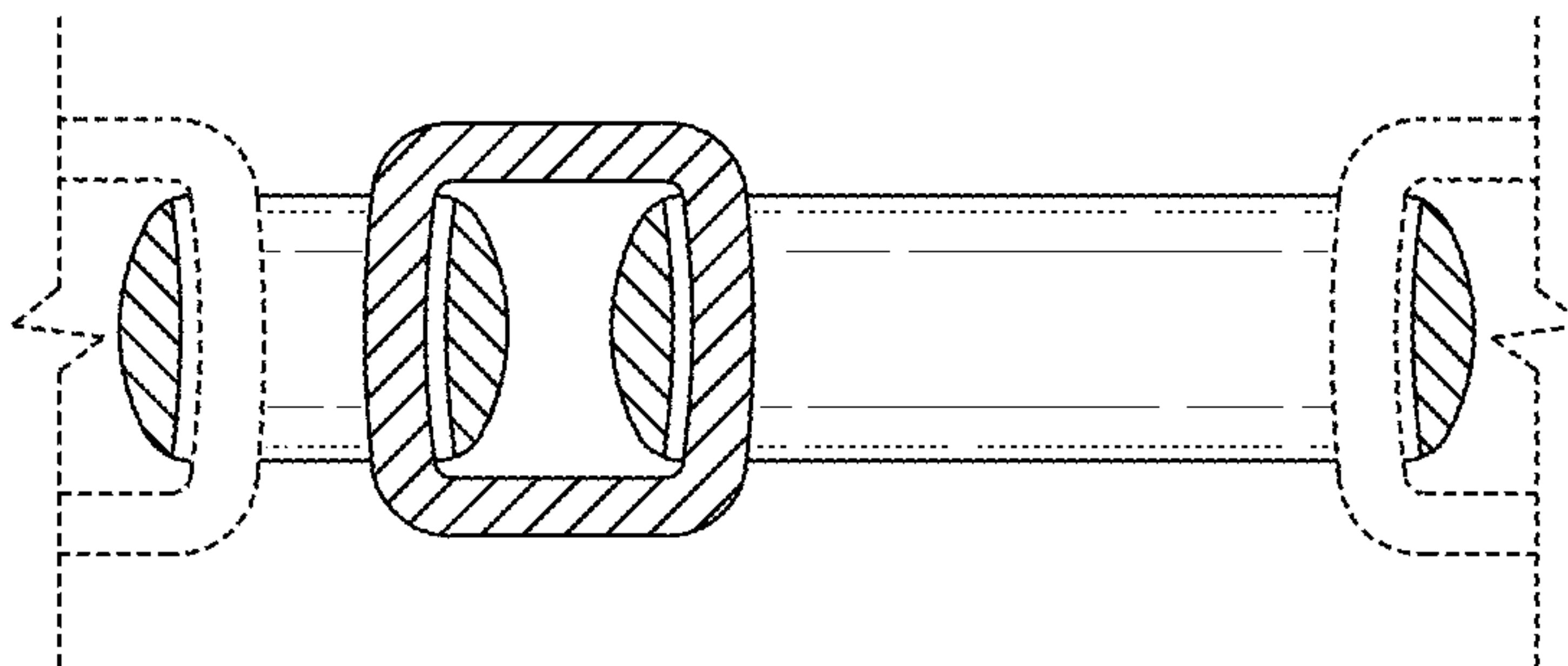


FIG. 19

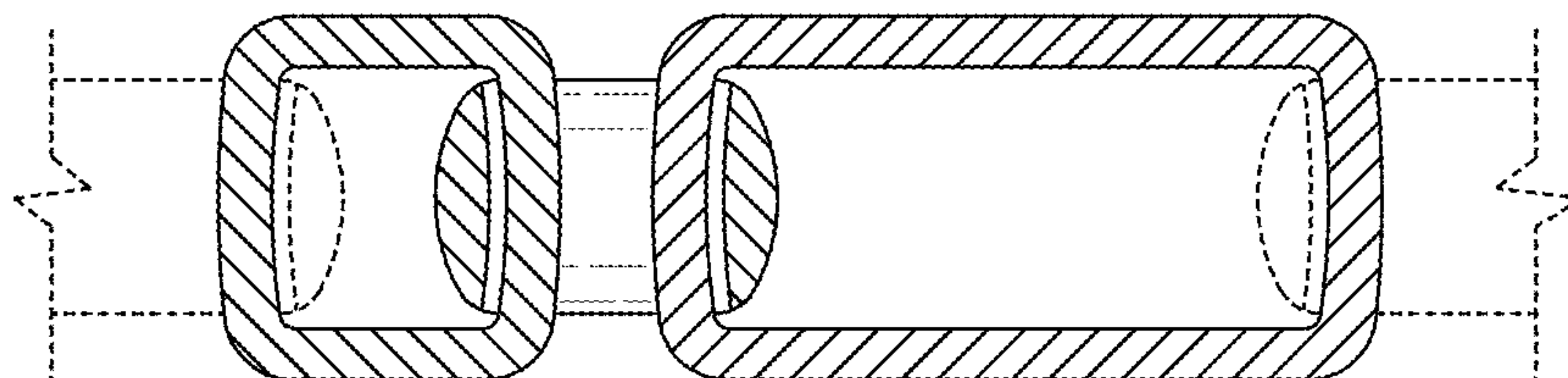


FIG. 20

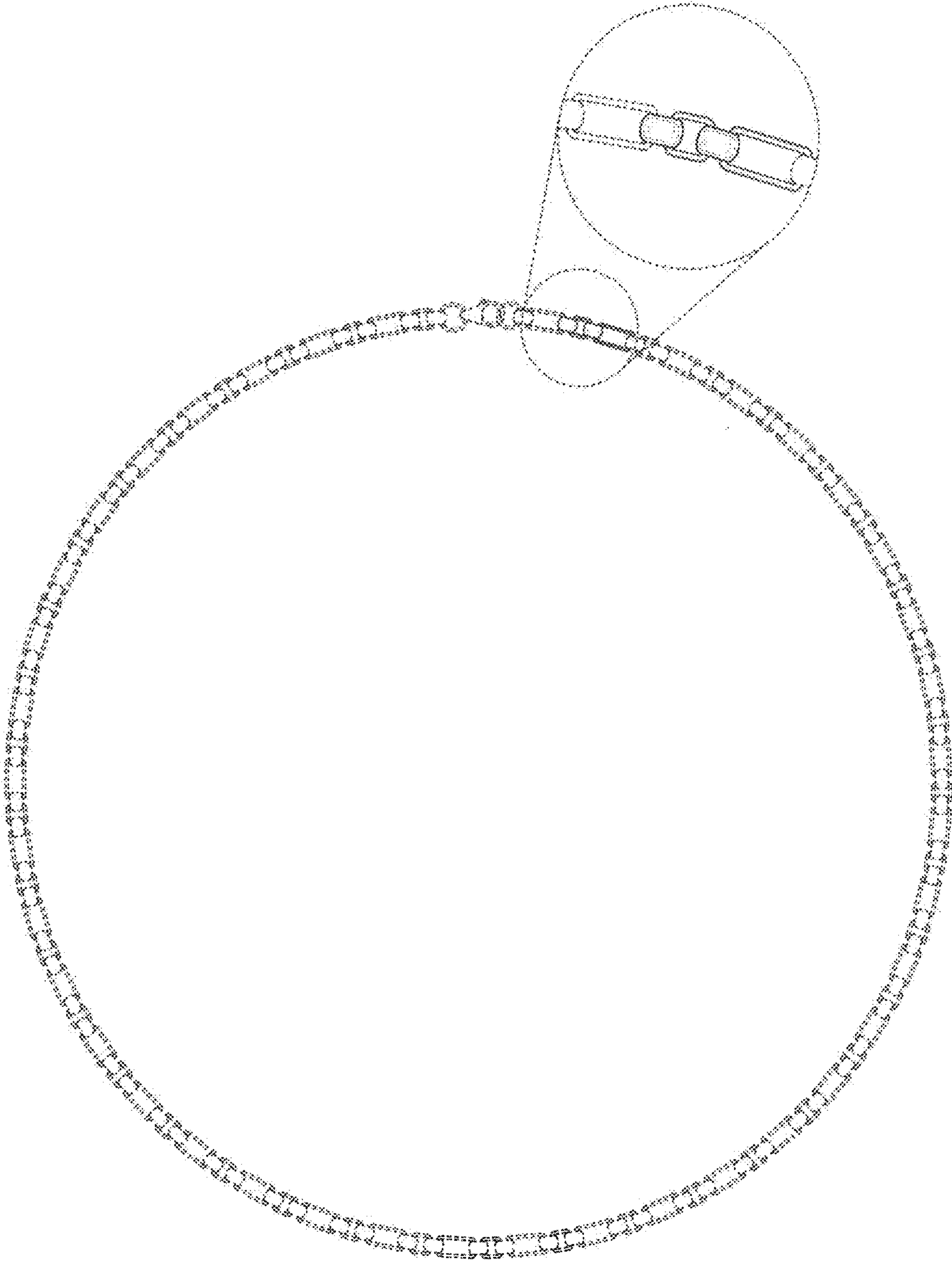


FIG. 21

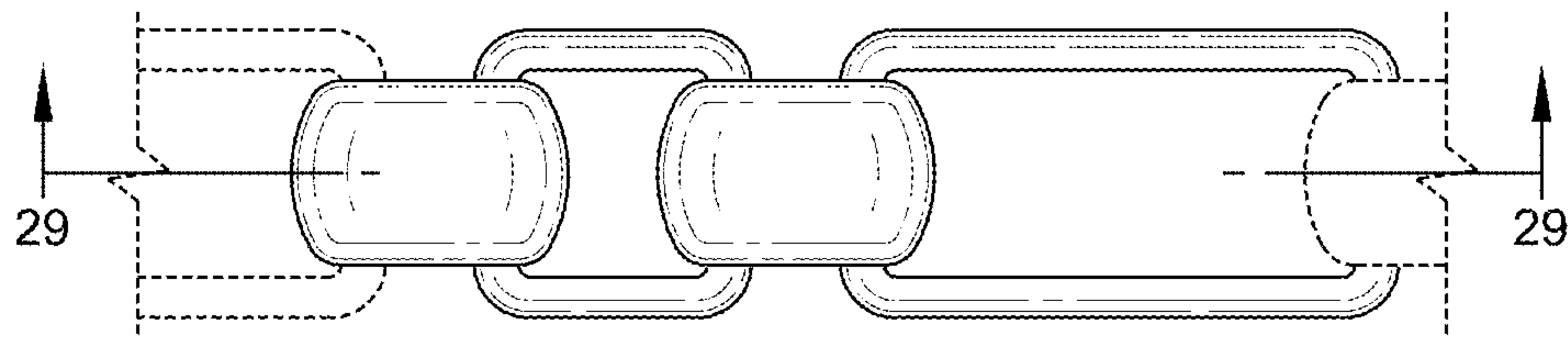


FIG. 22

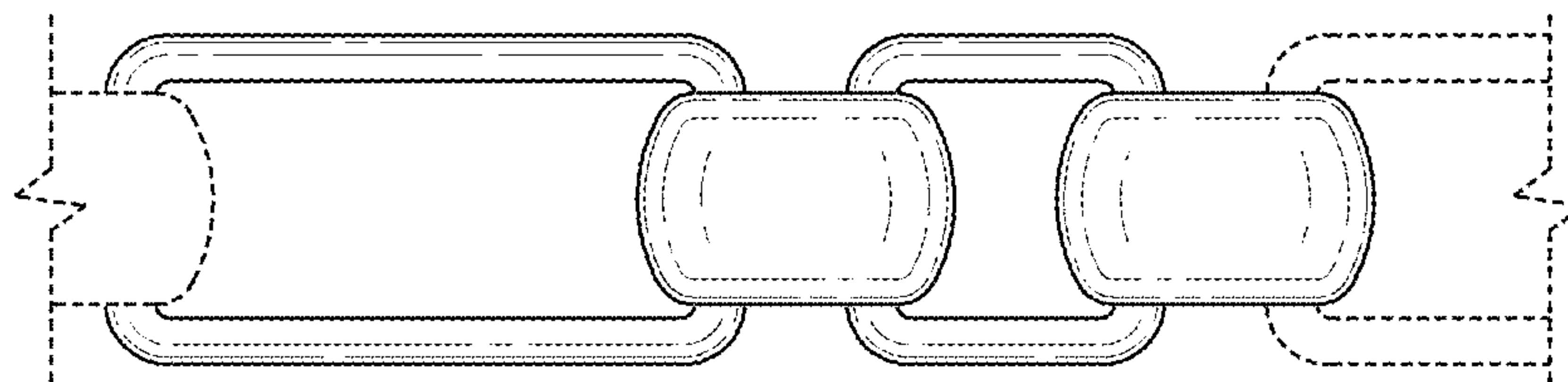


FIG. 23

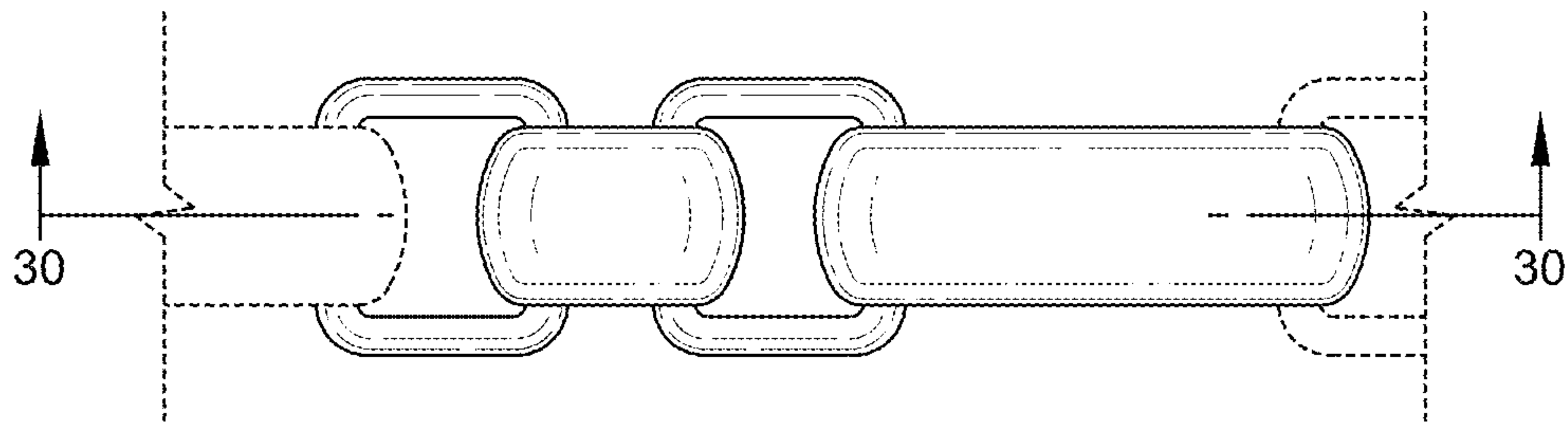


FIG. 24

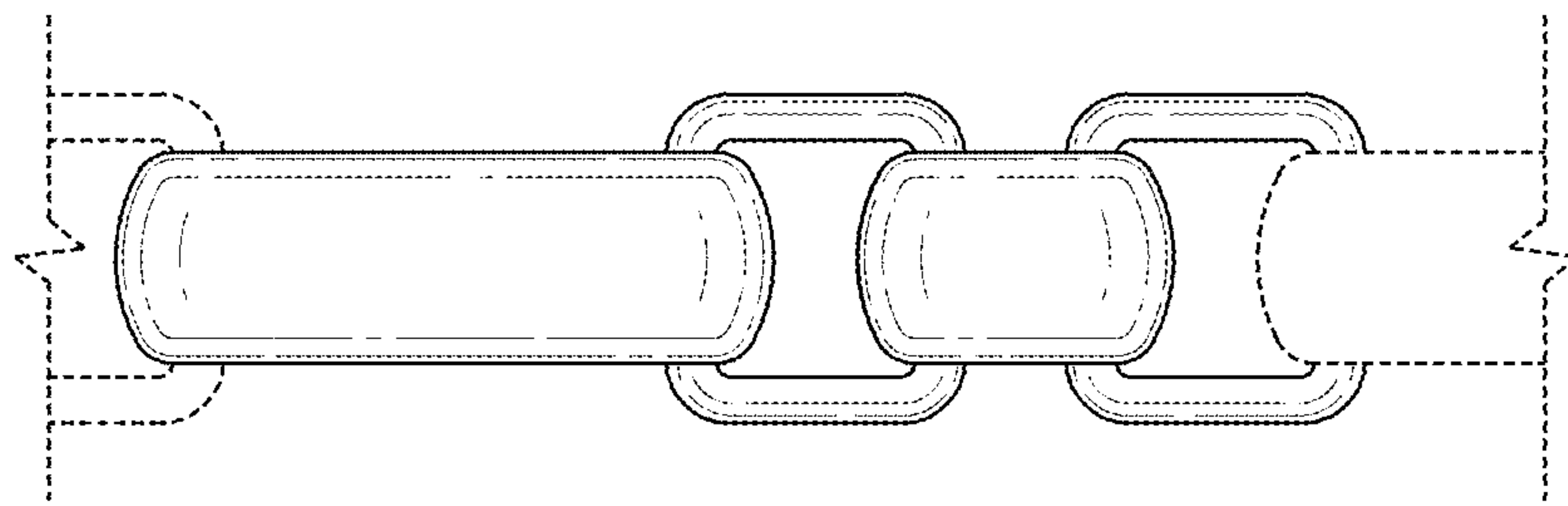


FIG. 25

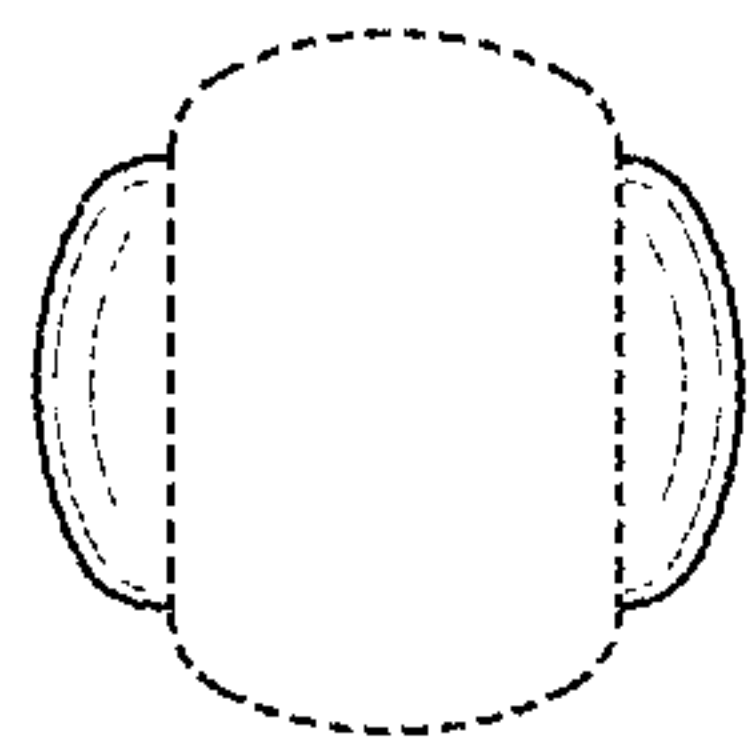


FIG. 26

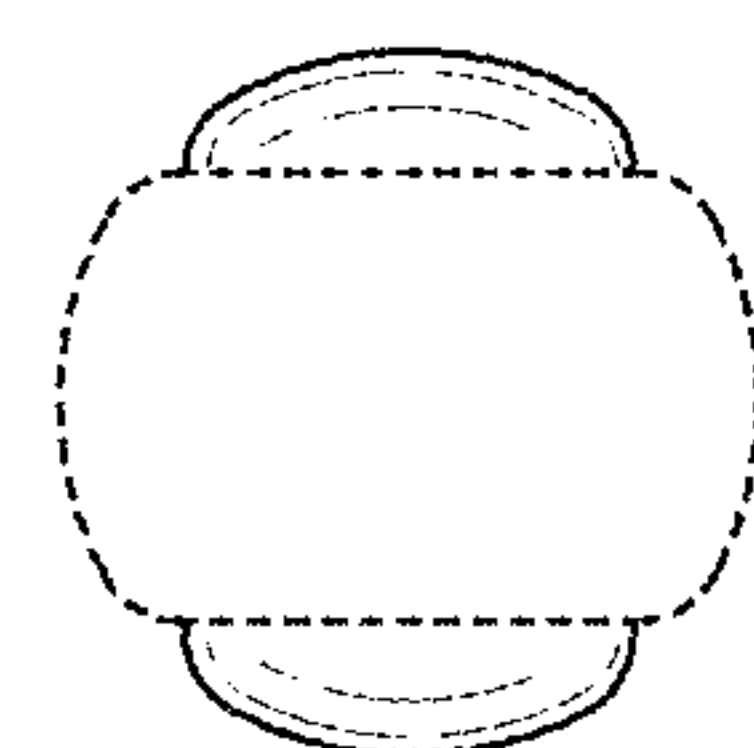


FIG. 27

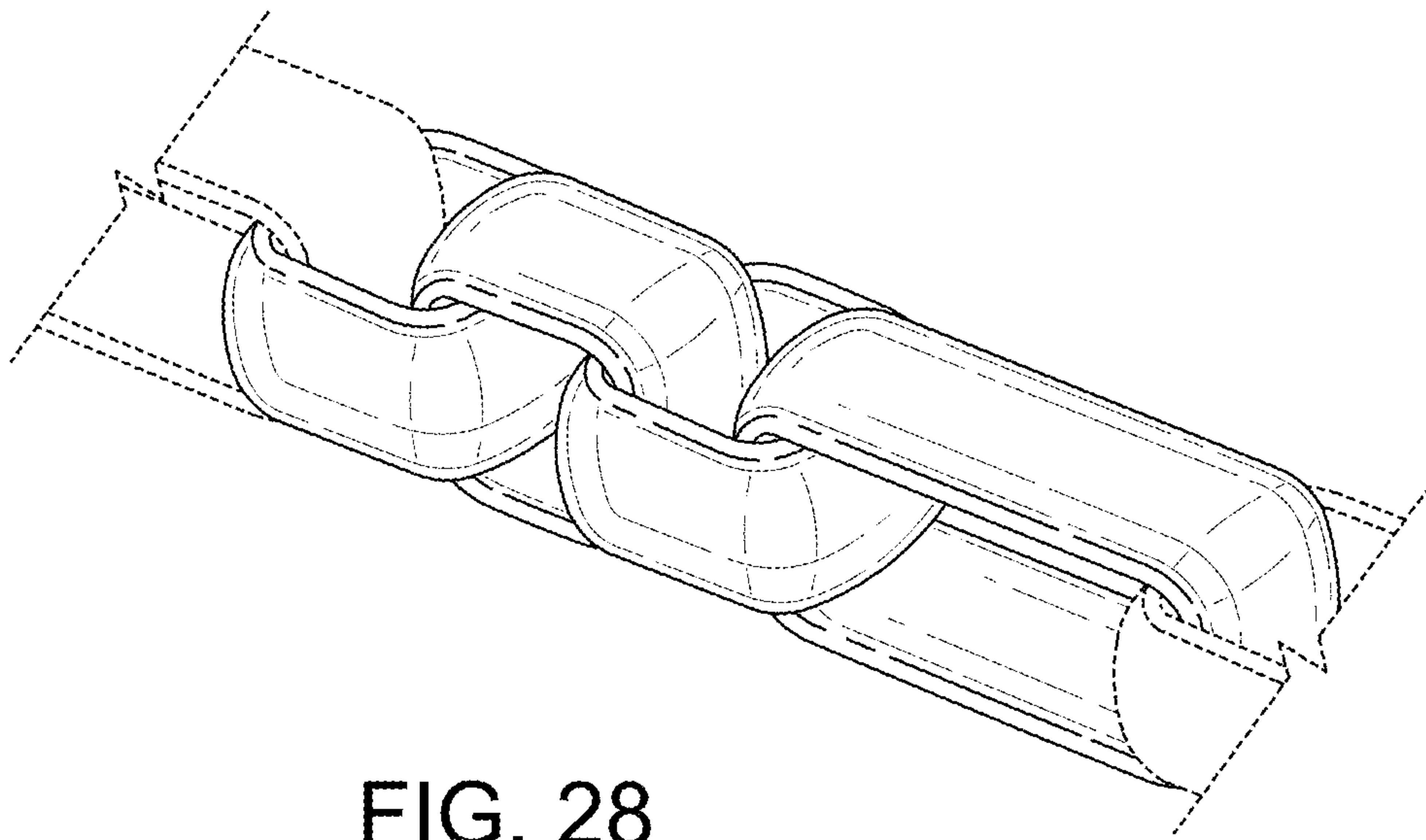


FIG. 28

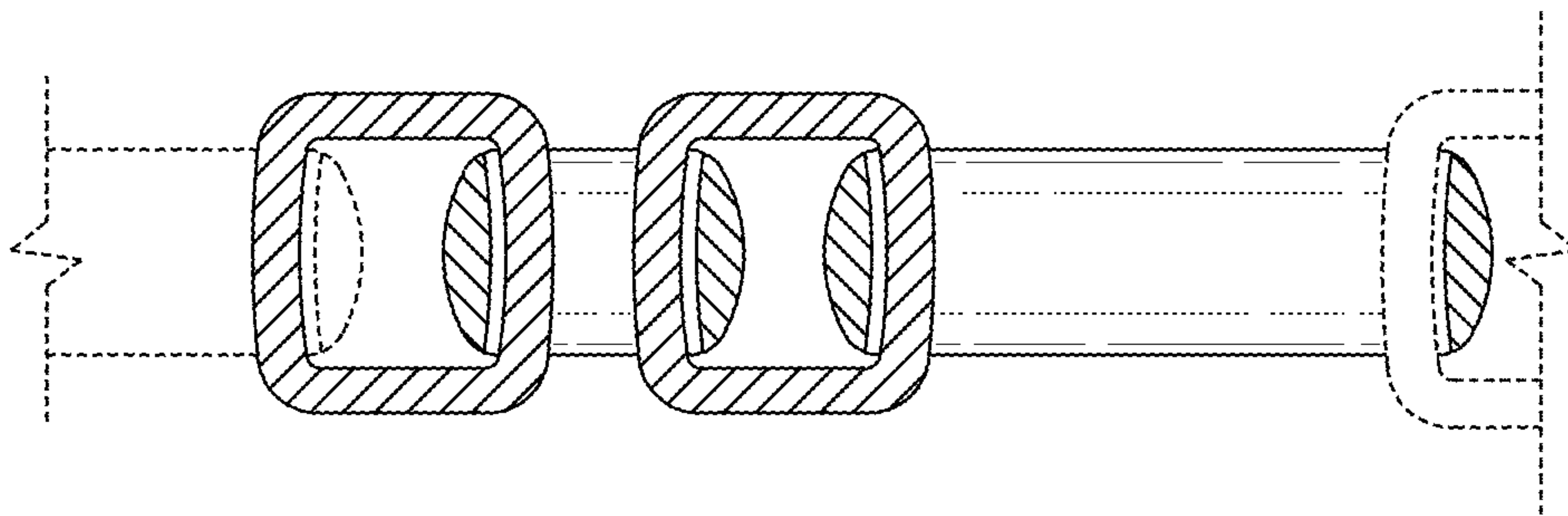


FIG. 29

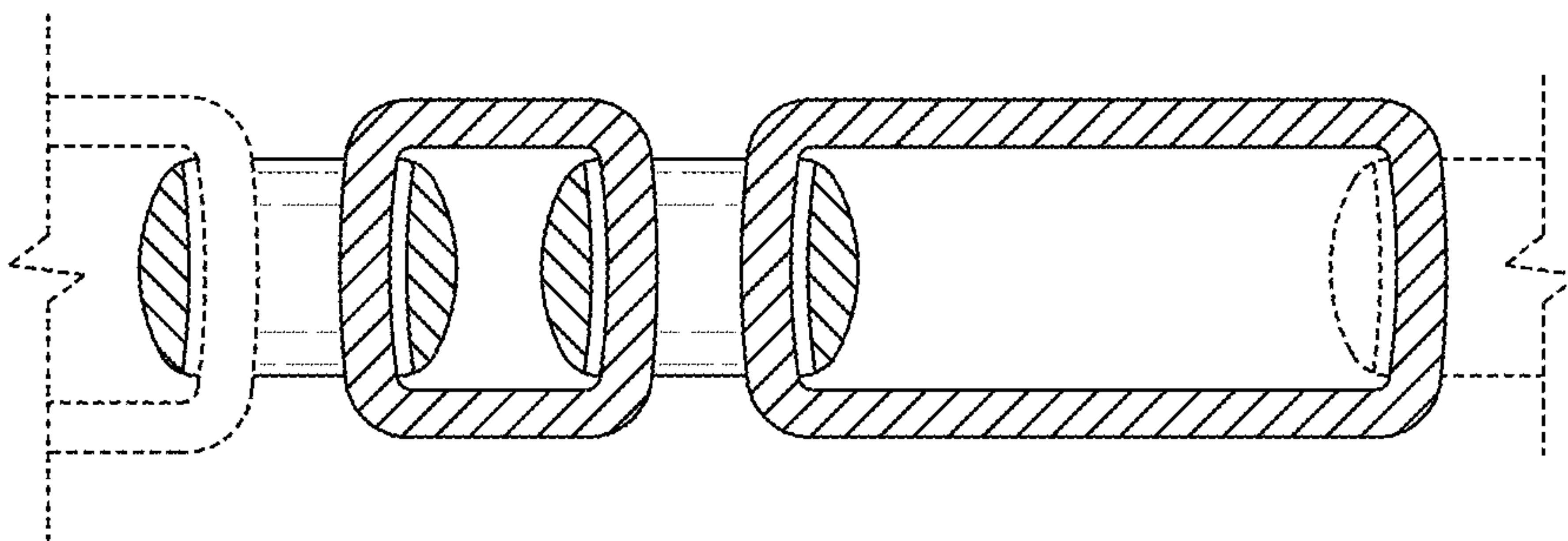


FIG. 30

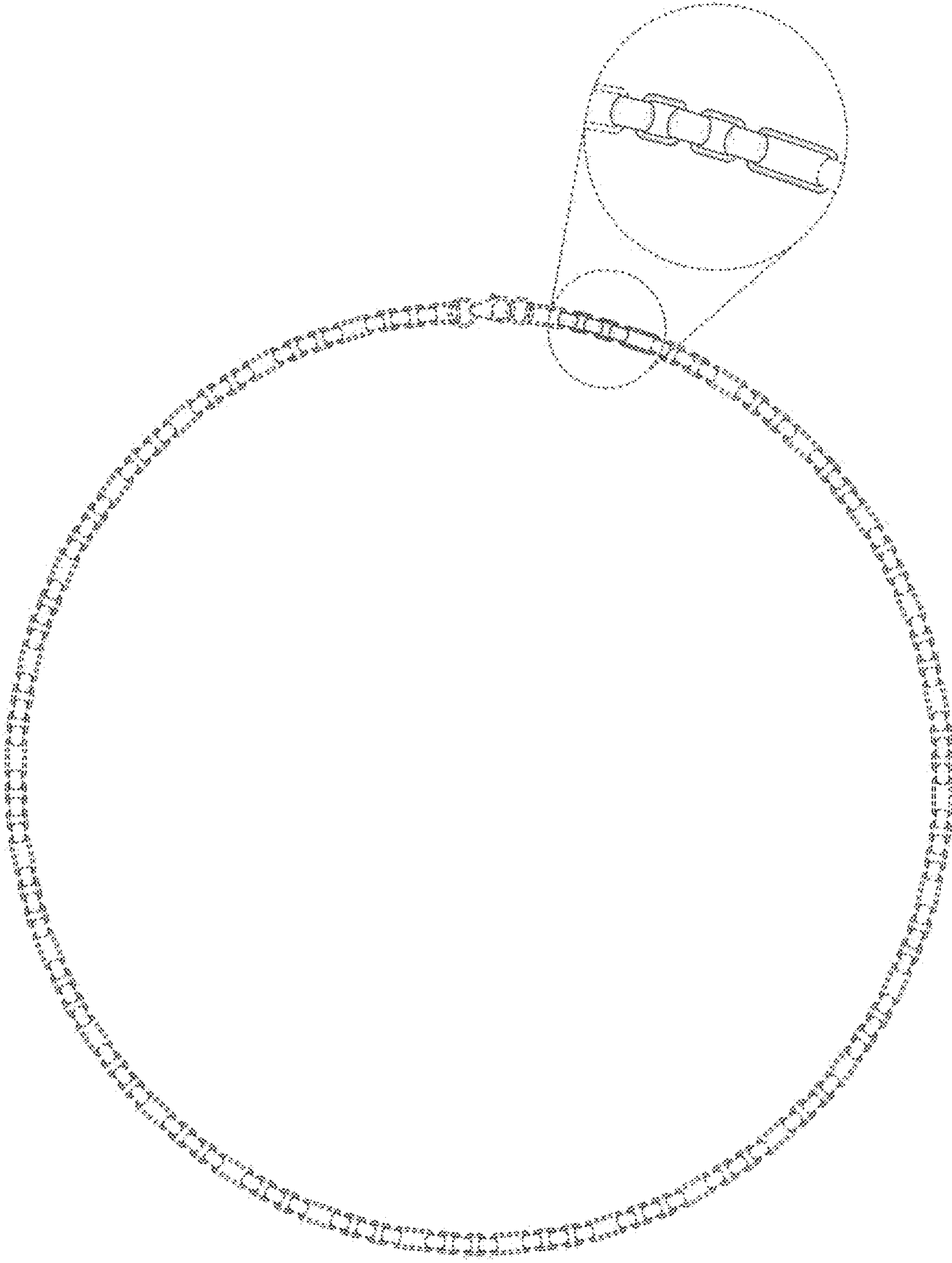


FIG. 31

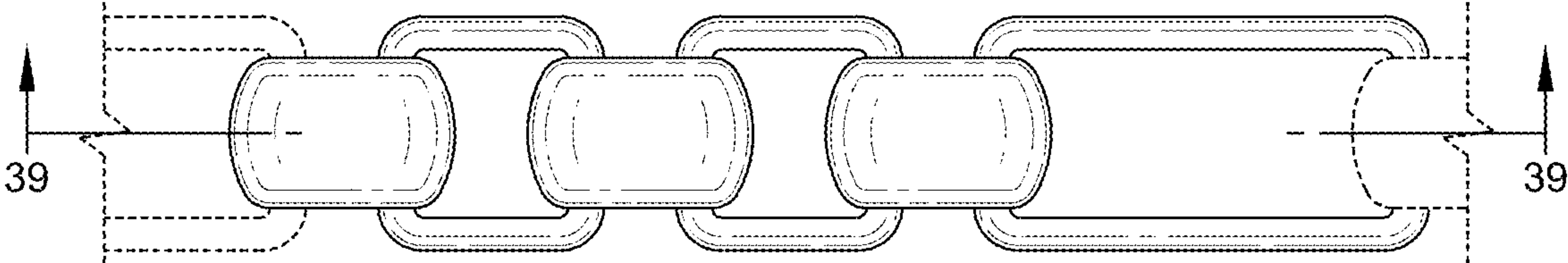


FIG. 32

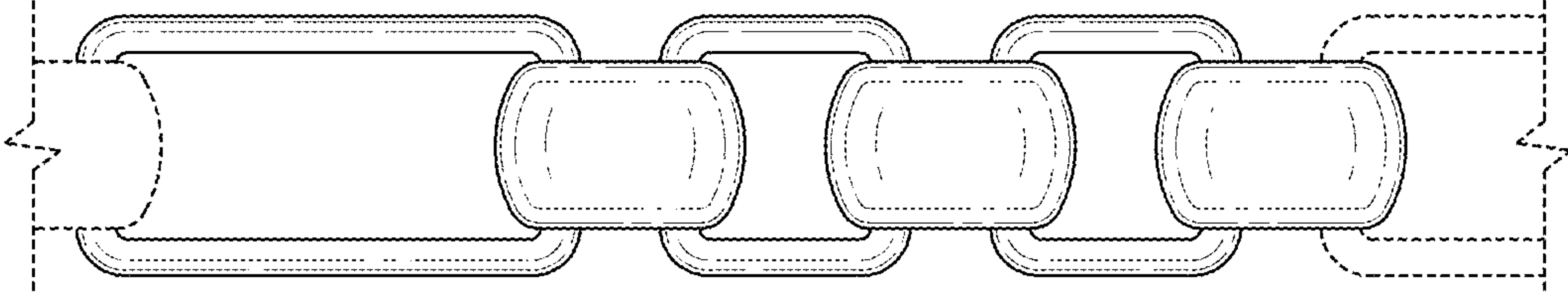


FIG. 33

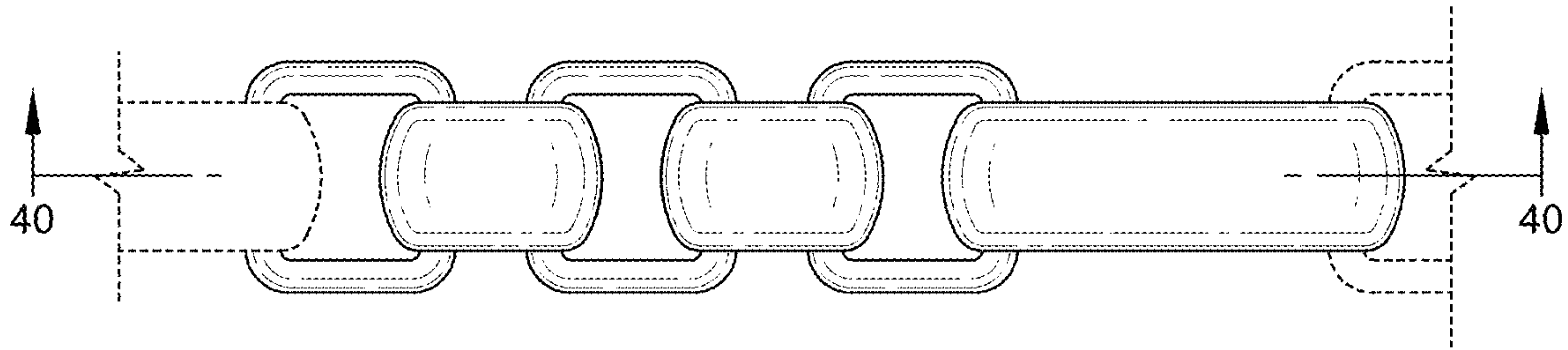


FIG. 34

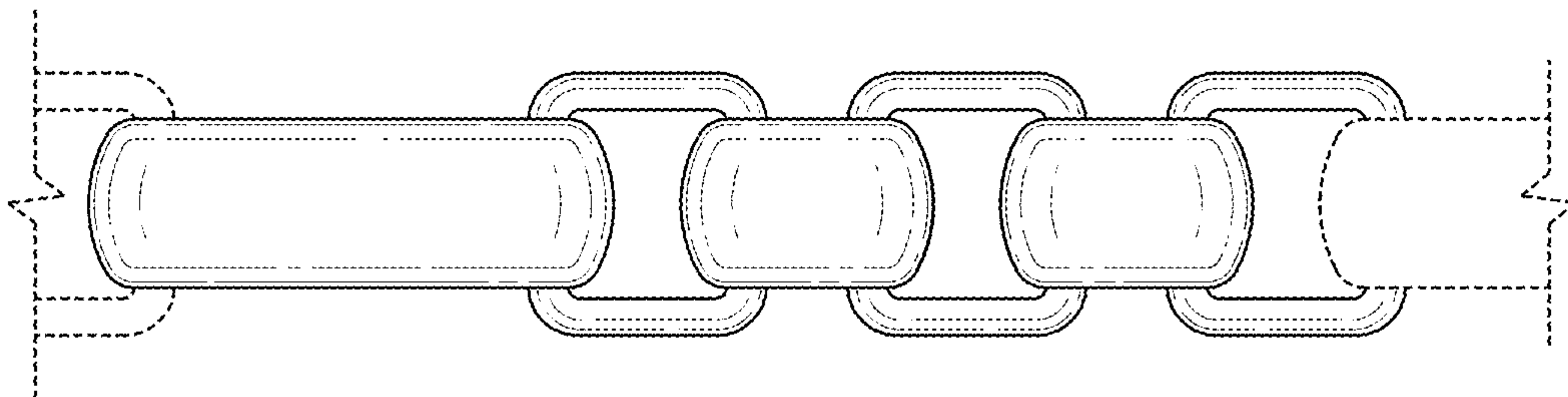


FIG. 35

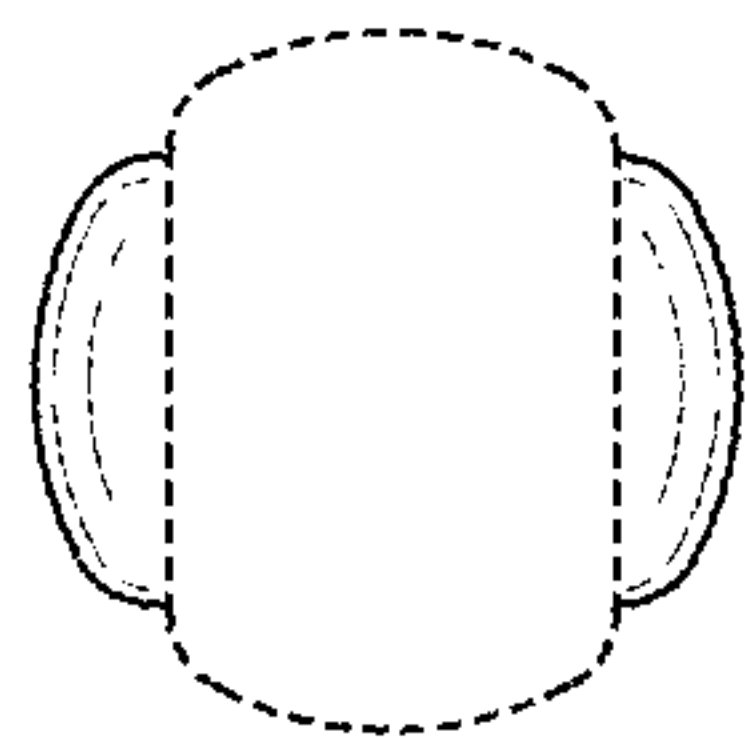


FIG. 36

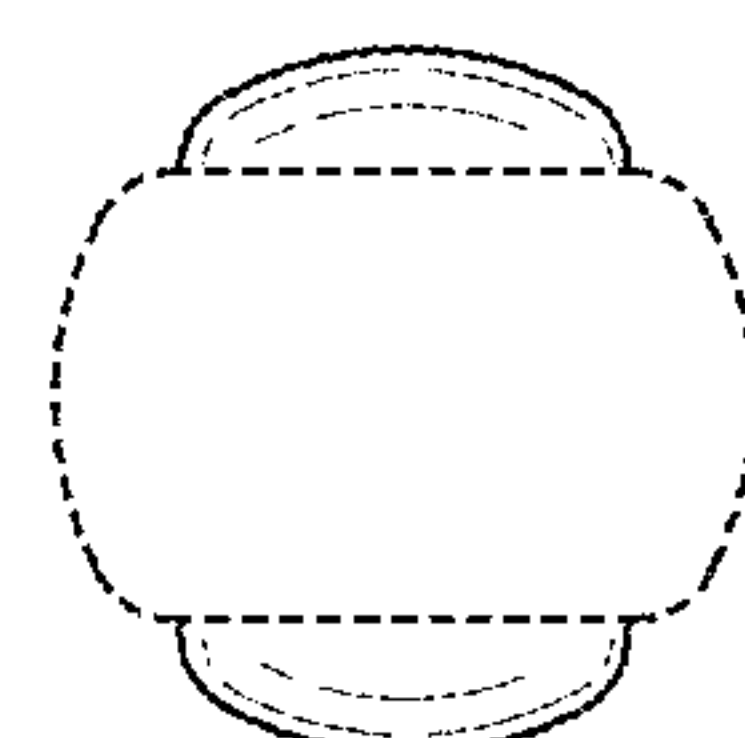


FIG. 37

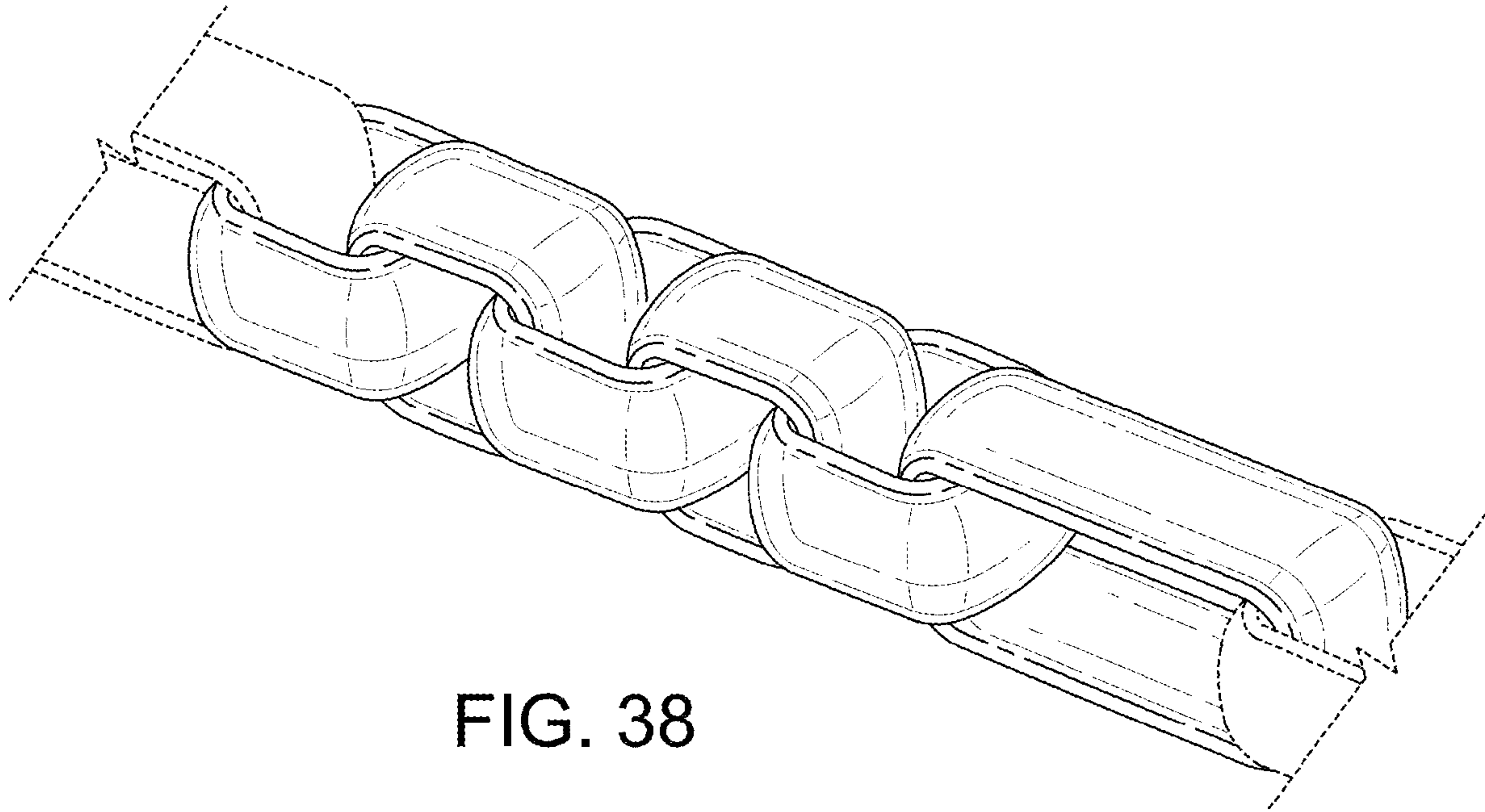


FIG. 38

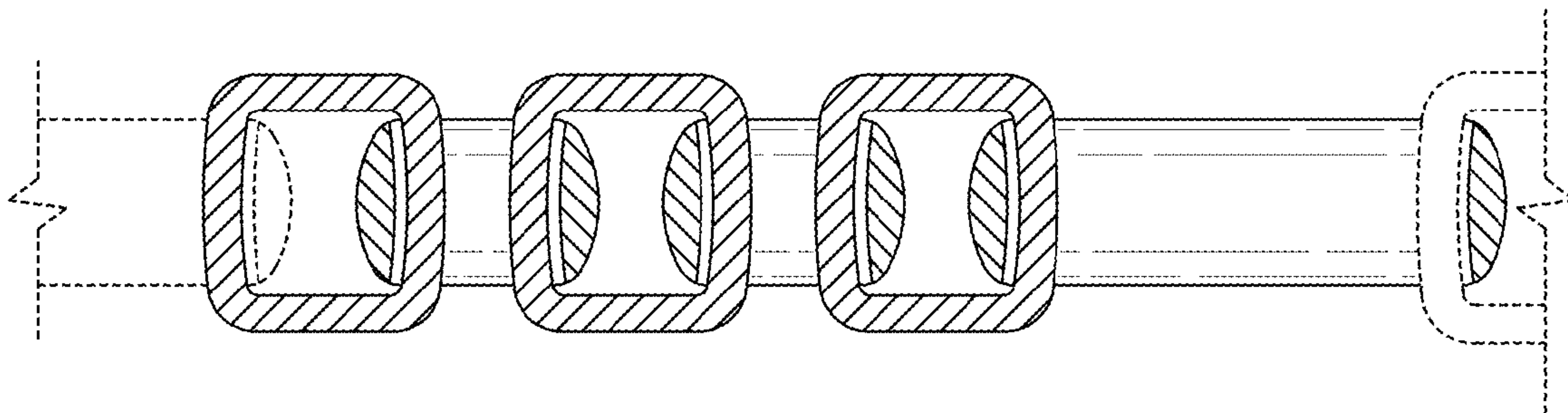


FIG. 39

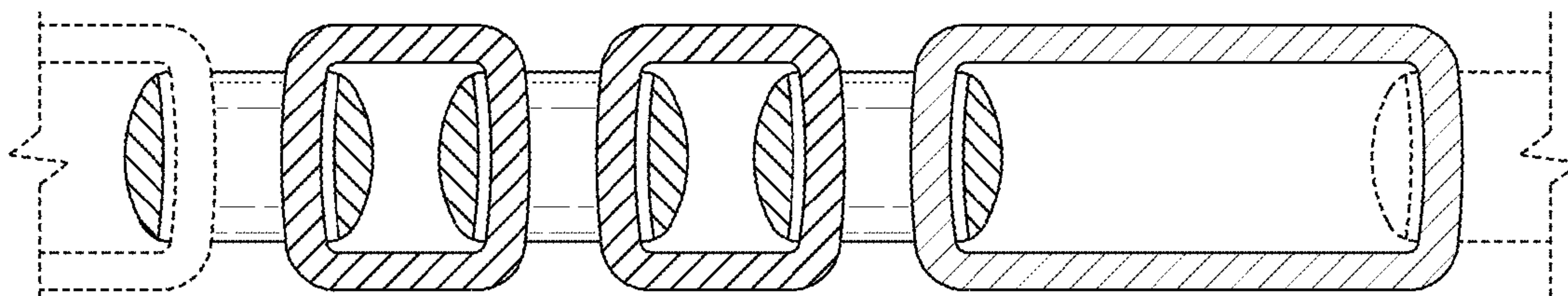


FIG. 40

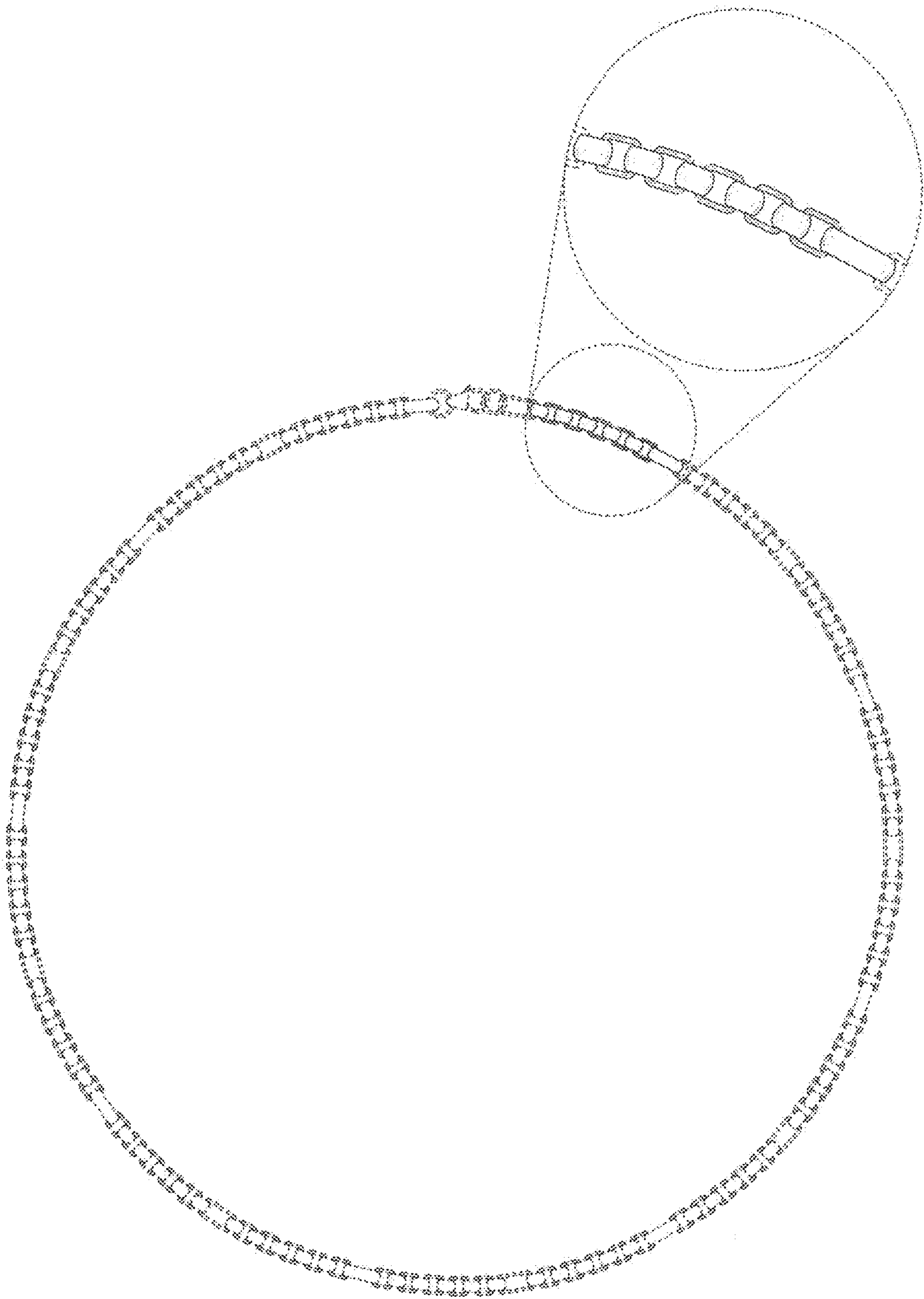


FIG. 41

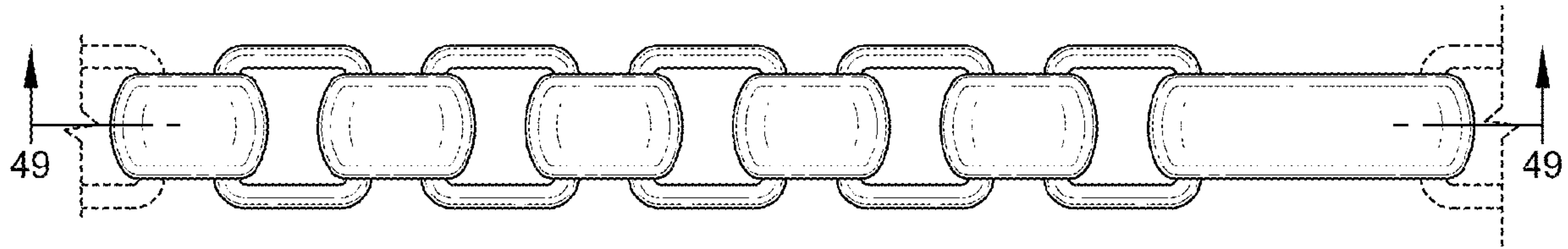


FIG. 42

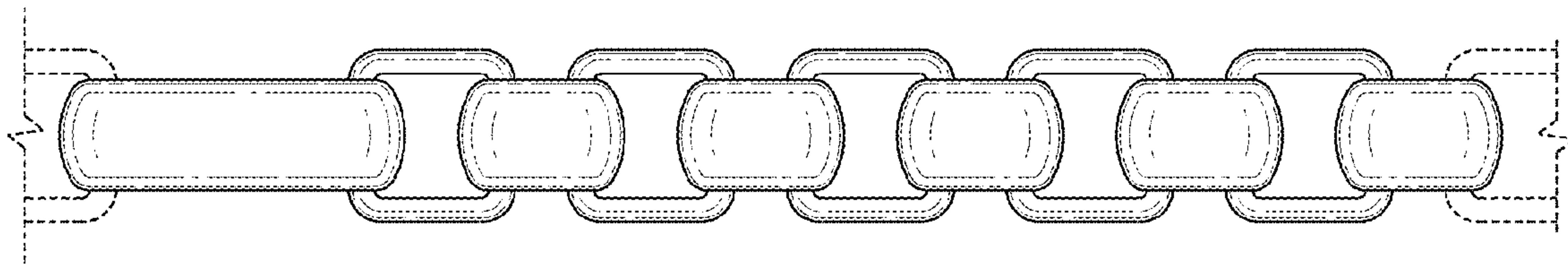


FIG. 43

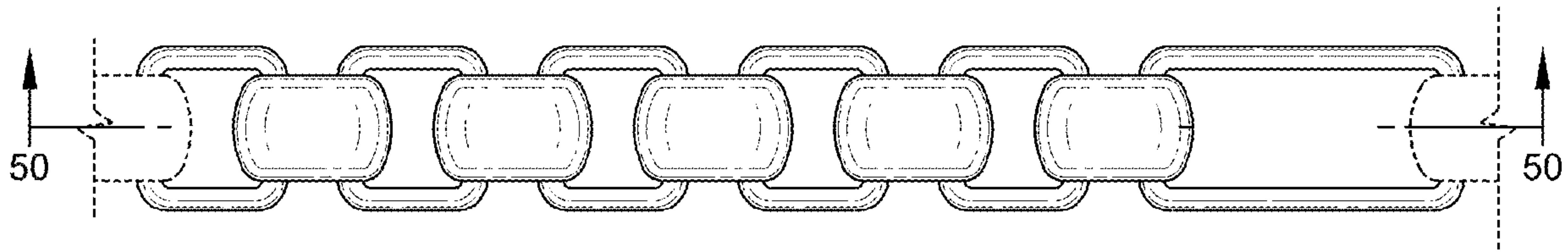


FIG. 44

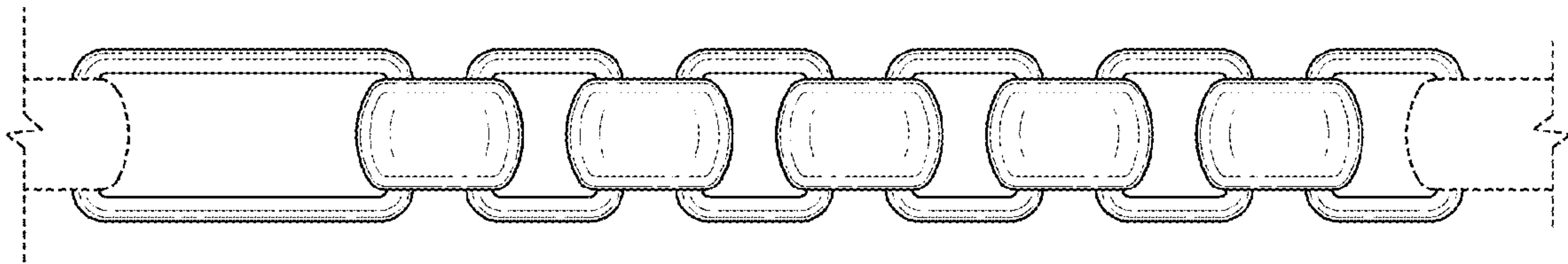


FIG. 45

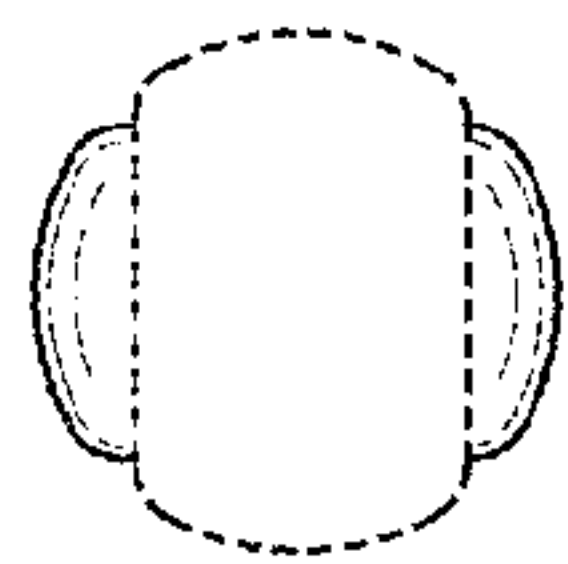


FIG. 46

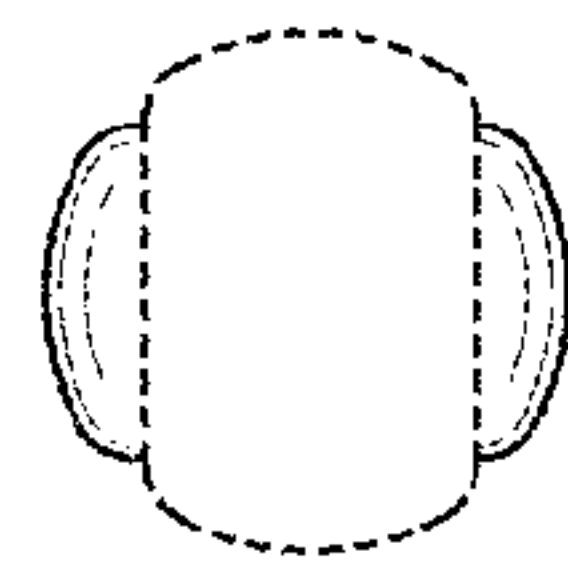


FIG. 47

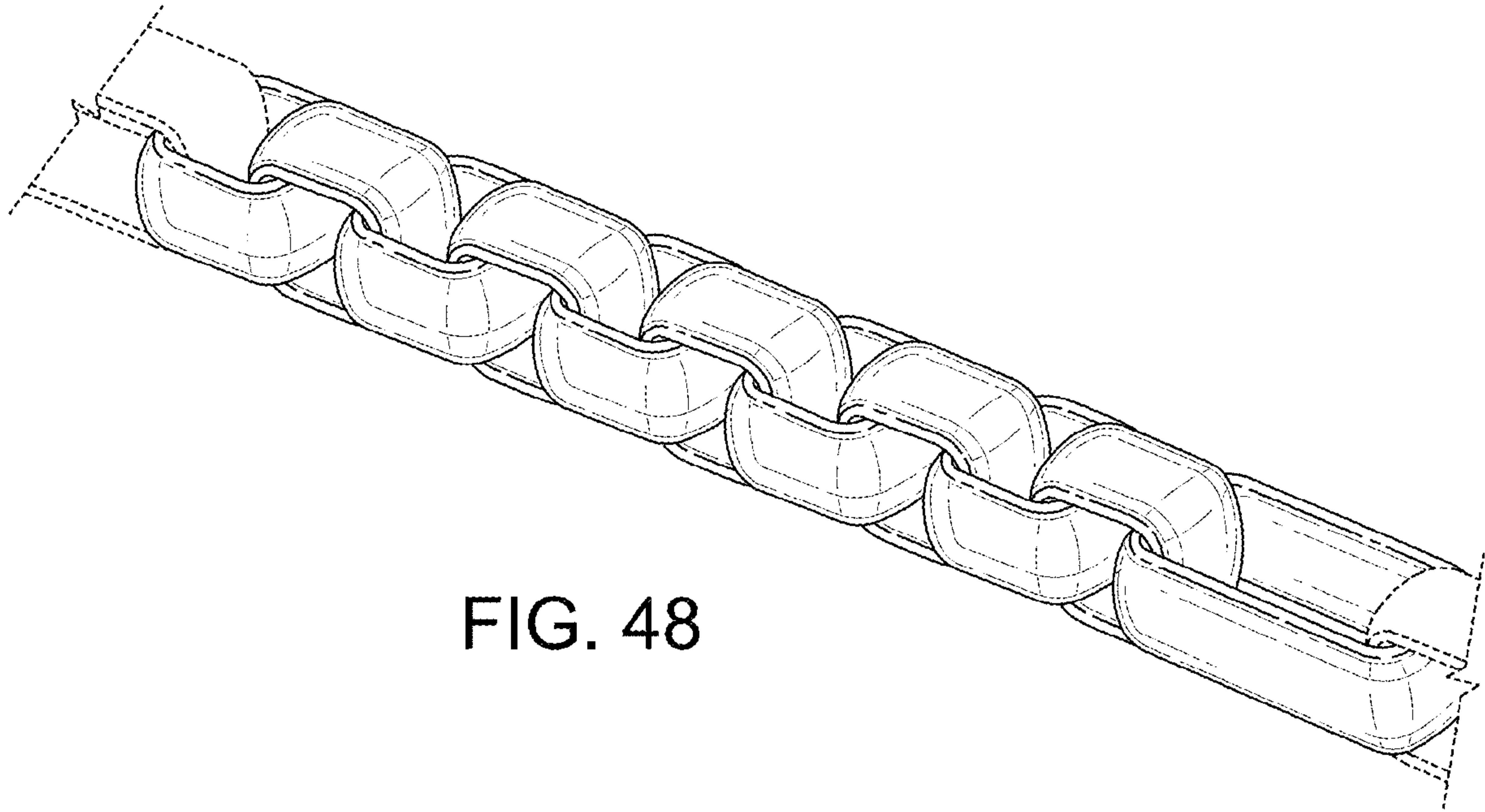


FIG. 48

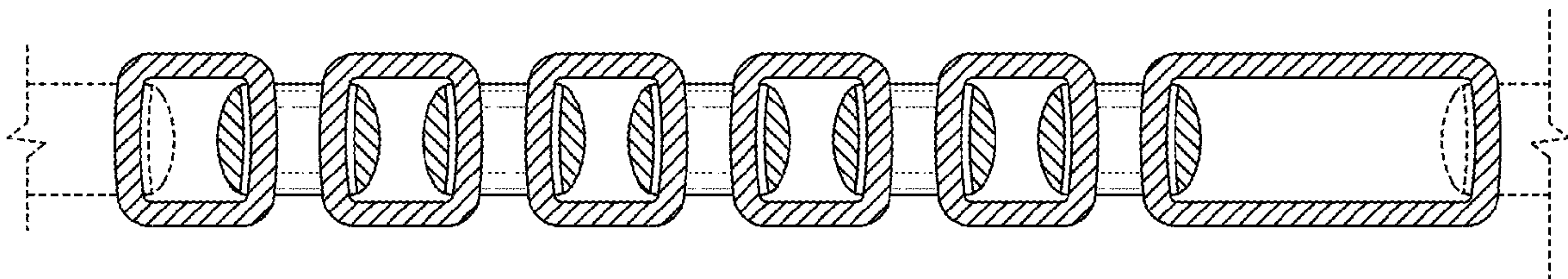


FIG. 49

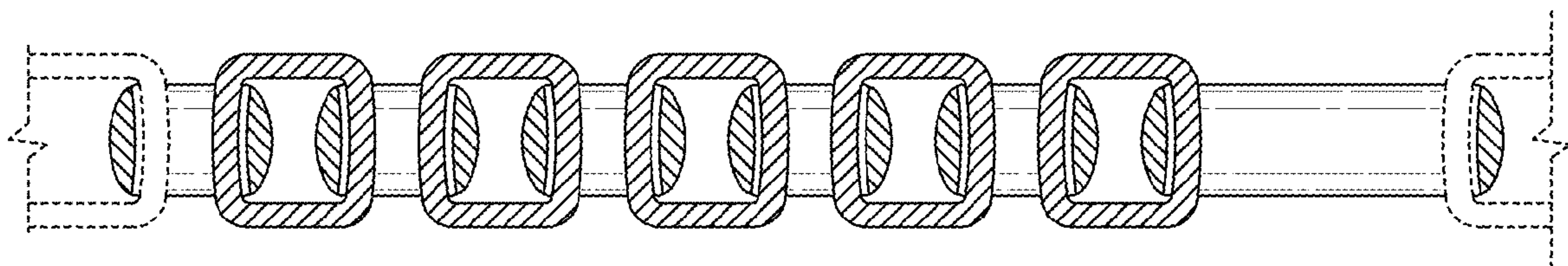


FIG. 50