



US00D886660S

(12) **United States Design Patent**  
**Cipolla**

(10) **Patent No.:** **US D886,660 S**

(45) **Date of Patent:** **\*\* Jun. 9, 2020**

(54) **WEARABLE CHAIN**

(71) Applicant: **Steven A. Cipolla**, Warwick, RI (US)

(72) Inventor: **Steven A. Cipolla**, Warwick, RI (US)

(73) Assignee: **National Chain Company**, Warwick, RI (US)

(\*\*) Term: **15 Years**

(21) Appl. No.: **29/658,052**

(22) Filed: **Jul. 27, 2018**

(51) **LOC (12) Cl.** ..... **11-01**

(52) **U.S. Cl.**  
USPC ..... **D11/93**

(58) **Field of Classification Search**  
USPC ..... D11/1-25, 32, 93, 94  
CPC .. A44C 5/00; A44C 5/02; A44C 5/027; A44C  
11/00; A44C 11/002; F16G 13/14; F16G  
13/16  
See application file for complete search history.

(56) **References Cited**

**U.S. PATENT DOCUMENTS**

2,291,089 A \* 7/1942 Okun ..... A44B 15/00  
24/3.13  
3,382,589 A \* 5/1968 Dowling ..... A44C 5/027  
434/246

D261,119 S \* 10/1981 Barr ..... D11/12  
D340,662 S 10/1993 Cipolla  
D340,663 S 10/1993 Cipolla  
D703,577 S 4/2014 Cipolla  
8,931,251 B1 1/2015 Cipolla  
D778,767 S \* 2/2017 Nicolas ..... D11/93  
9,863,499 B2 \* 1/2018 Choynet ..... B63B 21/20

\* cited by examiner

*Primary Examiner* — Zenia I Bennett

(74) *Attorney, Agent, or Firm* — Salter & Michaelson

(57) **CLAIM**

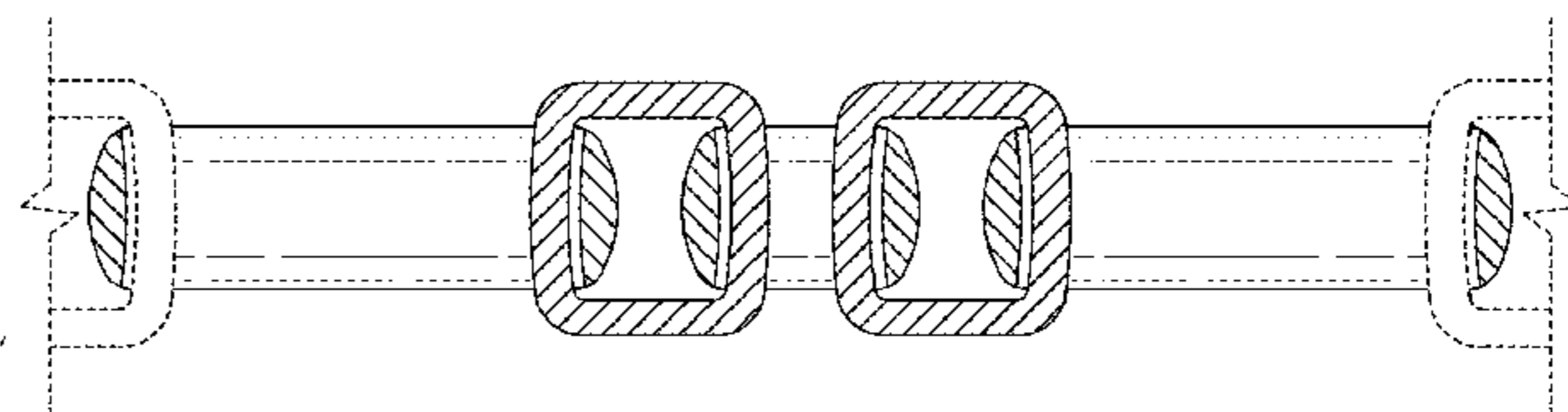
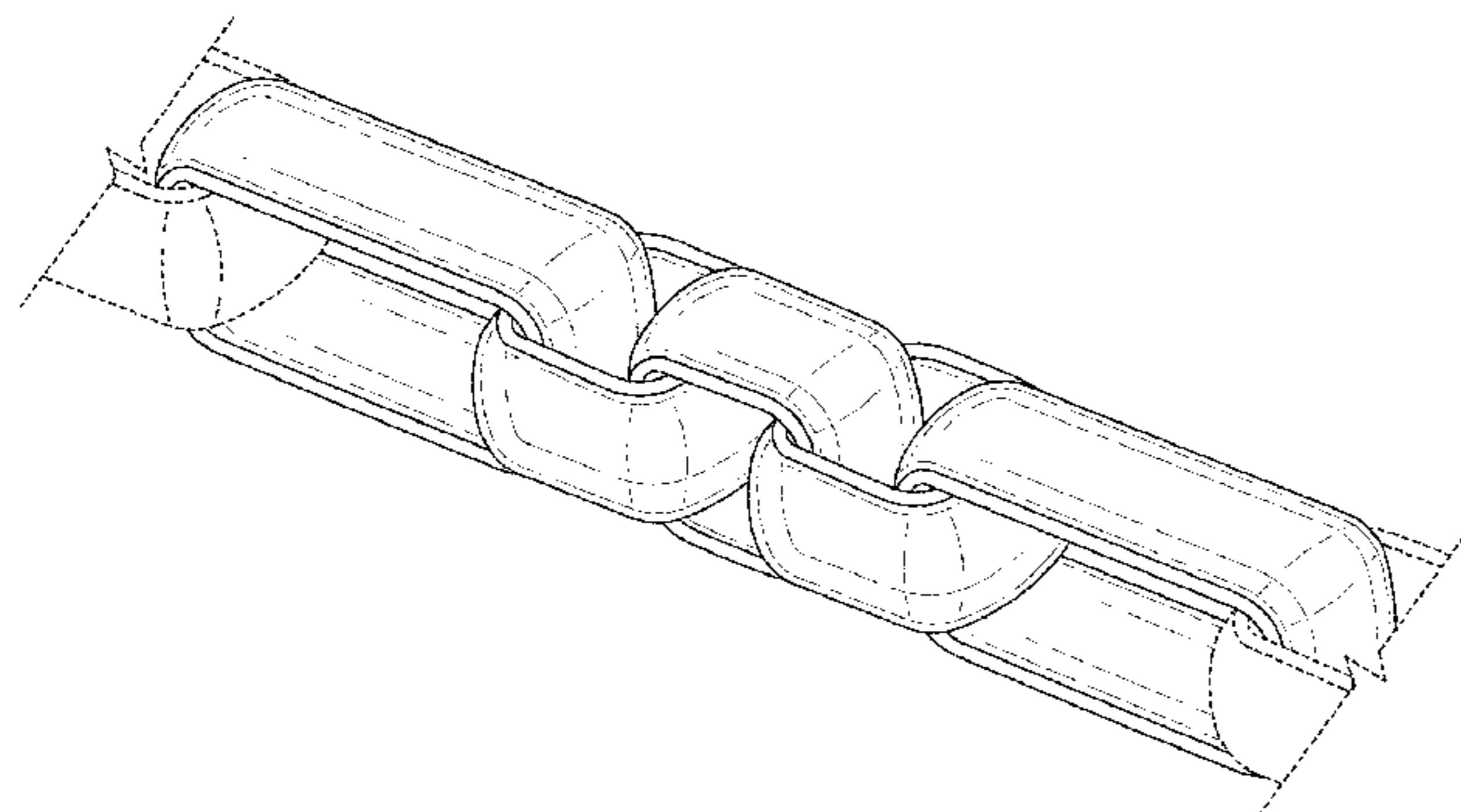
The ornamental design for a wearable chain, as shown and described.

**DESCRIPTION**

FIG. 1 is a top plan view of a wearable chain and including an enlarged partial top view showing five links;  
FIG. 2 is a top plan view thereof;  
FIG. 3 is a bottom plan view thereof;  
FIG. 4 is a front elevational view thereof;  
FIG. 5 is a rear elevational view thereof;  
FIG. 6 is a left side elevational view thereof;  
FIG. 7 is a right side elevational view thereof;  
FIG. 8 is a top perspective view thereof; and,  
FIG. 9 is a cross-sectional view taken along line 9-9 of FIG. 2.

The broken lines shown in the drawing views represent portions of the wearable chain which for no part of the claimed design.

**1 Claim, 4 Drawing Sheets**



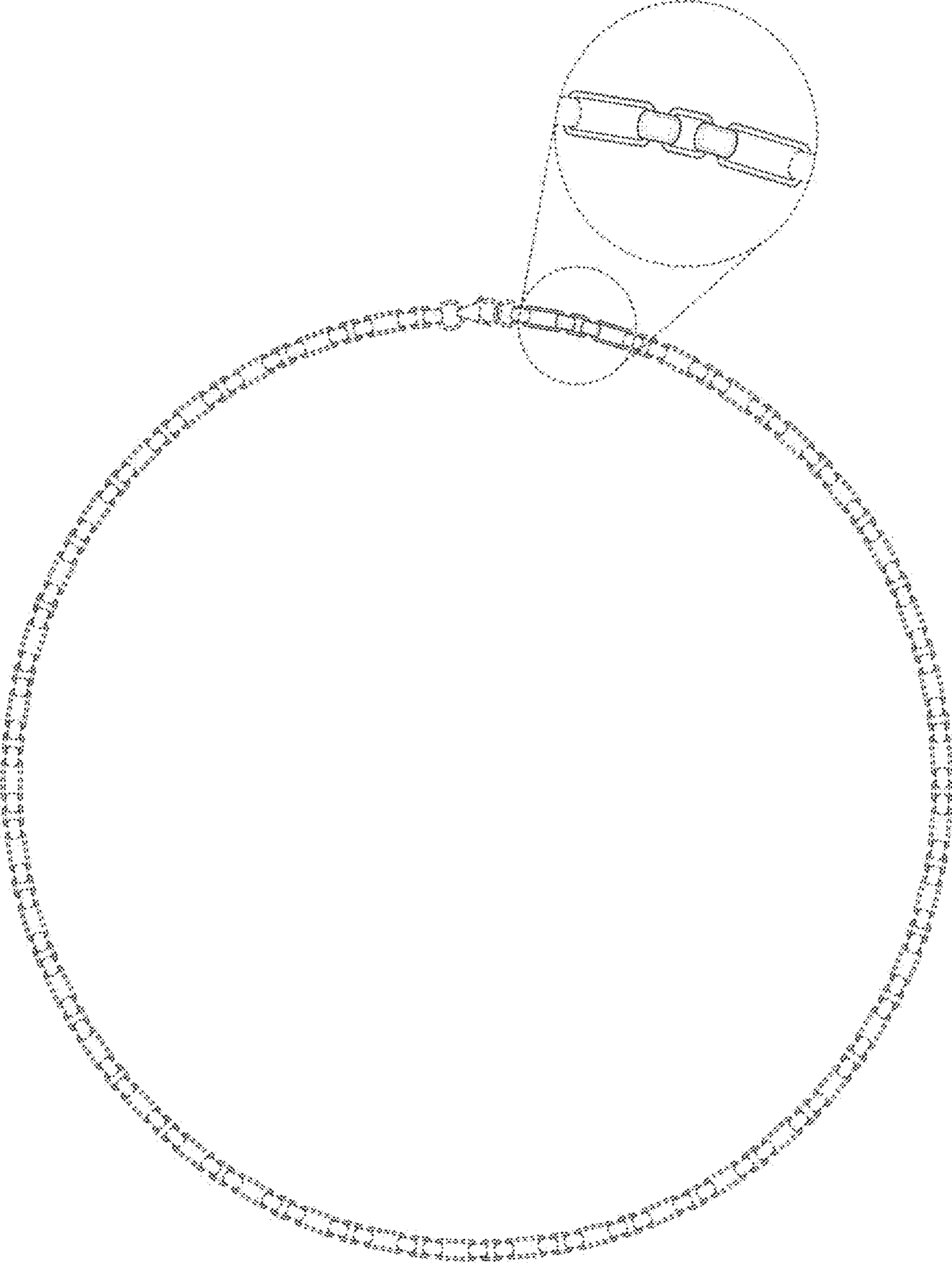


FIG. 1

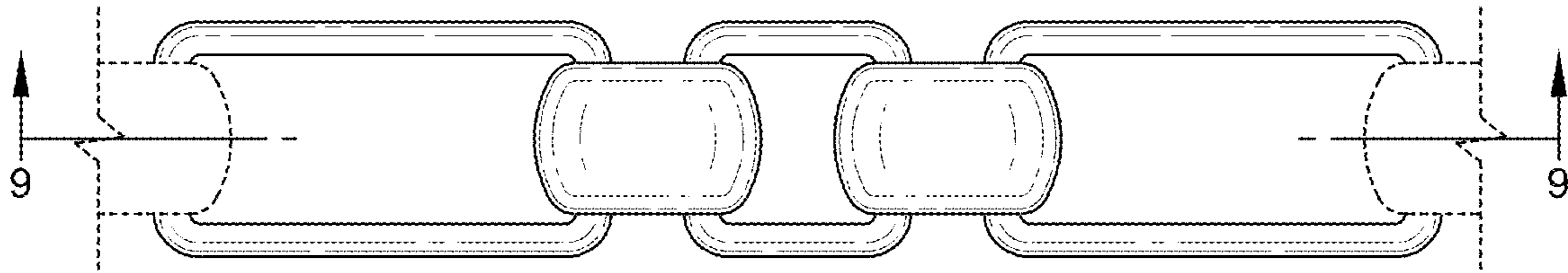


FIG. 2

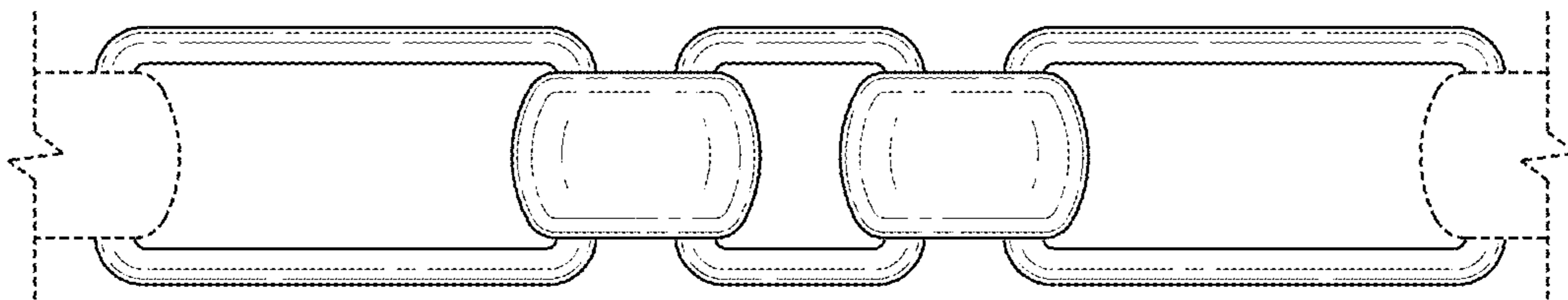


FIG. 3

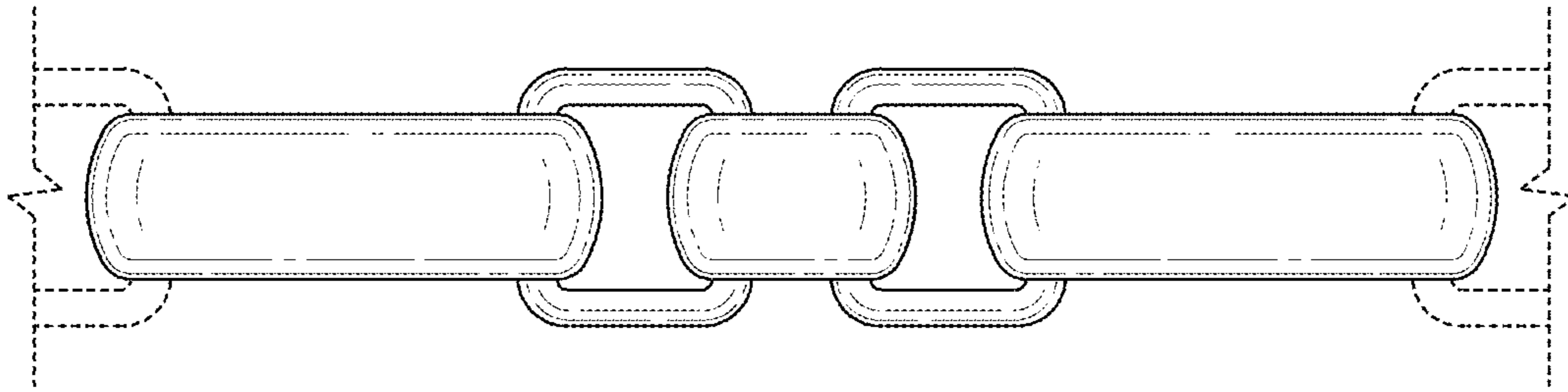


FIG. 4

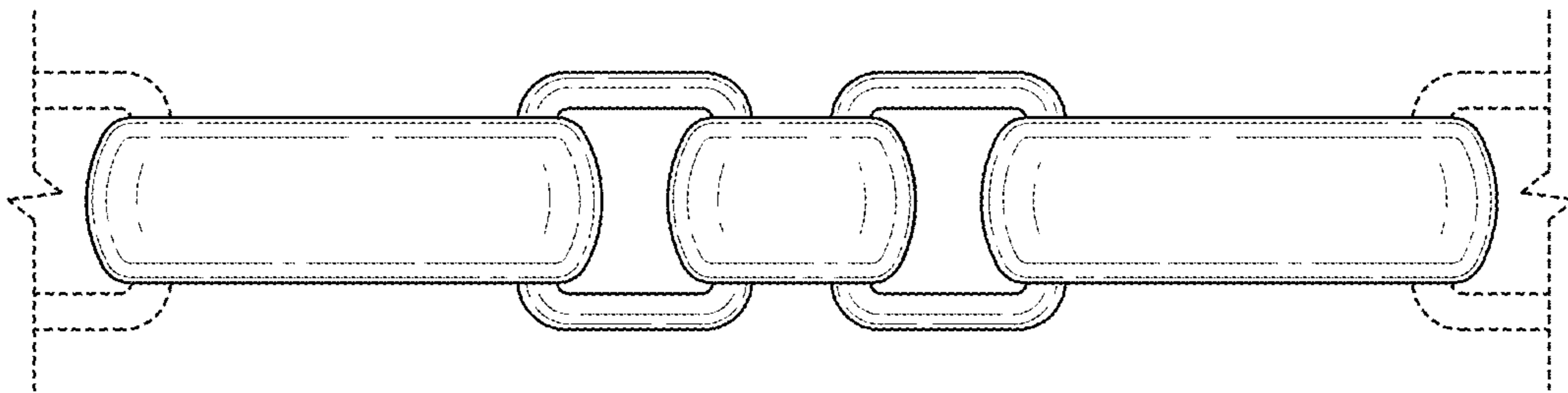


FIG. 5

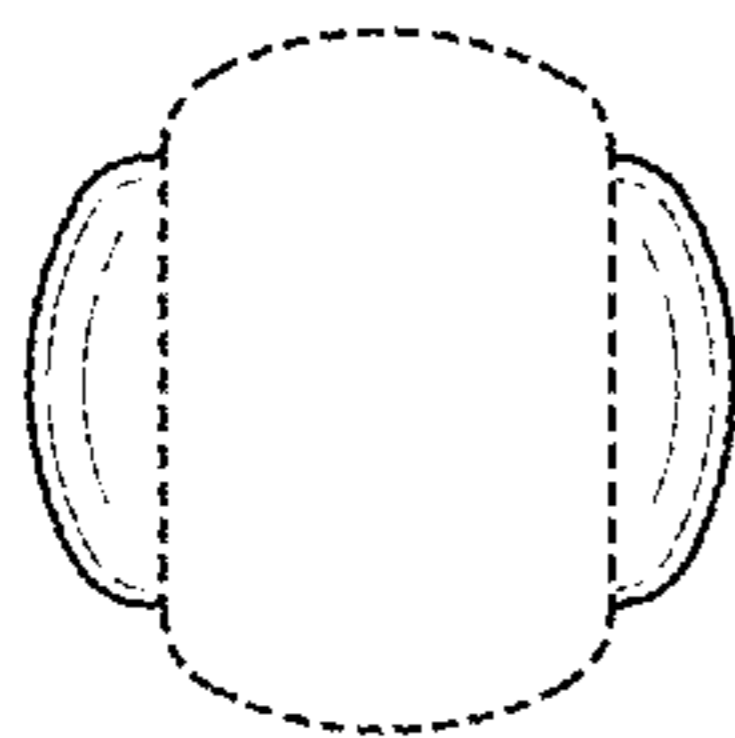


FIG. 6

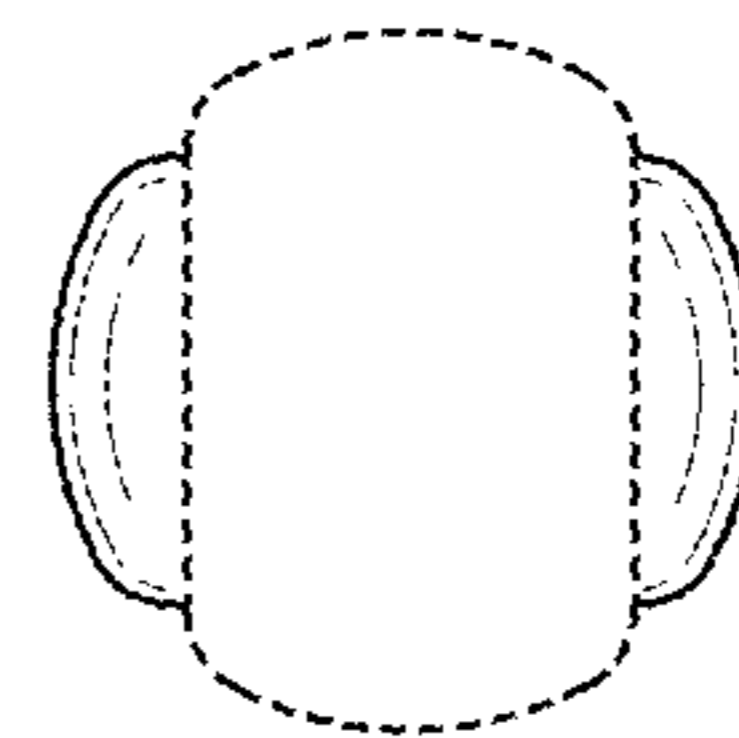


FIG. 7

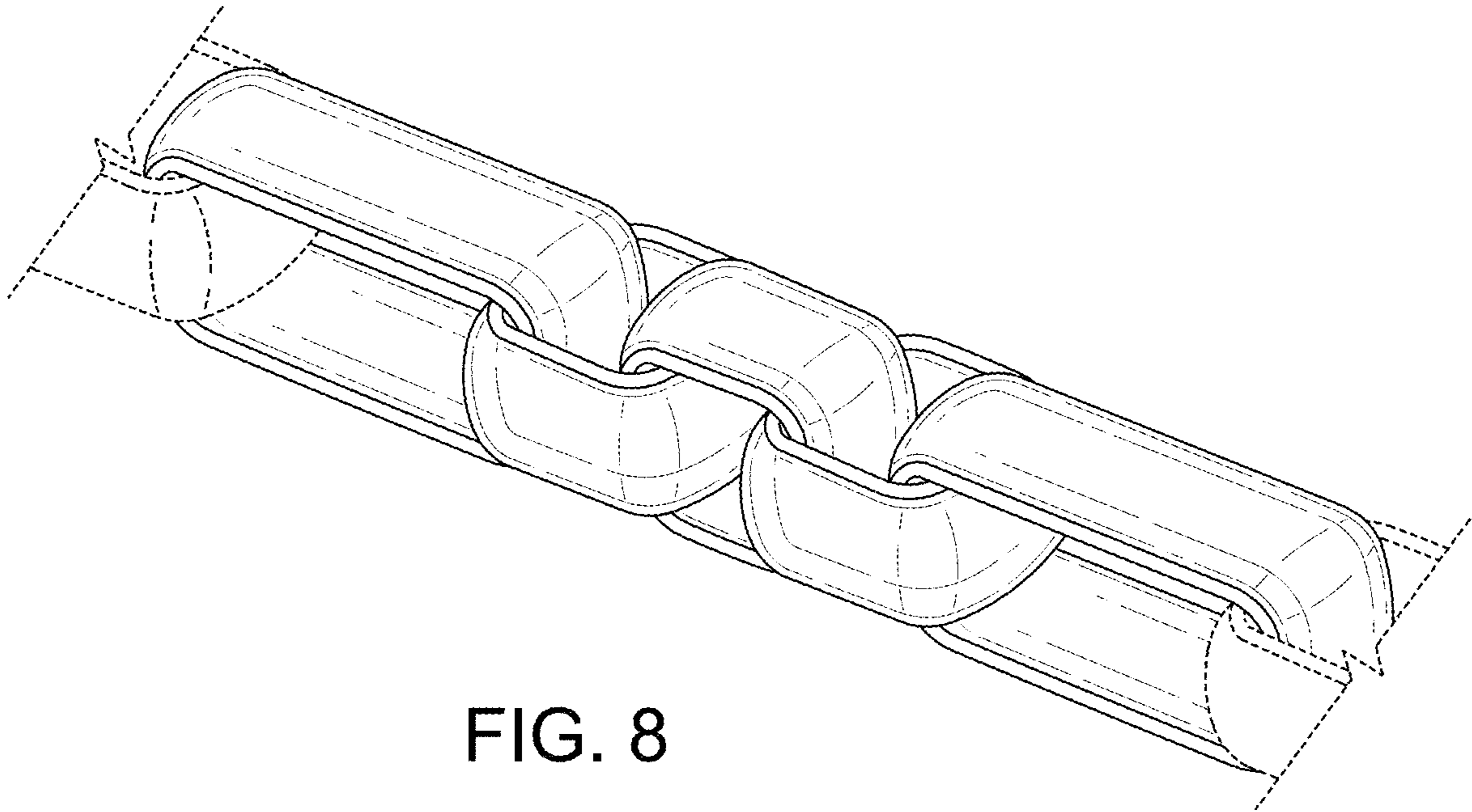


FIG. 8

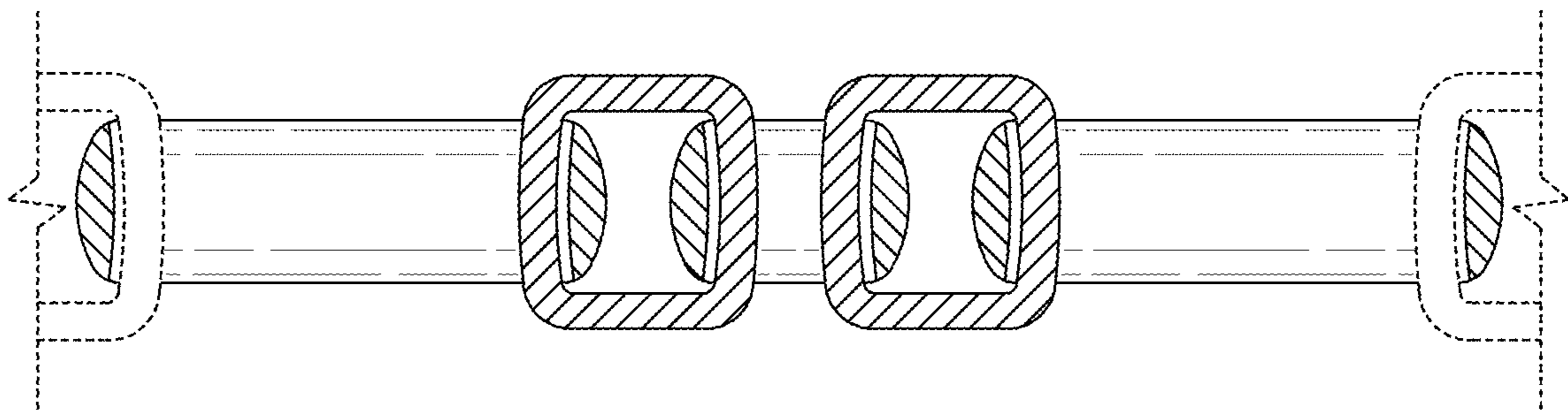


FIG. 9