



US00D886655S

(12) **United States Design Patent**
Machijima et al.

(10) **Patent No.:** **US D886,655 S**
(45) **Date of Patent:** **** Jun. 9, 2020**

- (54) **SENSOR MOUNT ASSEMBLY**
- (71) Applicant: **SMC CORPORATION**, Tokyo (JP)
- (72) Inventors: **Mitsuru Machijima**, Matsudo (JP);
Shiori Iwatsuki, Saitama (JP); **Kenta Onuki**, Tsukuba (JP)
- (73) Assignee: **SMC CORPORATION**, Tokyo (JP)
- (**) Term: **15 Years**
- (21) Appl. No.: **29/685,243**
- (22) Filed: **Mar. 27, 2019**
- (30) **Foreign Application Priority Data**
Oct. 31, 2018 (CN) 2018 3 0613094
- (51) **LOC (12) Cl.** **10-04**
- (52) **U.S. Cl.**
USPC **D10/103; D8/354; D8/396**
- (58) **Field of Classification Search**
USPC D8/73, 349, 378, 382, 383, 394, 396;
D10/74, 103; D15/141
CPC F16B 2/00; F16B 2/005; F16B 2/02; F16B
2/04; F16B 2/06; F16B 2/065; F16B
2/08; F16B 2/10; F16B 2/12; F16B 2/14;
F16B

(Continued)

- (56) **References Cited**
U.S. PATENT DOCUMENTS
D427,052 S 6/2000 Nagato
9,494,176 B2 * 11/2016 Klingler F16B 2/185

(Continued)

- FOREIGN PATENT DOCUMENTS**
CN 303610735 S 3/2016
CN 304190574 S 6/2017

(Continued)

Primary Examiner — Antoine D Davis
(74) *Attorney, Agent, or Firm* — Birch, Stewart, Kolasch & Birch, LLP

(57) **CLAIM**

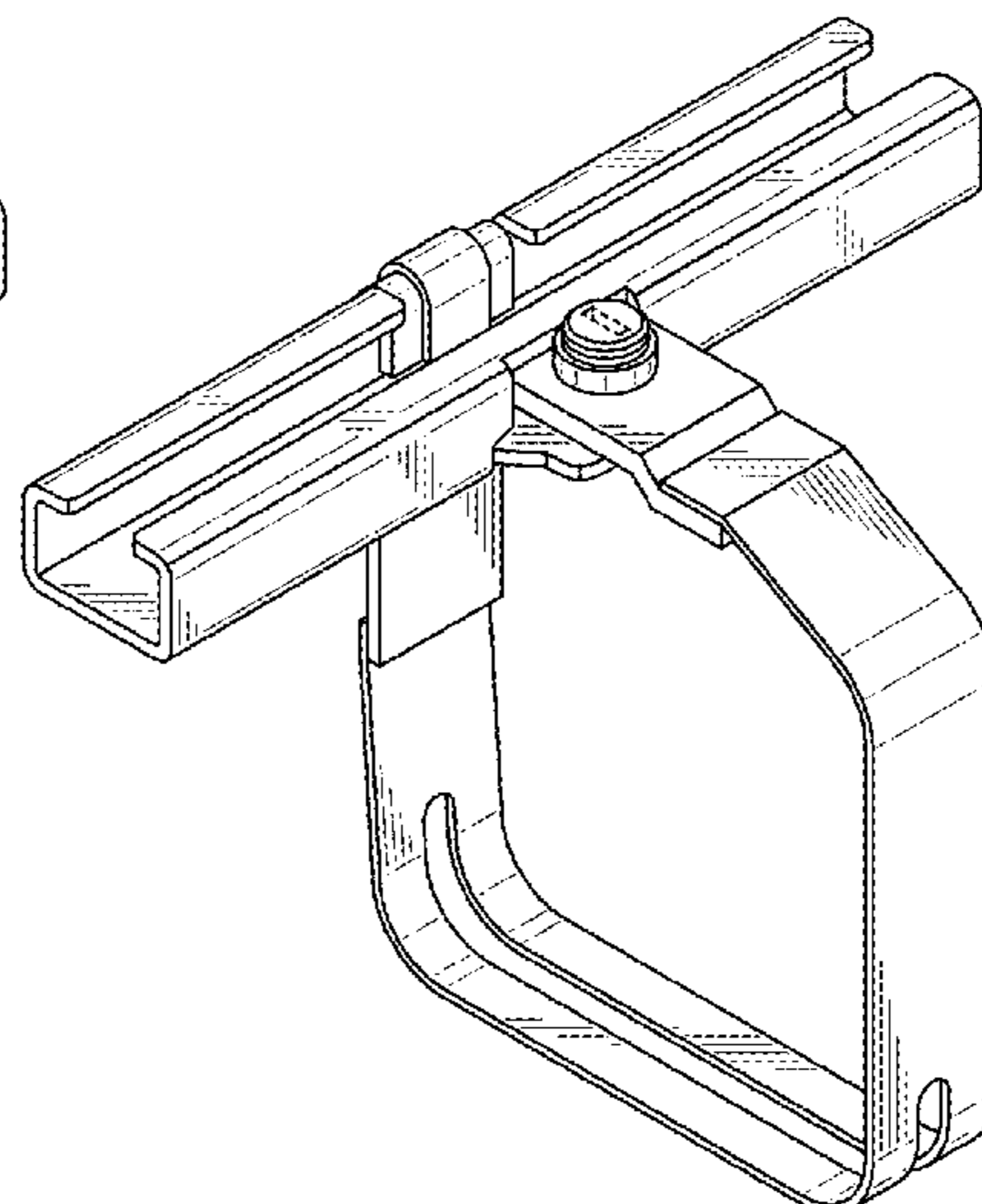
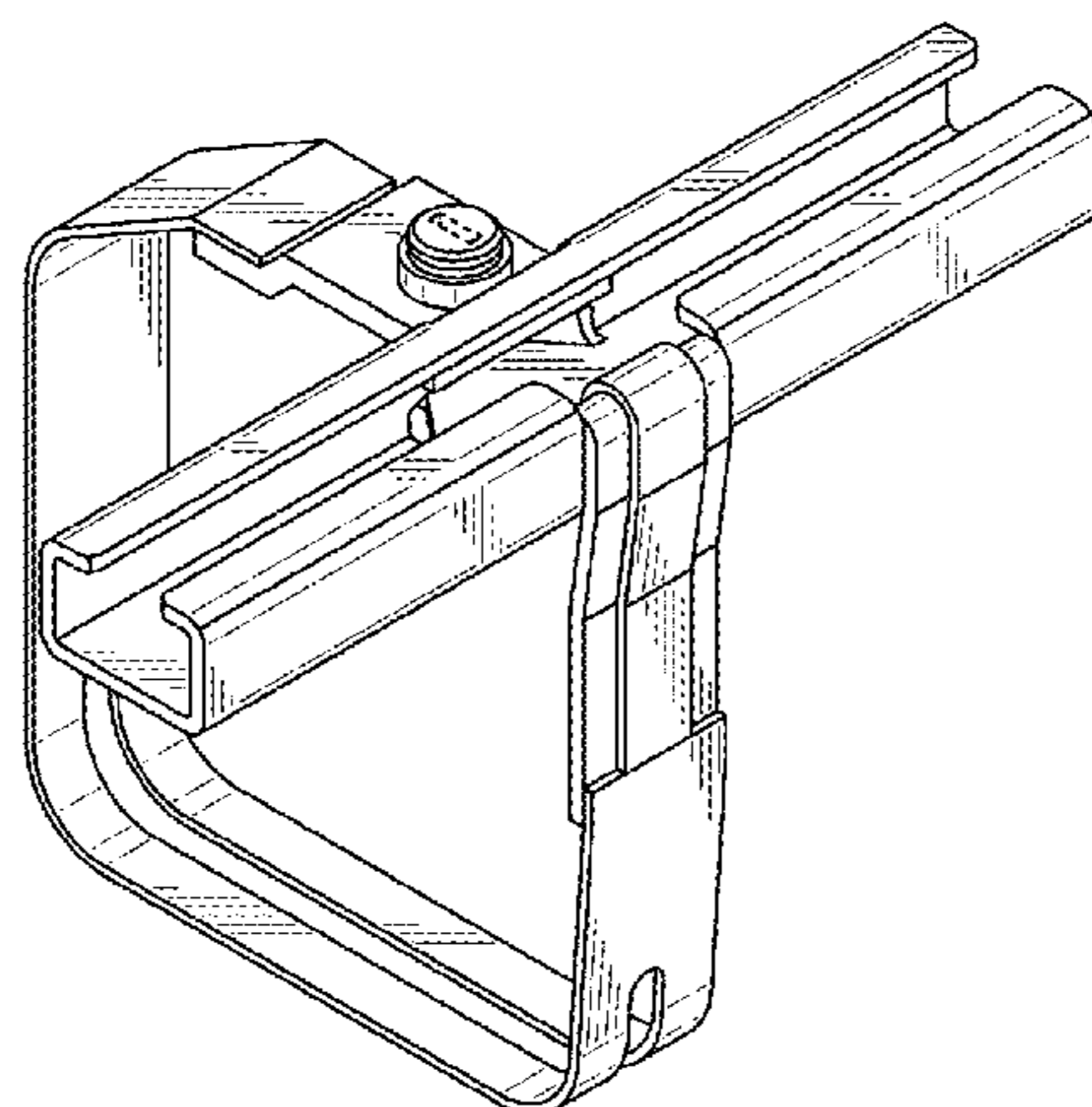
The ornamental design for a sensor mount assembly, as shown and described.

DESCRIPTION

FIG. 1 is a front, top and right side perspective view of a sensor mount assembly showing a first embodiment of our new design;
 FIG. 2 is a rear, top and left side perspective view thereof;
 FIG. 3 is a front, bottom and left side perspective view thereof;
 FIG. 4 is a rear, bottom and right side perspective view thereof;
 FIG. 5 is a front view thereof;
 FIG. 6 is a rear view thereof;
 FIG. 7 is a top plan view thereof;
 FIG. 8 is a bottom plan view thereof;
 FIG. 9 is a left side view thereof;
 FIG. 10 is a right side view thereof;
 FIG. 11 is a front, top and right side perspective view of a sensor mount assembly showing a second embodiment of our new design;
 FIG. 12 is a rear, top and left side perspective view of FIG. 11;
 FIG. 13 is a front, bottom and left side perspective view of FIG. 11;
 FIG. 14 is a rear, bottom and right side perspective view of FIG. 11;
 FIG. 15 is a front view of FIG. 11;
 FIG. 16 is a rear view of FIG. 11;
 FIG. 17 is a top plan view of FIG. 11;
 FIG. 18 is a bottom plan view of FIG. 11;
 FIG. 19 is a left side view of FIG. 11; and,
 FIG. 20 is a right side view of FIG. 11.

The broken lines depict portions of the sensor mount assembly that form no part of the claimed design.

1 Claim, 20 Drawing Sheets



(58) **Field of Classification Search**

CPC .. 2/16; F16B 2/18; F16B 2/185; G01D 5/145;
G01D 11/30; F15B 15/2807; F15B
15/2892; F15B 15/2815; F15B 15/28
See application file for complete search history.

(56) **References Cited**

U.S. PATENT DOCUMENTS

9,512,714 B2 * 12/2016 Sobolewski E21B 47/01
9,624,951 B2 * 4/2017 Wu F16B 2/22
2018/0283417 A1 * 10/2018 Takakuwa F15B 15/2861

FOREIGN PATENT DOCUMENTS

JP 1559345 S 9/2016
JP 1559671 S 9/2016

* cited by examiner

FIG. 1

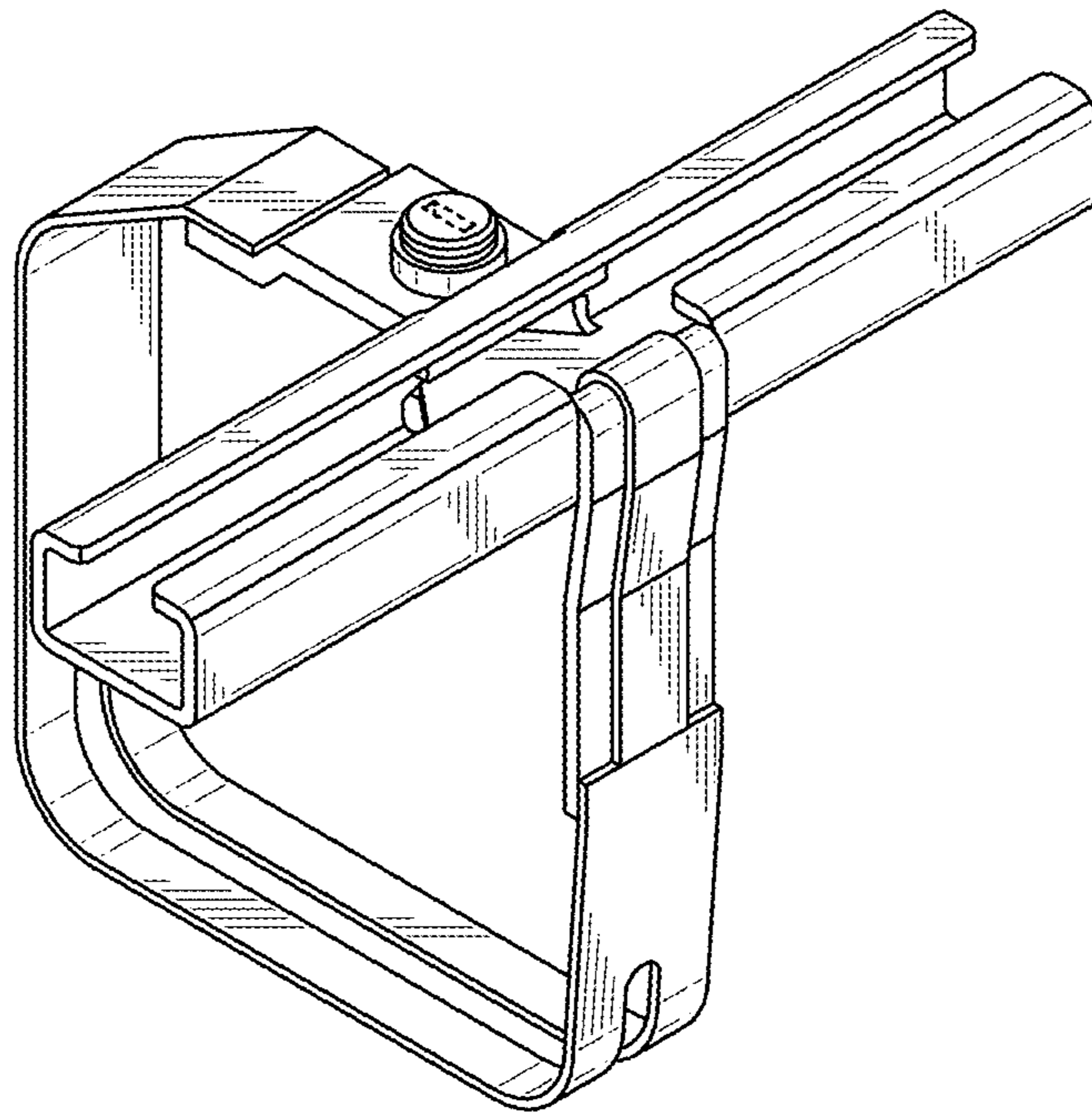


FIG. 2

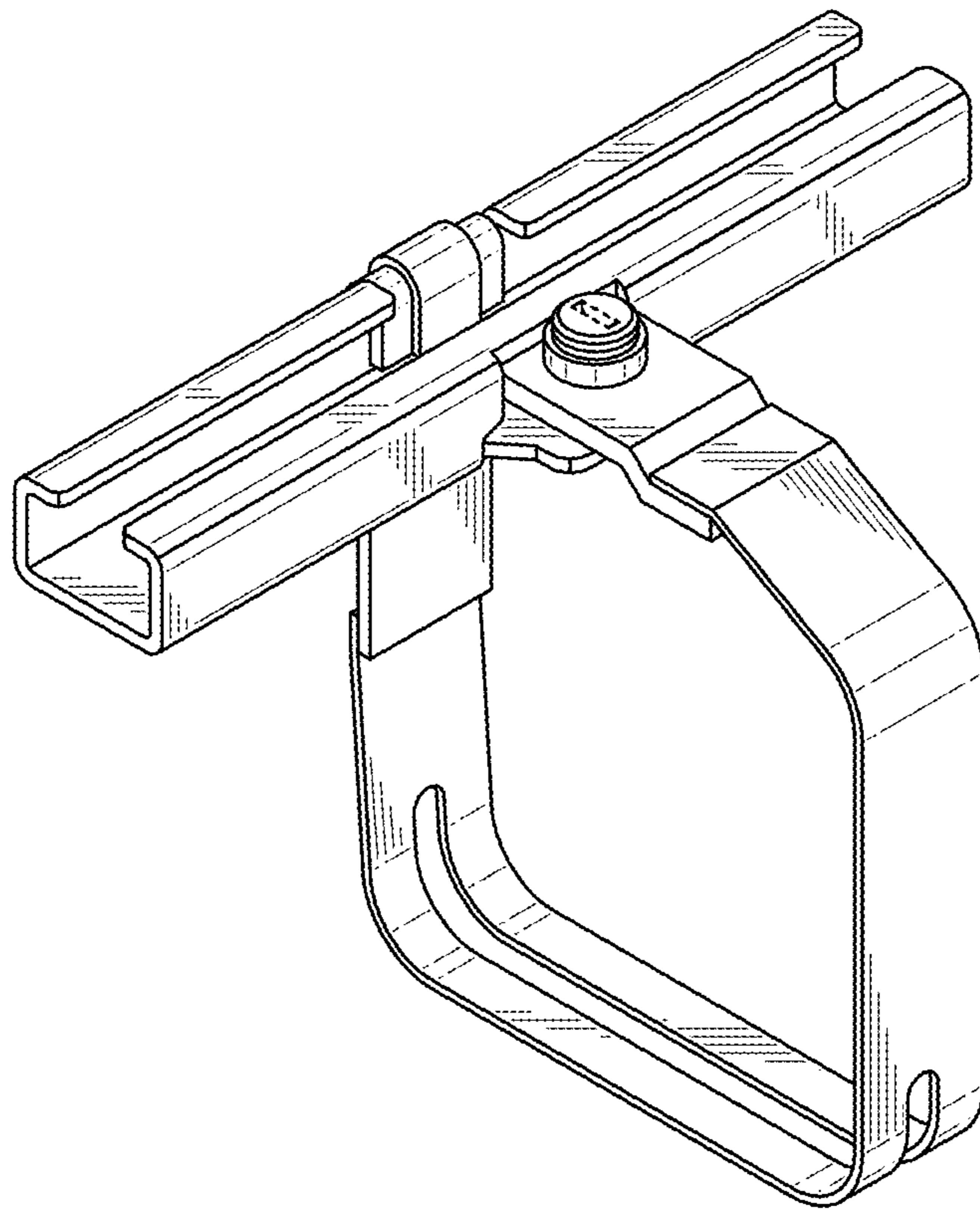


FIG. 3

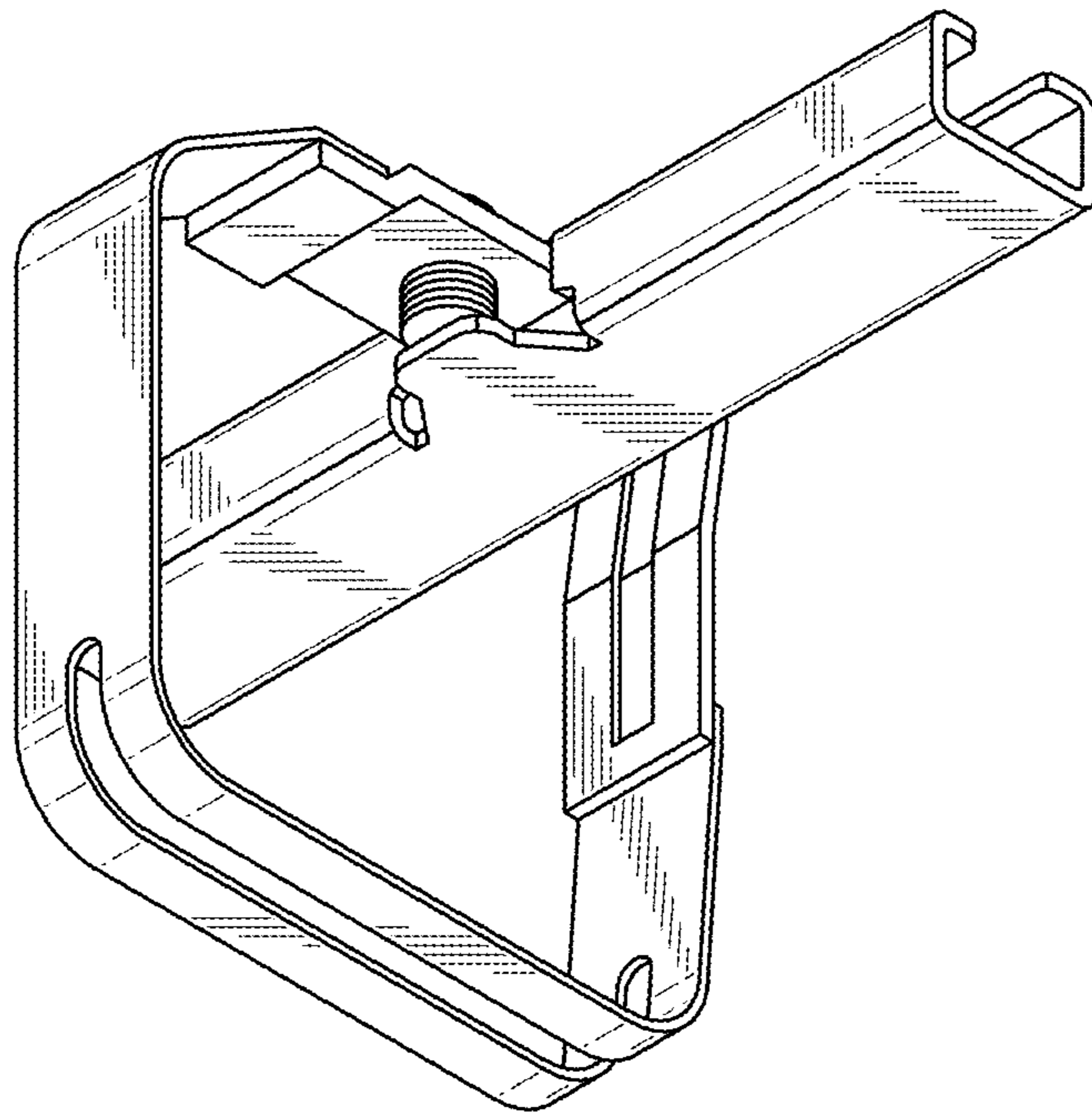


FIG. 4

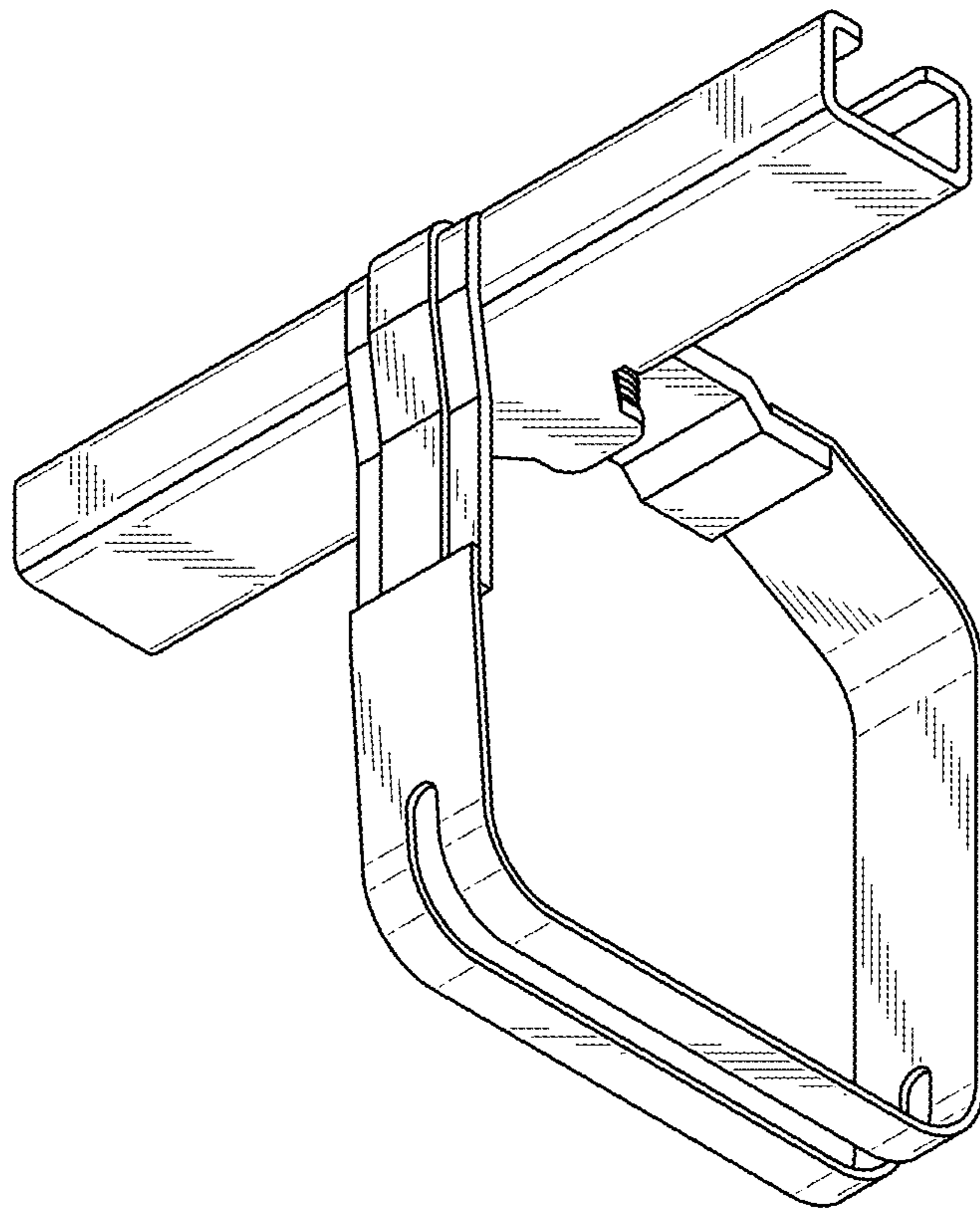


FIG. 5

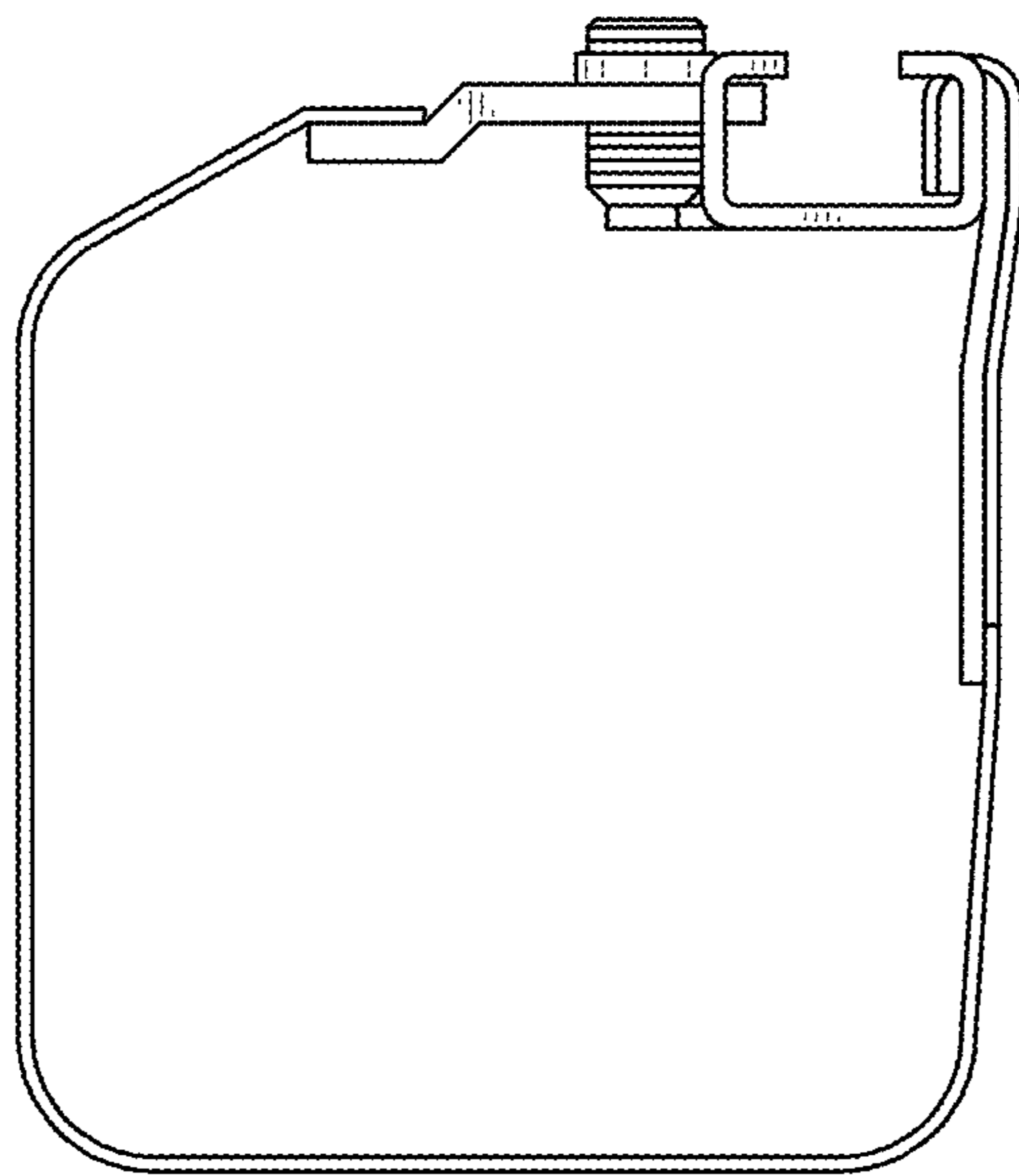


FIG. 6

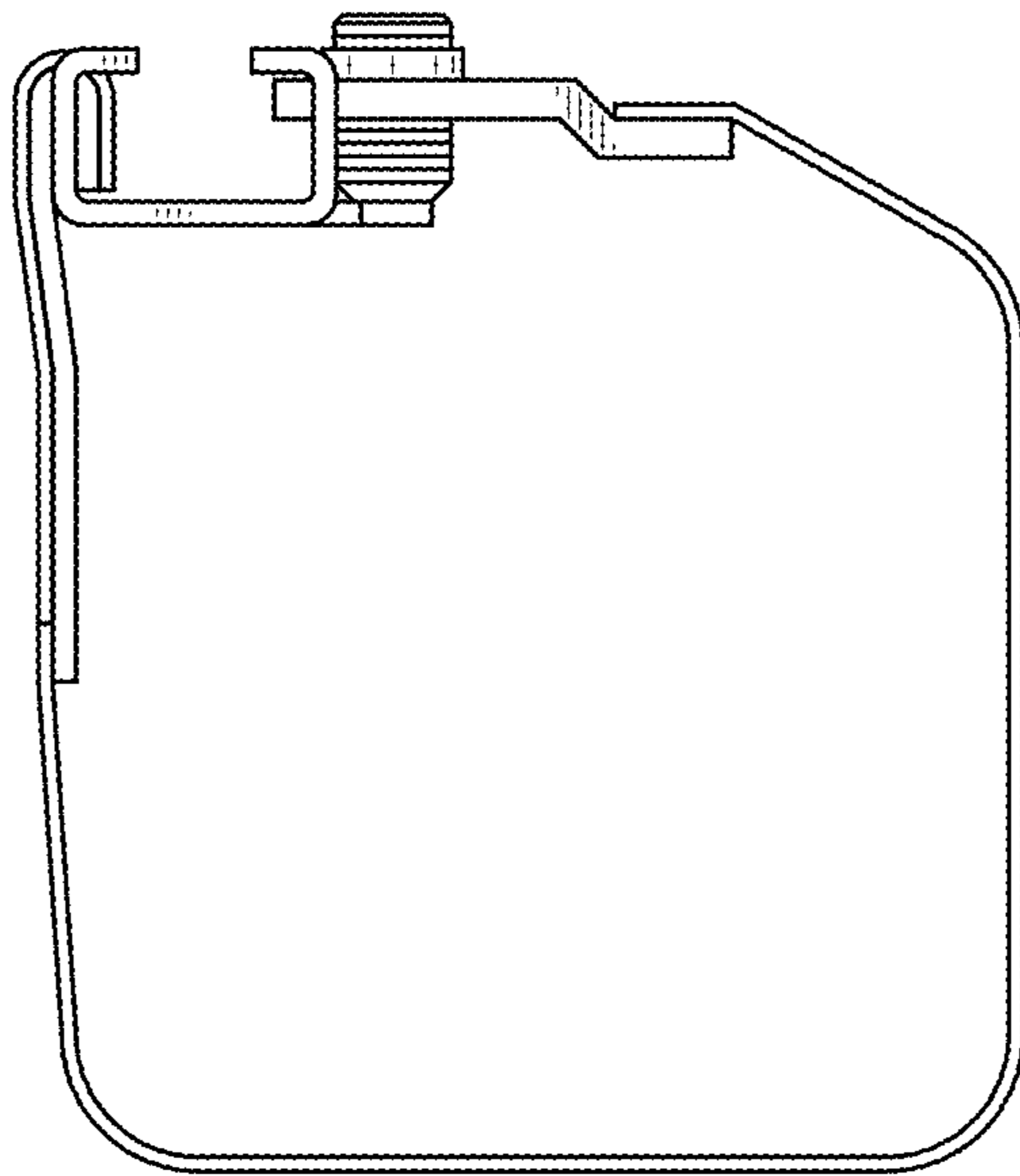


FIG. 7

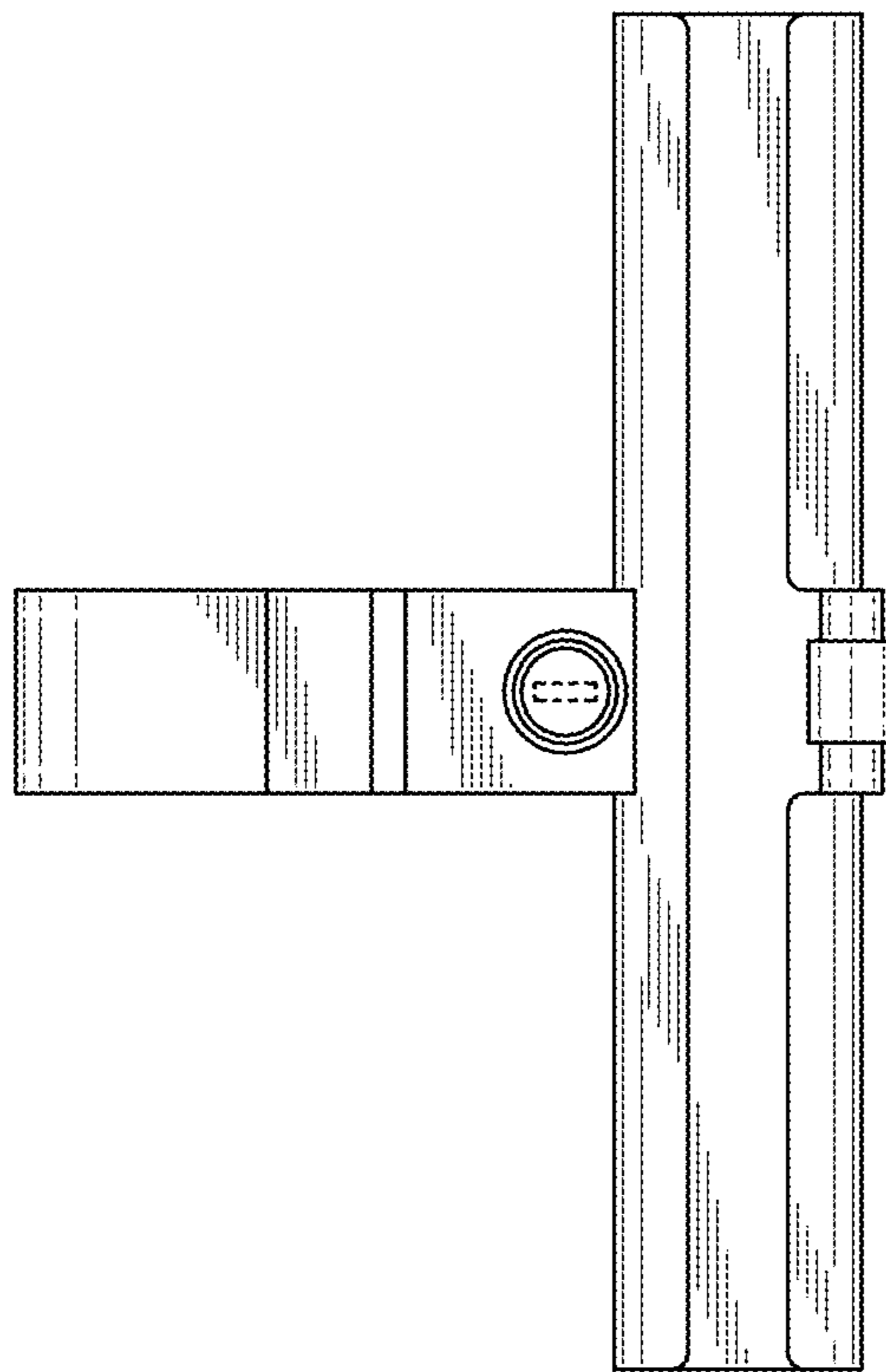


FIG. 8

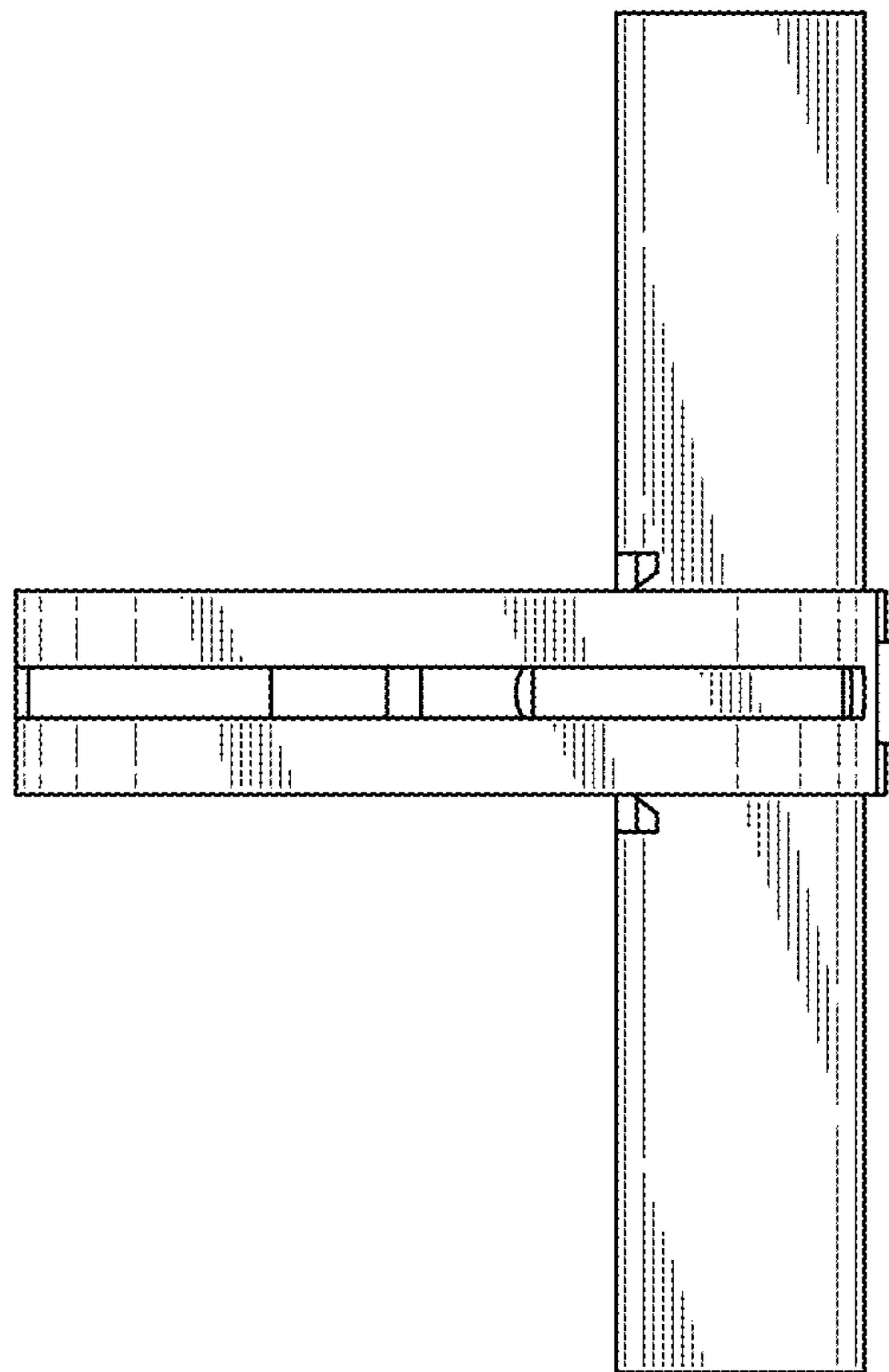


FIG. 9

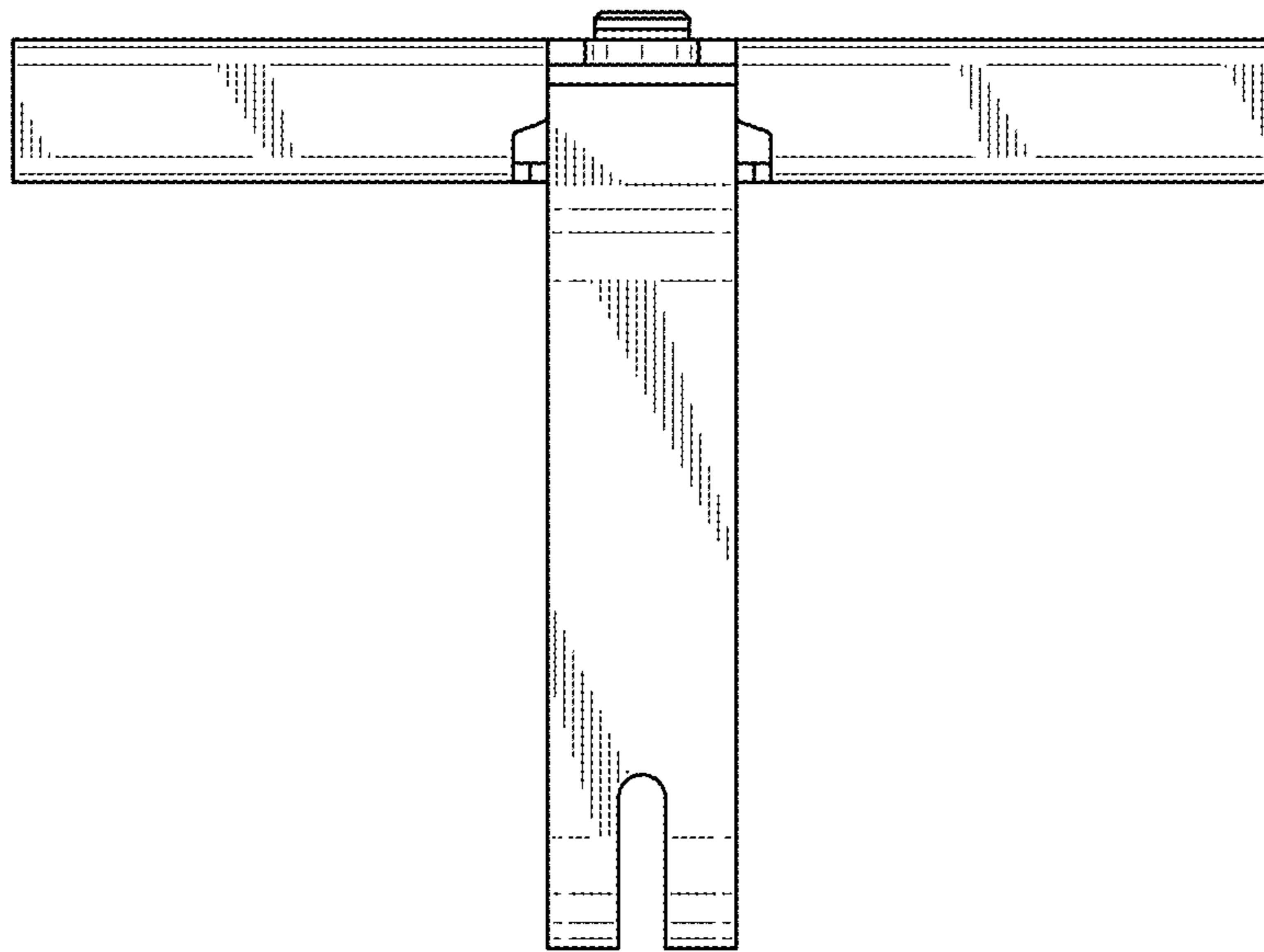


FIG. 10

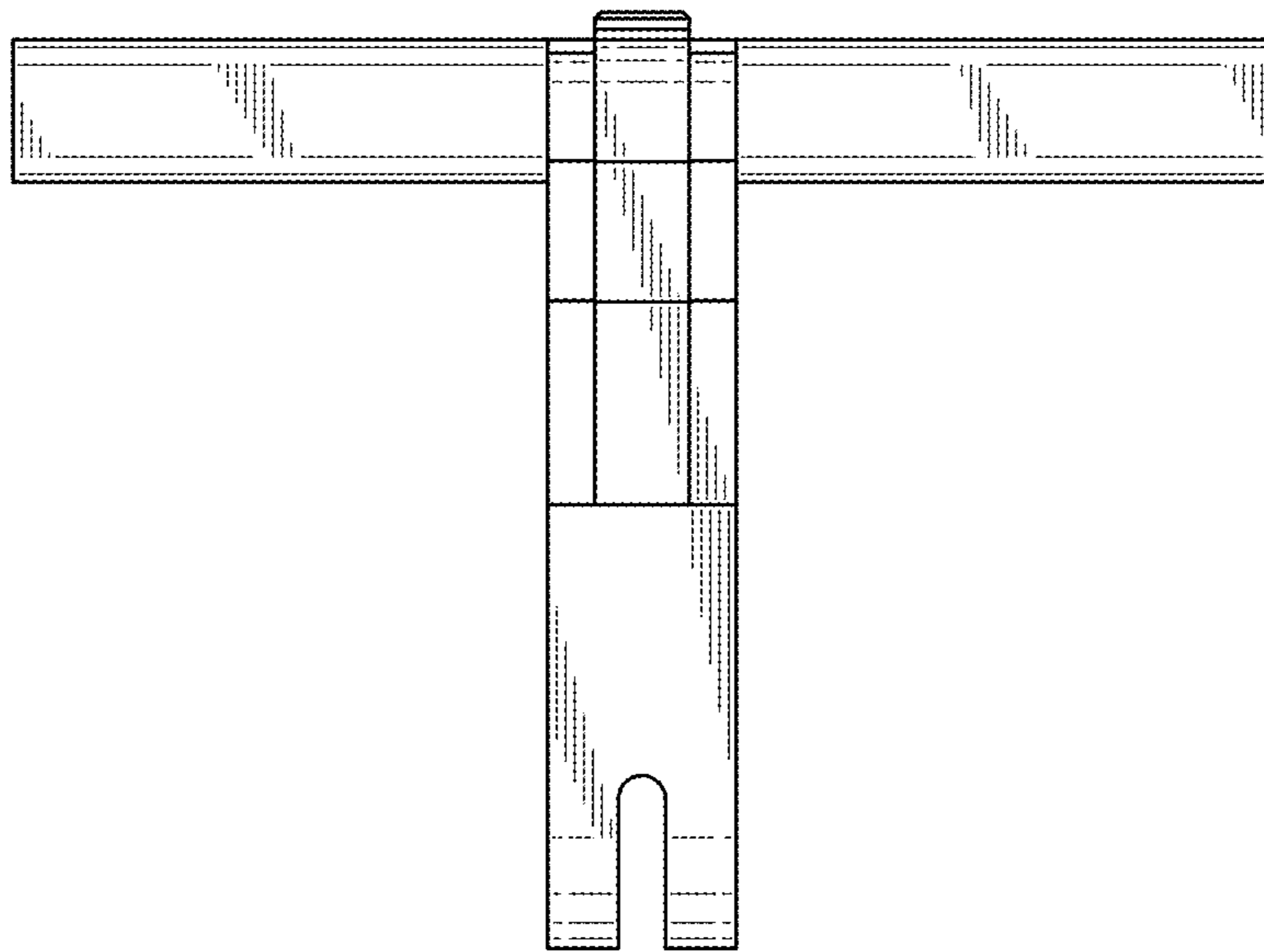


FIG. 11

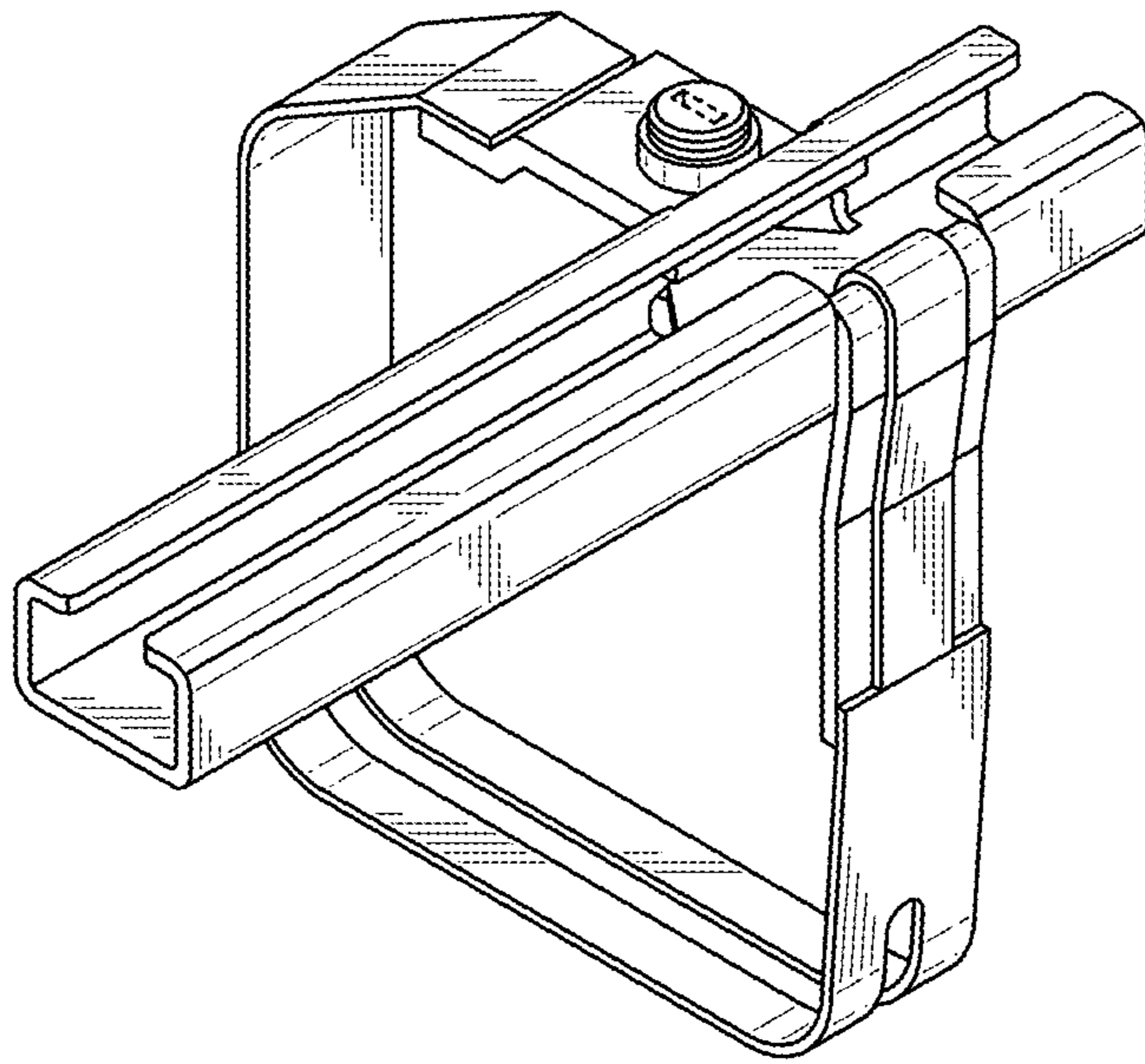


FIG. 12

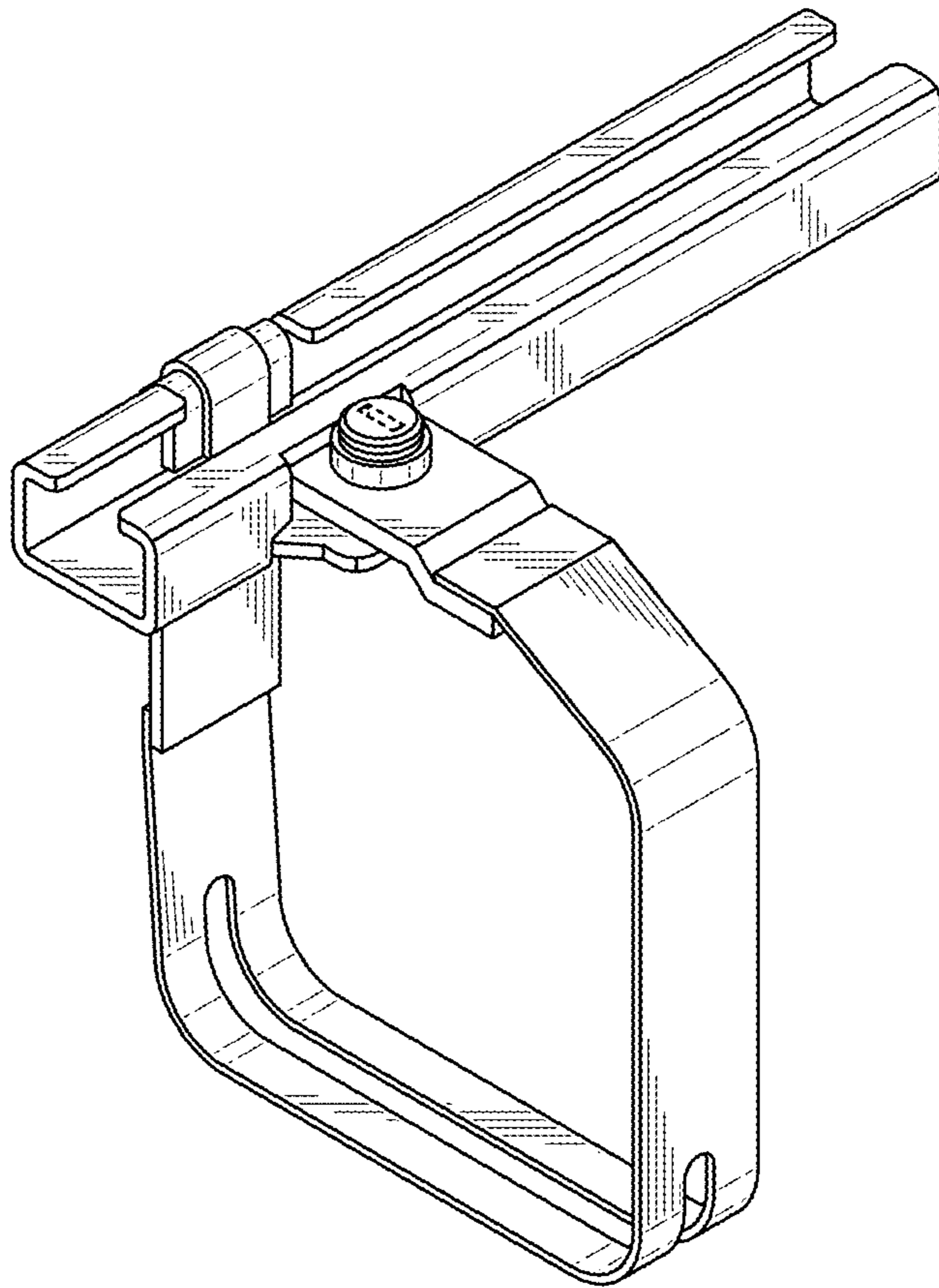


FIG. 13

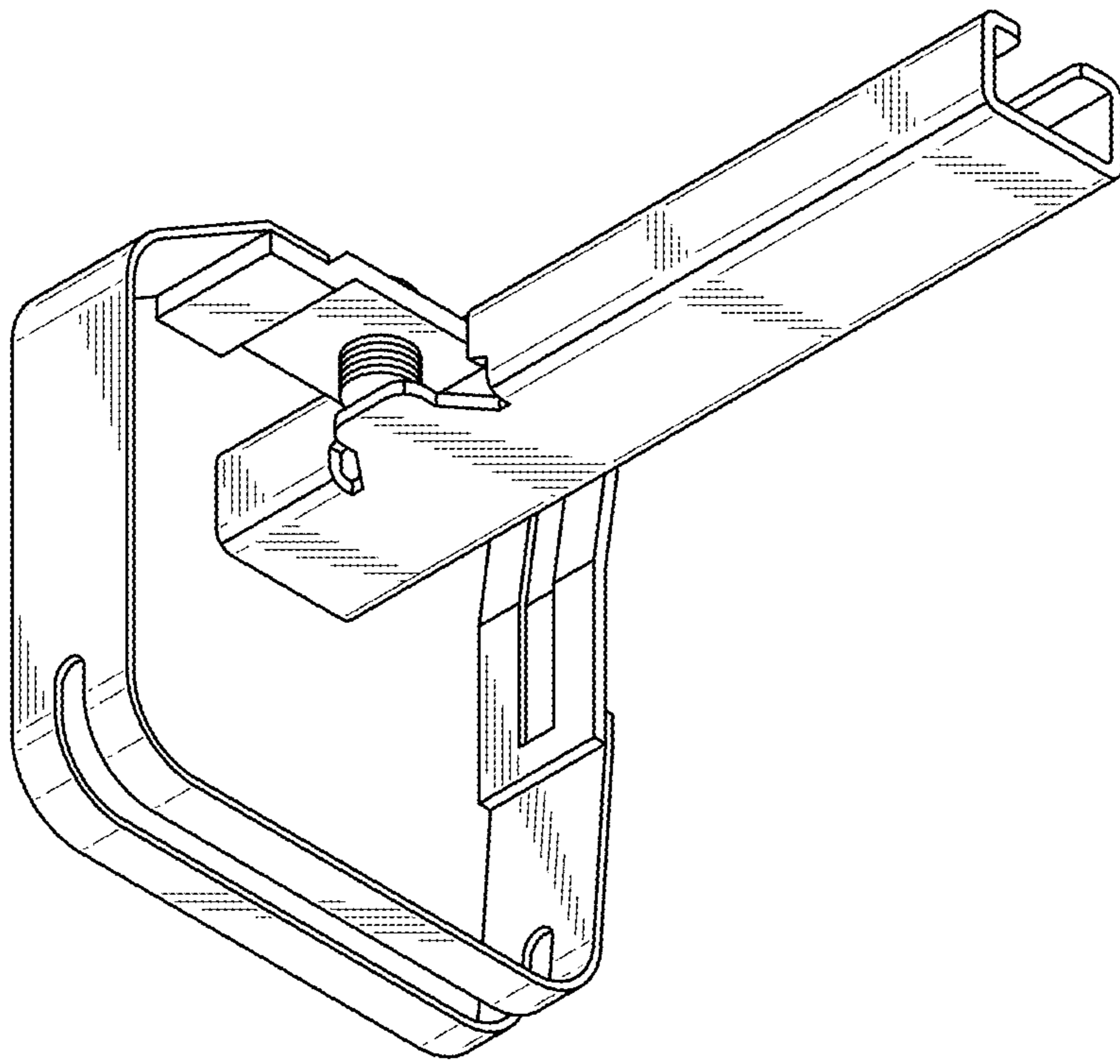


FIG. 14

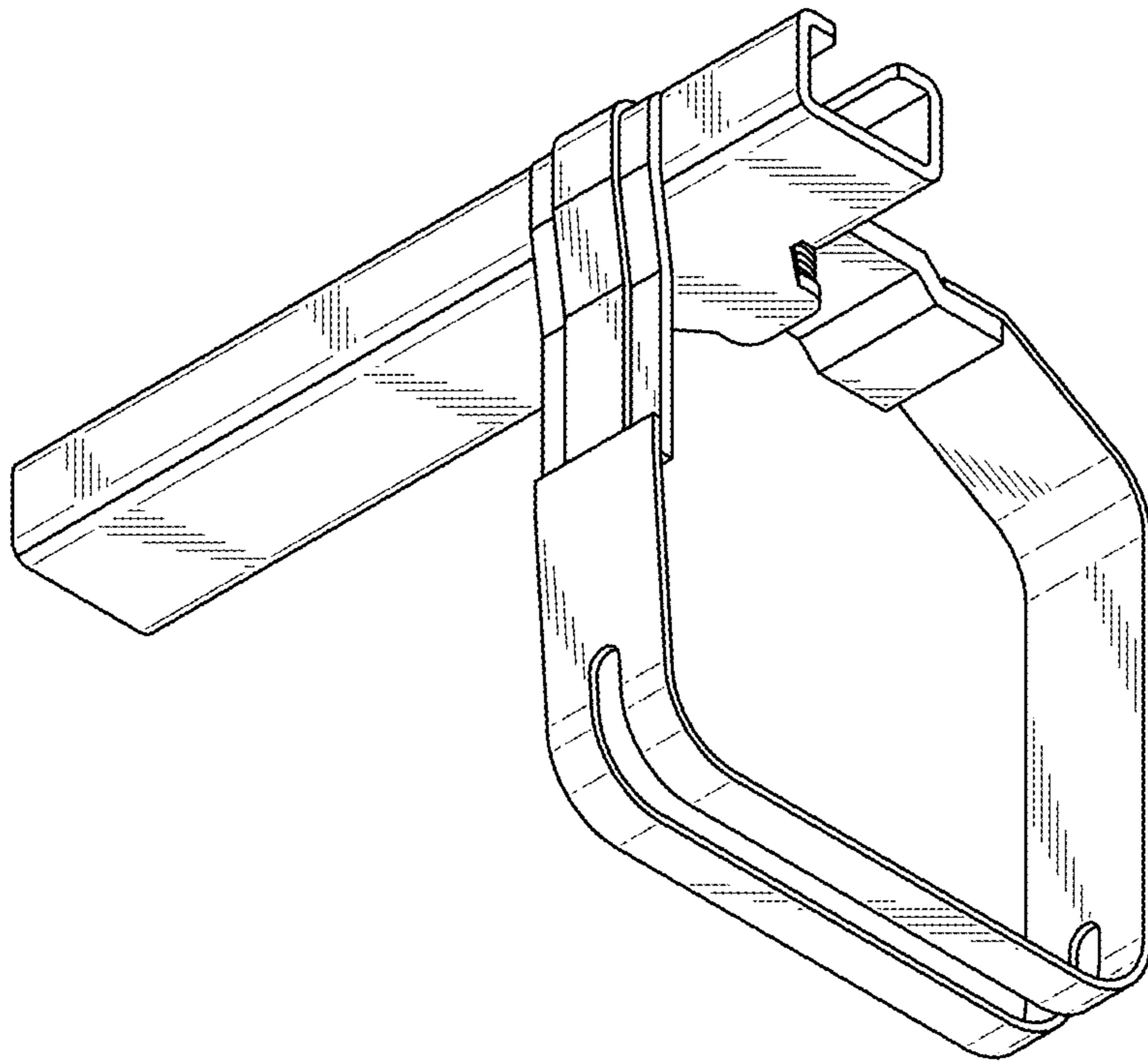


FIG. 15

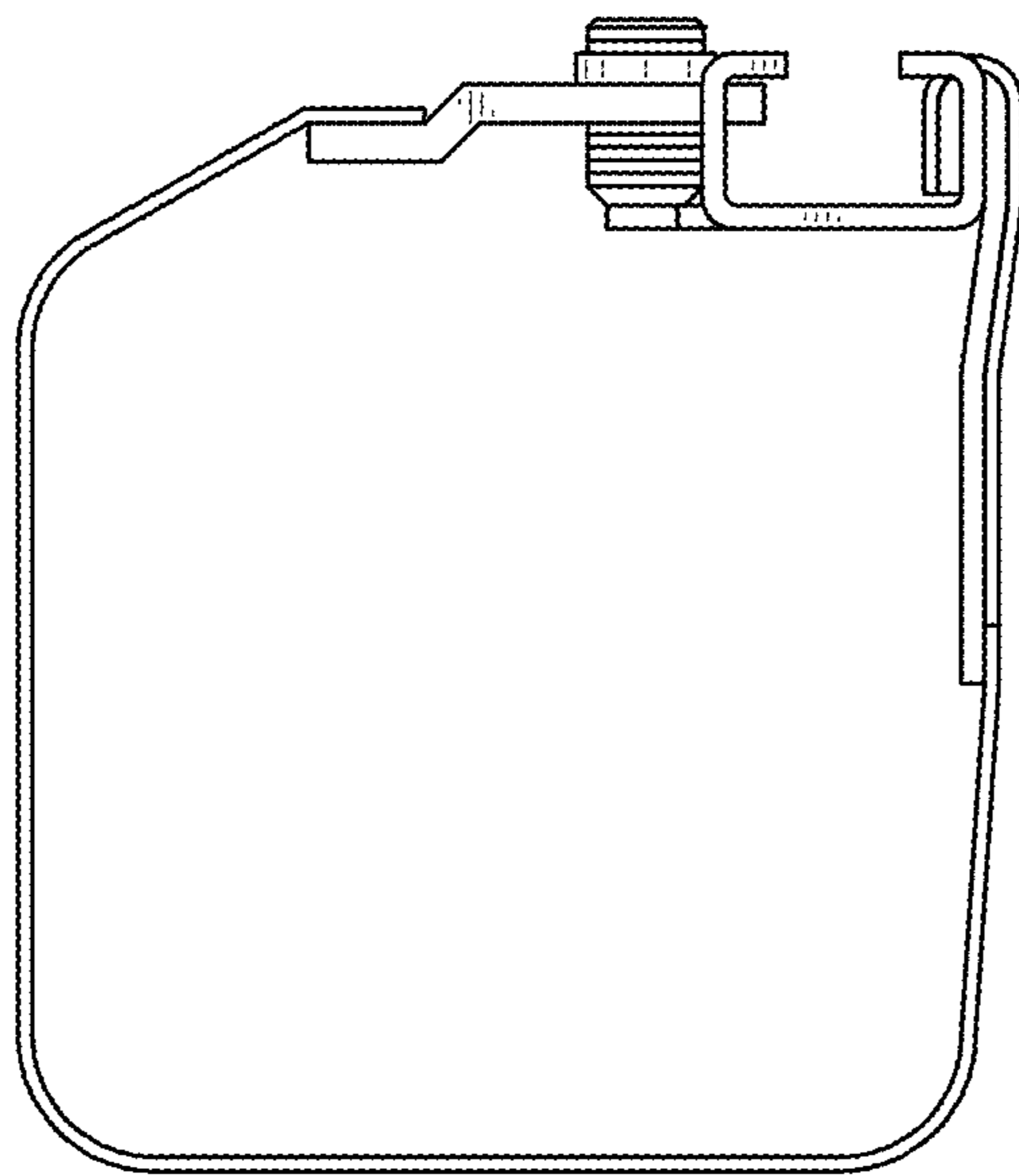


FIG. 16

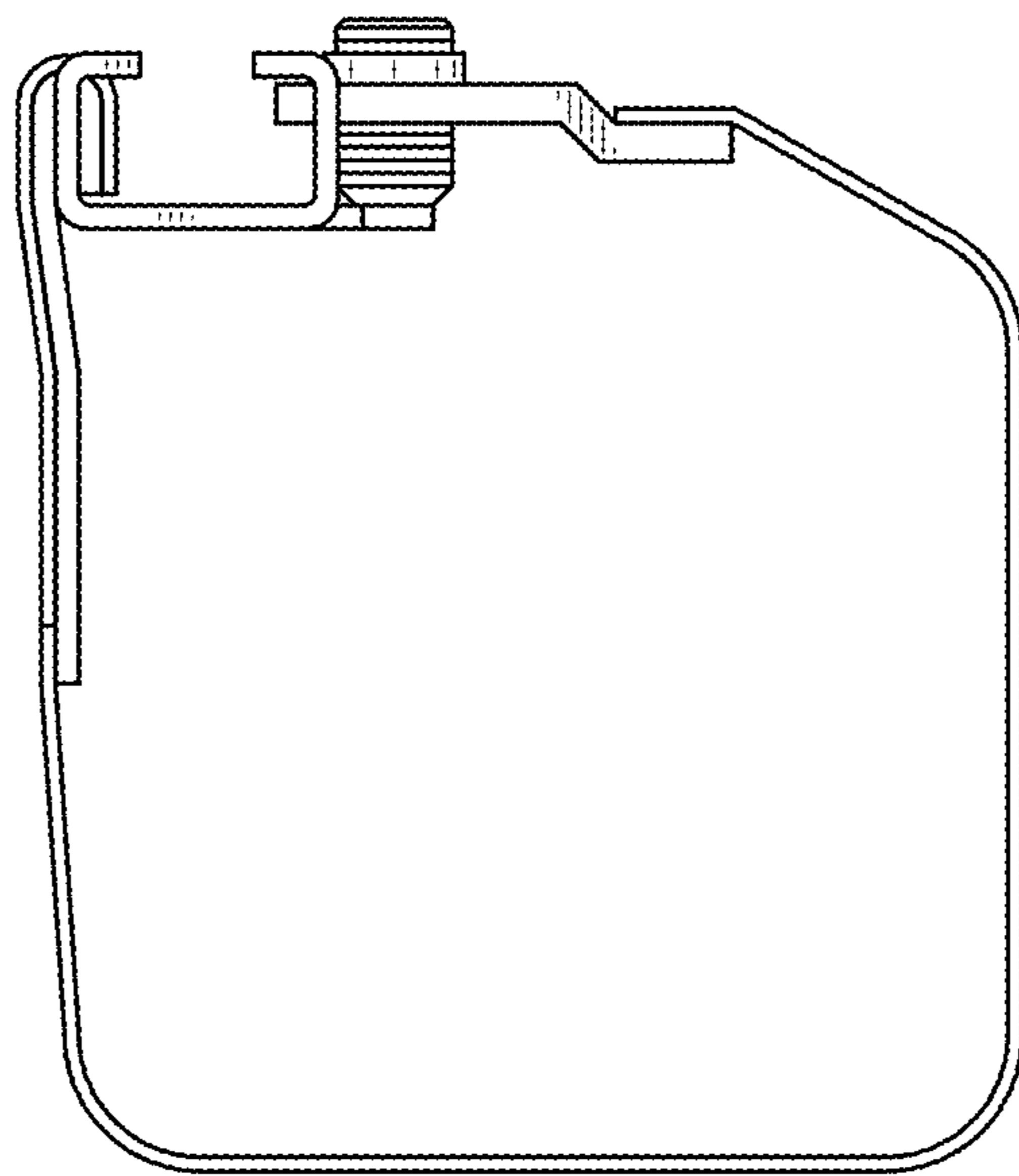


FIG. 17

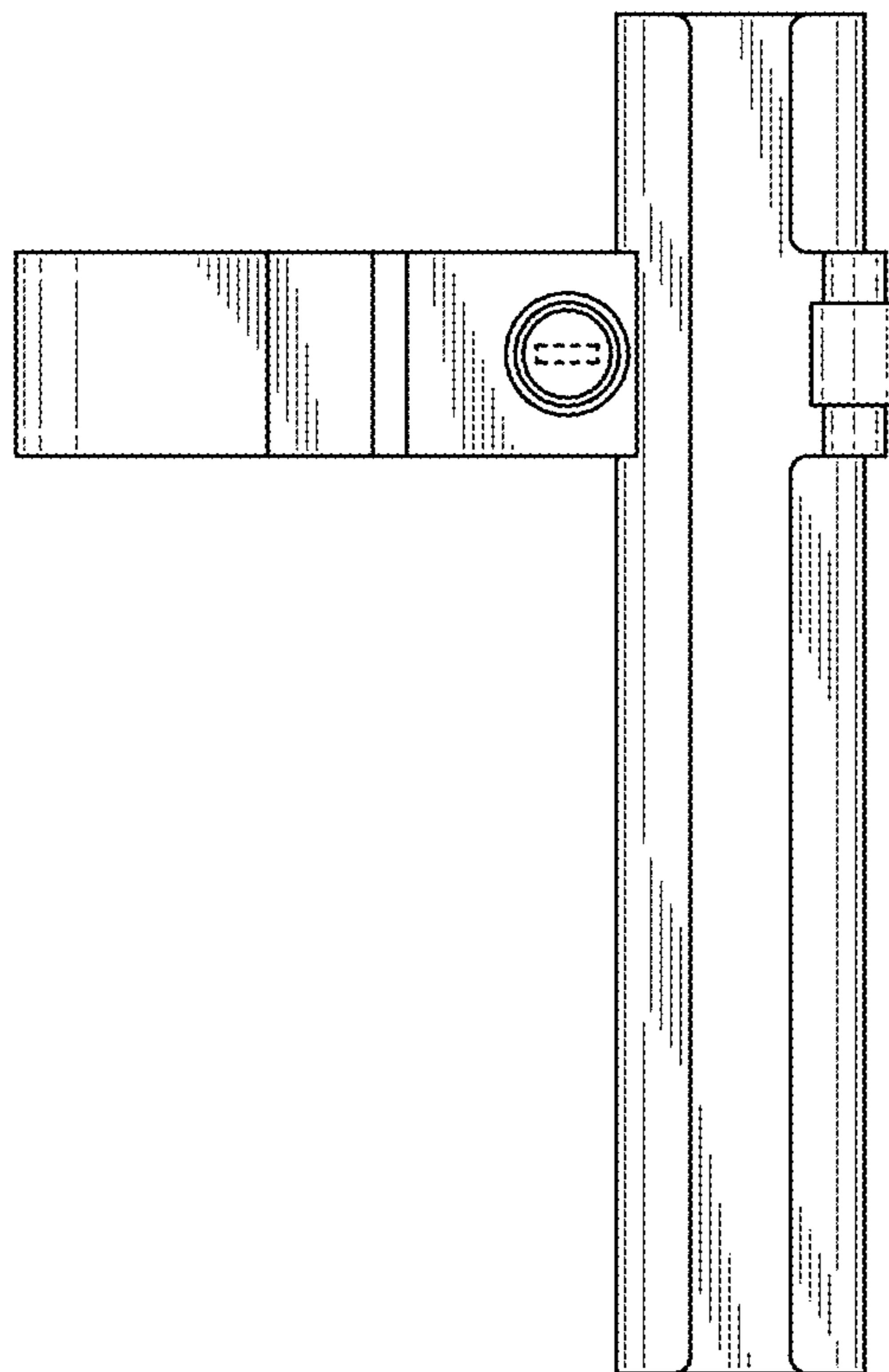


FIG. 18

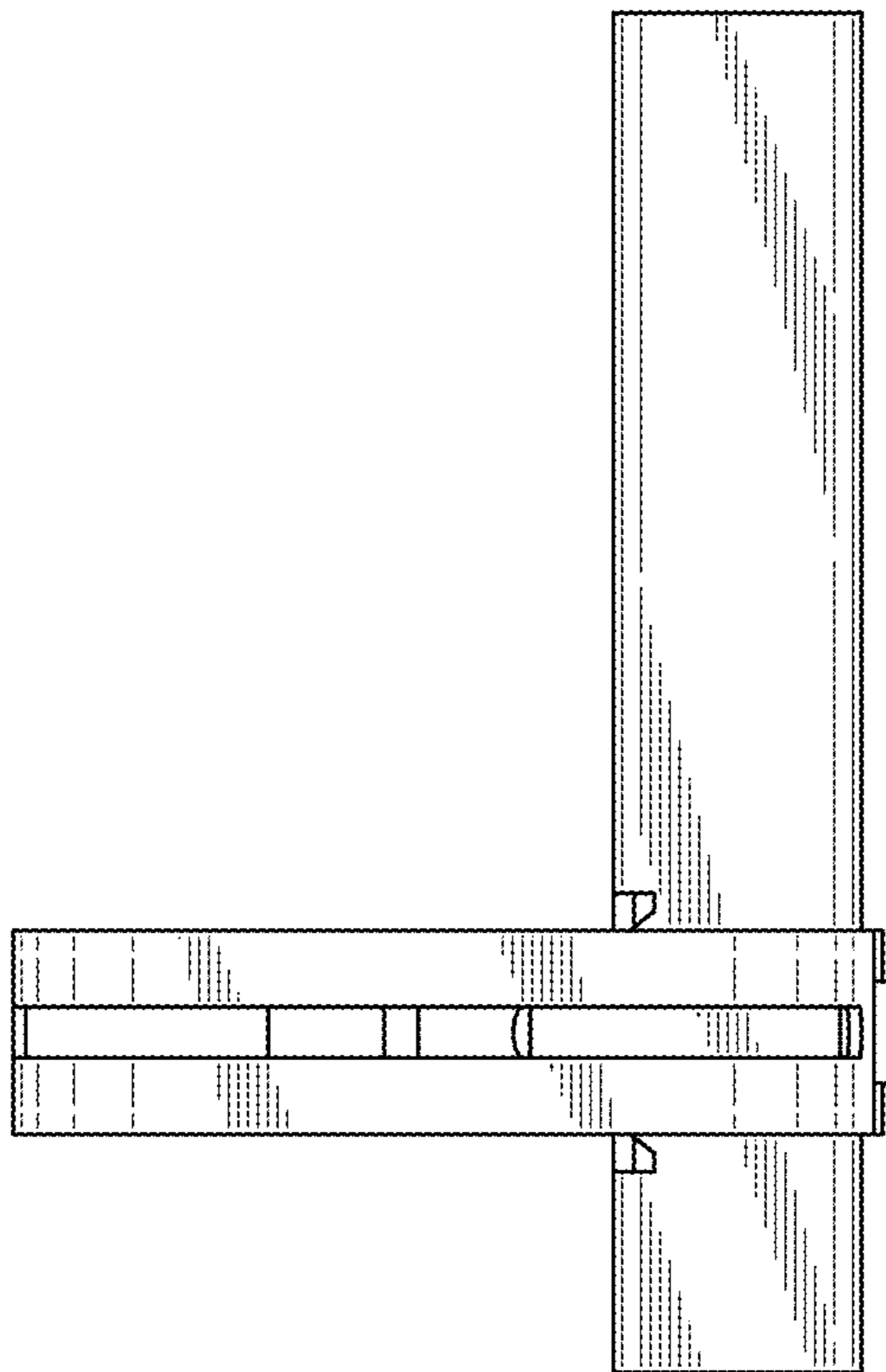


FIG. 19

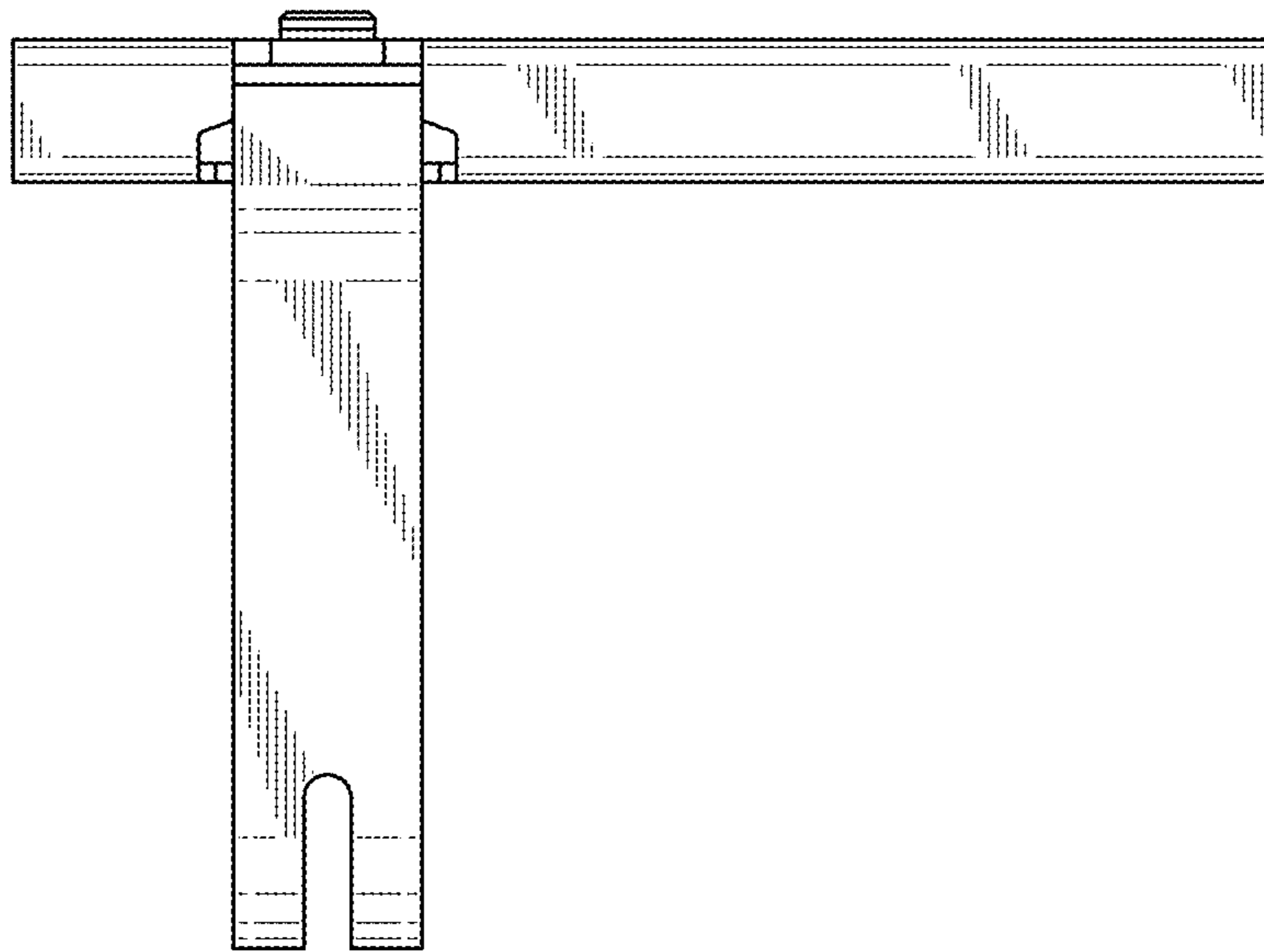


FIG. 20

