



US00D886652S

(12) **United States Design Patent**
Morris et al.

(10) **Patent No.:** **US D886,652 S**
(45) **Date of Patent:** **** Jun. 9, 2020**

(54) **HANDHELD VIDEO BORESCOPE**

D727,756 S * 4/2015 Stancato A61B 1/00167
D10/104.1

(71) Applicant: **Baker Hughes, a GE Company, LLC**,
Houston, TX (US)

9,186,048 B2 * 11/2015 Bueno A61B 1/00167
2019/0331613 A1 * 10/2019 Morris G01N 21/954

(72) Inventors: **Bryan Christopher Morris**,
Skaneateles, NY (US); **Gerard
Frederick Beckhusen**, Skaneateles, NY
(US); **Jason Pennell**, Skaneateles, NY
(US)

* cited by examiner

Primary Examiner — Antonine Duval Davis
(74) *Attorney, Agent, or Firm* — Mintz Levin Cohn Ferris
Glovsky and Popeo, P.C.

(73) Assignee: **Baker Hughes, a GE Company, LLC**,
Houston, TX (US)

(57) **CLAIM**
The ornamental design for a handheld video borescope, as
shown and described.

(**) Term: **15 Years**

DESCRIPTION

(21) Appl. No.: **29/673,486**

(22) Filed: **Dec. 14, 2018**

(51) **LOC (12) Cl.** **10-04**

(52) **U.S. Cl.**
USPC **D10/78; D10/104.1**

(58) **Field of Classification Search**
USPC D10/46, 78, 104.1
CPC G02B 23/16; G02B 23/24; G02B 23/2476;
G02B 23/26
See application file for complete search history.

FIG. 1 is an isometric view of a handheld video borescope
having a housing with an enlarged screen;
FIG. 2 is a front view of the handheld video borescope of
FIG. 1;
FIG. 3 is a back view of the handheld video borescope of
FIG. 1;
FIG. 4 is a left view of the handheld video borescope of FIG.
1;
FIG. 5 is a right view of the handheld video borescope of
FIG. 1;
FIG. 6 is a top view of the handheld video borescope of FIG.
1; and,
FIG. 7 is a bottom view of the handheld video borescope of
FIG. 1.

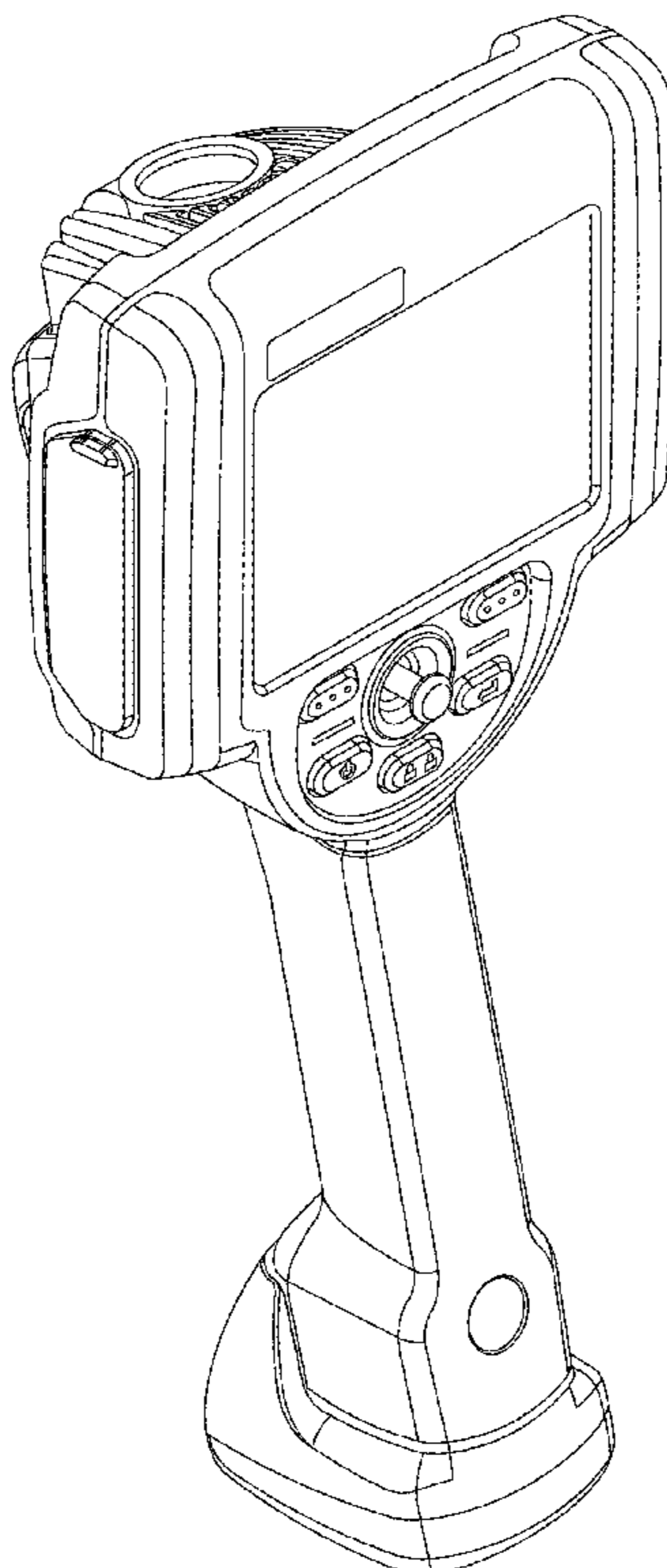
Where applicable, elements are shown in broken lines herein
for illustrative purposes only, and form no part of the
claimed design.

(56) **References Cited**

U.S. PATENT DOCUMENTS

7,902,990 B2 * 3/2011 Delmonico H02J 7/0047
340/539.11
8,970,934 B2 * 3/2015 Yang G02B 23/2476
359/240

1 Claim, 6 Drawing Sheets



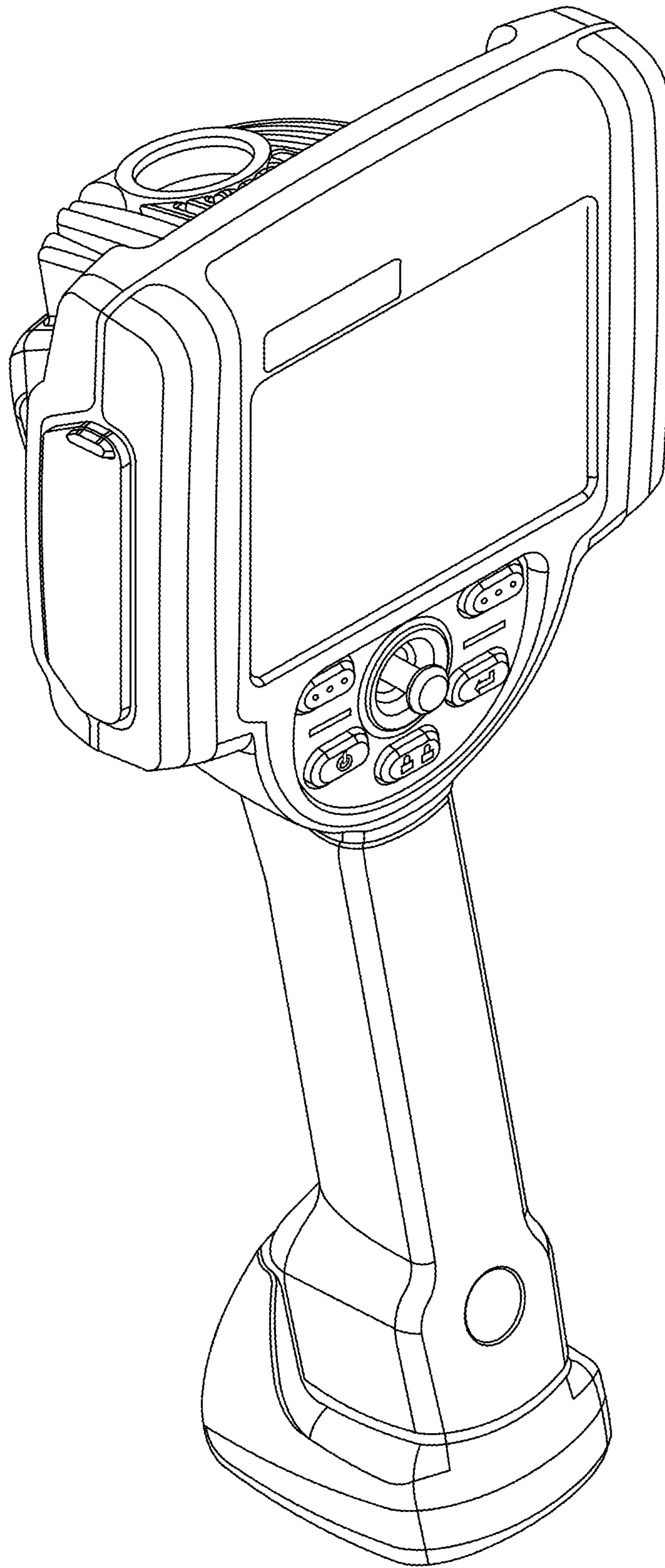


FIG. 1

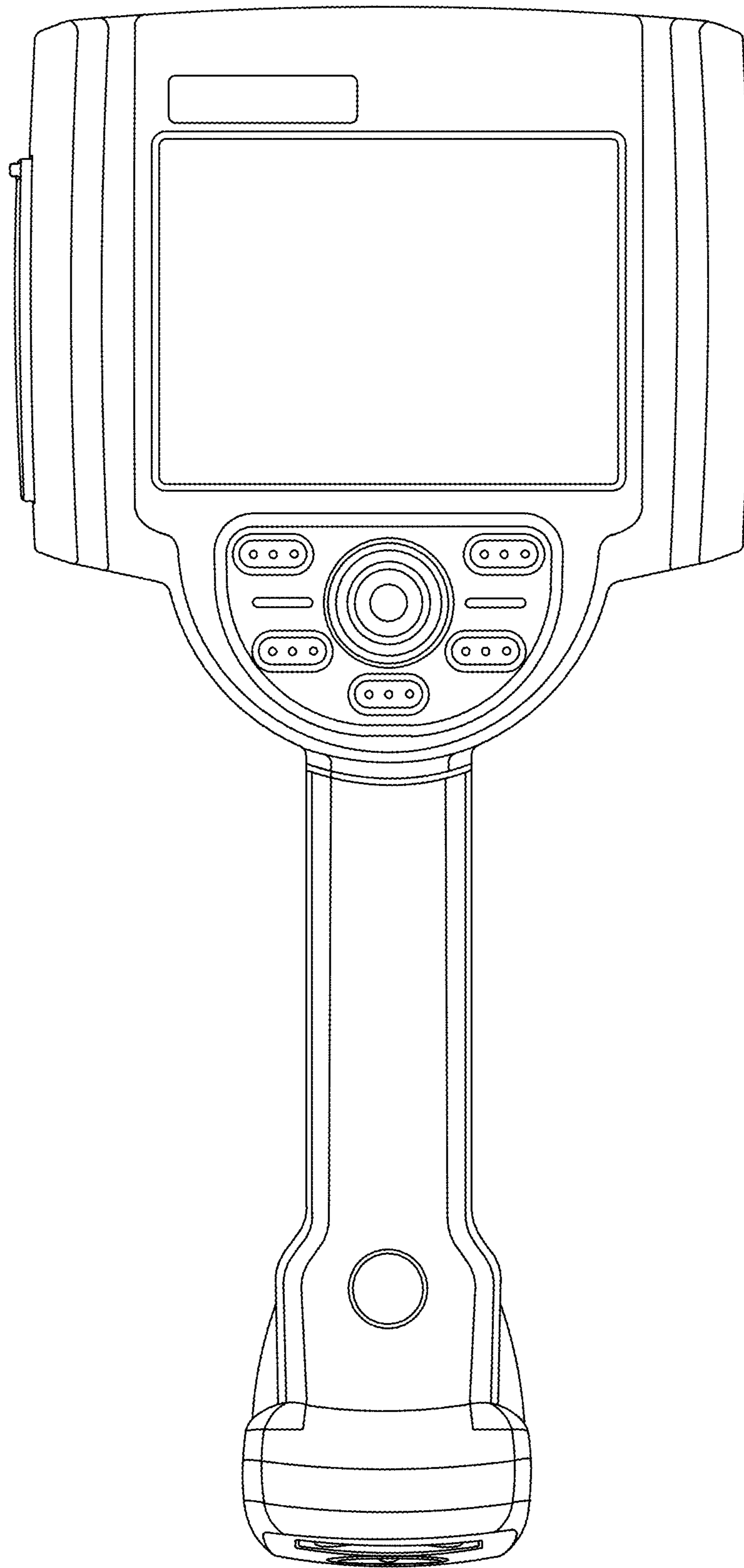


FIG. 2

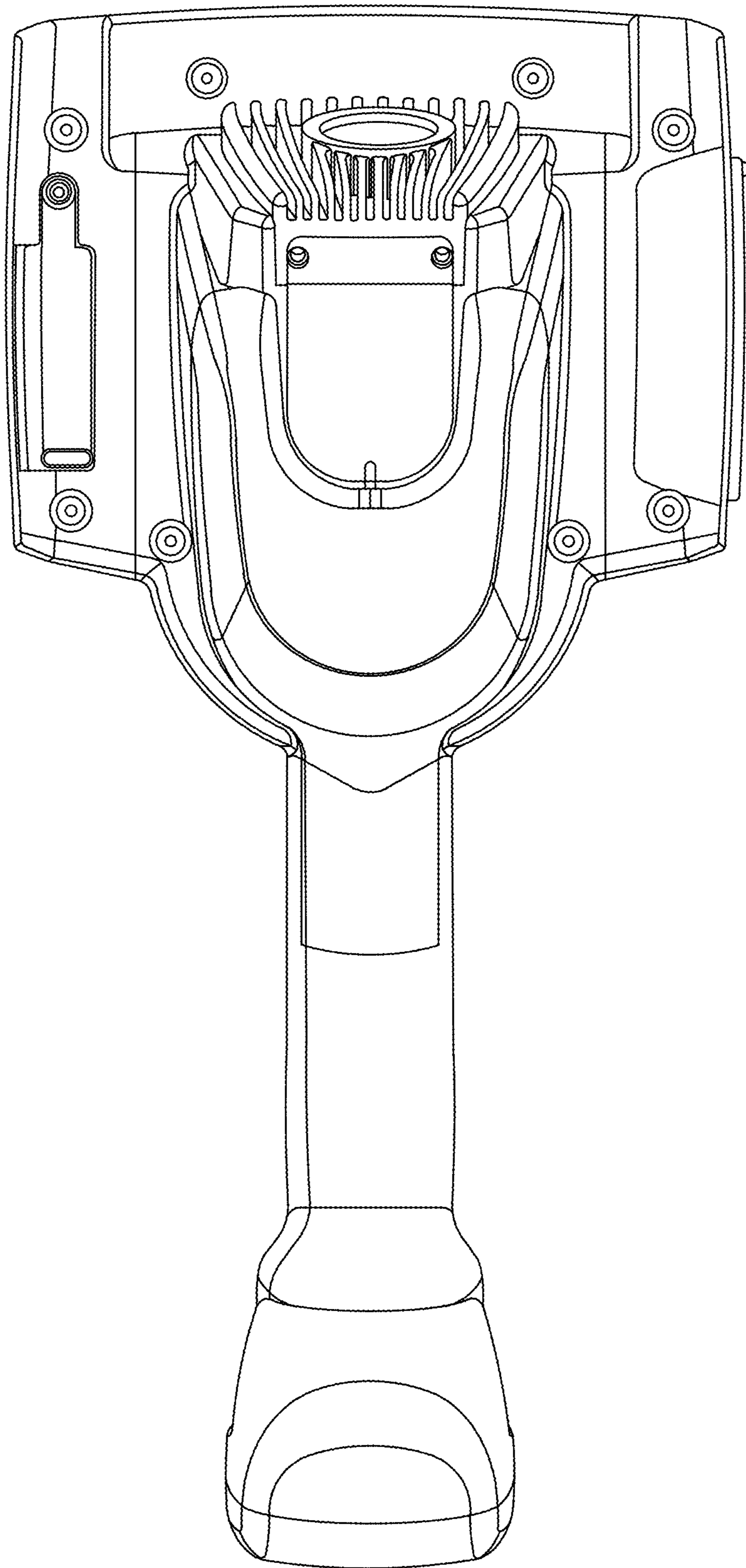


FIG. 3

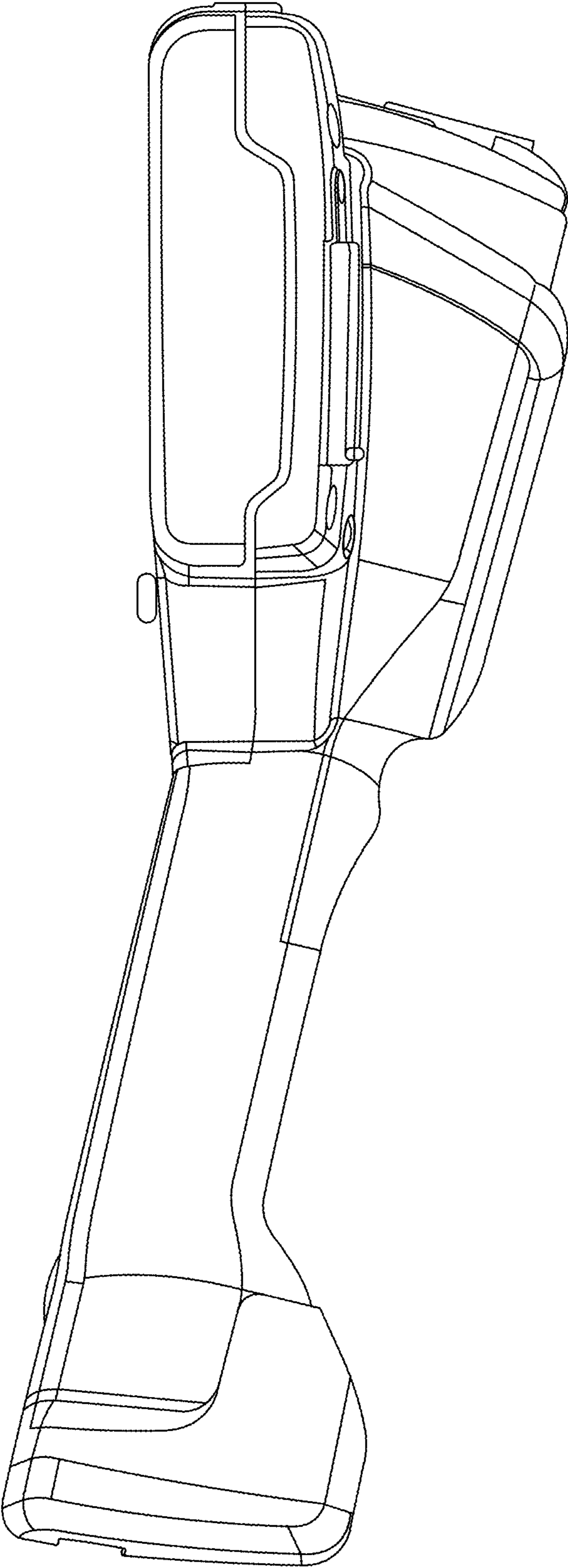


FIG. 4

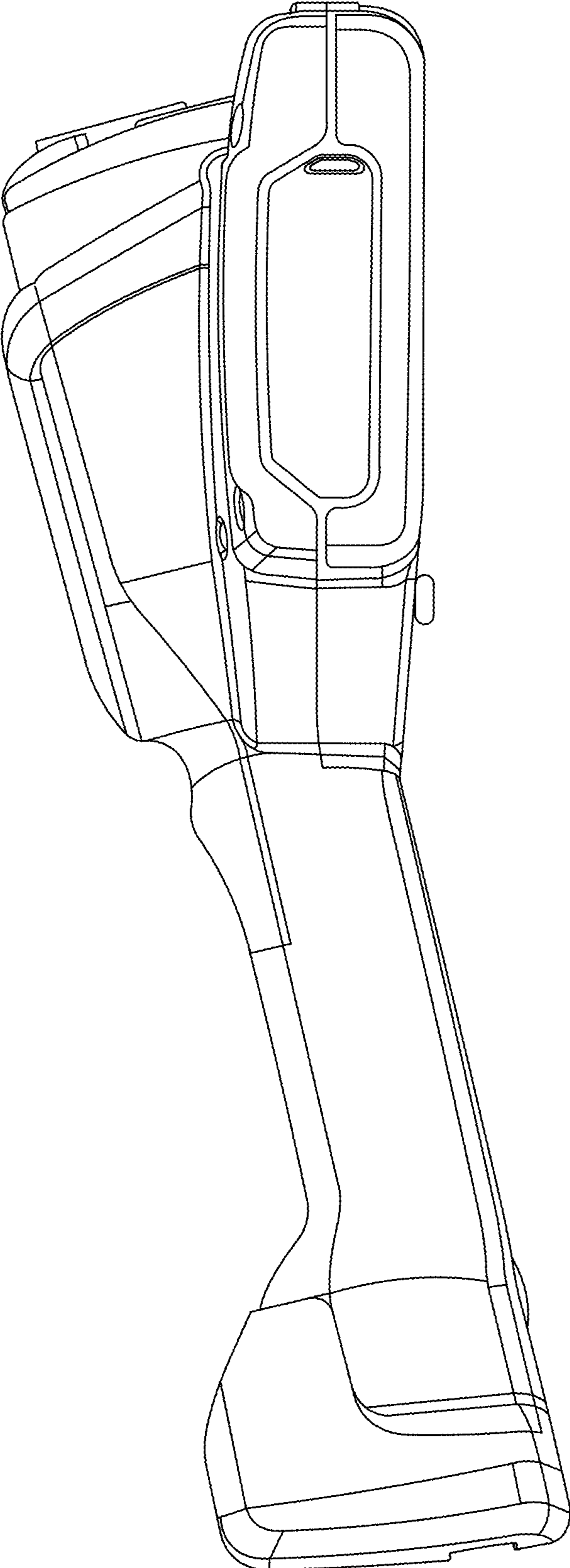


FIG. 5

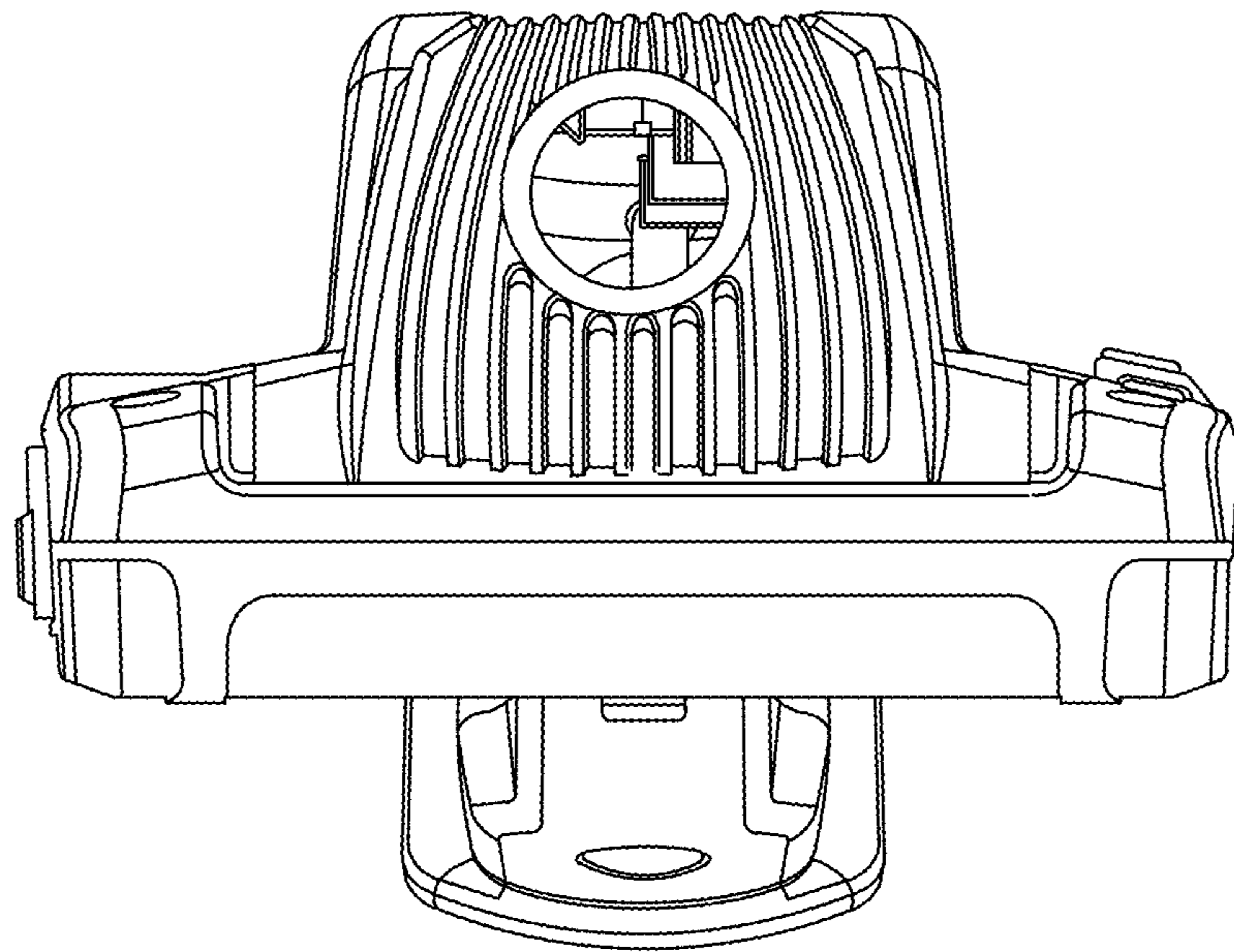


FIG. 6

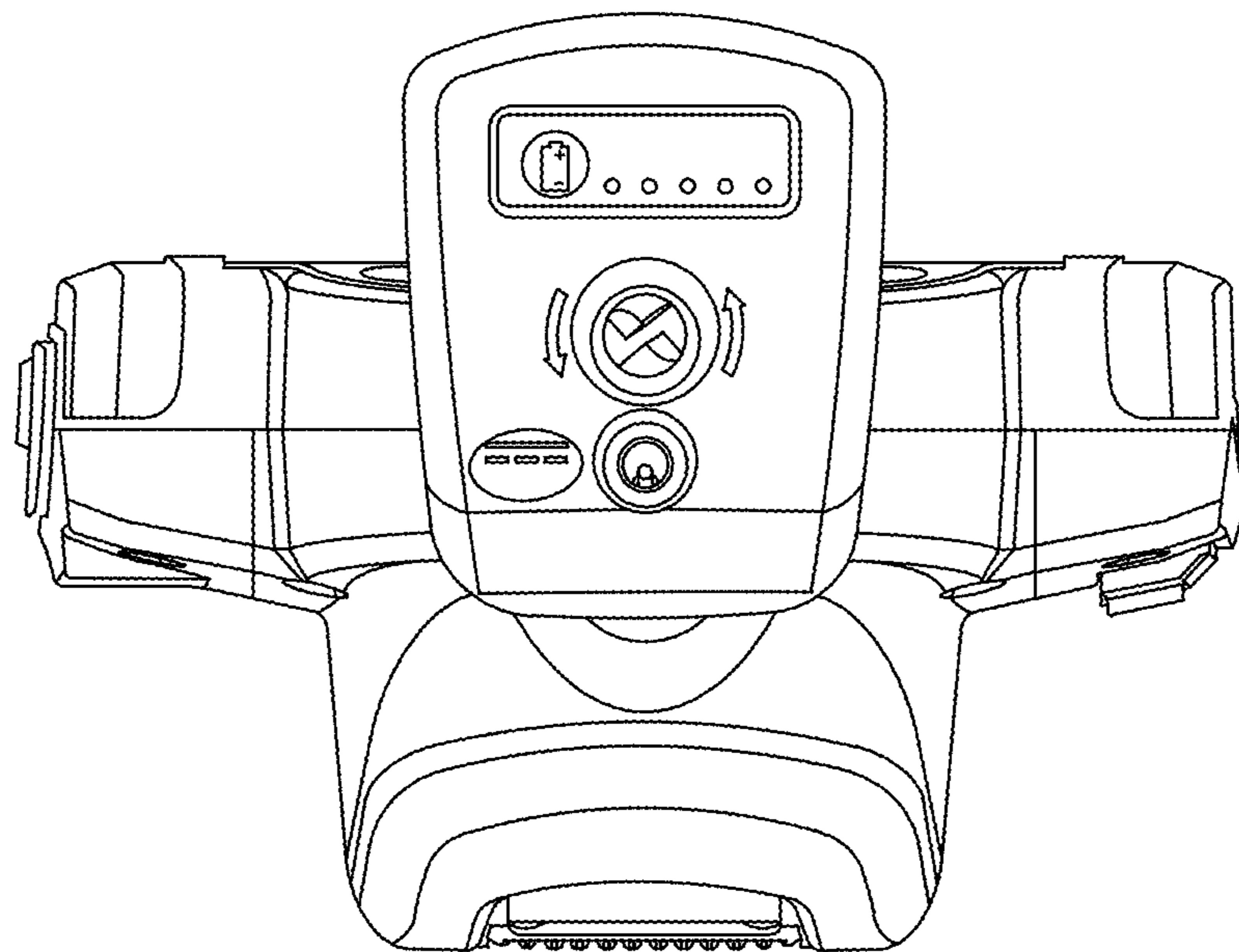


FIG. 7