



US00D886650S

(12) **United States Design Patent**
Lan et al.

(10) **Patent No.:** **US D886,650 S**
(45) **Date of Patent:** **** Jun. 9, 2020**

(54) **PLUG-IN SENSOR FOR LAMPS**

(71) Applicant: **Shenzhen Guanke Technologies Co., Ltd**, Shenzhen (CN)

(72) Inventors: **Qing Lan**, Shenzhen (CN); **Xuren Qiu**, Shenzhen (CN); **Ligen Liu**, Shenzhen (CN); **Shoubao Chen**, Shenzhen (CN)

(73) Assignee: **Shenzhen Guanke Technologies Co., Ltd**, Shenzhen (CN)

(**) Term: **15 Years**

(21) Appl. No.: **29/670,294**

(22) Filed: **Nov. 15, 2018**

(51) **LOC (12) Cl.** **10-04**

(52) **U.S. Cl.**
USPC **D10/70; D10/49**

(58) **Field of Classification Search**
USPC D10/46, 49, 70
CPC F04D 13/02; F04D 29/026; F04D 29/043;
F04D 29/02; F04D 29/049; B29C 45/26;
B29C 45/5675; F16H 55/40; F16H 55/36;
F05D 2300/6034; G06F 3/0304; G06F
3/0308; G06F 3/0312; G06F 3/0317;
G06F 3/0321; G06F 3/0325; G06F
3/0425

See application file for complete search history.

(56) **References Cited**

U.S. PATENT DOCUMENTS

D851,509 S * 6/2019 Du D10/70

OTHER PUBLICATIONS

“Westek Outdoor Motion Sensor Light Control, 2 Pack—This Outside Motion Sensor Light Socket Device Turns On Lights When

Movement is Detected—Screw-In Light Bulb Socket Adapter, 20ft Distance”, retrieved on Mar. 8, 2020. retrieved from Internet, <https://www.amazon.com/dp/B018YBQ9CO>.

“Motion Sensor Light Socket. PIR Motion E26 Screw Bulb Adapter, Adjustable Auto On/Off Night Light Control, Garage Light, for Basement Pantry Room, Storage Room, garage light”, retrieved on Mar. 8, 2020. retrieved from Internet, <https://www.amazon.com/dp/B07GWRVMSJ/>.

“Motion Sensor Outlet Device, 2 Pack—Plug In Motion Sensor Device Turns On Your Lamp, Radio or Appliance When Movement Is Detected—Ideal For Dark Rooms, Hallways—25ft Detection, 6 Foot Cord”, retrieved on Mar. 8, 2020. retrieved from Internet, <https://www.amazon.com/Motion-Activated-Light-Control-Plug/dp/B0128U0GOY/>.

* cited by examiner

Primary Examiner — Antoine Duval Davis

(57) **CLAIM**

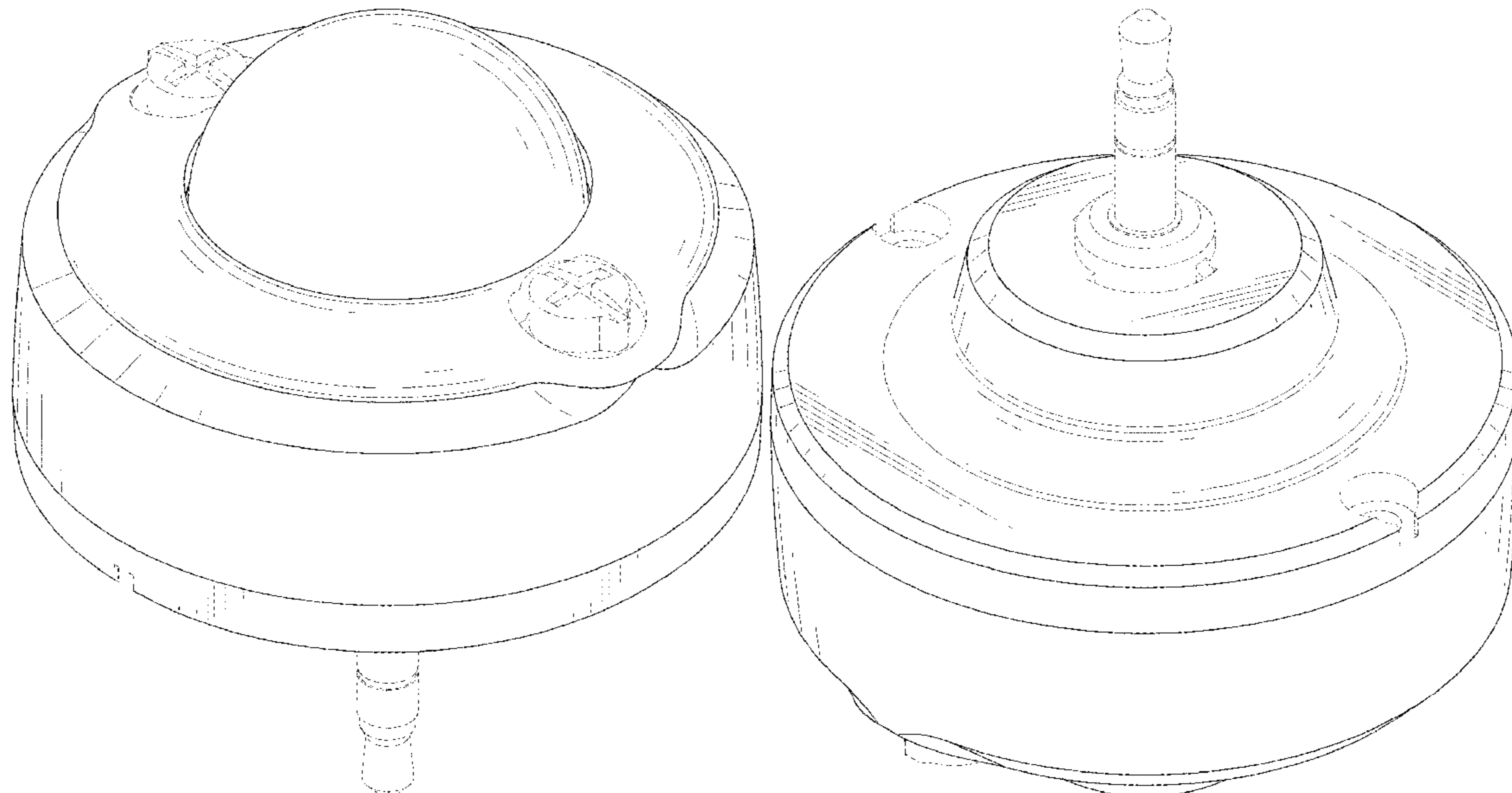
The ornamental design for a plug-in sensor for lamps, as shown and described.

DESCRIPTION

FIG. 1 is a perspective view of a plug-in sensor for lamps showing my new design;
FIG. 2 is another perspective view thereof;
FIG. 3 is a front elevational view thereof;
FIG. 4 is a rear elevational view thereof;
FIG. 5 is a left side elevational view thereof;
FIG. 6 is a right side elevational view thereof;
FIG. 7 is a top plan view thereof; and,
FIG. 8 is a bottom plan view thereof.

The broken lines in the drawings are for the purpose of illustrating portions of the plug-in sensor for lamps that form no part of the claimed design.

1 Claim, 8 Drawing Sheets



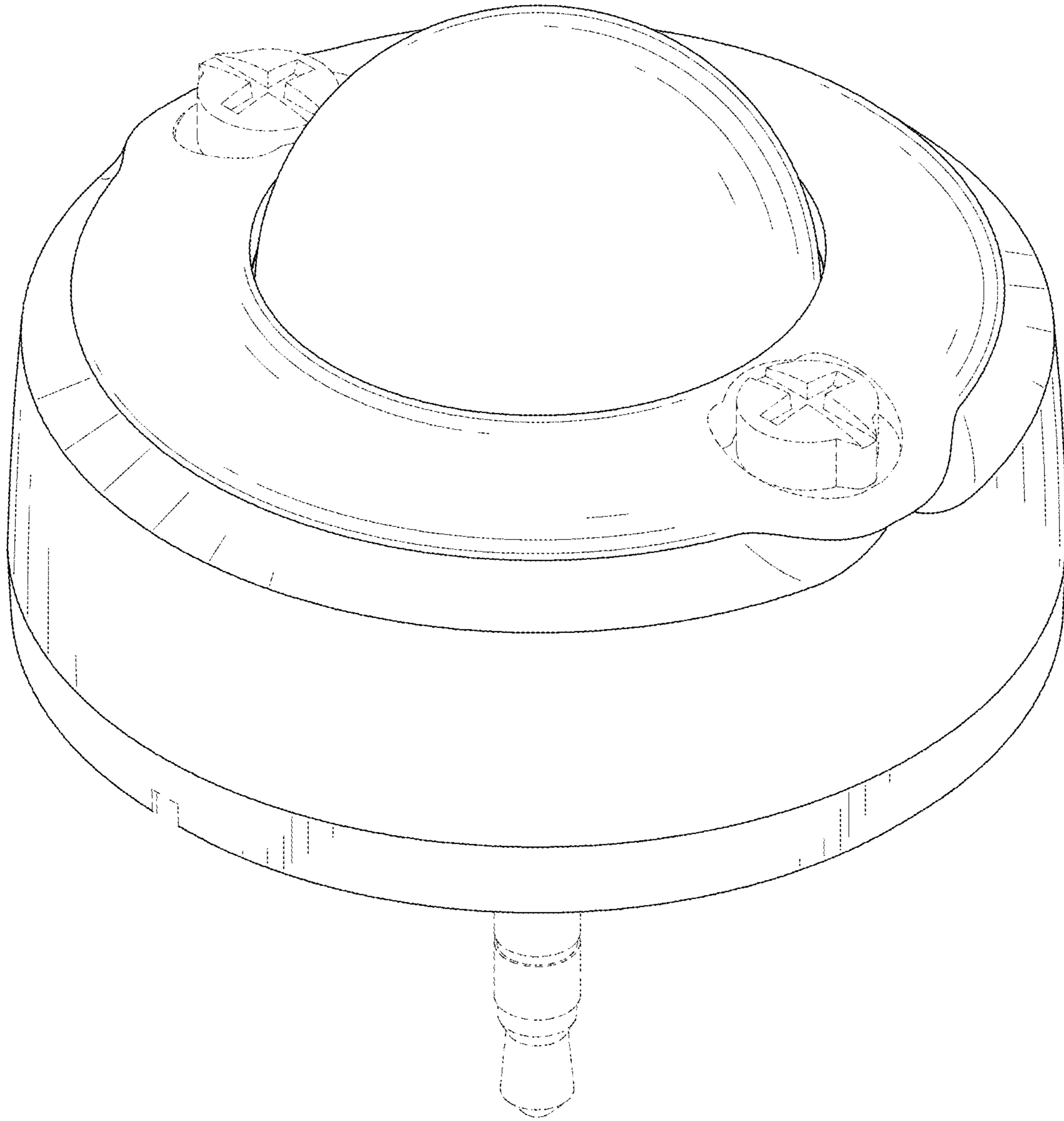


FIG. 1

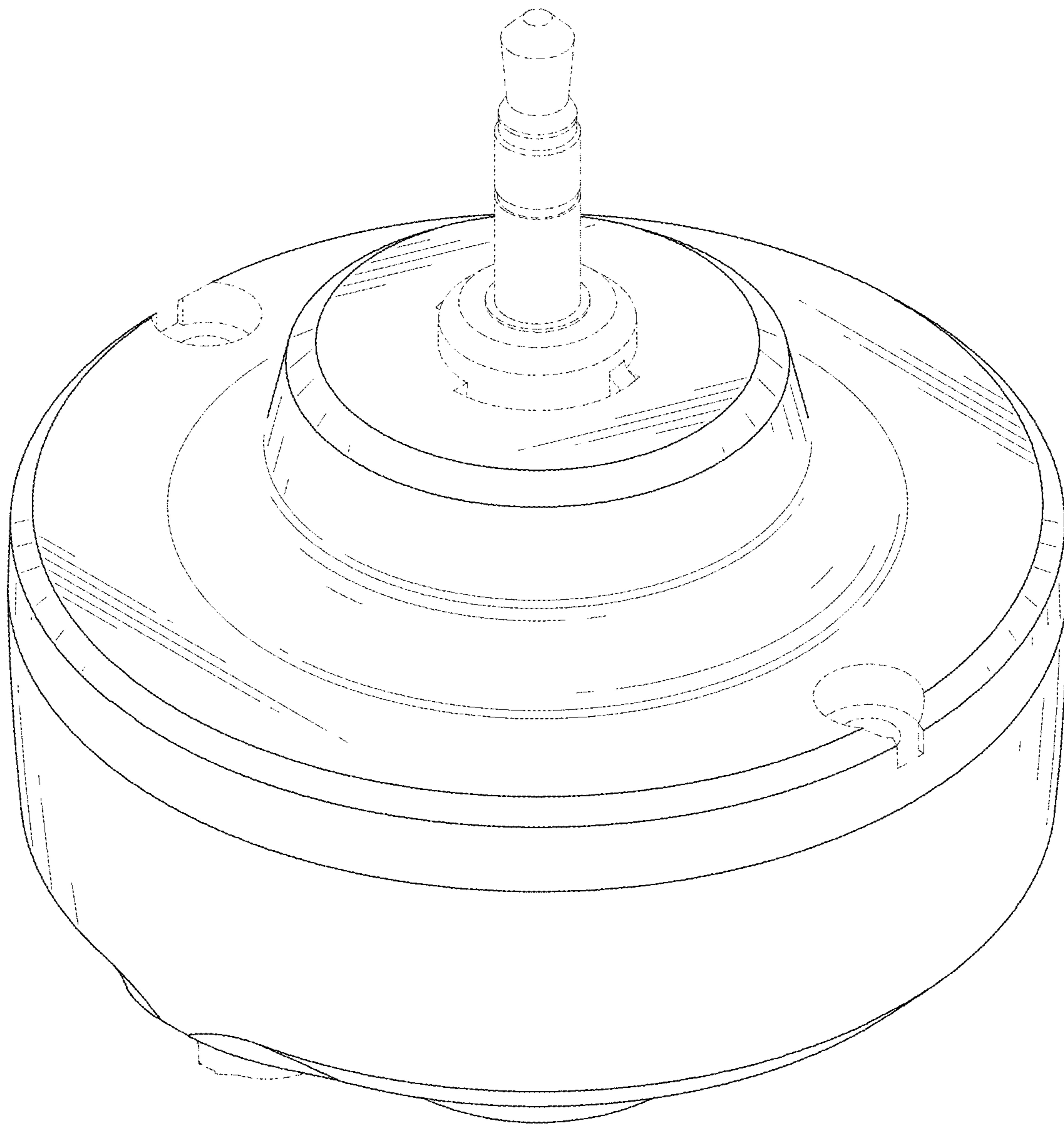


FIG. 2

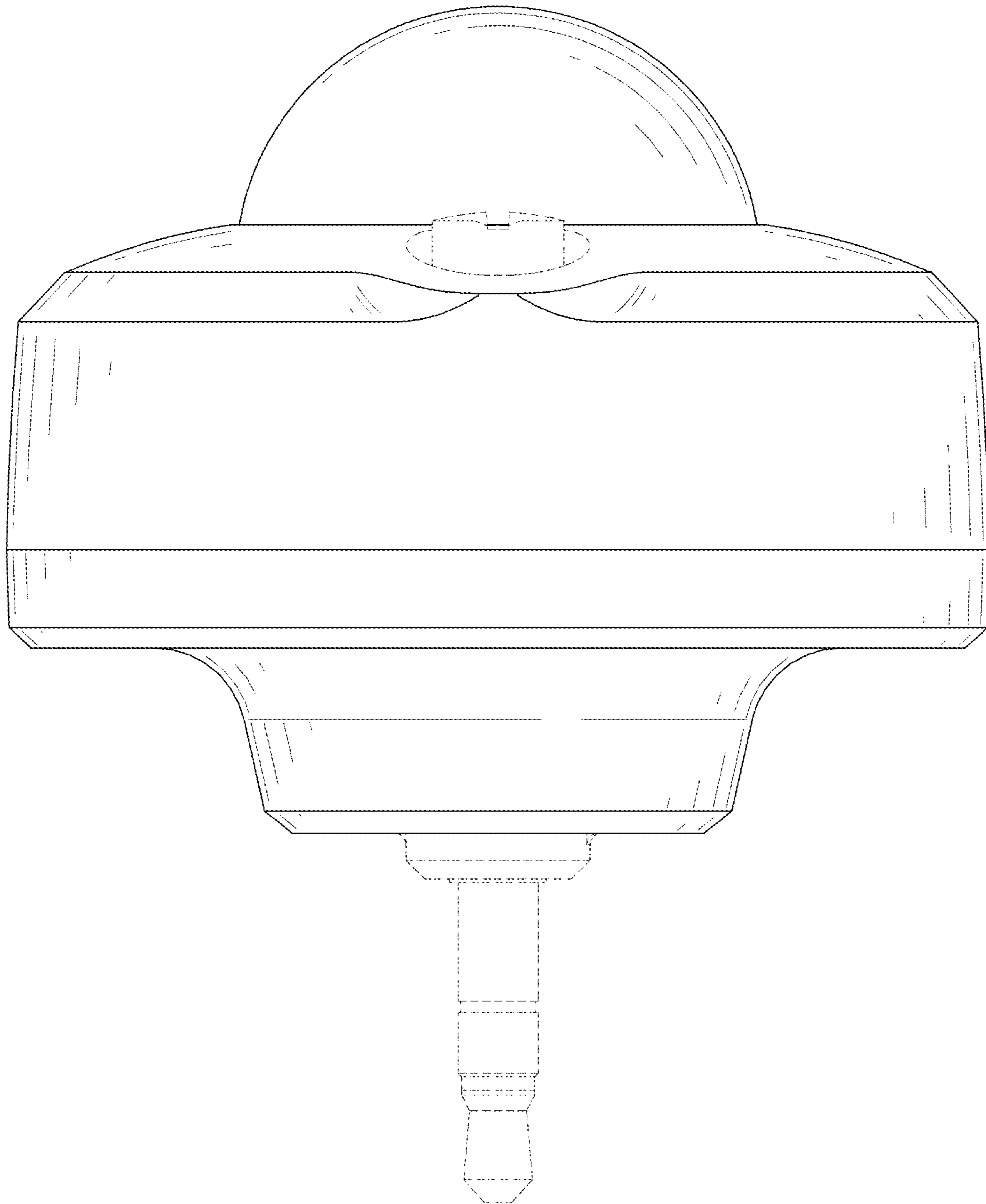


FIG. 3

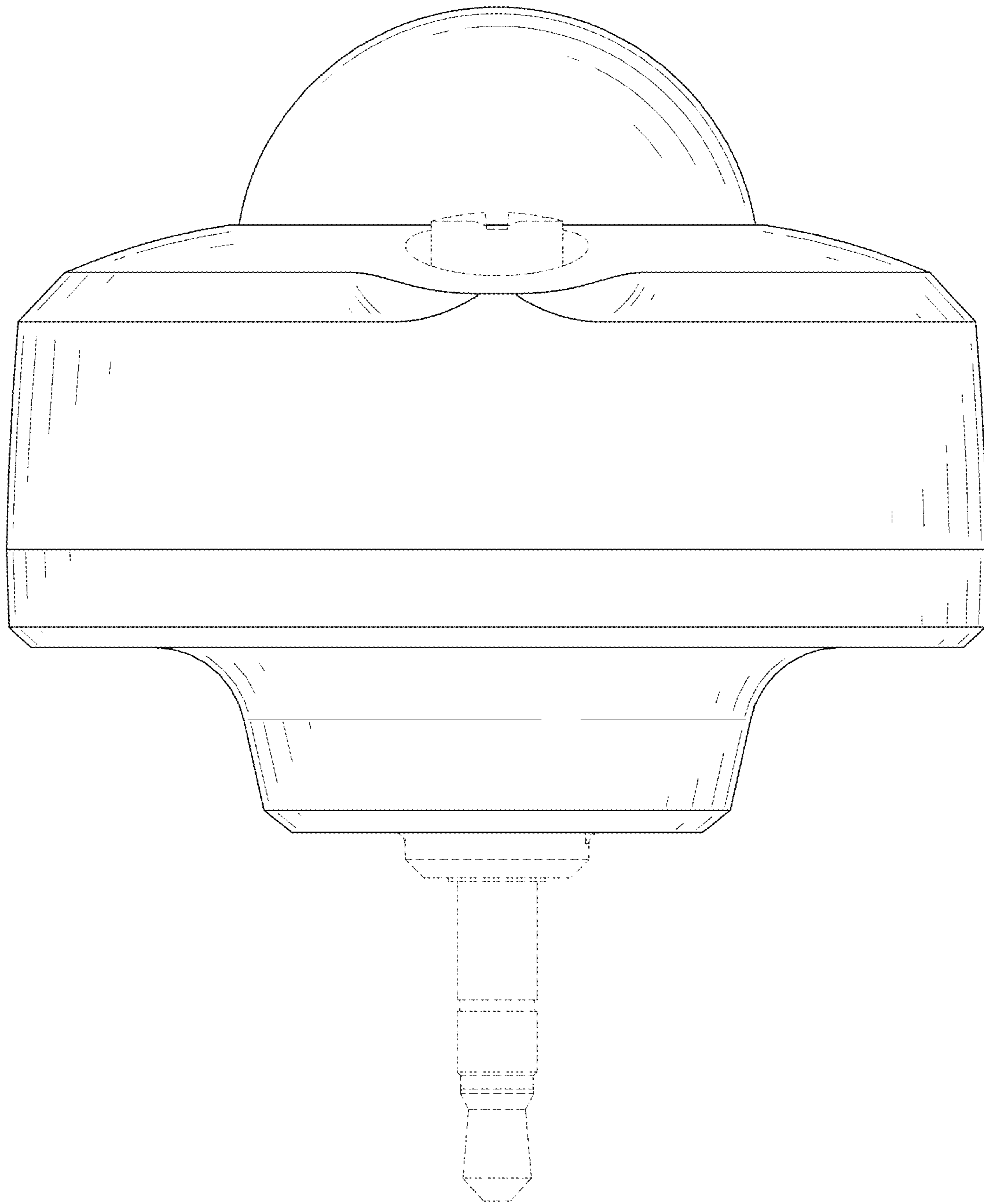


FIG. 4

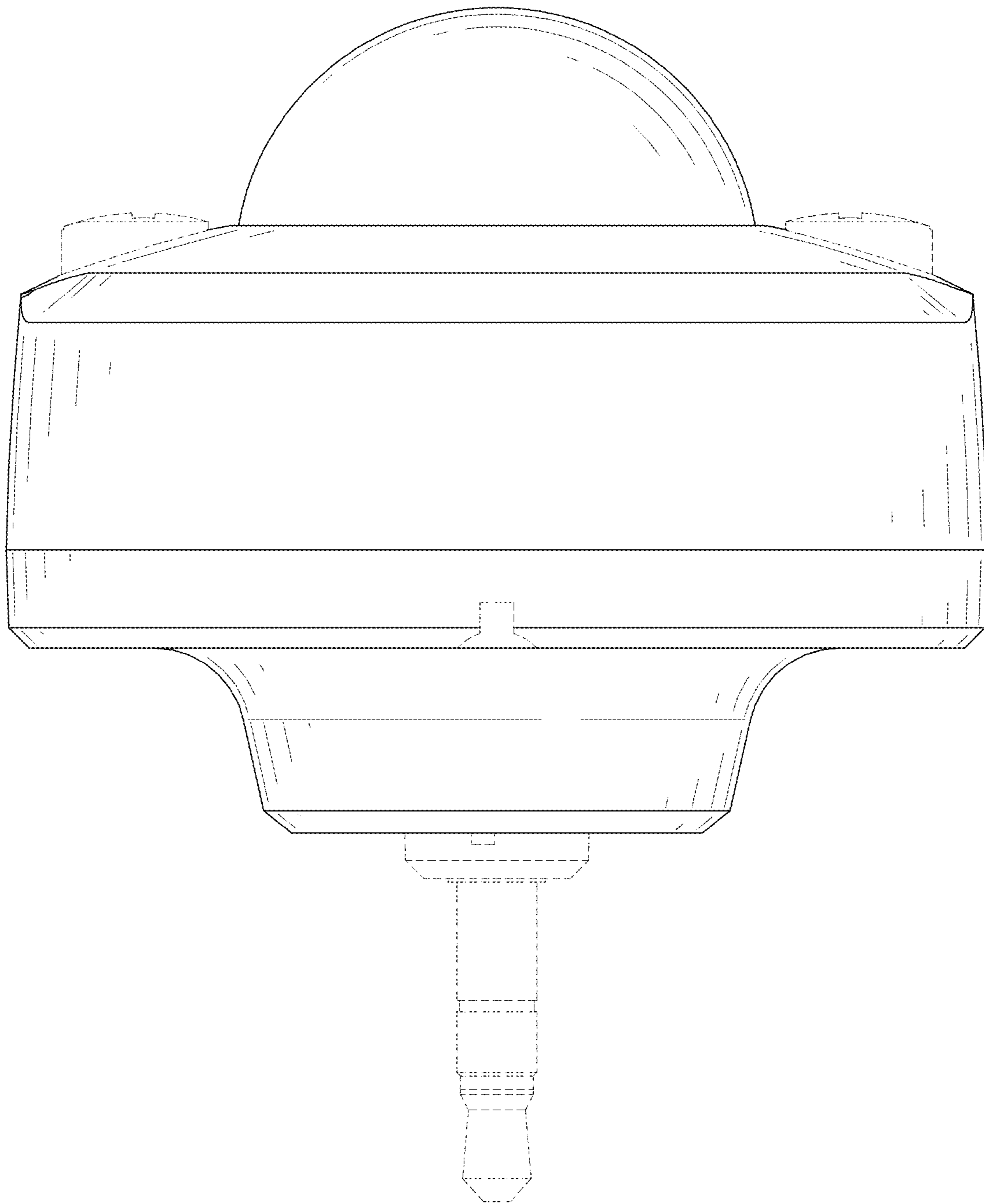


FIG. 5

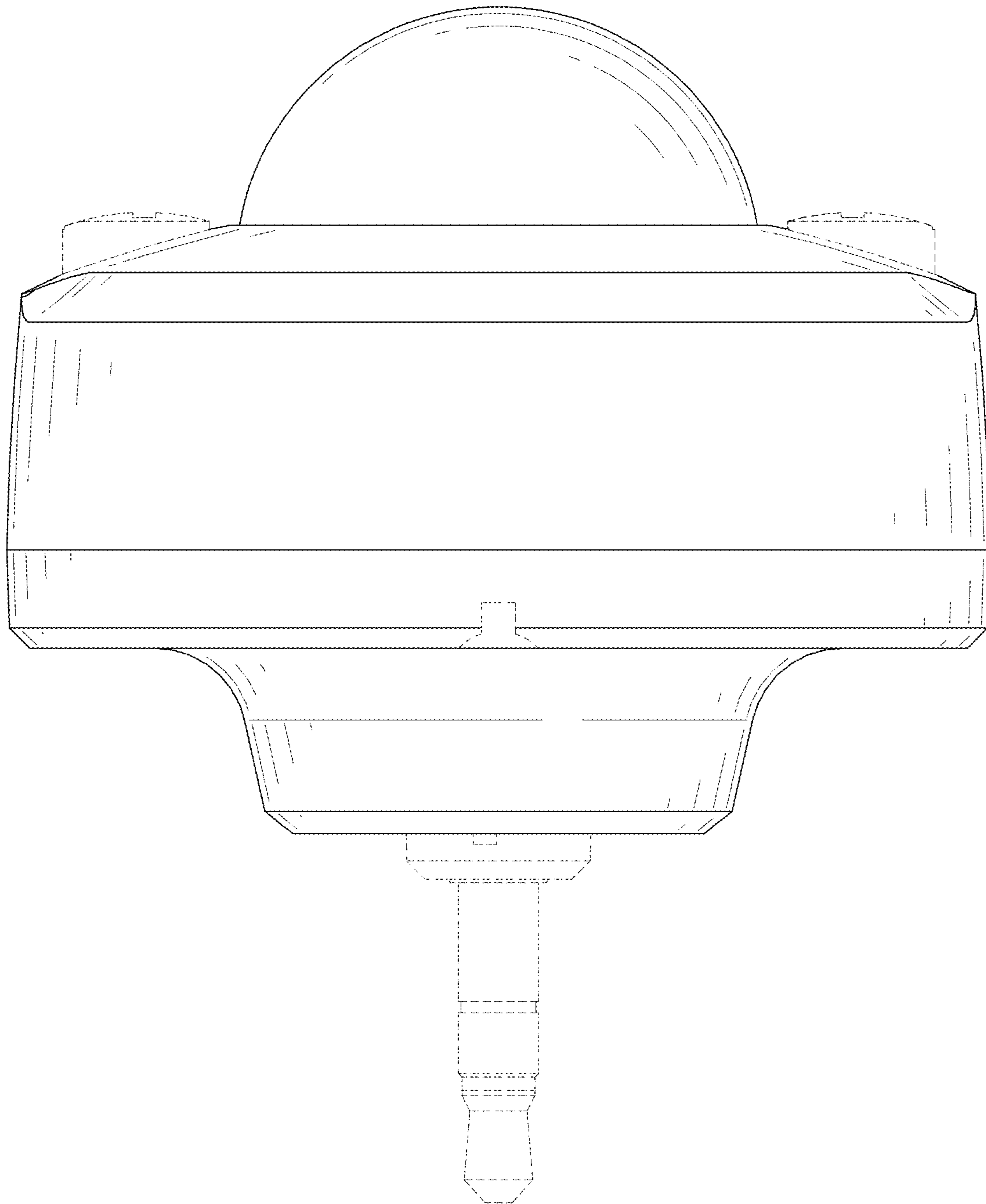


FIG. 6

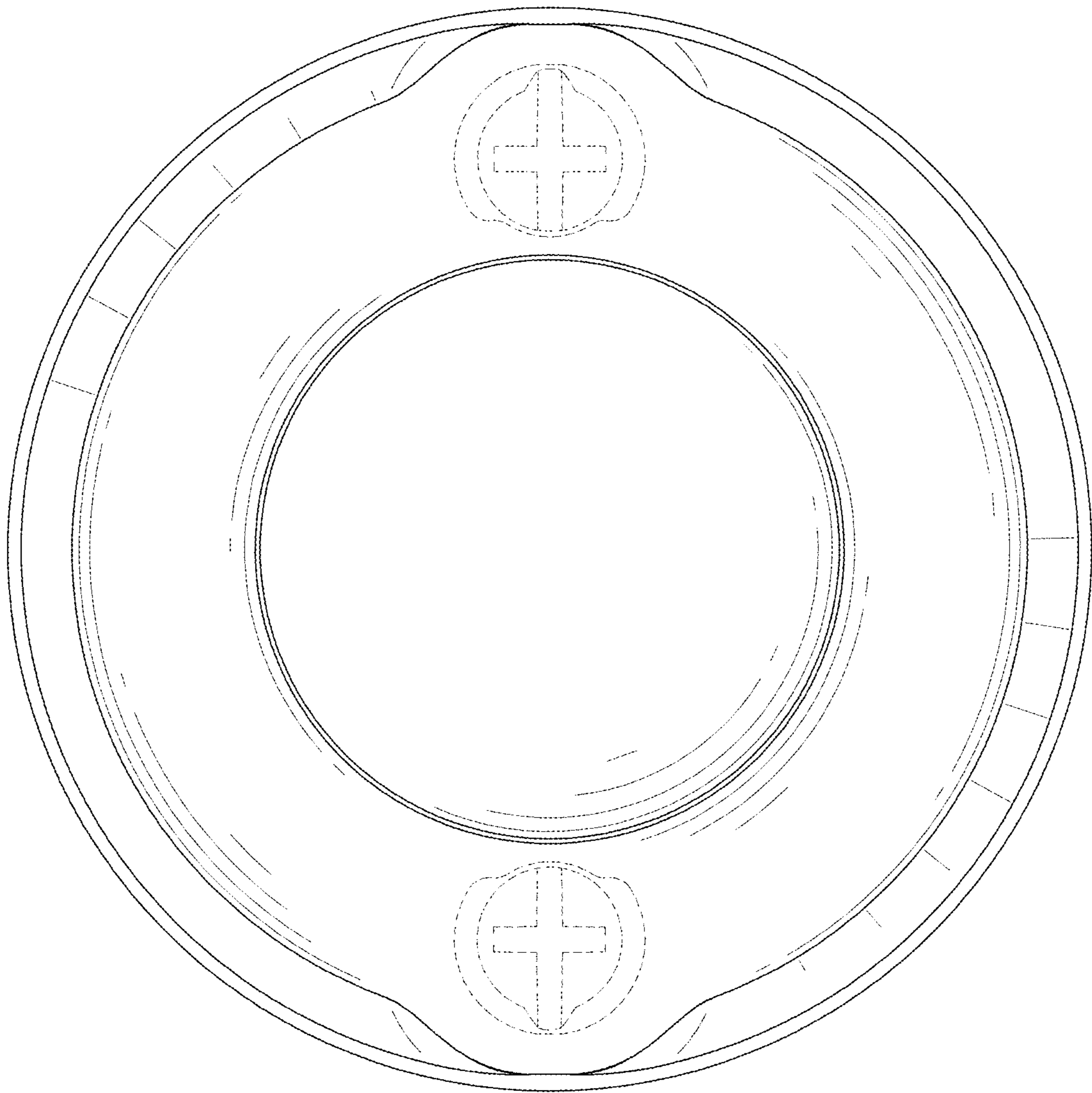


FIG. 7

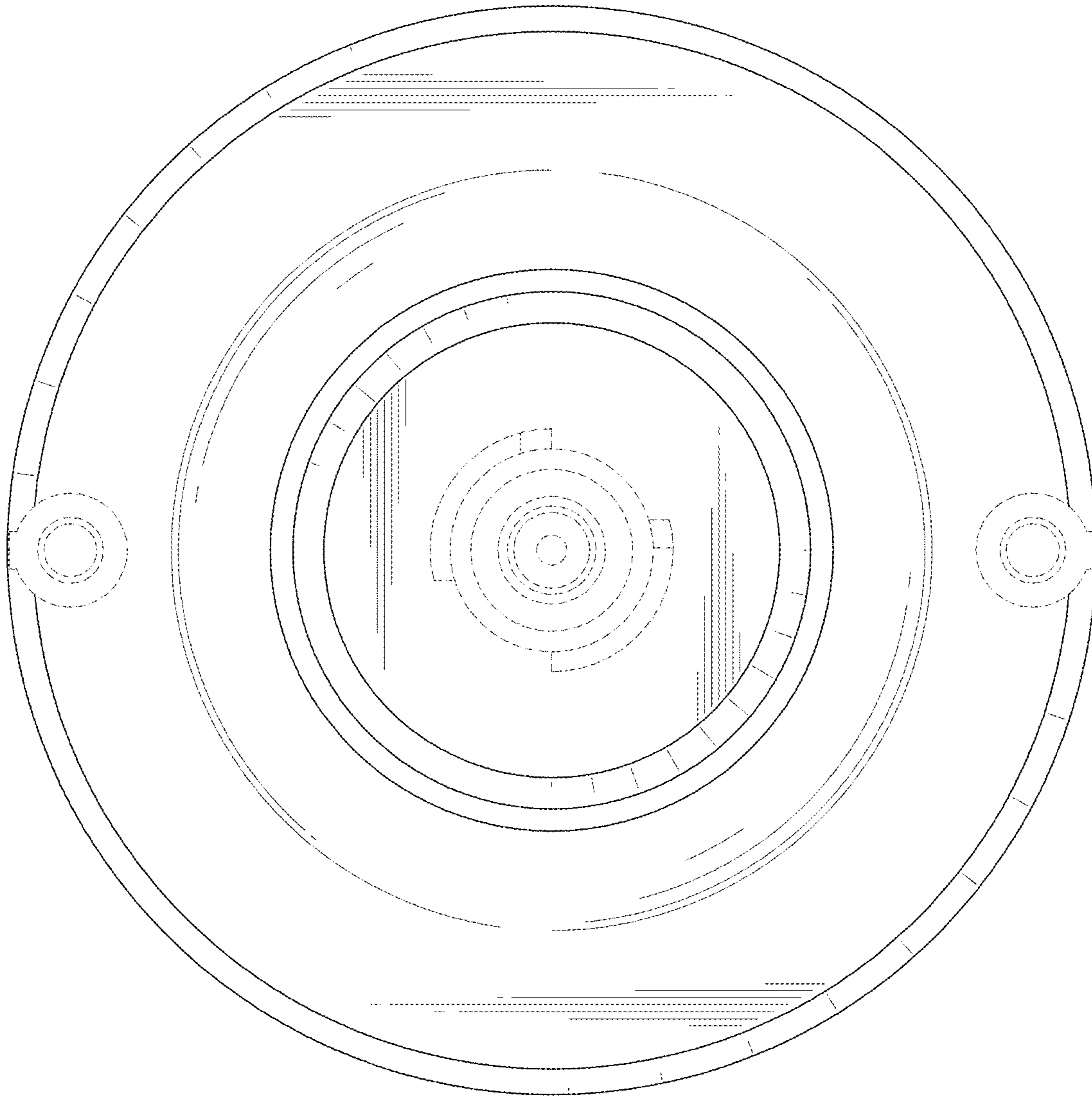


FIG. 8