



US00D886647S

(12) **United States Design Patent**
Park et al.

(10) **Patent No.:** **US D886,647 S**

(45) **Date of Patent:** **** Jun. 9, 2020**

(54) **DUST SENSOR**

2021/0112; G01N 21/94; G01N 21/01;
G01N 2021/945; G01N 21/47; B60Q
1/0005

(71) Applicant: **SAMYOUNG S&C CO., LTD.**,
Gyeonggi-do (KR)

See application file for complete search history.

(72) Inventors: **Sang Ick Park**, Seoul (KR); **Do Hoon Kim**, Gyeonggi-do (KR); **Hyun Chul Hwang**, Gyeonggi-do (KR); **Myeong Yong Lee**, Gyeonggi-do (KR)

(56) **References Cited**

U.S. PATENT DOCUMENTS

D345,707 S * 4/1994 Alister D10/81
10,046,619 B2 * 8/2018 Kwon G01N 21/13

(73) Assignee: **SAMYOUNG S&C CO., LTD.**,
Seongnam-si, Gyeonggi-Do (KR)

* cited by examiner

(**) Term: **15 Years**

Primary Examiner — Antoine Duval Davis

(21) Appl. No.: **29/672,989**

(74) *Attorney, Agent, or Firm* — D'Ambrosio & Menon, PLLC; Usha Menon

(22) Filed: **Dec. 11, 2018**

(57) **CLAIM**

The ornamental design for a dust sensor, as shown and described.

(30) **Foreign Application Priority Data**

DESCRIPTION

Jun. 11, 2018 (KR) 30-2018-0026847

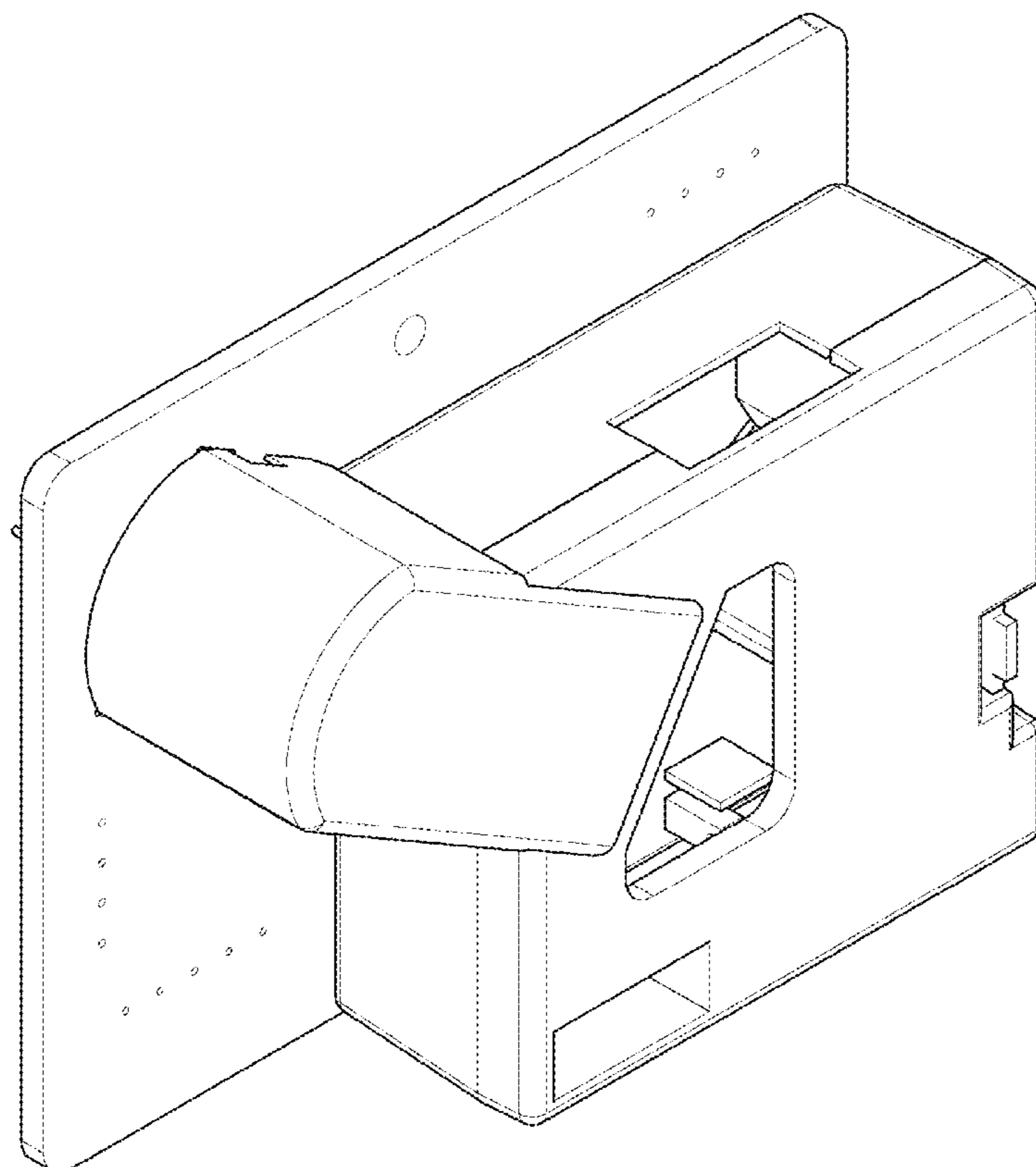
(51) **LOC (12) Cl.** **10-04**

(52) **U.S. Cl.**
USPC **D10/52**

(58) **Field of Classification Search**
USPC D10/52
CPC .. G01N 33/007; G01N 15/06; G01N 15/1459;
G01N 15/1429; G01N 33/0062; G01N
2015/0046; G01N 2015/1486; G01N
2015/0693; G01N 21/13; G01N 21/15;
G01N 2021/152; G01N 21/53; G01N

FIG. 1.1 is a perspective view of a dust sensor showing our new design;
FIG. 1.2 is a front view thereof;
FIG. 1.3 is a rear view thereof;
FIG. 1.4 is a left side view thereof;
FIG. 1.5 is a right side view thereof;
FIG. 1.6 is a top plan view thereof; and,
FIG. 1.7 is a bottom plan view thereof.

1 Claim, 7 Drawing Sheets



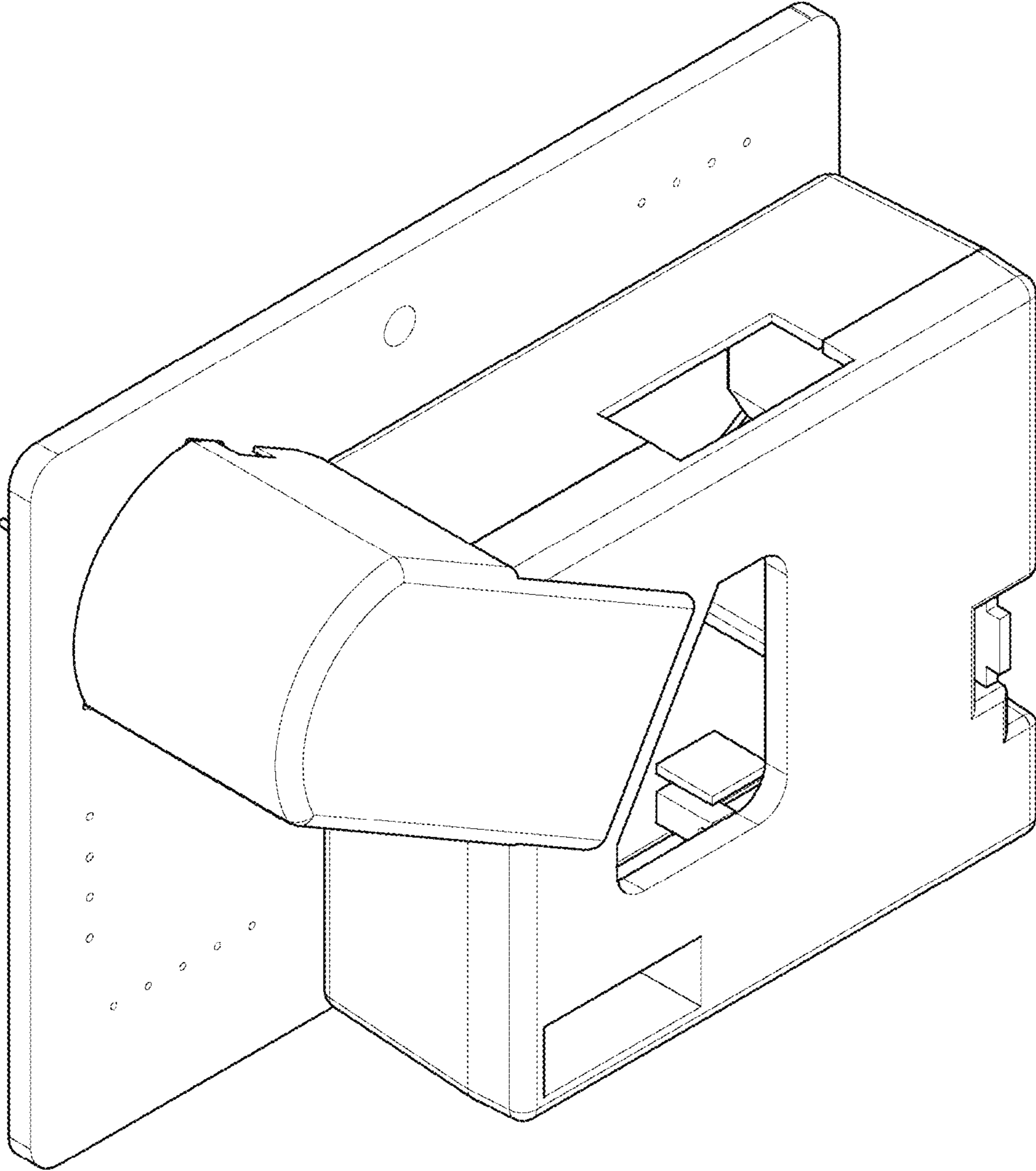


FIG. 1.1

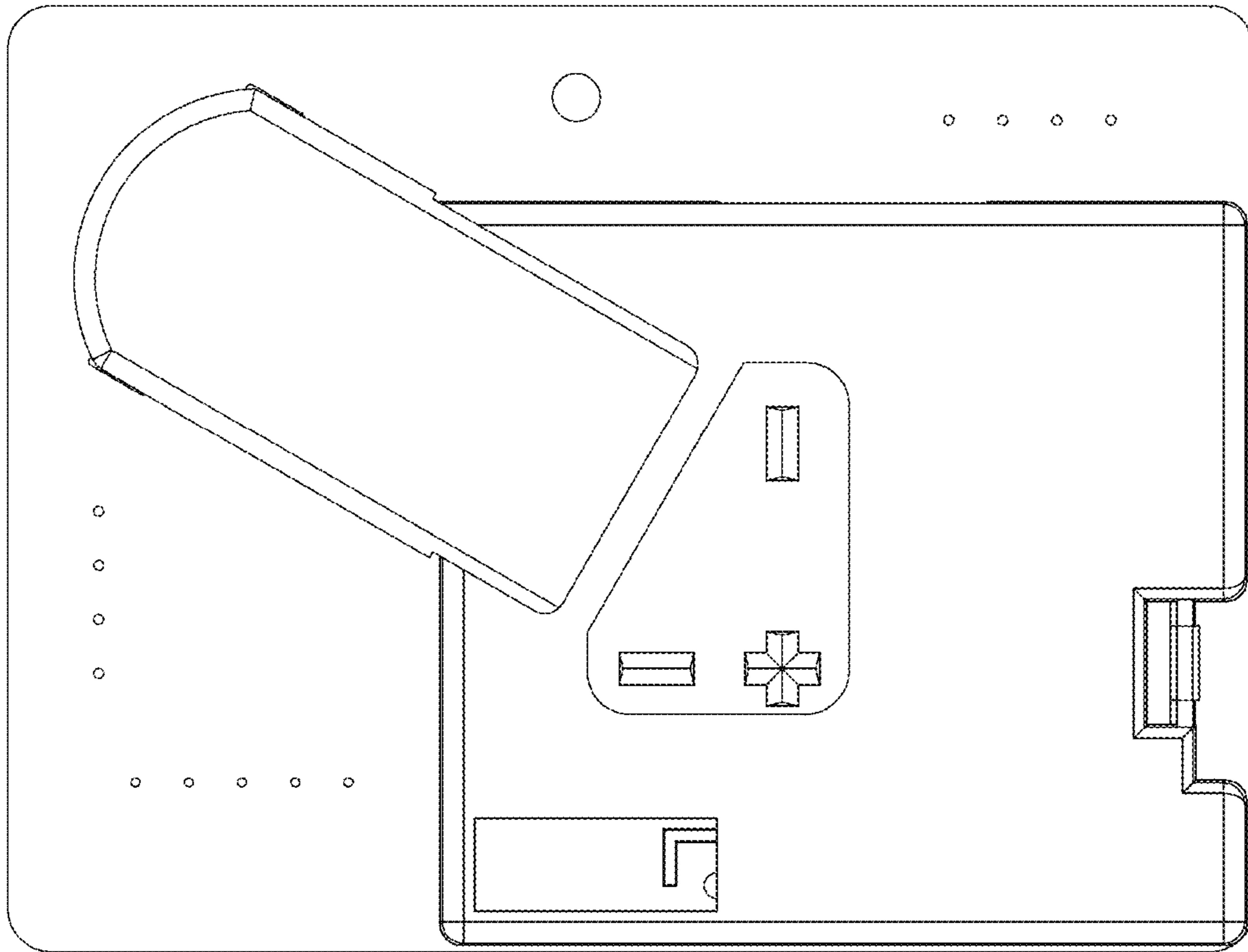


FIG. 1.2

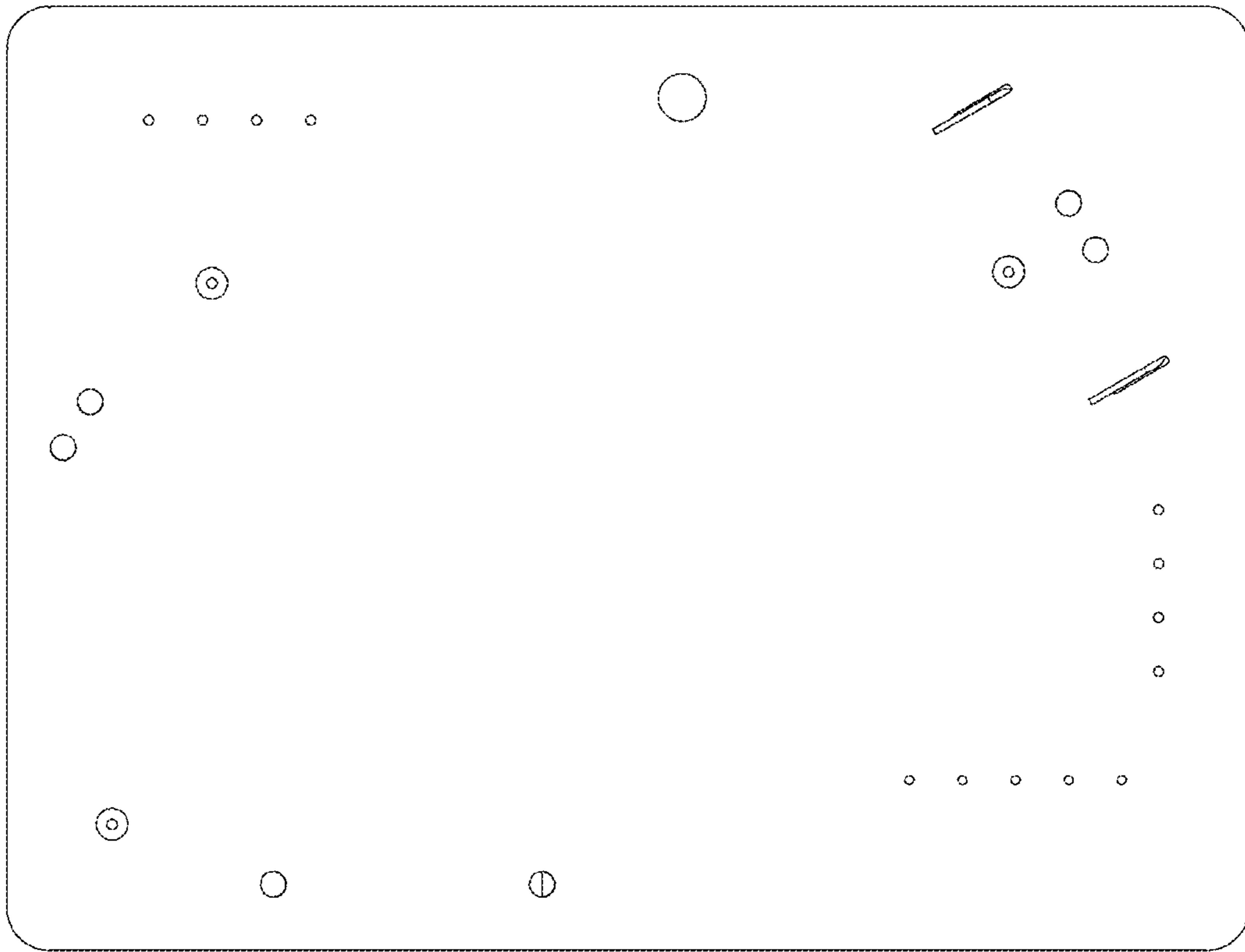


FIG. 1.3

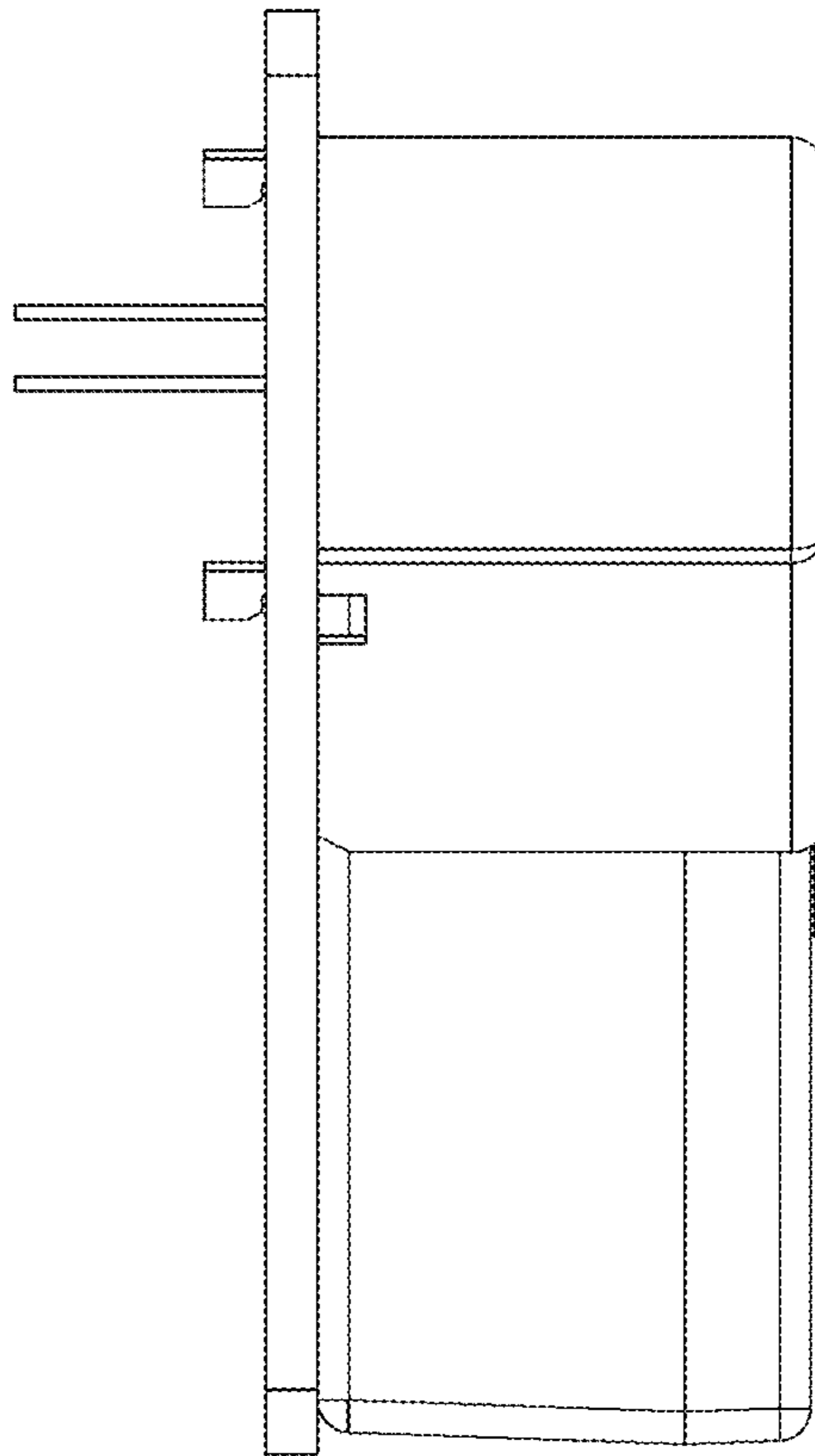


FIG. 1.4

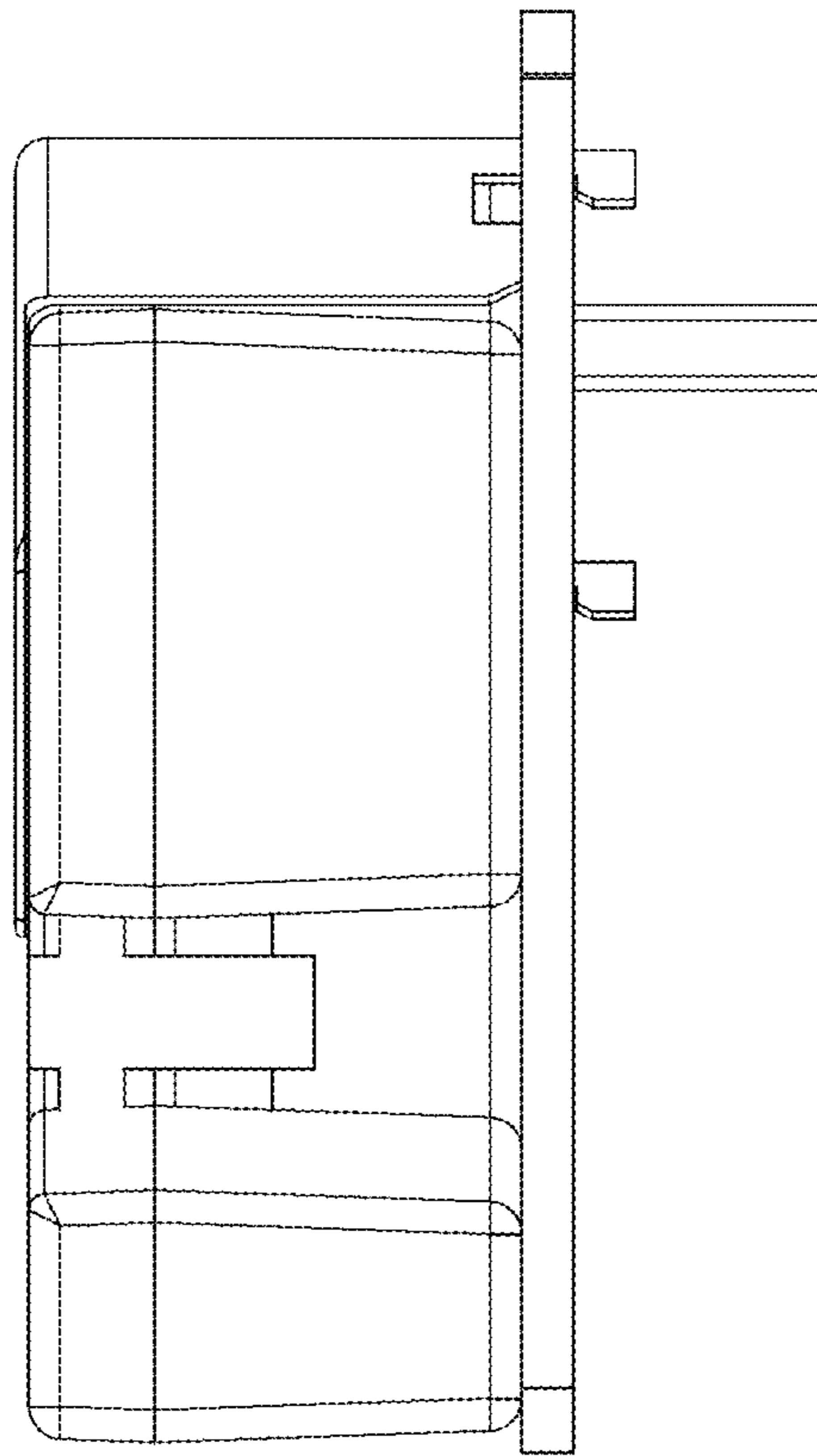


FIG. 1.5

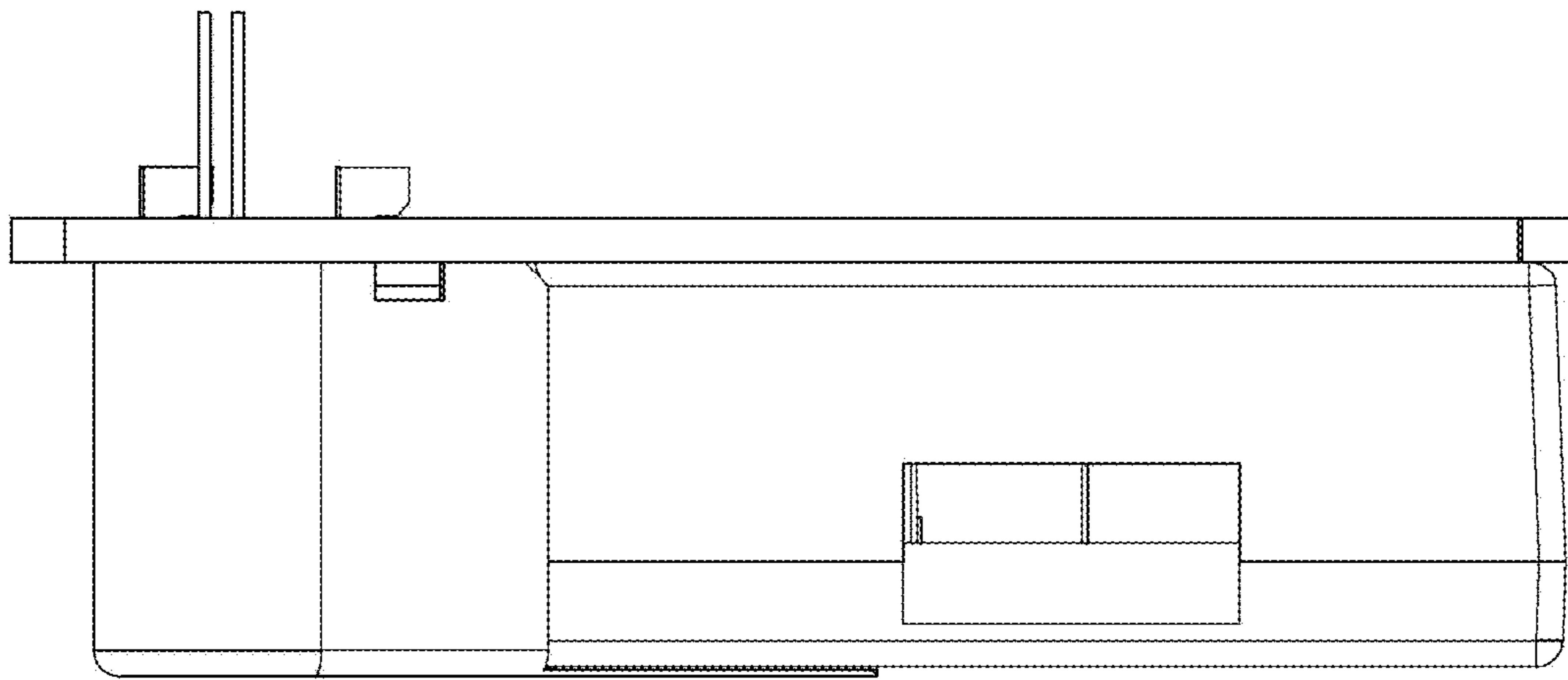


FIG. 1.6

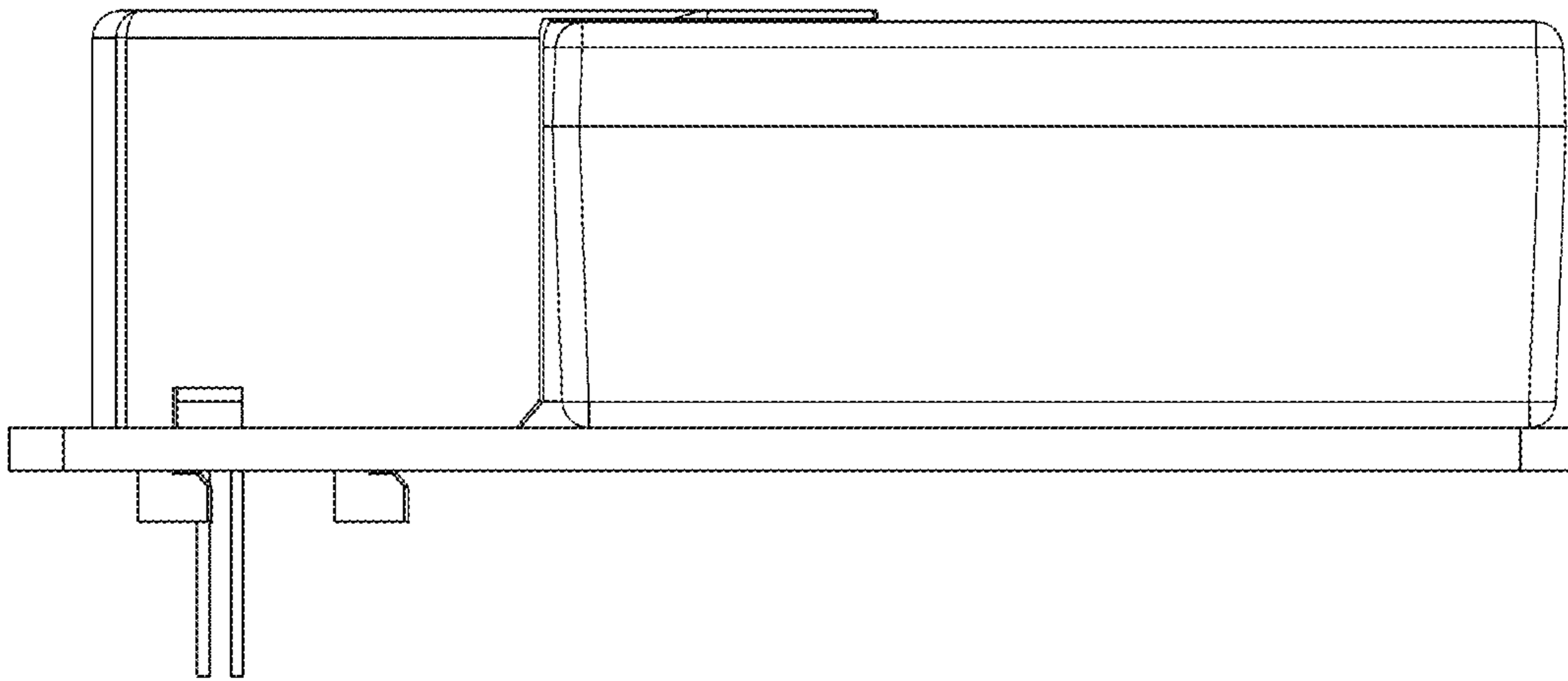


FIG. 1.7