



US00D886646S

(12) **United States Design Patent**
Bennett

(10) **Patent No.:** **US D886,646 S**
(45) **Date of Patent:** **** Jun. 9, 2020**

(54) **SCORING OR BEVERAGE STATION FOR A TOSS GAME**

(71) Applicant: **Matthew G. Bennett**, New Berlin, WI (US)

(72) Inventor: **Matthew G. Bennett**, New Berlin, WI (US)

(**) Term: **15 Years**

(21) Appl. No.: **29/643,450**

(22) Filed: **Apr. 9, 2018**

(51) **LOC (12) Cl.** **21-01**

(52) **U.S. Cl.**
USPC **D10/46.1**

(58) **Field of Classification Search**
USPC D8/395; D10/46, 46.1; D19/65, 86; D21/799.1; D28/40
CPC A63F 11/0051; A63F 11/0053; A63F 11/0055; A63F 11/0058; A63B 71/06; A63B 71/0608; A63B 71/0619; A63B 71/0669; A63B 71/0672; A63B 71/0694
See application file for complete search history.

(56) **References Cited**

U.S. PATENT DOCUMENTS

- D97,818 S * 12/1935 Mitchell D10/46
- 3,760,974 A * 9/1973 Oglesbee A47G 23/0208
206/427
- D264,445 S * 5/1982 Spivey D10/46.1
- D311,048 S * 10/1990 Myrtle A63B 71/0672
D21/799.1
- 5,025,748 A * 6/1991 Pettis A63B 71/0672
116/222
- D518,390 S * 4/2006 Poffenberger D10/46.1

- D587,540 S * 3/2009 Klump A47G 25/0671
D7/701
- D587,541 S * 3/2009 Klump D7/701
- 8,201,794 B1 * 6/2012 Pesola A45F 3/44
248/311.2
- D673,015 S * 12/2012 Durnell D7/702
- 2007/0175848 A1 * 8/2007 Mallen A47G 25/0671
211/196

* cited by examiner

Primary Examiner — George D. Kirschbaum
Assistant Examiner — Joseph J Kukella
(74) *Attorney, Agent, or Firm* — Lawrence S. Pope

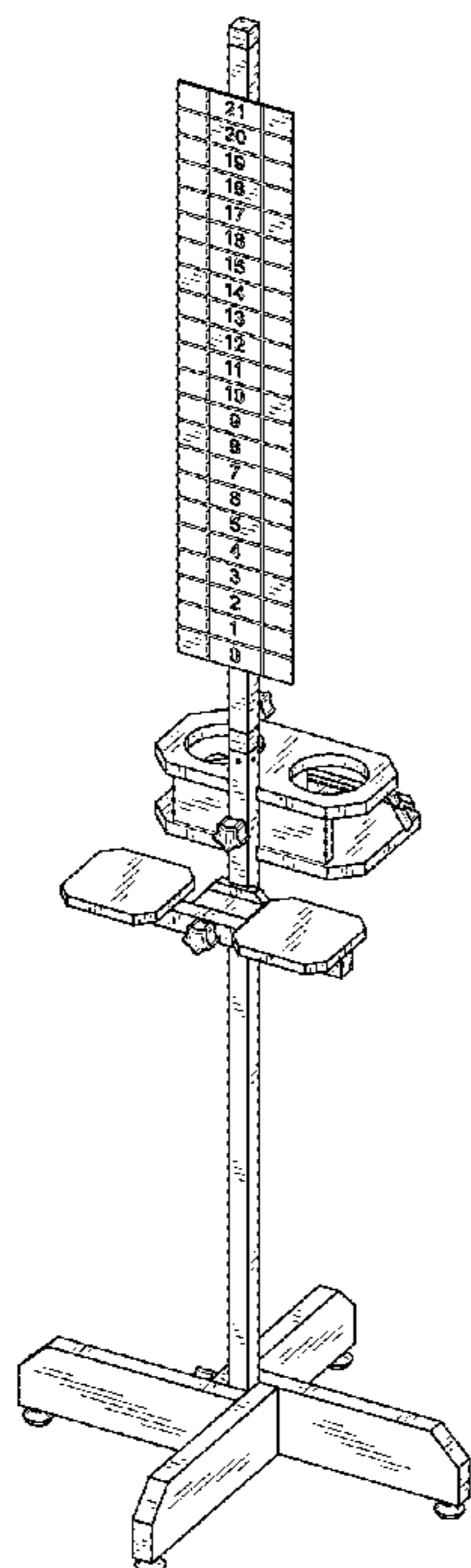
(57) **CLAIM**

I claim the ornamental design for a scoring or beverage station for a toss game, as shown and described.

DESCRIPTION

- FIG. 1 is a front perspective view of the station according to the invention.
- FIG. 2 is a front elevation of the station according to the invention.
- FIG. 3 is a rear elevation of the station according to the invention.
- FIG. 4 is a side elevation of the station according to the invention.
- FIG. 5 is a side elevation of the station according to the invention.
- FIG. 6 is a top plan view of the station according to the invention; and,
- FIG. 7 is a bottom plan view of the station according to the invention.

1 Claim, 4 Drawing Sheets



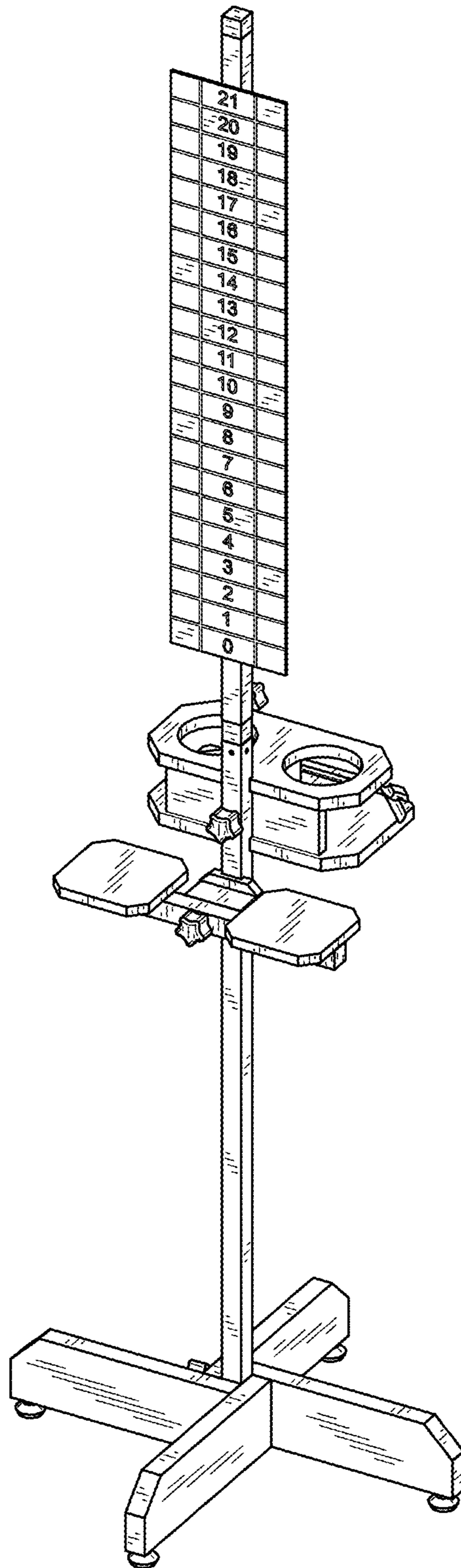


FIG. 1

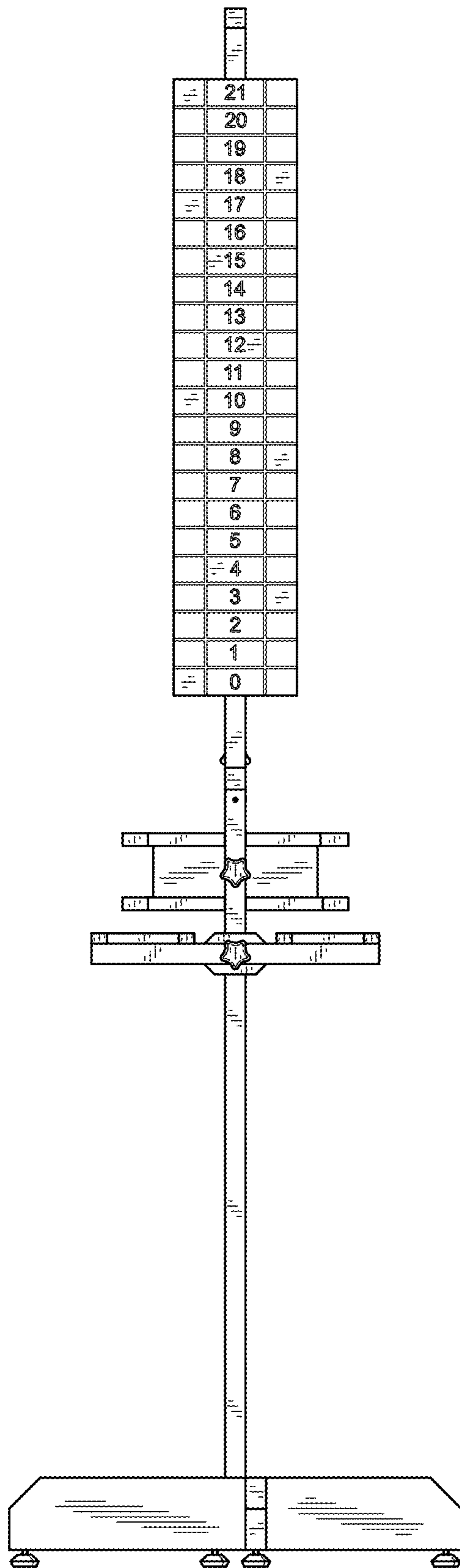


FIG. 2

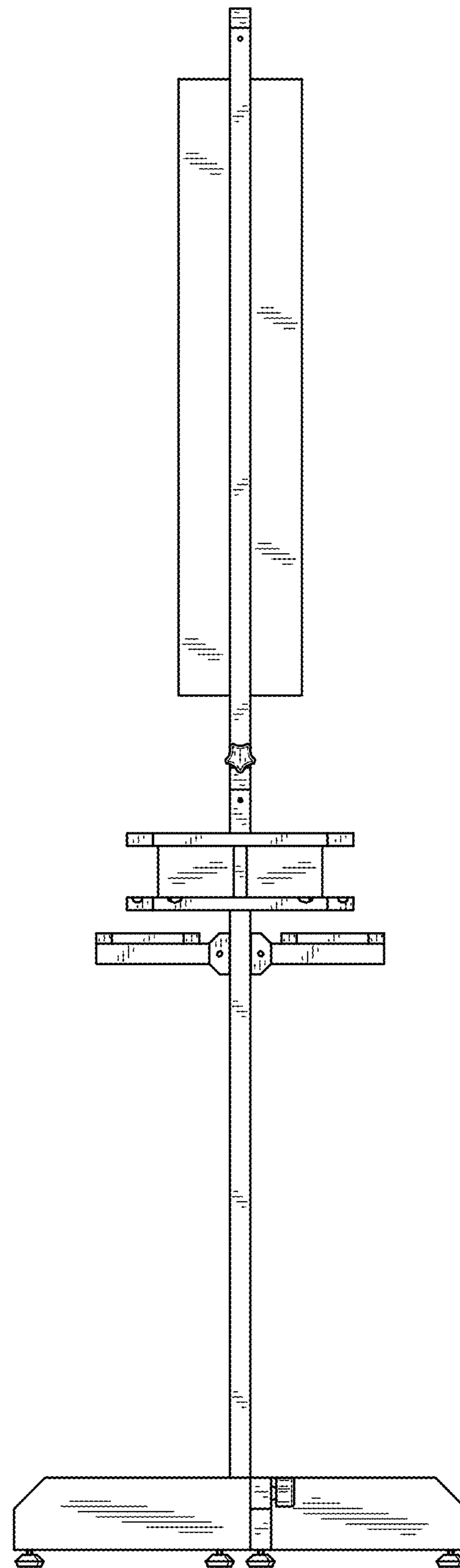


FIG. 3

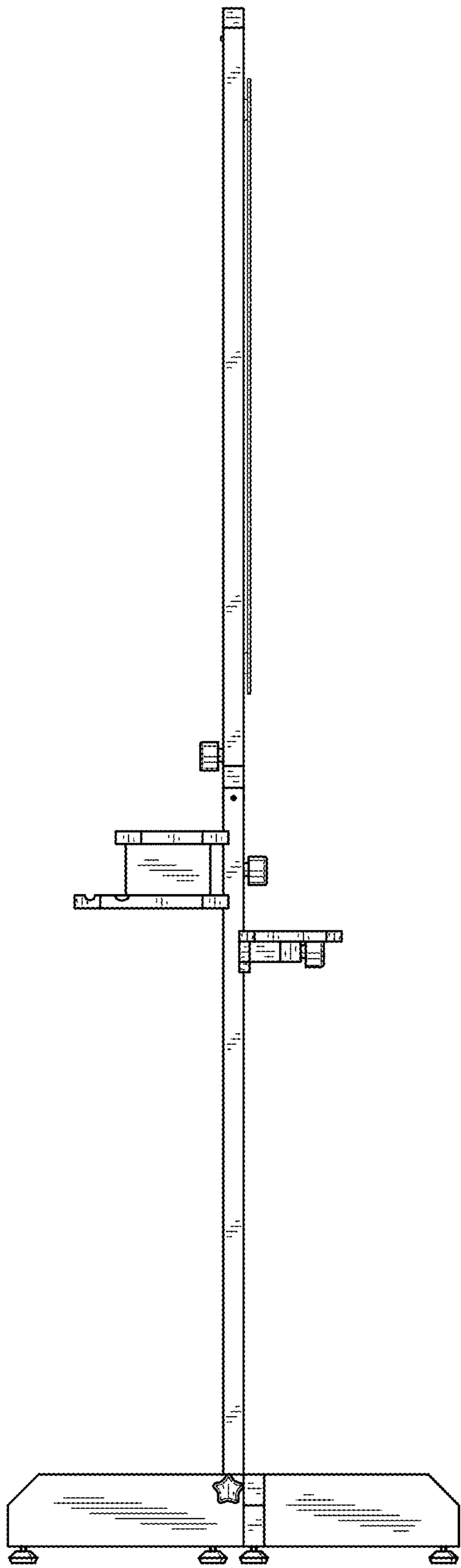


FIG. 4

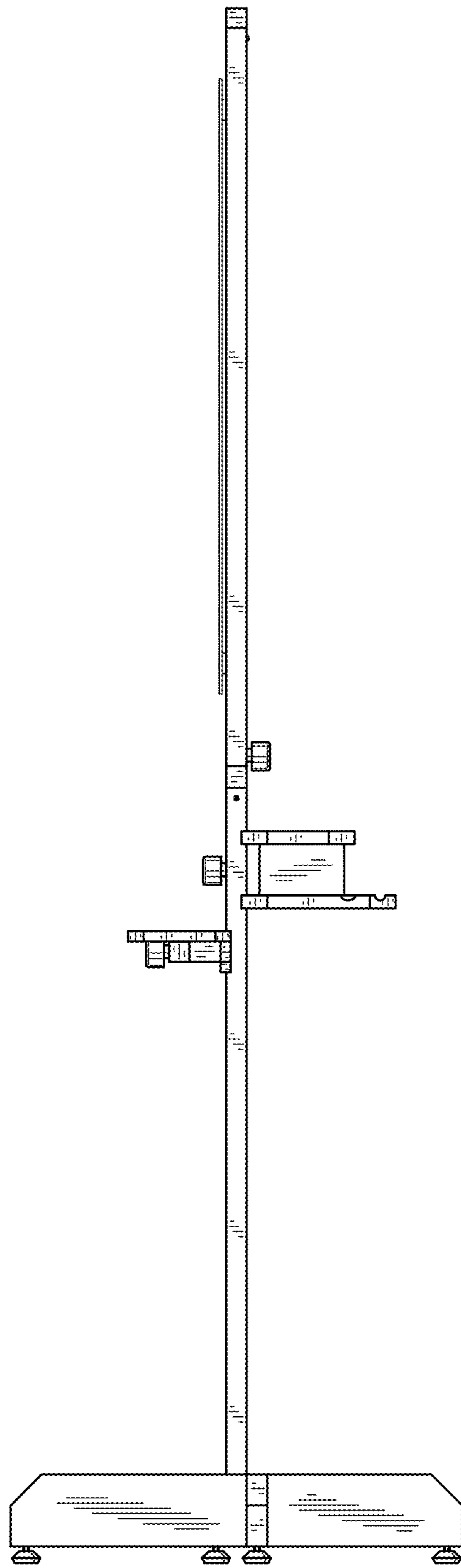


FIG. 5

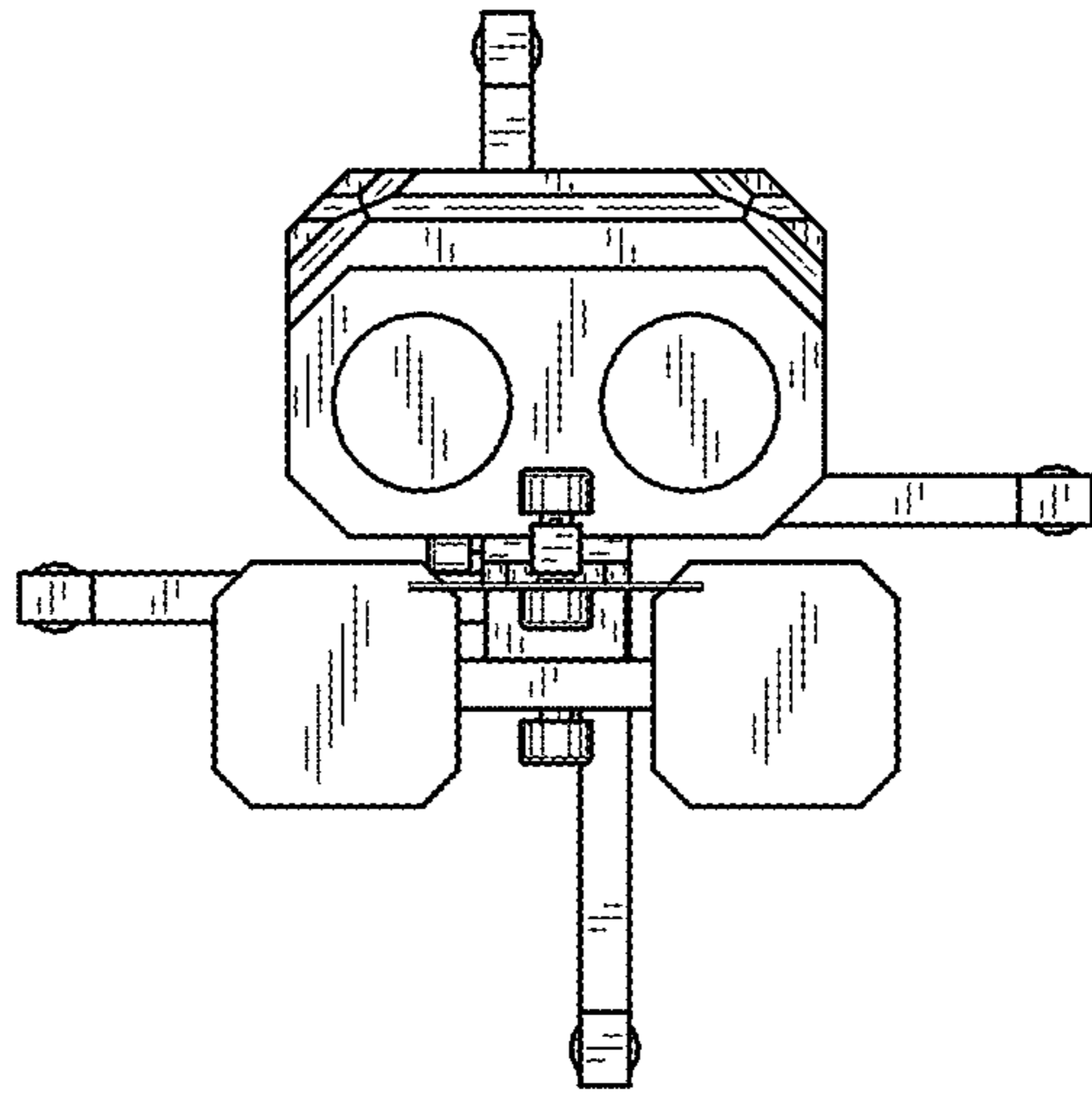


FIG. 6

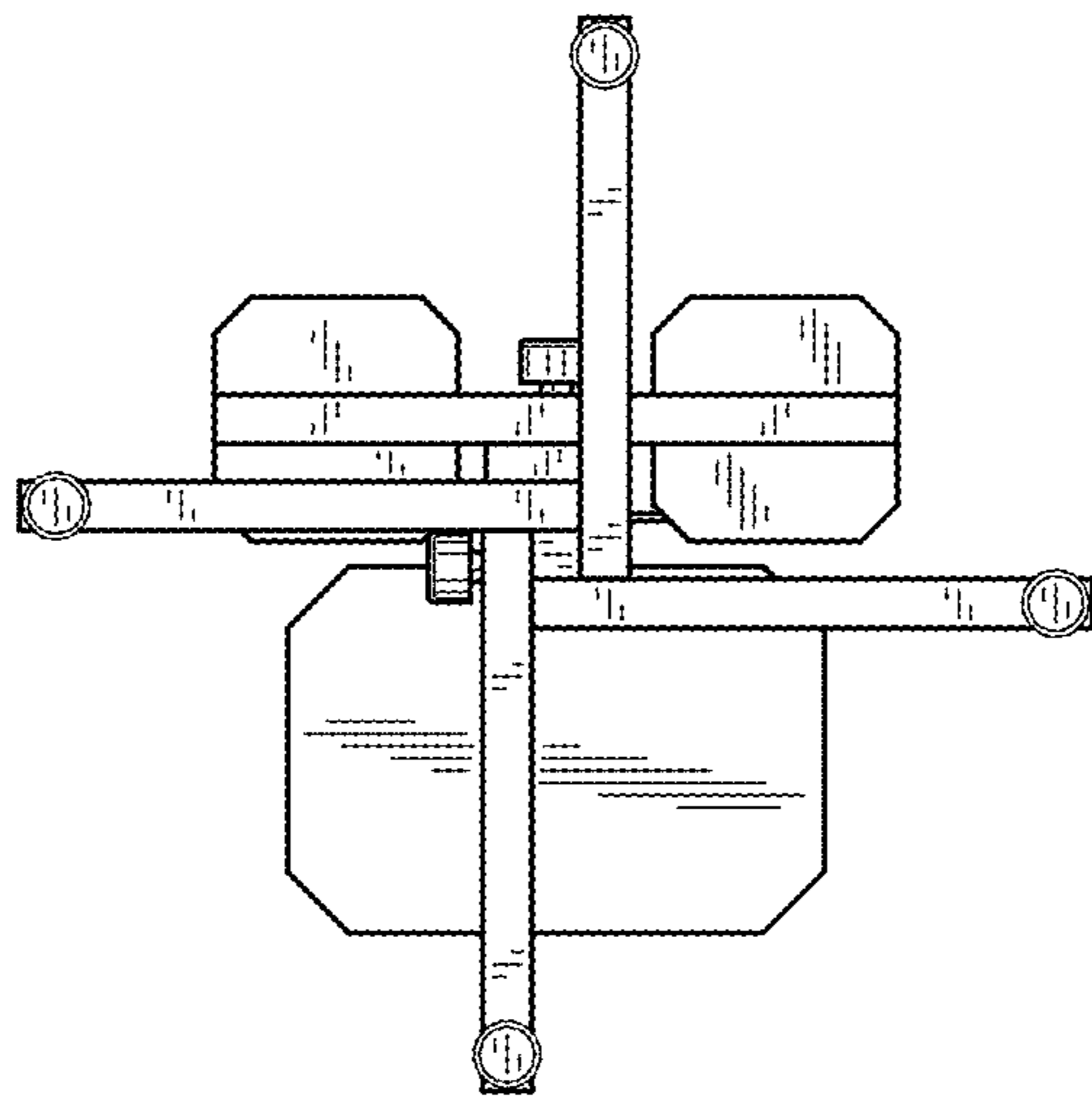


FIG. 7