



US00D886645S

(12) **United States Design Patent**  
**Chen**

(10) **Patent No.:** **US D886,645 S**  
(45) **Date of Patent:** **\*\* Jun. 9, 2020**

(54) **HOSE FLOW CONTROL**

(71) Applicant: **SHIN TAI SPURT WATER OF THE GARDEN TOOLS CO., LTD.,**  
Lu-Kang Town, Chang-Hua Hsien (TW)

(72) Inventor: **Chin-Yuan Chen,** Chang-Hua Hsien (TW)

(73) Assignee: **SHIN TAI SPURT WATER OF THE GARDEN TOOLS CO., LTD.,**  
Chang-Hua Hsien (TW)

(\*\*) Term: **15 Years**

(21) Appl. No.: **29/703,408**

(22) Filed: **Aug. 27, 2019**

(51) **LOC (12) Cl.** ..... **10-03**

(52) **U.S. Cl.**  
USPC ..... **D10/40**

(58) **Field of Classification Search**  
USPC ..... D23/233, 235, 241, 245, 246, 249;  
137/624.11, 624.12, 624.21, 624.22,  
137/624.18, 624.13, 624.15, 883;  
D10/40, 46, 49, 50

CPC ..... B05B 1/3013; B05B 9/01; F16K 1/526;  
F16K 5/12; B67D 7/08

See application file for complete search history.

(56) **References Cited**

**U.S. PATENT DOCUMENTS**

D567,680 S \* 4/2008 Michael ..... D10/40  
D567,681 S \* 4/2008 Michael ..... D10/40

D657,263 S \* 4/2012 Nies ..... D10/40  
D657,264 S \* 4/2012 Nies ..... D10/40  
D682,714 S \* 5/2013 Barton ..... D10/40  
D691,243 S \* 10/2013 Meyer ..... D23/245  
D702,566 S \* 4/2014 Chandran ..... D23/245  
D713,271 S \* 9/2014 Ericksen ..... A01G 25/165  
D10/40

\* cited by examiner

*Primary Examiner* — Gino Colan

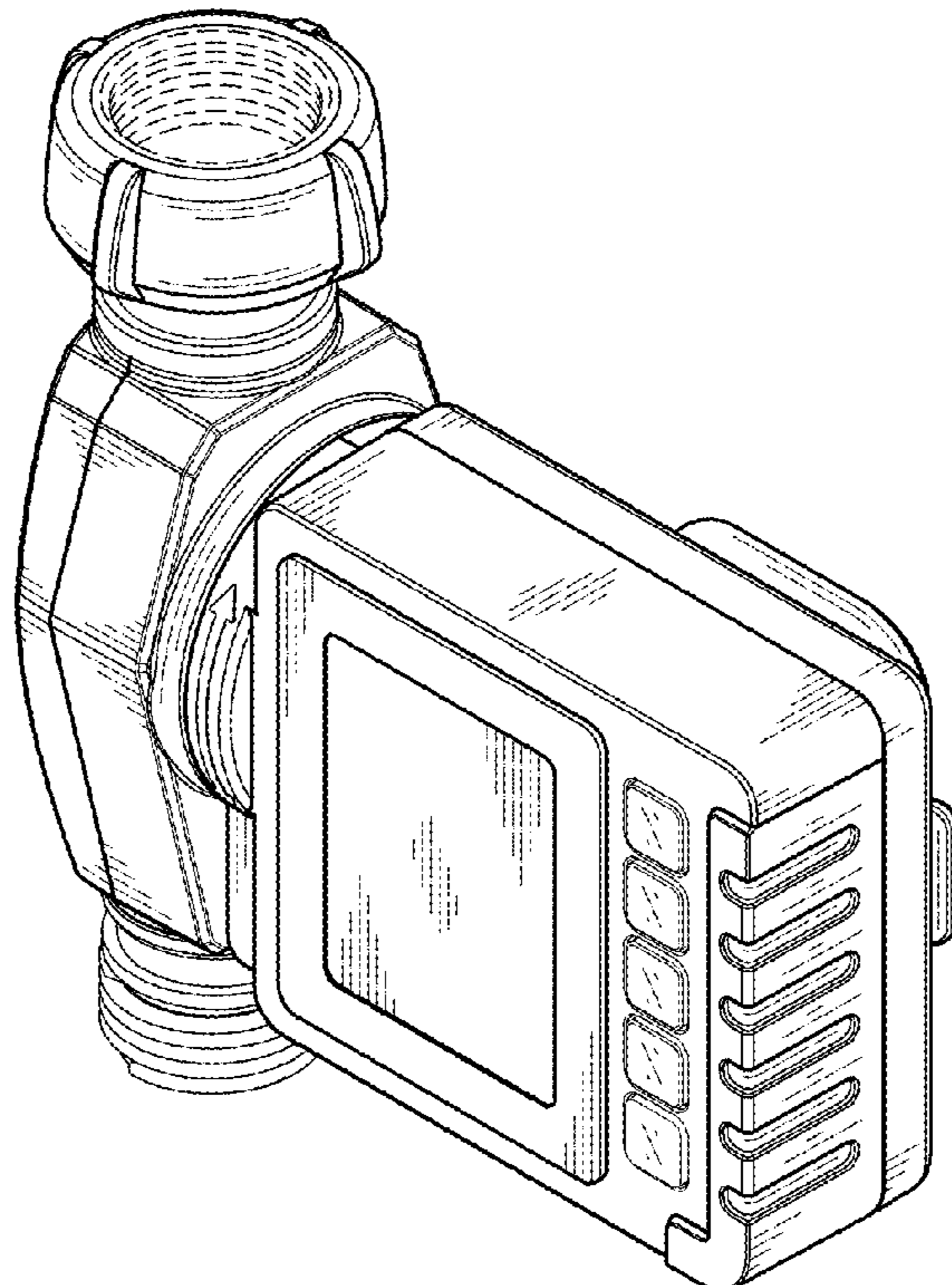
(57) **CLAIM**

The ornamental design for a hose flow control, as shown and described.

**DESCRIPTION**

FIG. 1 is a perspective view of a hose flow control showing my new design;  
FIG. 2 is a front elevational view thereof;  
FIG. 3 is a rear elevational view thereof;  
FIG. 4 is a left side elevational view thereof;  
FIG. 5 is a right side elevational view thereof;  
FIG. 6 is a top plan view thereof;  
FIG. 7 is a bottom plan view thereof; and,  
FIG. 8 is another perspective view thereof.  
The broken lines shown in the figures are for the purpose of illustrating portions of the hose flow control and form no part of the claimed design.

**1 Claim, 5 Drawing Sheets**



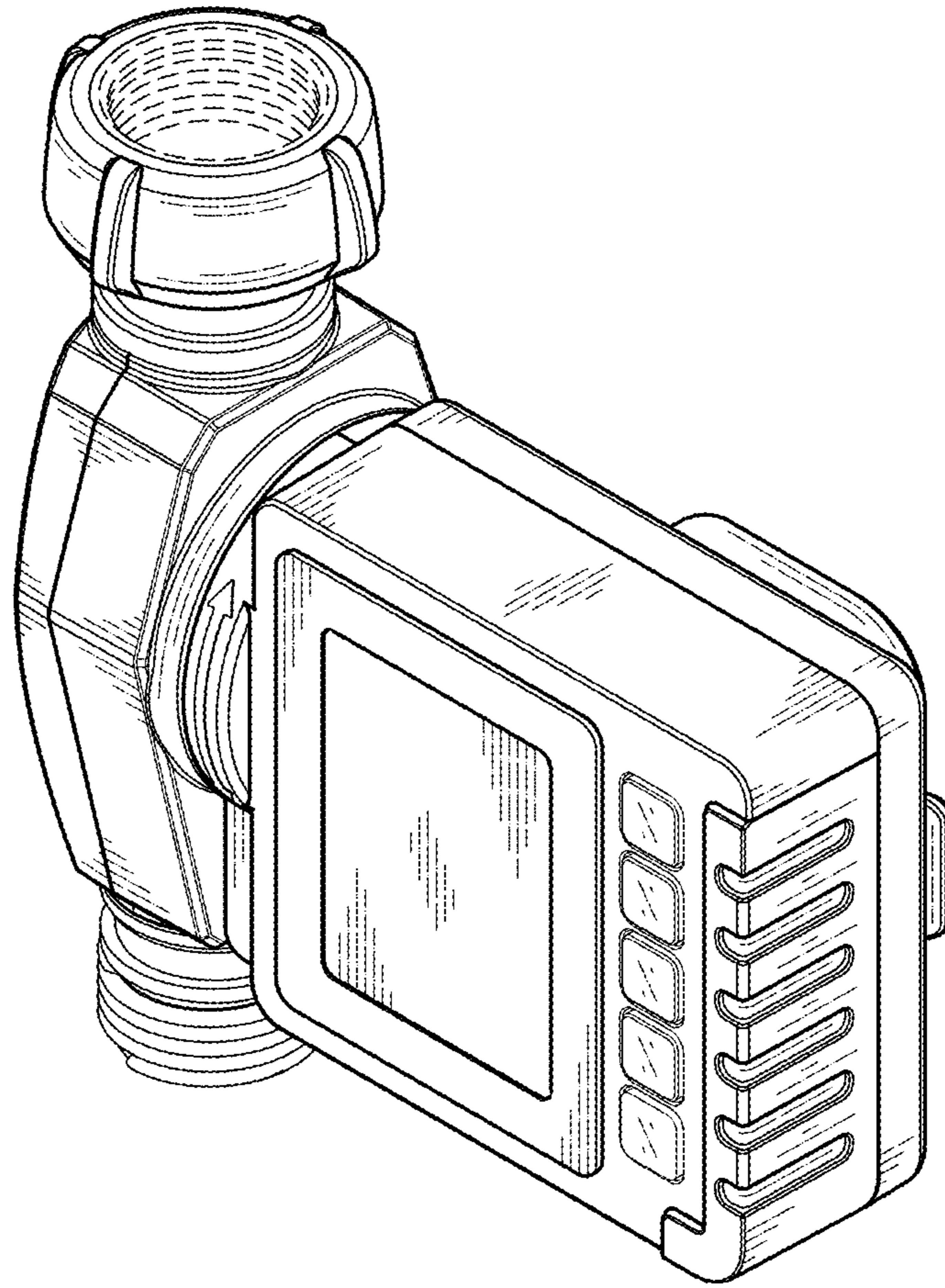


FIG.1

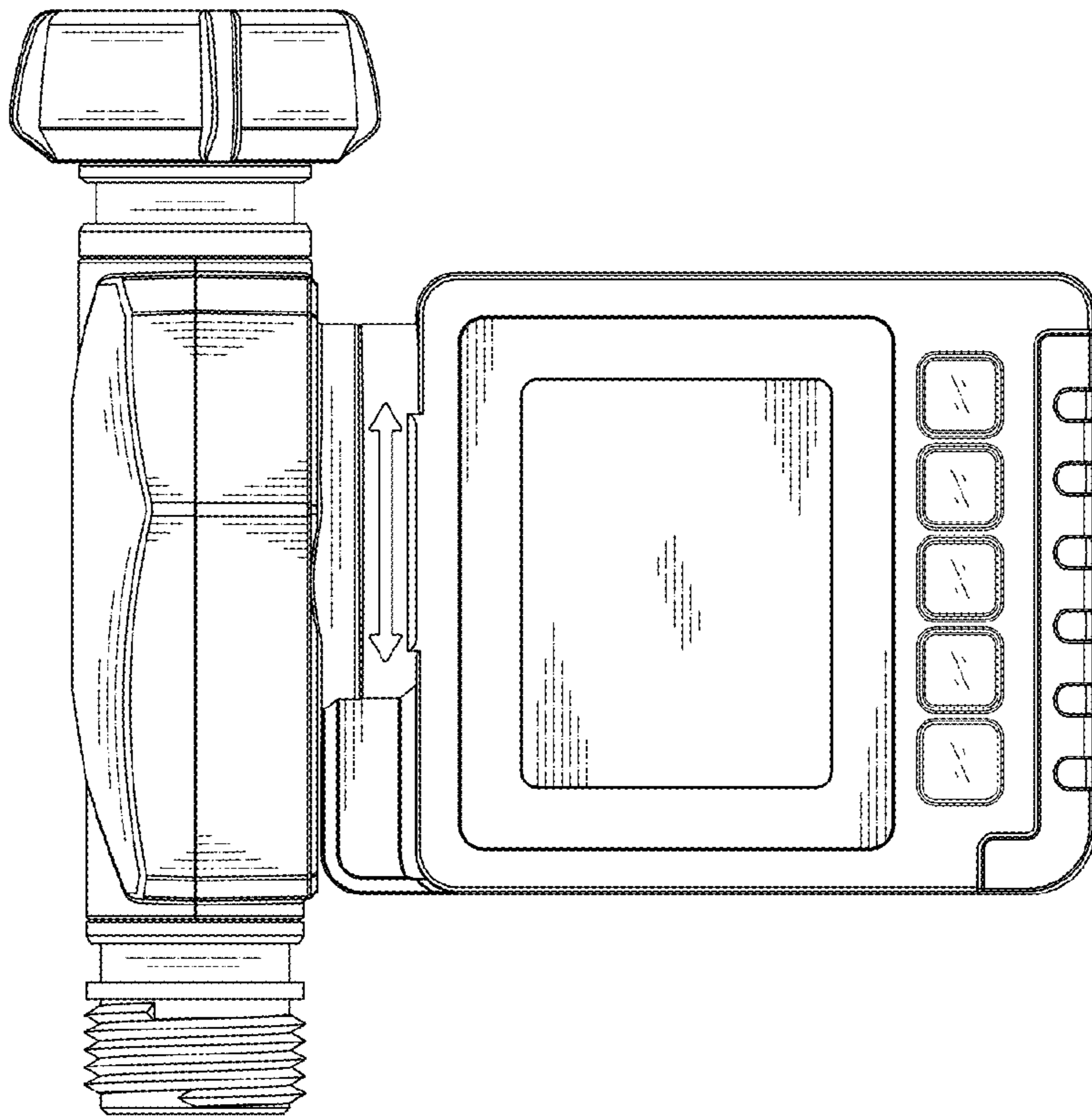


FIG. 2

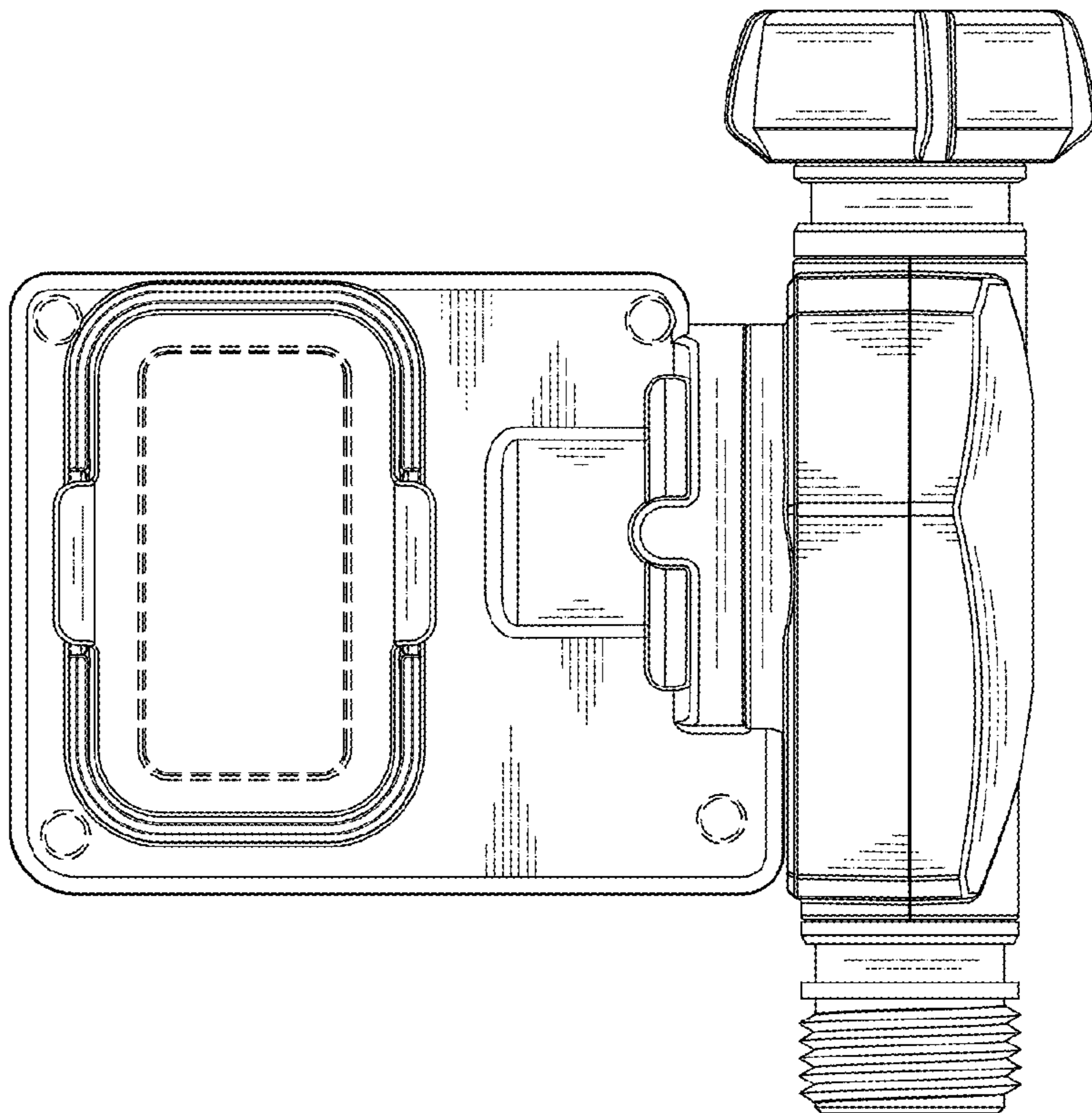


FIG. 3

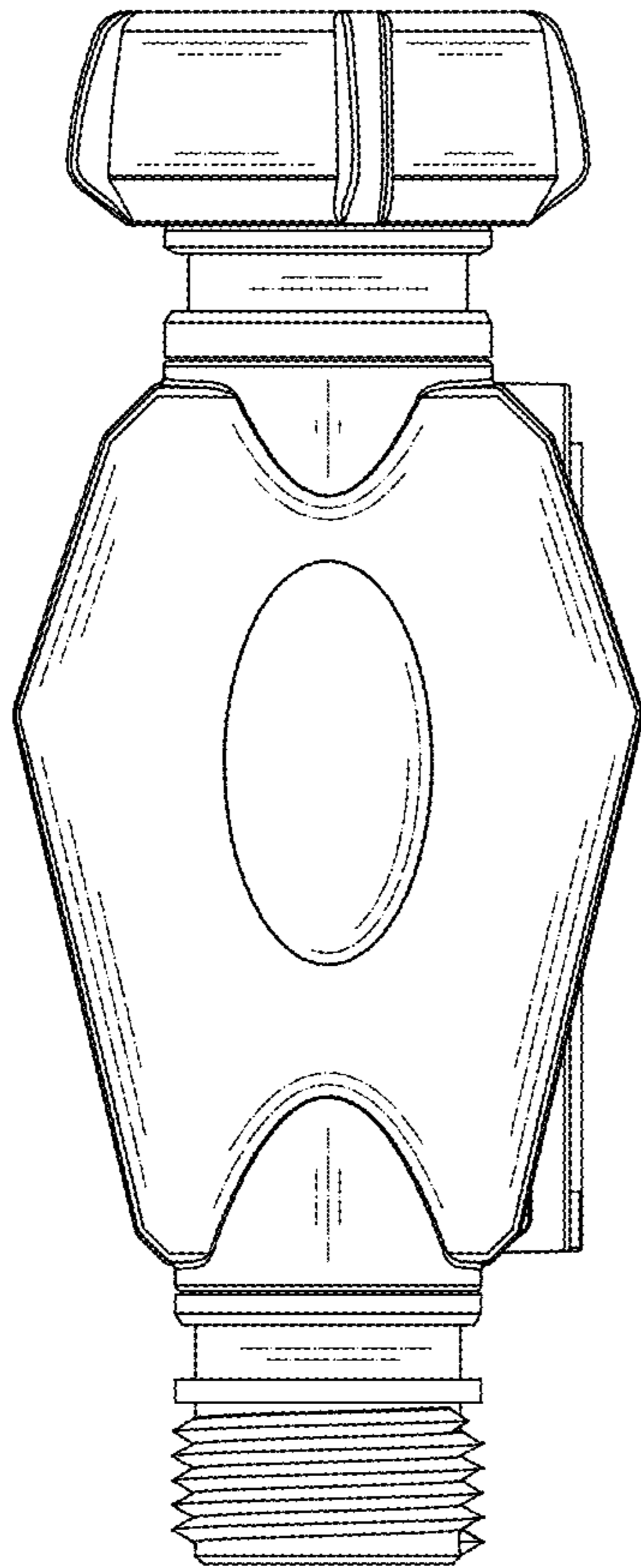


FIG. 4

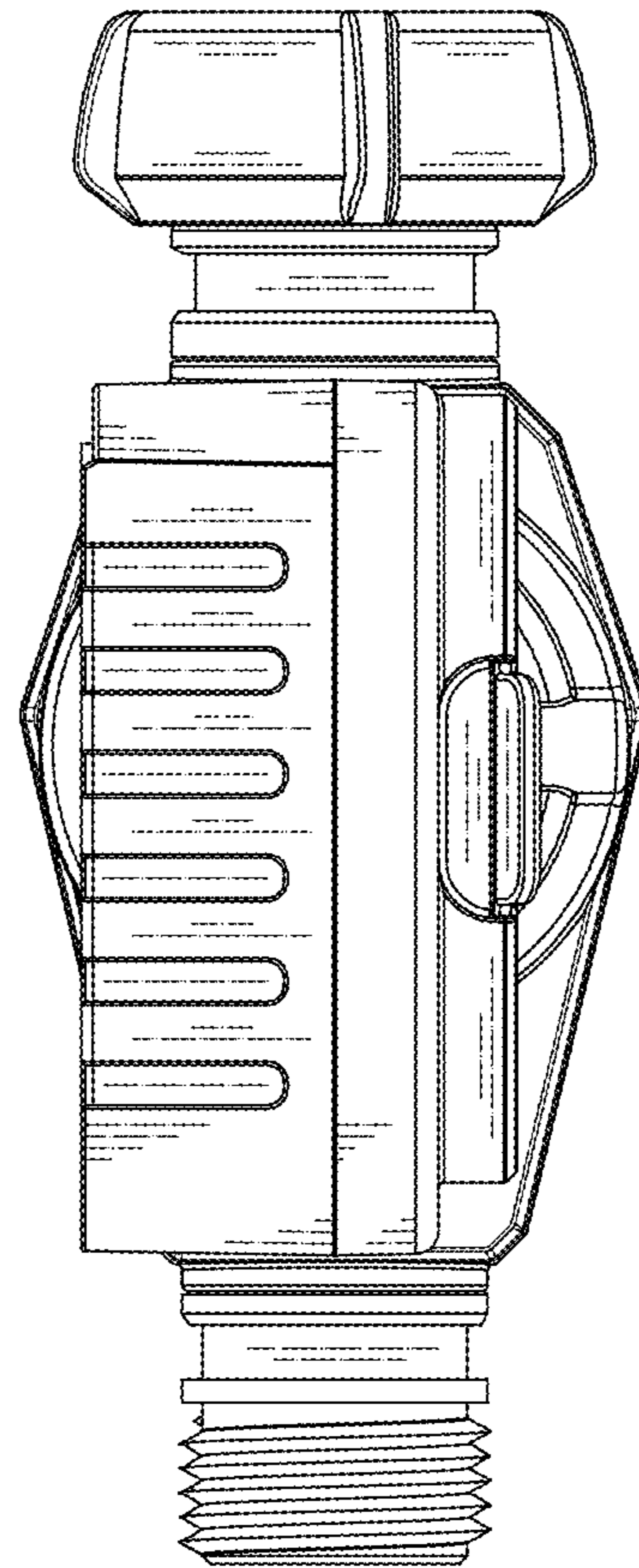


FIG. 5

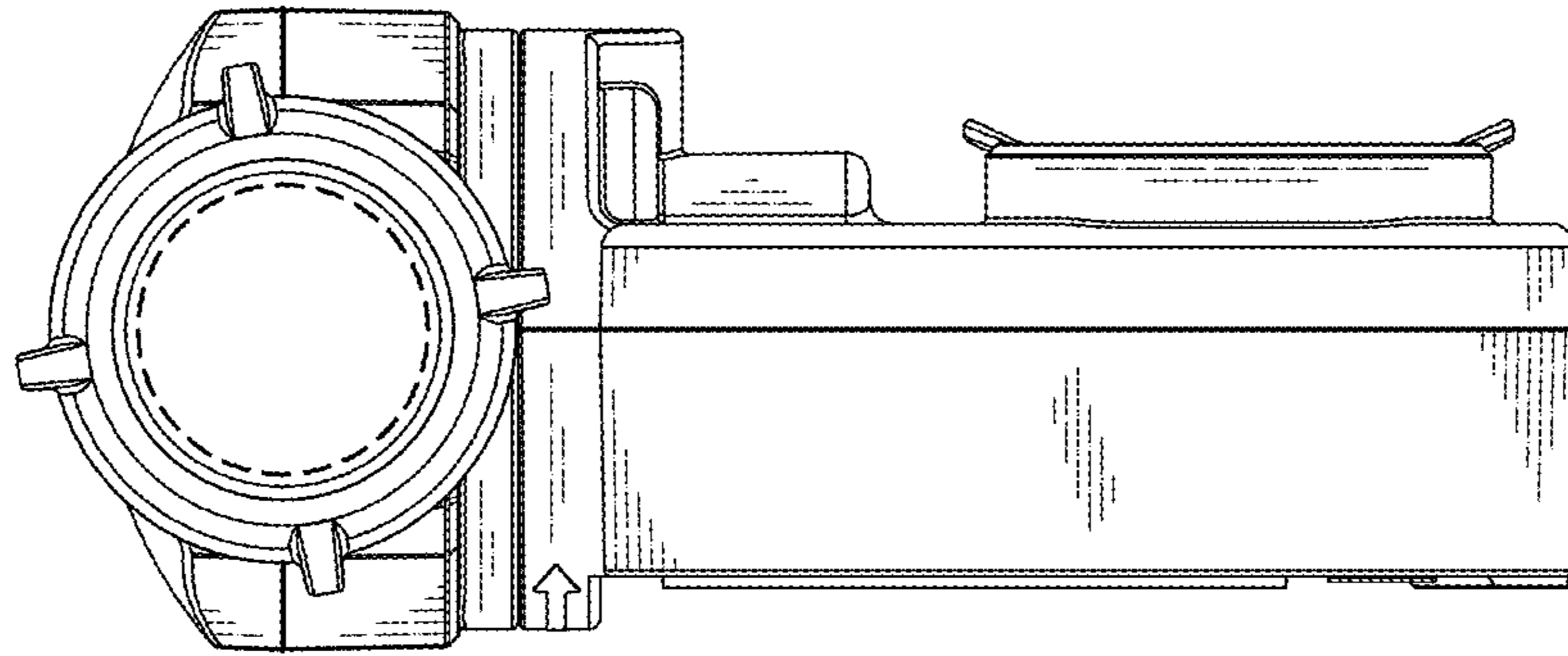


FIG.6

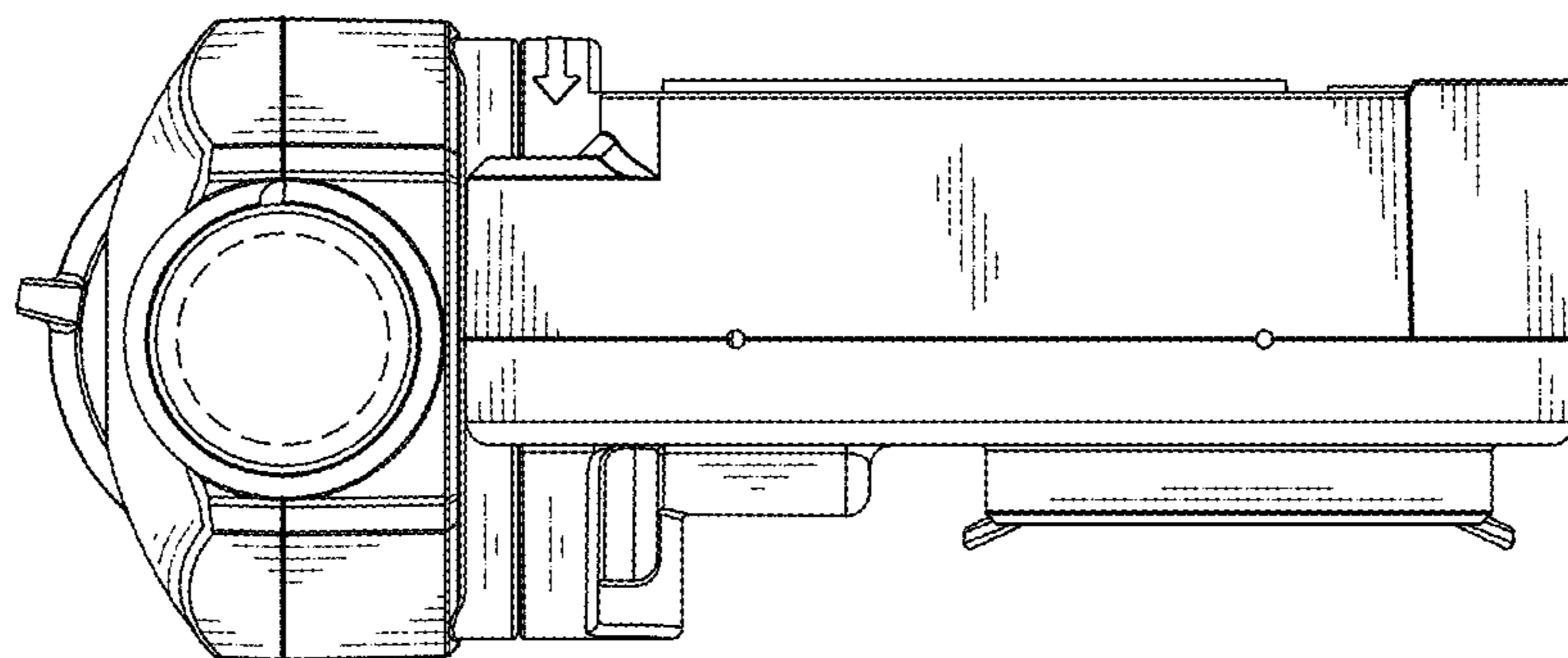


FIG.7

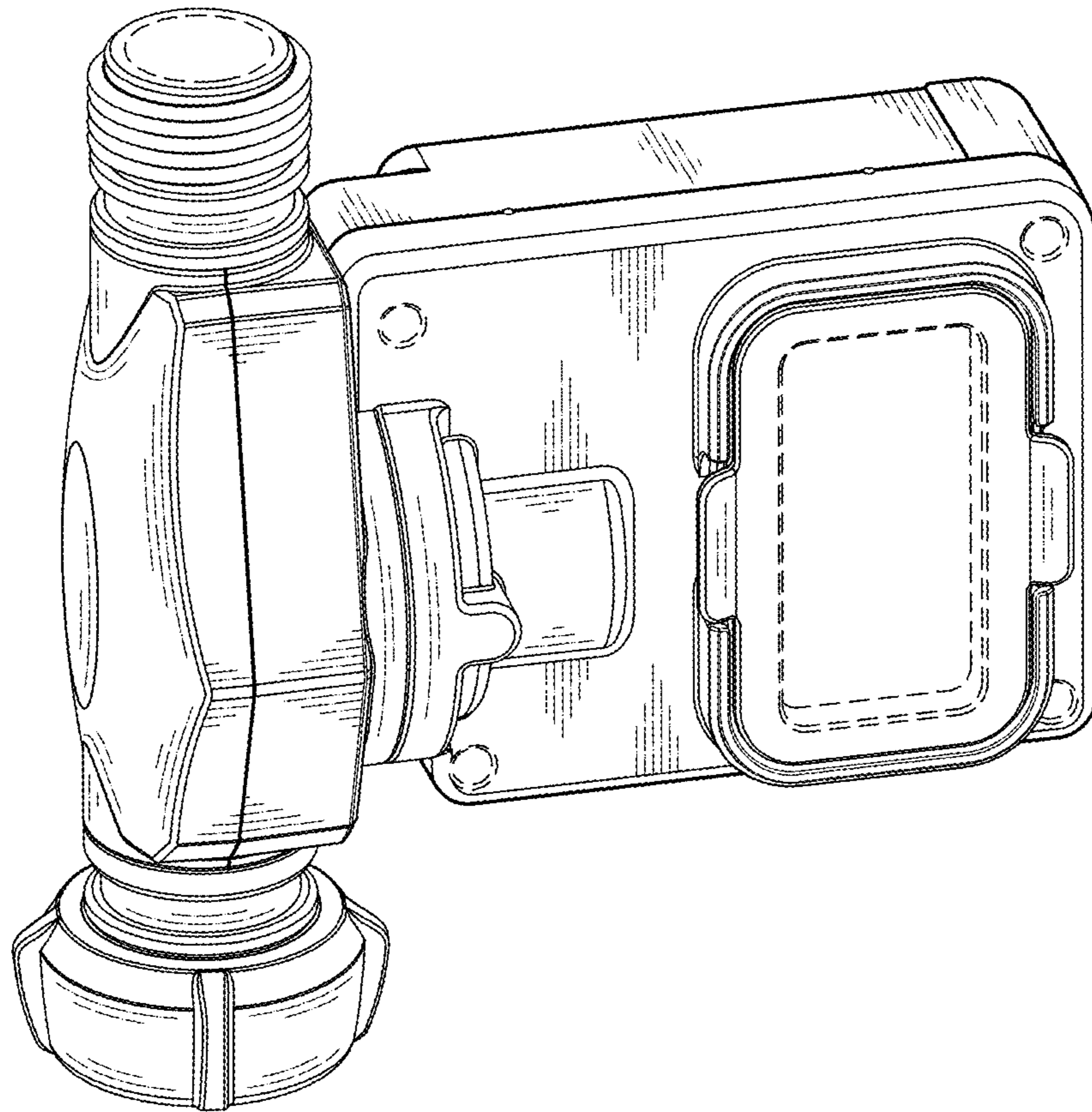


FIG.8