



US00D886644S

(12) **United States Design Patent**
Chen

(10) **Patent No.:** **US D886,644 S**
(45) **Date of Patent:** **** Jun. 9, 2020**

(54) **HOSE FLOW CONTROL**
(71) Applicant: **SHIN TAI SPURT WATER OF THE GARDEN TOOLS CO., LTD.,**
Lu-Kang Town, Chang-Hua Hsien (TW)

D657,263 S * 4/2012 Nies D10/40
D657,264 S * 4/2012 Nies D10/40
D682,714 S * 5/2013 Barton D10/40
D691,243 S * 10/2013 Meyer D23/245
D702,566 S * 4/2014 Chandran D23/245
D713,271 S * 9/2014 Ericksen A01G 25/165
D10/40

(72) Inventor: **Chin-Yuan Chen,** Chang-Hua Hsien (TW)

* cited by examiner

(73) Assignee: **SHIN TAI SPURT WATER OF THE GARDEN TOOLS CO., LTD.,**
Chang-Hua Hsien (TW)

Primary Examiner — Gino Colan

(**) Term: **15 Years**

(57) **CLAIM**

(21) Appl. No.: **29/673,868**

The ornamental design for a hose flow control, as shown and described.

(22) Filed: **Dec. 18, 2018**

(51) **LOC (12) Cl.** **10-03**

(52) **U.S. Cl.**
USPC **D10/40**

DESCRIPTION

(58) **Field of Classification Search**
USPC D23/233, 235, 241, 245, 246, 249;
137/624.11, 624.12, 624.21, 624.22,
137/624.18, 624.13, 624.15, 883;
D10/40, 46, 49, 50
CPC B05B 1/3013; B05B 9/01; F16K 1/526;
F16K 5/12; B67D 7/08
See application file for complete search history.

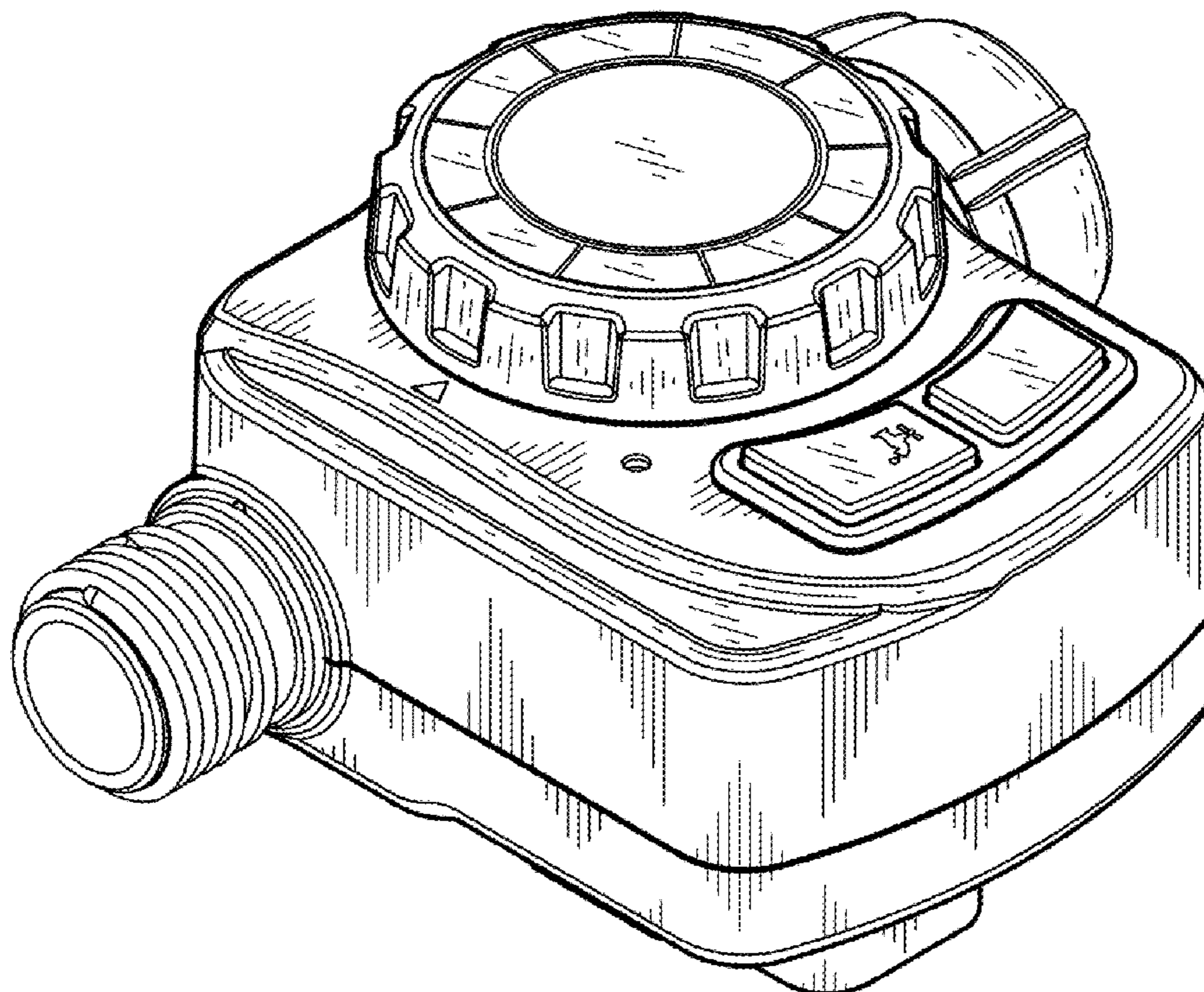
FIG. 1 is a perspective view of a hose flow control showing my new design;
FIG. 2 is a front elevational view thereof;
FIG. 3 is a rear elevational view thereof;
FIG. 4 is a left side elevational view thereof;
FIG. 5 is a right side elevational view thereof;
FIG. 6 is a top plan view thereof;
FIG. 7 is a bottom plan view thereof; and,
FIG. 8 is another perspective view thereof.
The broken lines shown in the figures are for the purpose of illustrating portions of the hose flow control and form no part of the claimed design.

(56) **References Cited**

U.S. PATENT DOCUMENTS

D567,680 S * 4/2008 Michael D10/40
D567,681 S * 4/2008 Michael D10/40

1 Claim, 5 Drawing Sheets



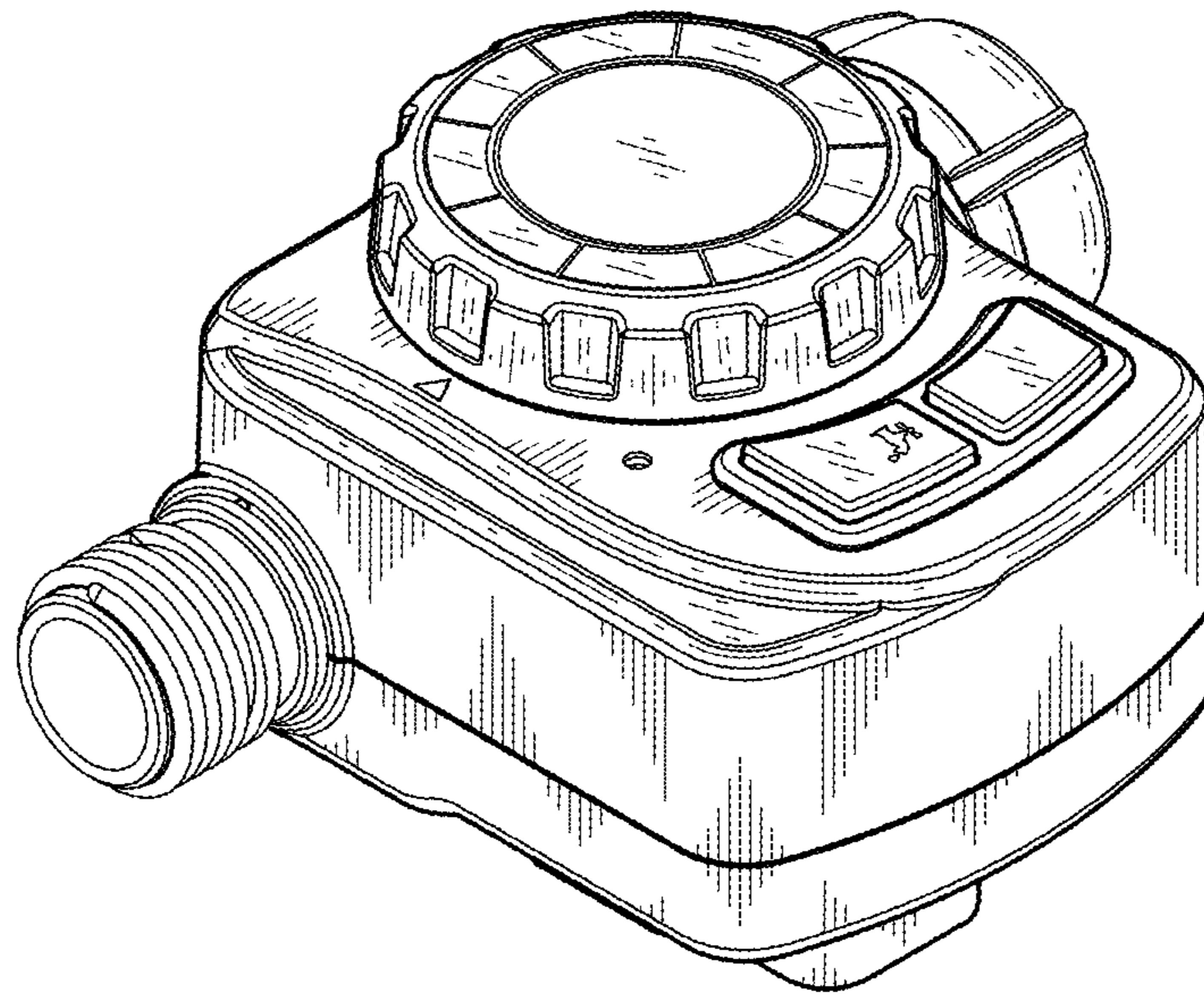


FIG. 1

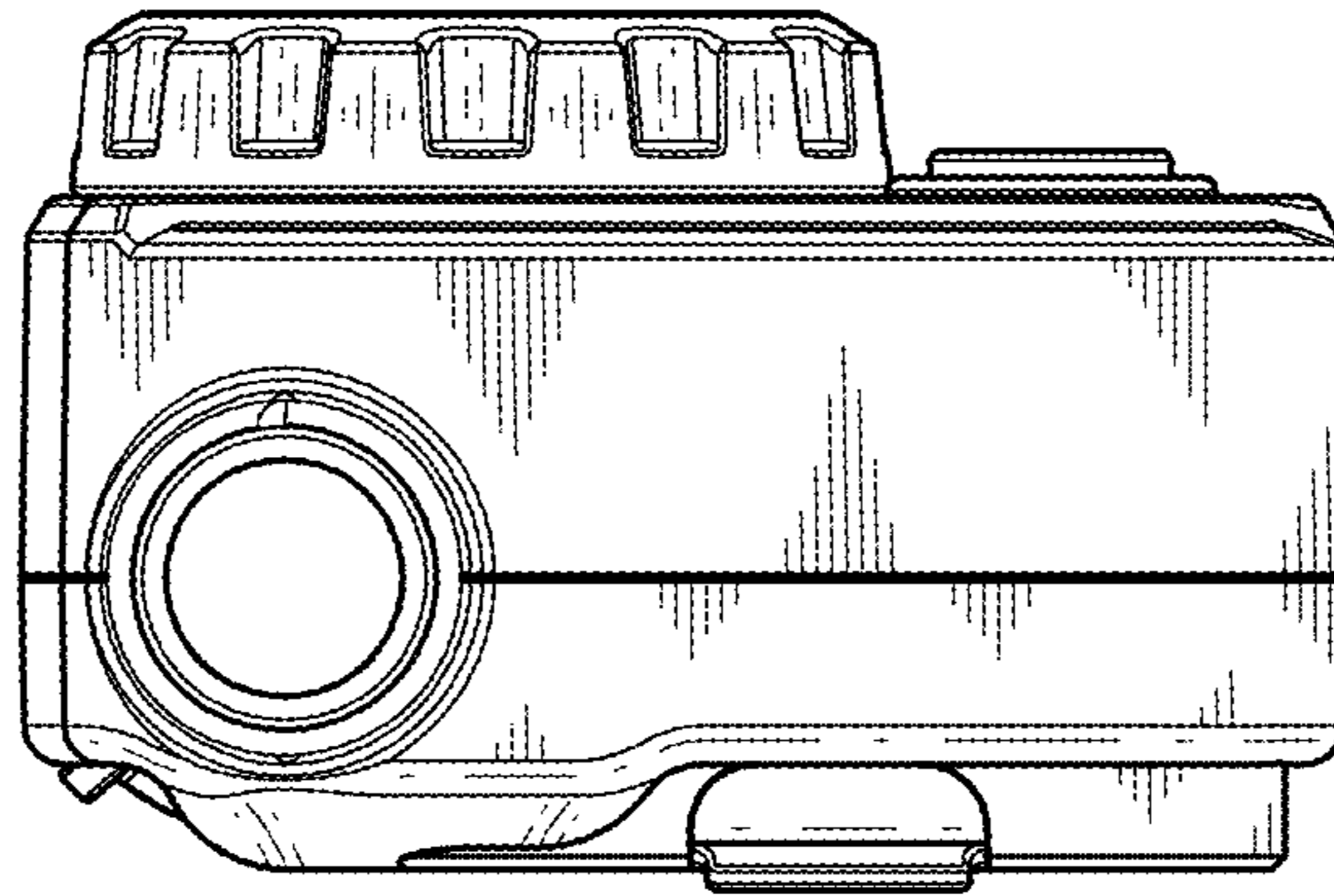


FIG. 2

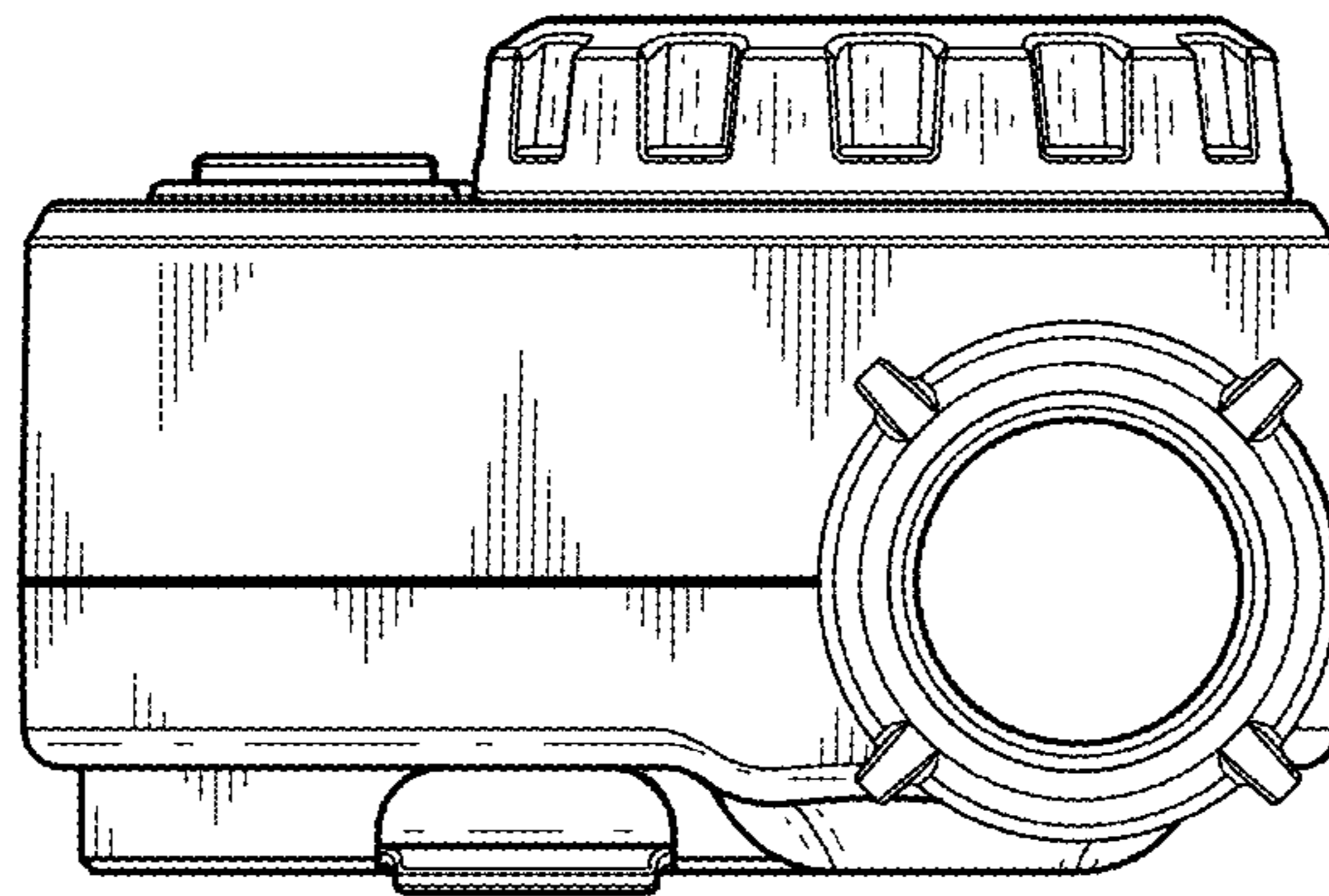


FIG. 3

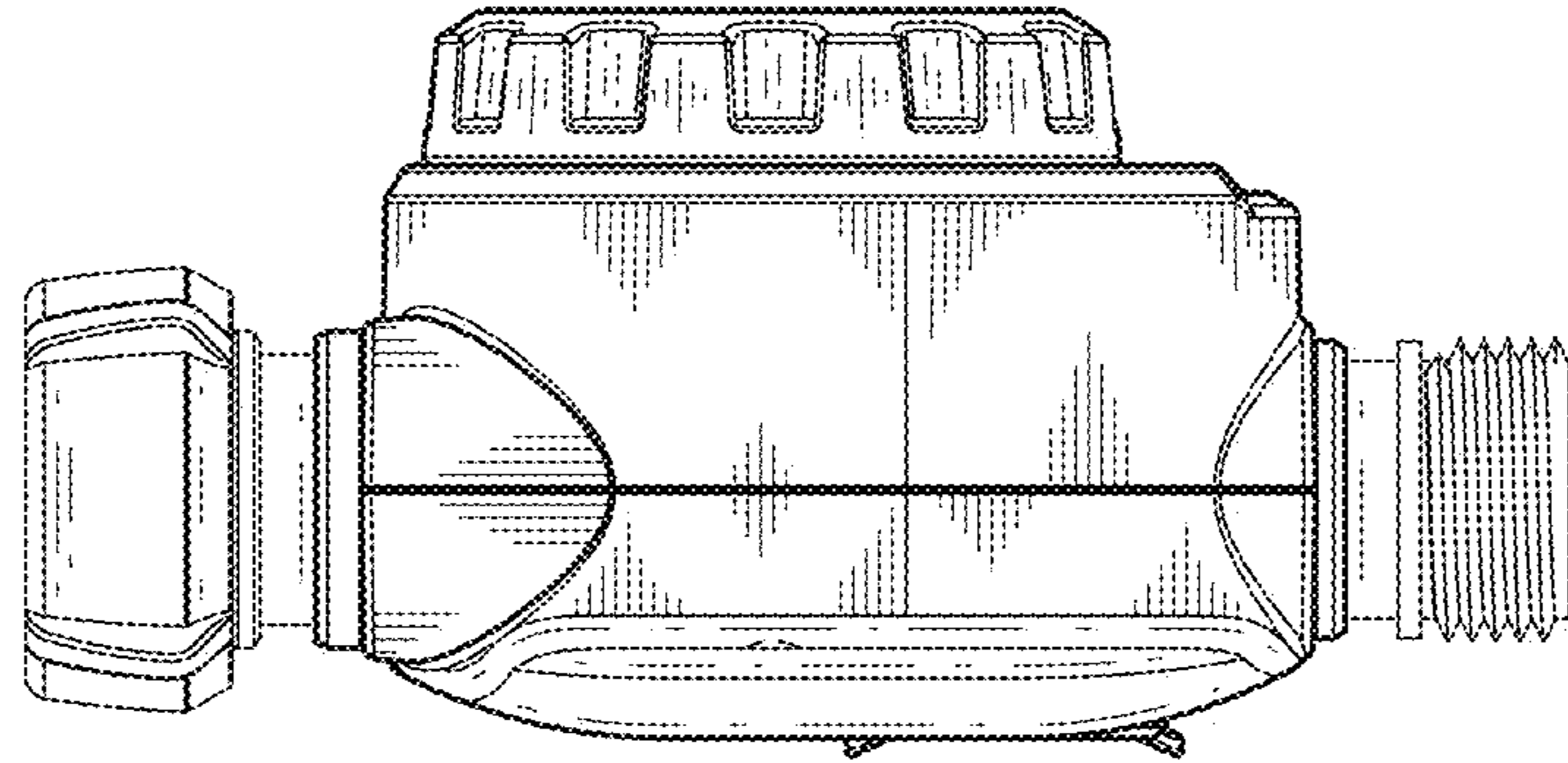


FIG. 4

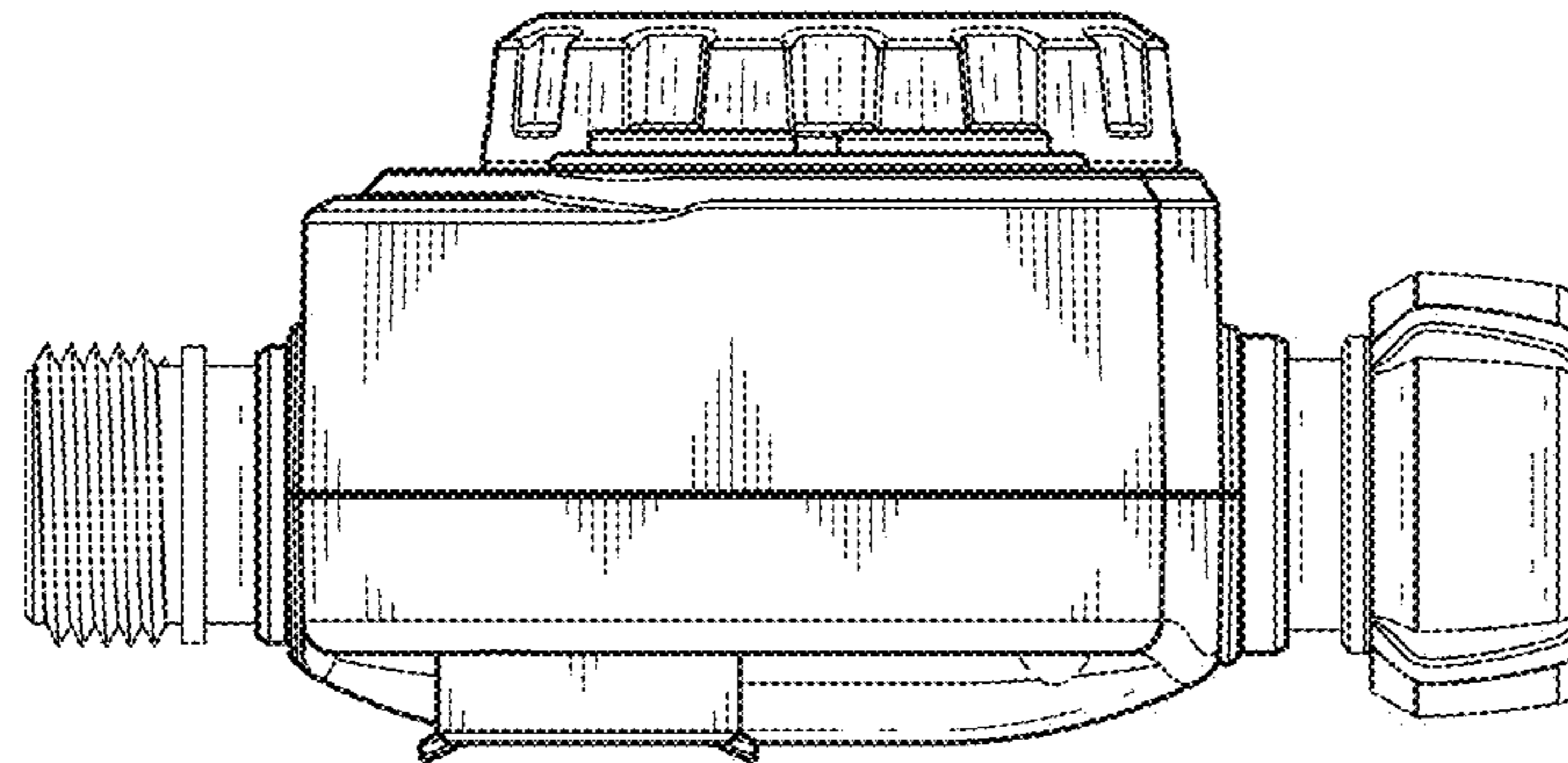


FIG. 5

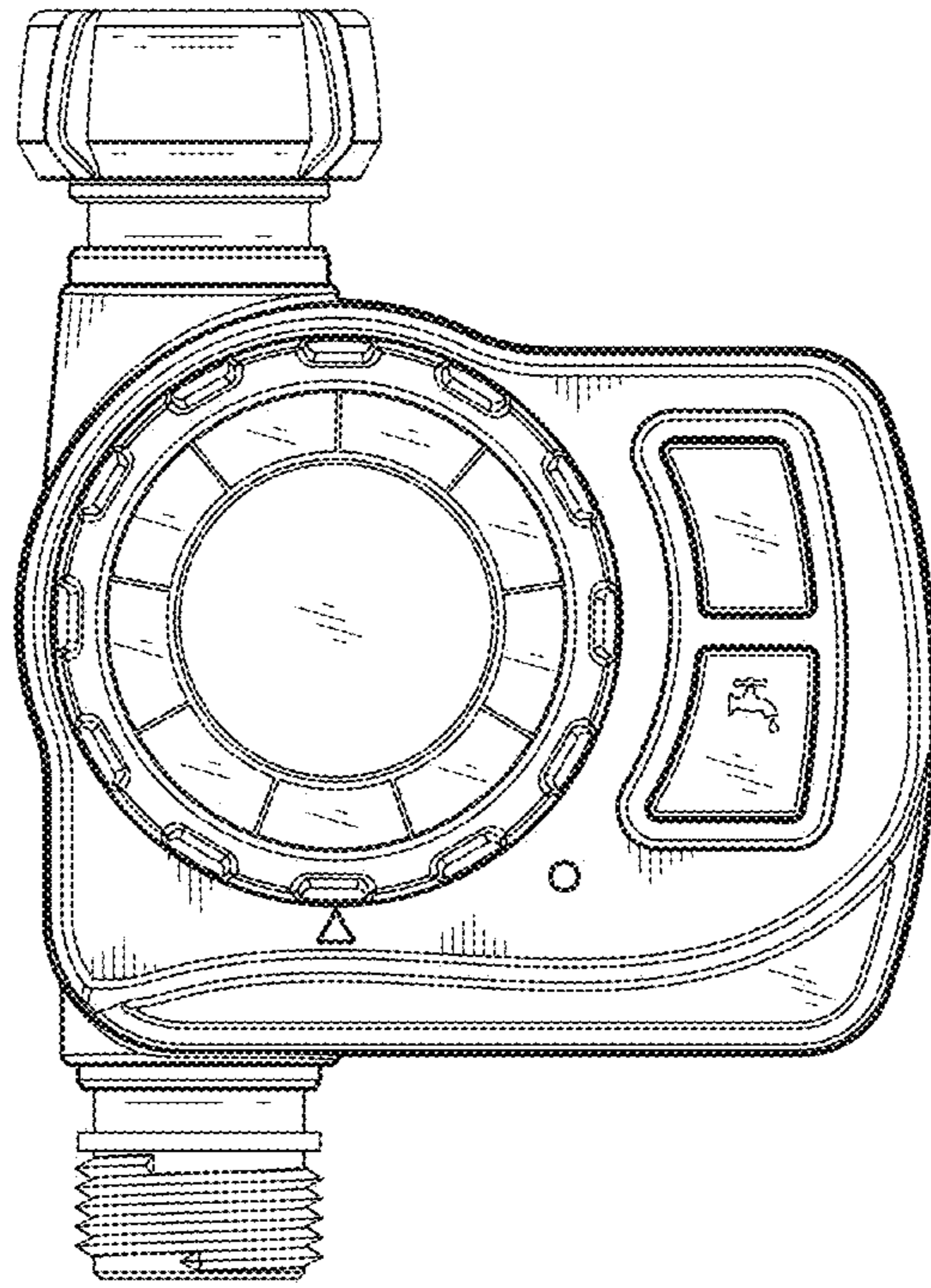


FIG. 6

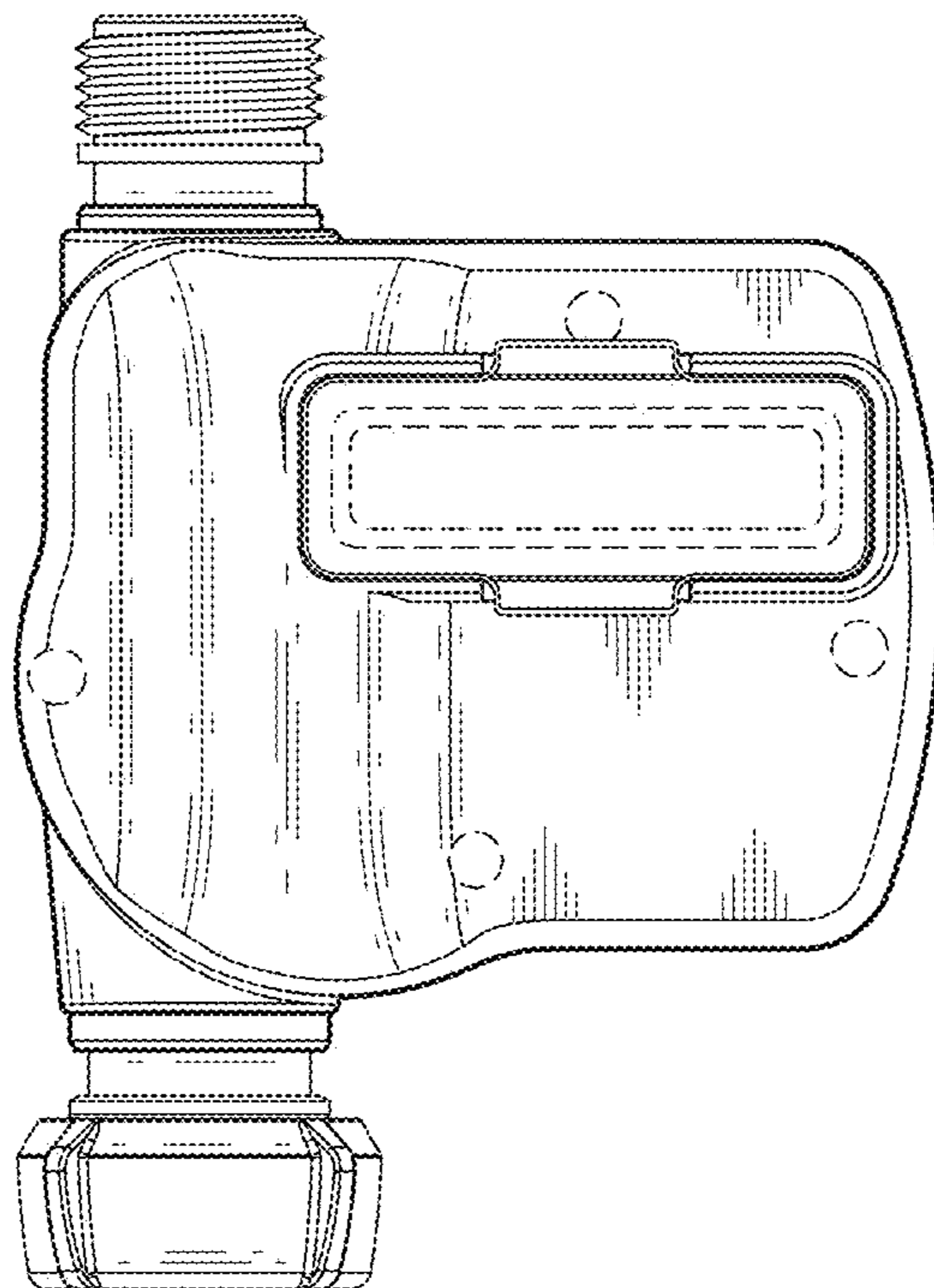


FIG. 7

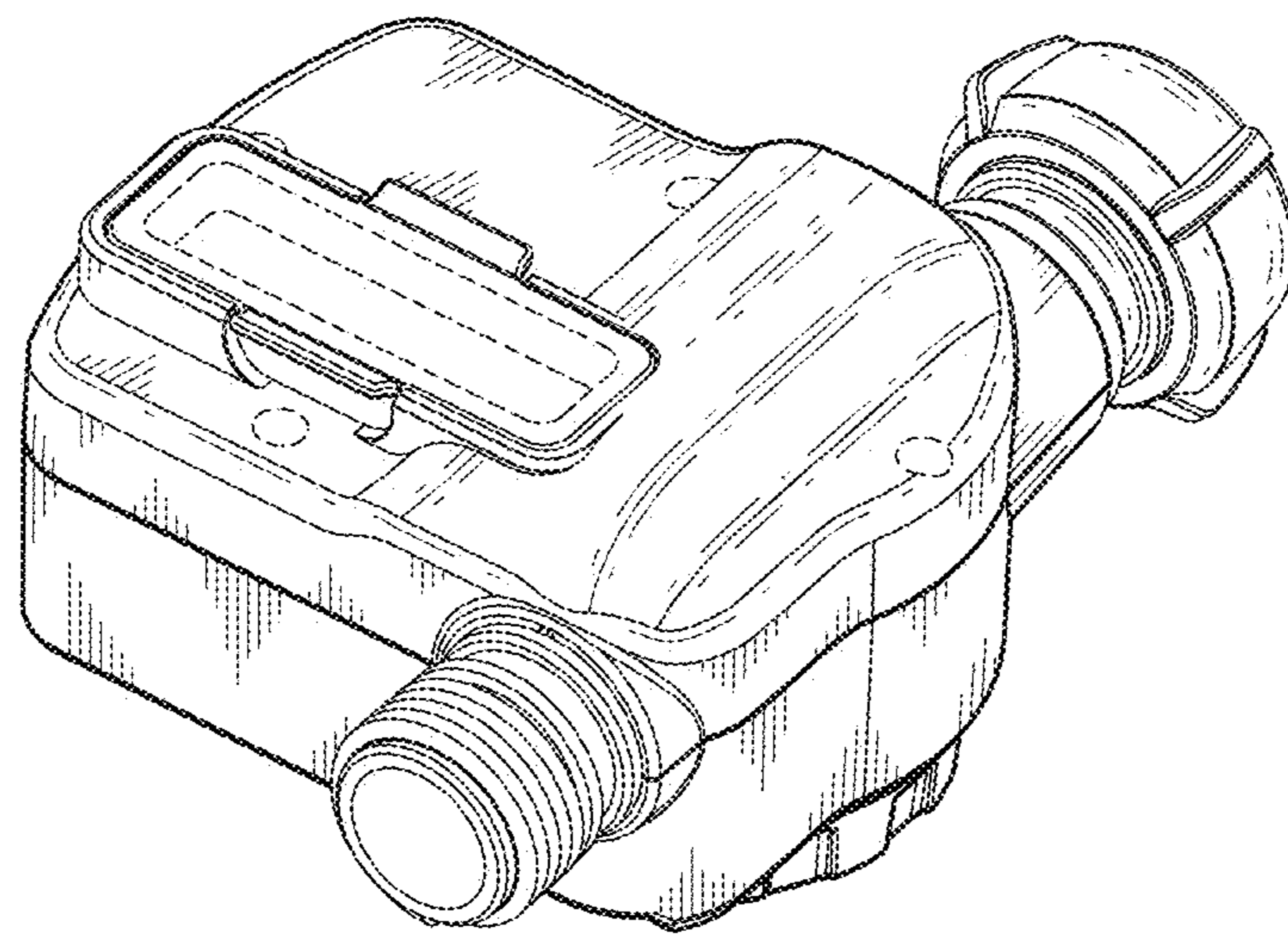


FIG. 8