



US00D886639S

(12) **United States Design Patent**
Vilaseca

(10) **Patent No.:** **US D886,639 S**
(45) **Date of Patent:** **** Jun. 9, 2020**

(54) **COMBINED CONTAINER AND BOTTLE**

(71) Applicant: **Evelyn Vilaseca**, Miami, FL (US)

(72) Inventor: **Evelyn Vilaseca**, Miami, FL (US)

(**) Term: **15 Years**

(21) Appl. No.: **29/658,324**

(22) Filed: **Jul. 30, 2018**

(51) **LOC (12) Cl.** **09-03**

(52) **U.S. Cl.**

USPC **D9/744**; D9/742

(58) **Field of Classification Search**

USPC D9/695, 711, 719, 737, 738, 741, 742,
D9/744, 517; D7/509-511, 563, 573,
D7/513, 300, 308, 312, 315, 601, 602,
D7/619.1, 622, 629, 608, 305; D3/202;
264/532; 222/129, 94, 135; 220/505,
220/504, 288, 709, 23.4, 23.8, 23.88, 633,
220/916, 23.83, 660, 662, 669, 675, 212;
215/6, 10, 1 R, 1 C, 379, 381-384;
206/434, 426, 427, 429, 430, 485, 485.1,
206/499, 508, 431; 229/117.3, 185, 121,
229/122, 200, 207, 236, 87.01

CPC B65D 81/3205; B65D 1/16; B65D 1/48;
B65D 25/20; B65D 41/04; A45F 3/20

See application file for complete search history.

(56) **References Cited**

U.S. PATENT DOCUMENTS

- 1,269,491 A * 6/1918 Murray A24F 13/22
131/258
- 4,429,786 A * 2/1984 Hucal A45C 11/005
206/499
- 4,513,895 A * 4/1985 Leslie A45F 3/04
224/153
- 5,335,809 A * 8/1994 Toida A47J 41/0011
220/23.88

- 5,884,796 A * 3/1999 Hallmark A47J 41/02
220/23.88
- 6,135,842 A * 10/2000 LaFata A63H 33/28
206/207
- D434,980 S * 12/2000 Suzuki D9/418

(Continued)

Primary Examiner — W. A. Teddy Falloway

(57) **CLAIM**

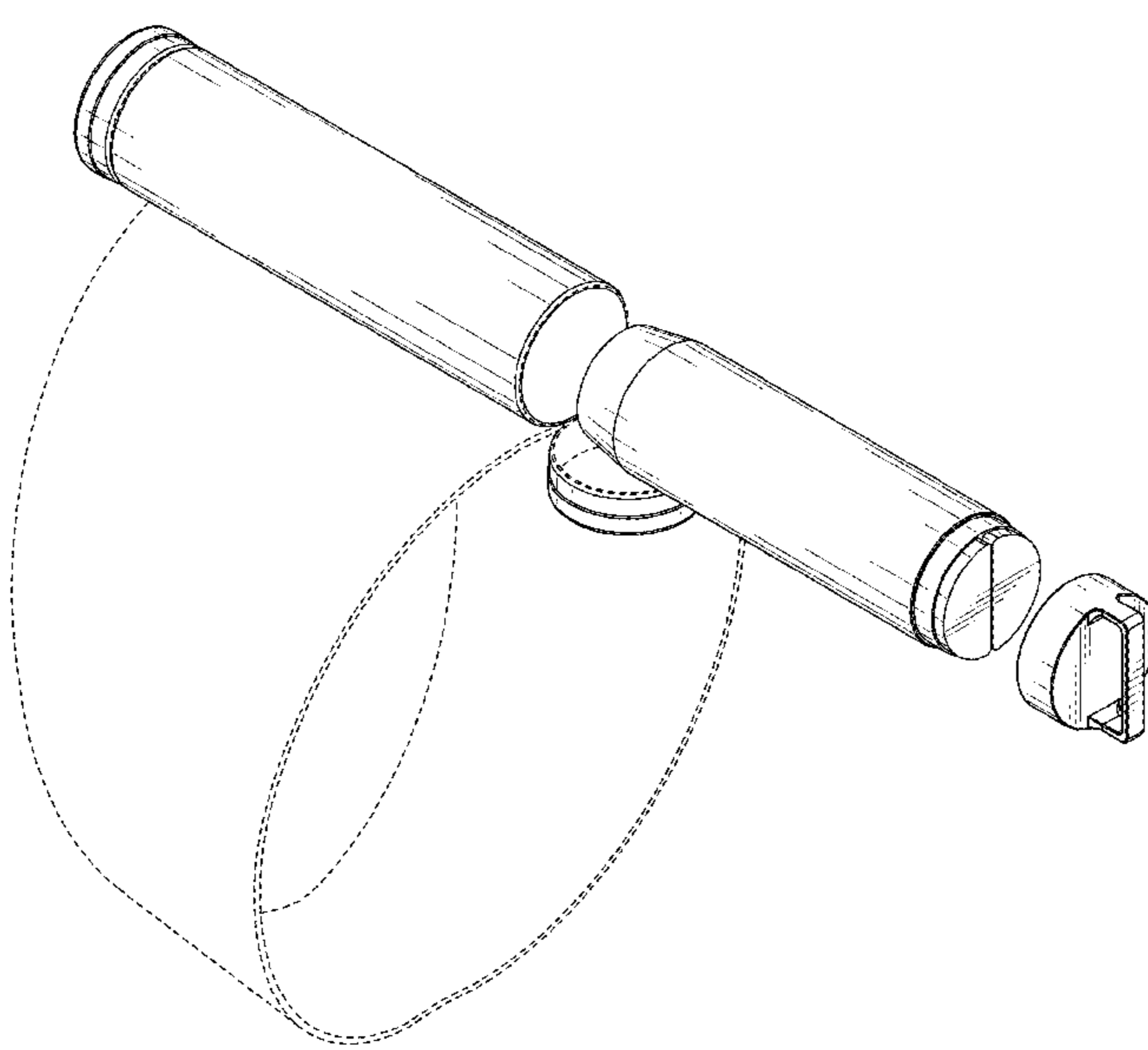
The ornamental design for a combined container and bottle, as shown and described.

DESCRIPTION

FIG. 1 is a perspective view of a combined container and bottle showing my new design;
 FIG. 2 is a front view thereof;
 FIG. 3 is a rear view thereof;
 FIG. 4 is a left-side view thereof;
 FIG. 5 is a right-side view thereof;
 FIG. 6 is a top view thereof;
 FIG. 7 is a bottom view thereof;
 FIG. 8 is a perspective view of a container wherein a front endcap is pulled from the container to reveal the cap of the bottle;
 FIG. 9 is a perspective view, showing the container and bottle in an alternate, deployed state where the bottle is removed of the container and the cap removed of the bottle to reveal the two covers;
 FIG. 10 is a front perspective view thereof;
 FIG. 11 is right-side view thereof;
 FIG. 12 is a rear perspective view thereof;
 FIG. 13 is a right-side view thereof, showing the plane upon which a cross section is taken and shown in FIG. 14; and,
 FIG. 14 is a cross sectional view thereof taken along line A-A in FIG. 13.

The broken line showing of a harness, the interior surfaces of the container, and the interior surfaces of the bottle is included for the purpose of illustrating environmental structures and forms no part of the claimed design.

1 Claim, 14 Drawing Sheets



(56)

References Cited

U.S. PATENT DOCUMENTS

D515,916	S *	2/2006	Bleuer	D9/424
D518,369	S *	4/2006	Haber	D9/424
D525,786	S *	8/2006	Orlando	D3/254
D548,973	S *	8/2007	Dawson	D3/272
D565,412	S *	4/2008	Fuller	D9/454
D604,942	S *	12/2009	Smith	D3/202
D698,266	S *	1/2014	Downs	D9/524
D727,172	S *	4/2015	Rosella	D9/504
D738,612	S *	9/2015	Winiski	D3/205
D768,507	S *	10/2016	Hotell	D9/738
D816,322	S *	5/2018	Choe	D3/201
D816,514	S *	5/2018	Wolfson	D9/741
D817,092	S *	5/2018	Pisarevsky	D7/507
10,065,785	B2 *	9/2018	Genchev	B65D 81/3211
D831,436	S *	10/2018	Seiders	D7/608
D839,675	S *	2/2019	Beckman	D7/511
D845,083	S *	4/2019	Owen	D7/608
D846,354	S *	4/2019	Omdahl, II	D7/510
D861,979	S *	10/2019	Sibley	D27/183
D878,160	S *	3/2020	Corbet	D7/523
D878,927	S *	3/2020	Rawls	D9/711
D878,928	S *	3/2020	Rawls	D9/711
2013/0233178	A1 *	9/2013	Herling	A47J 31/18 99/322
2014/0346062	A1 *	11/2014	Bukhari	A47G 19/2227 206/222
2017/0166385	A1 *	6/2017	Pisarevsky	B65D 81/3881
2018/0327153	A1 *	11/2018	Blakley	A47F 7/03

* cited by examiner

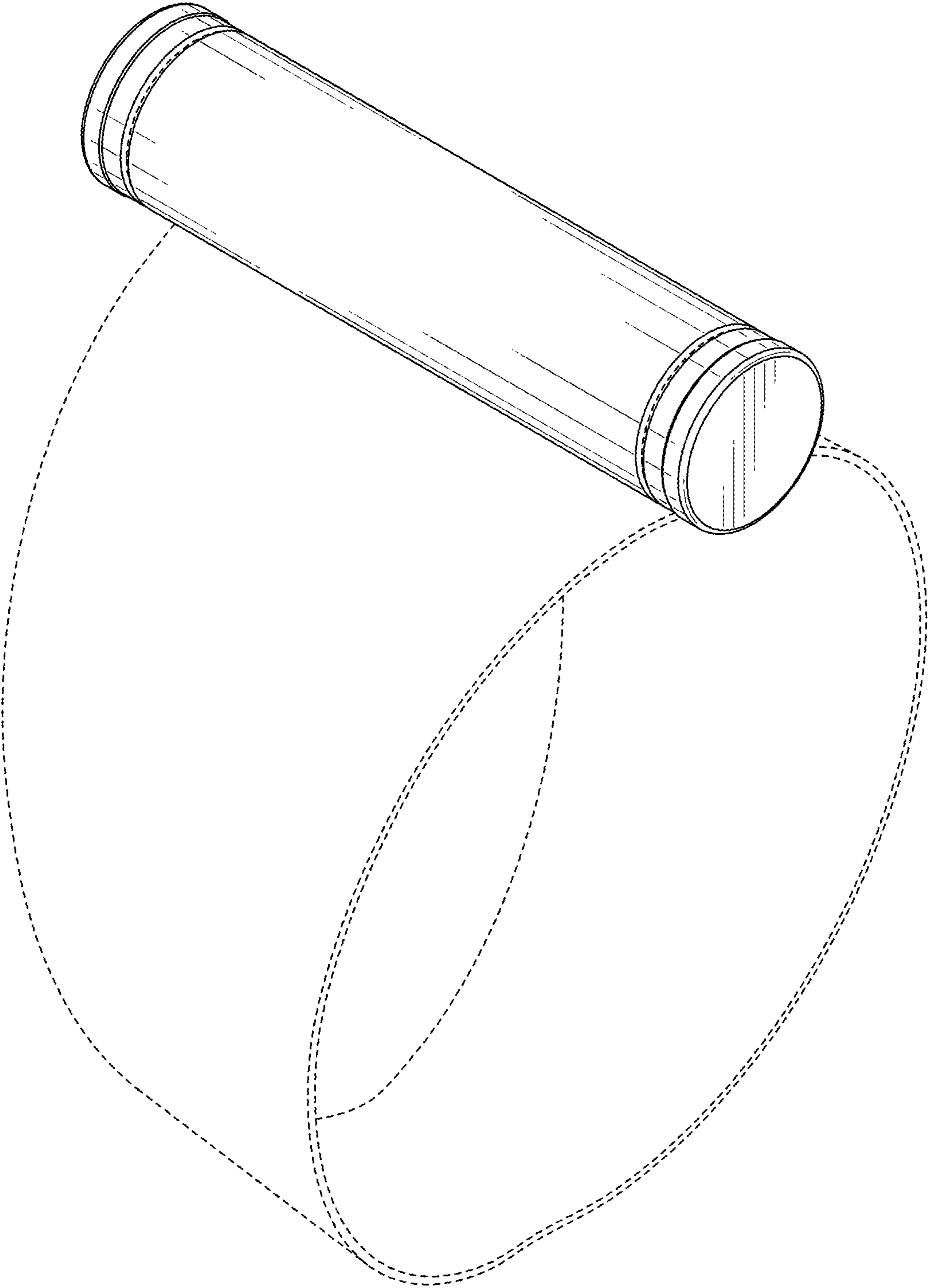


FIG. 1

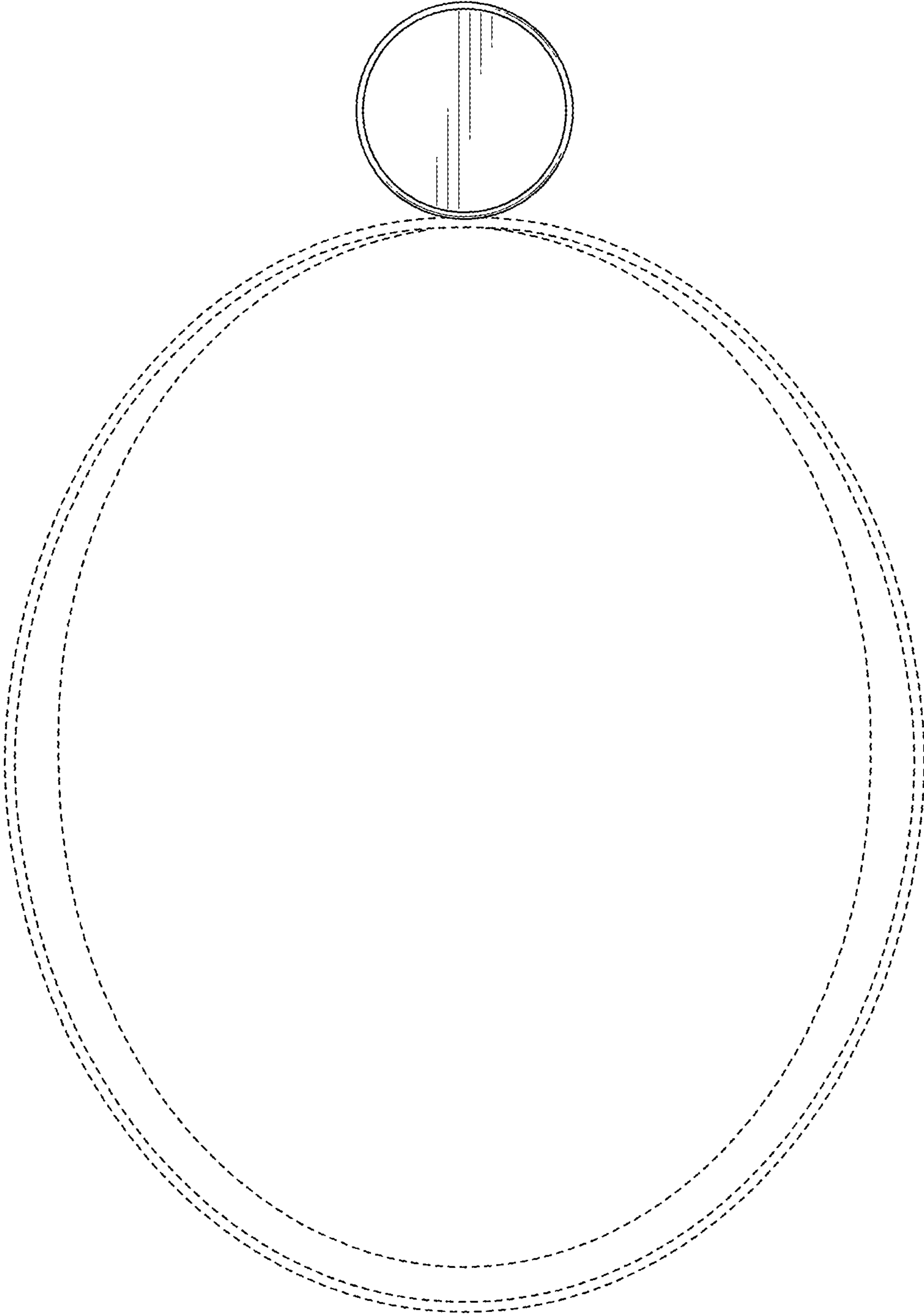


FIG. 2

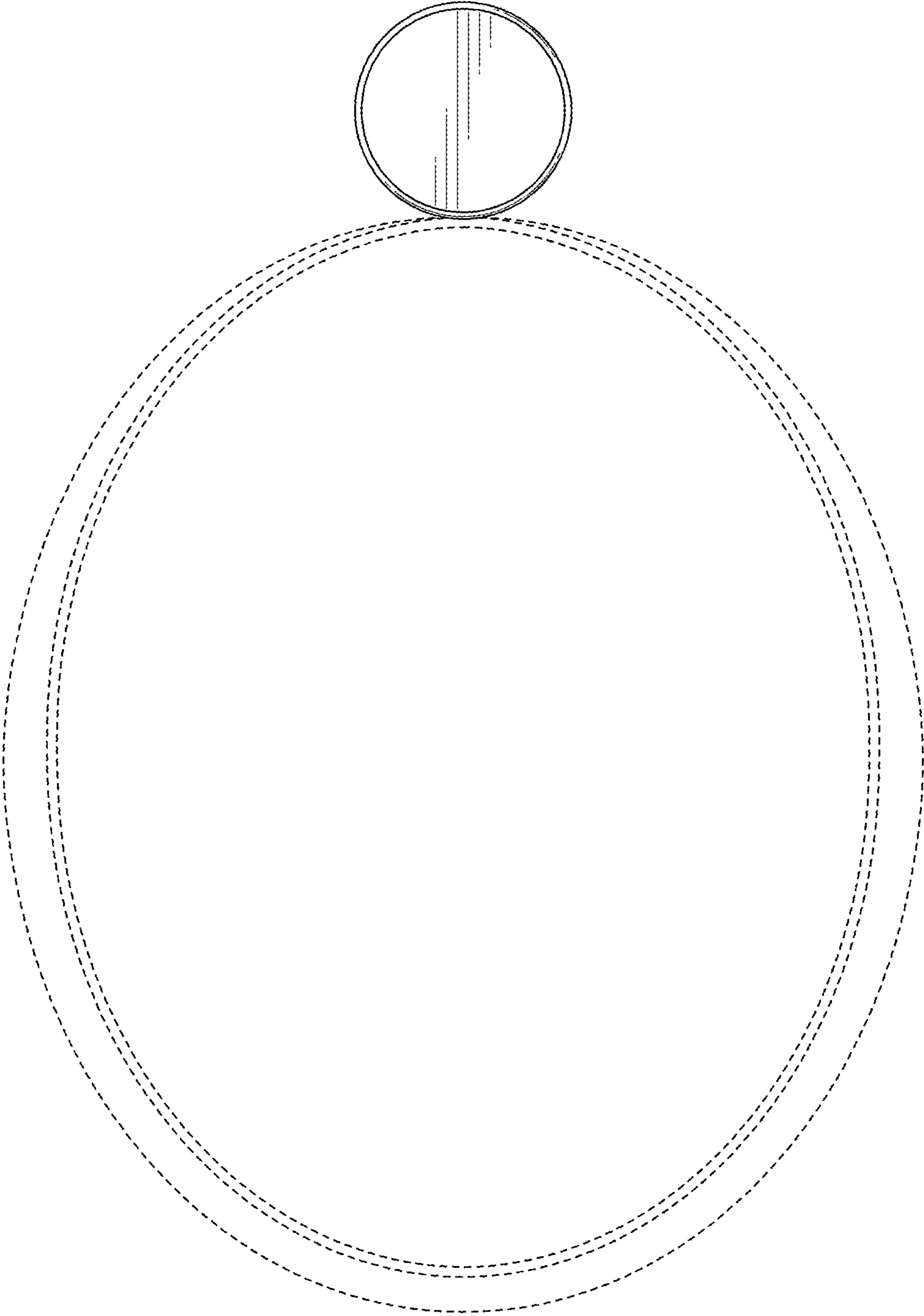


FIG. 3

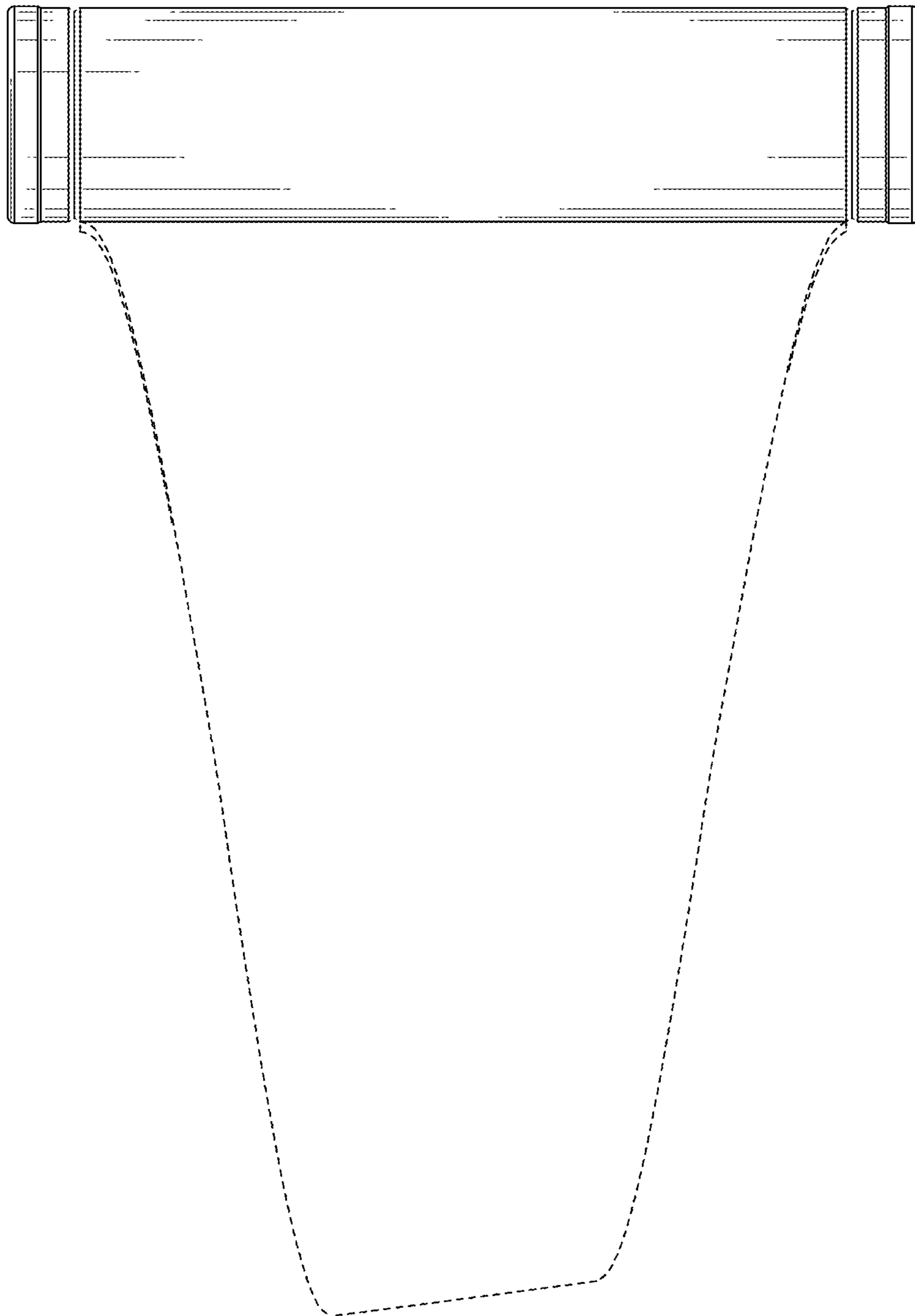


FIG. 4

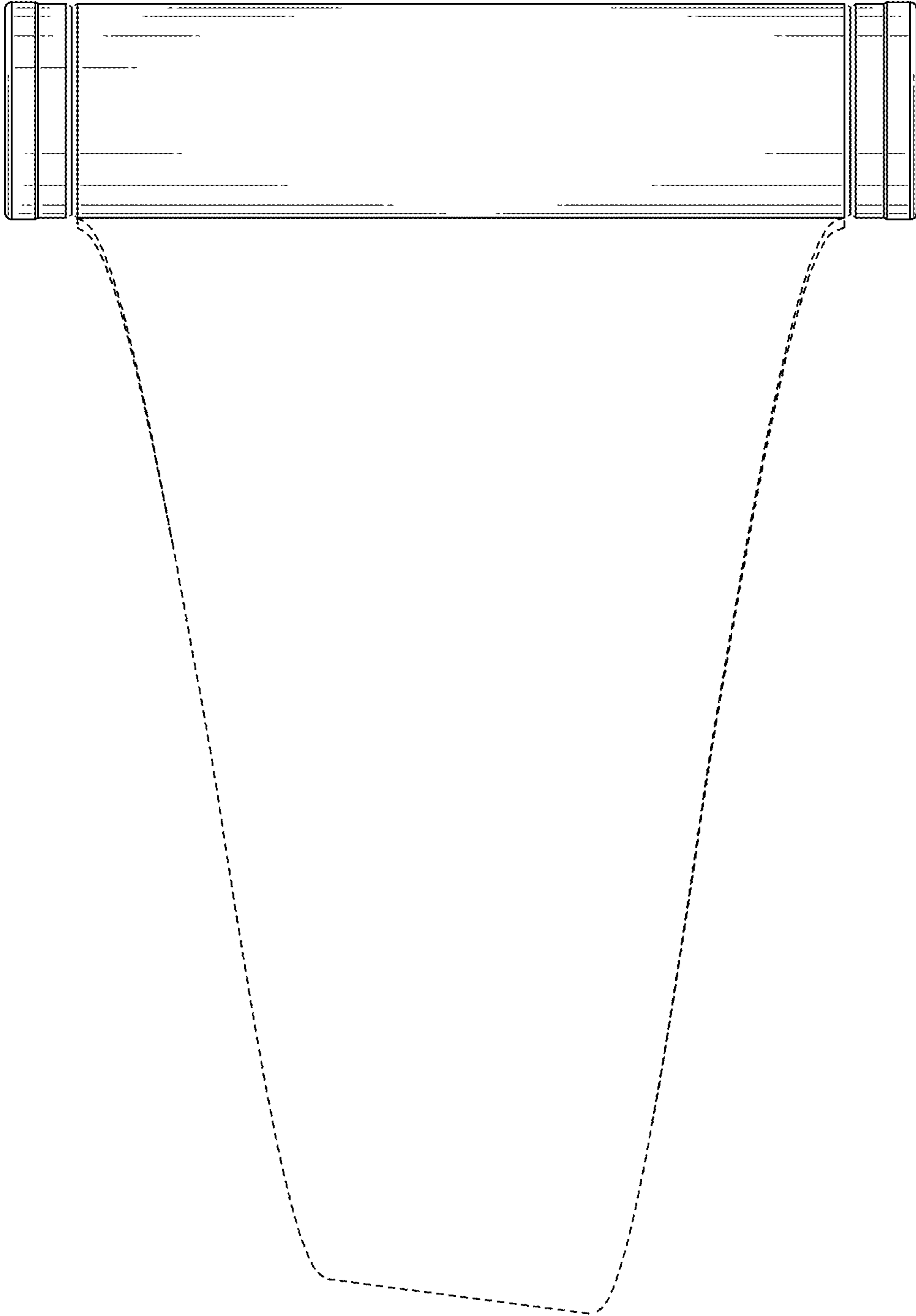


FIG. 5

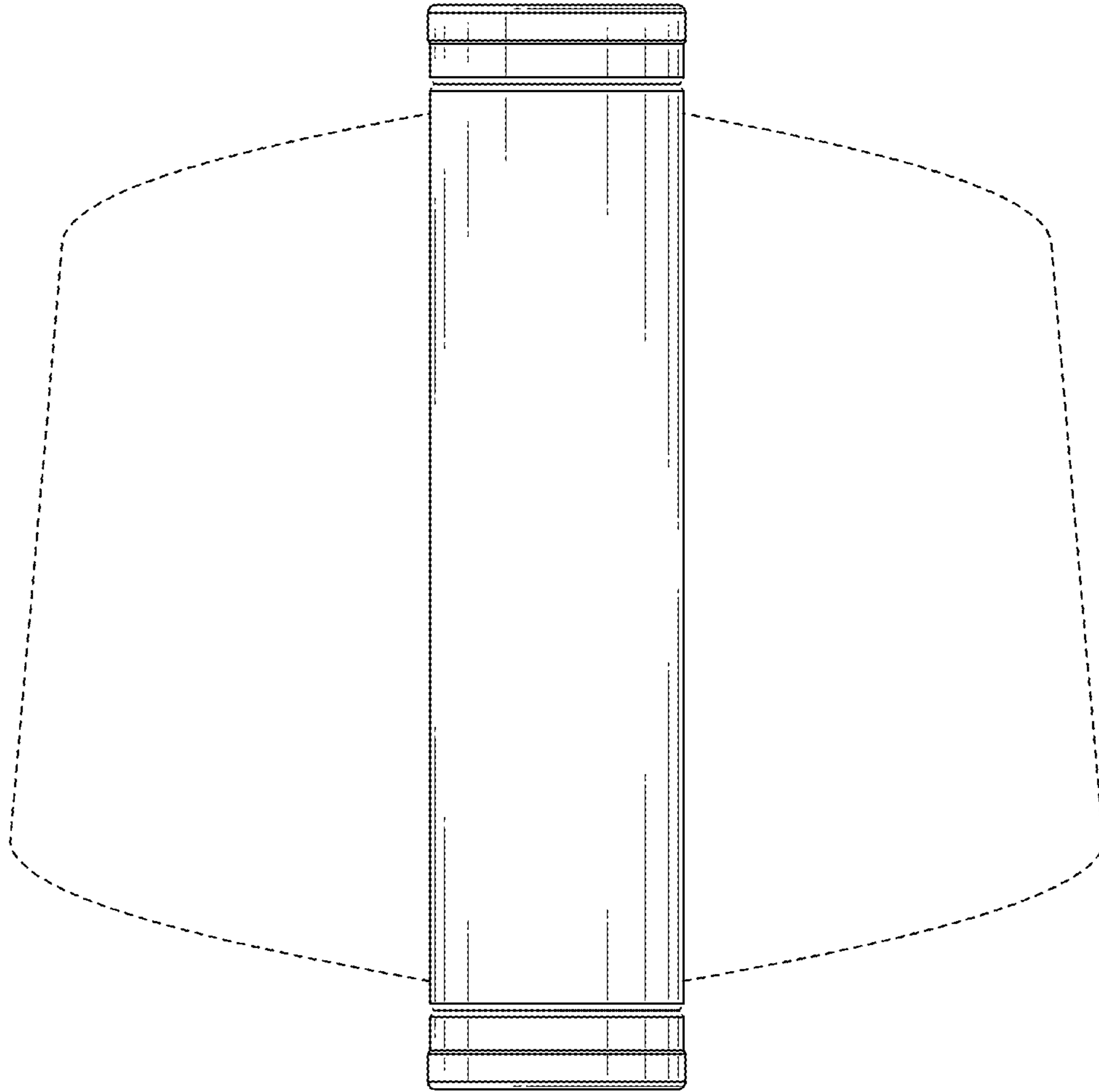


FIG. 6

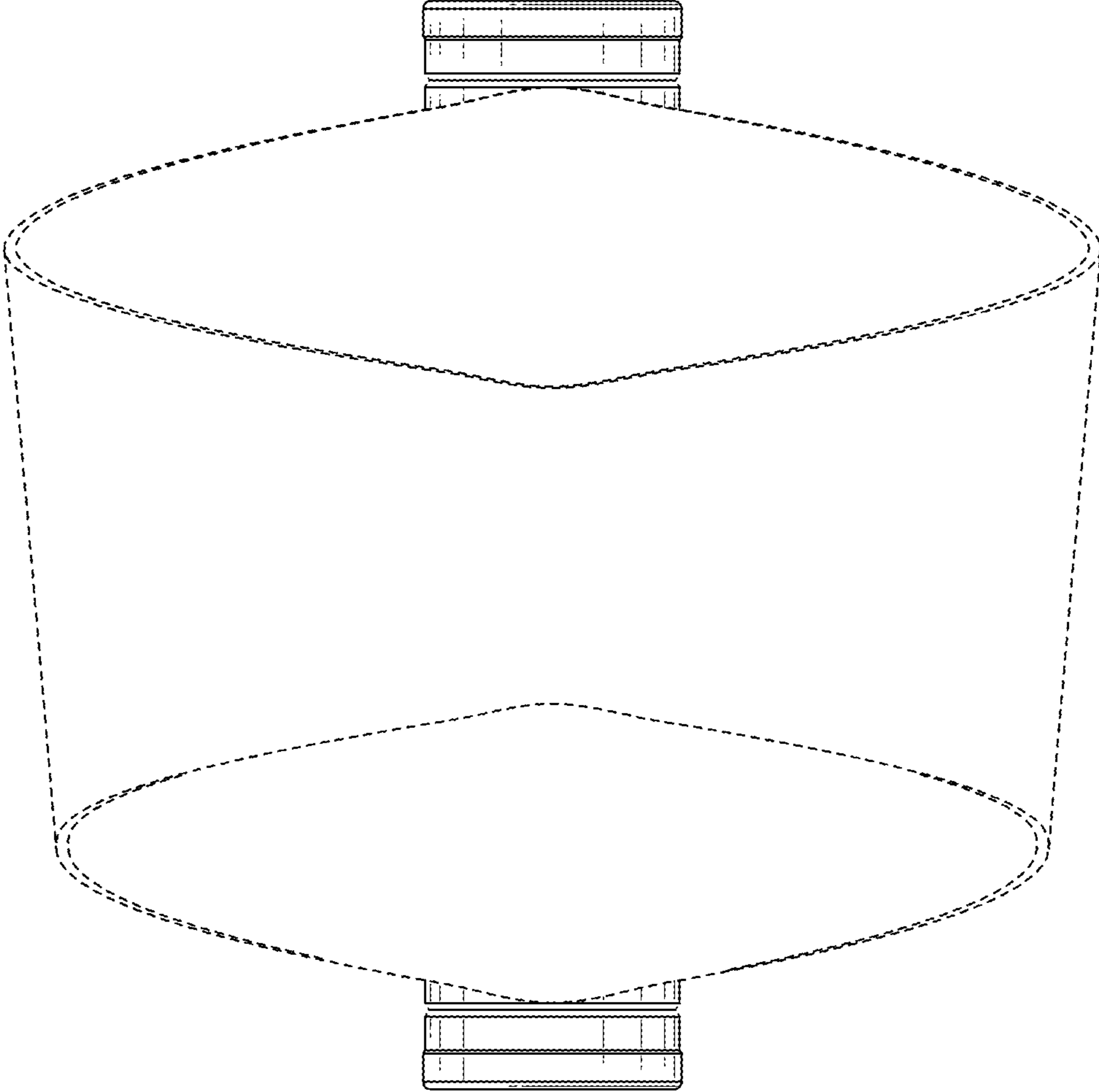


FIG. 7

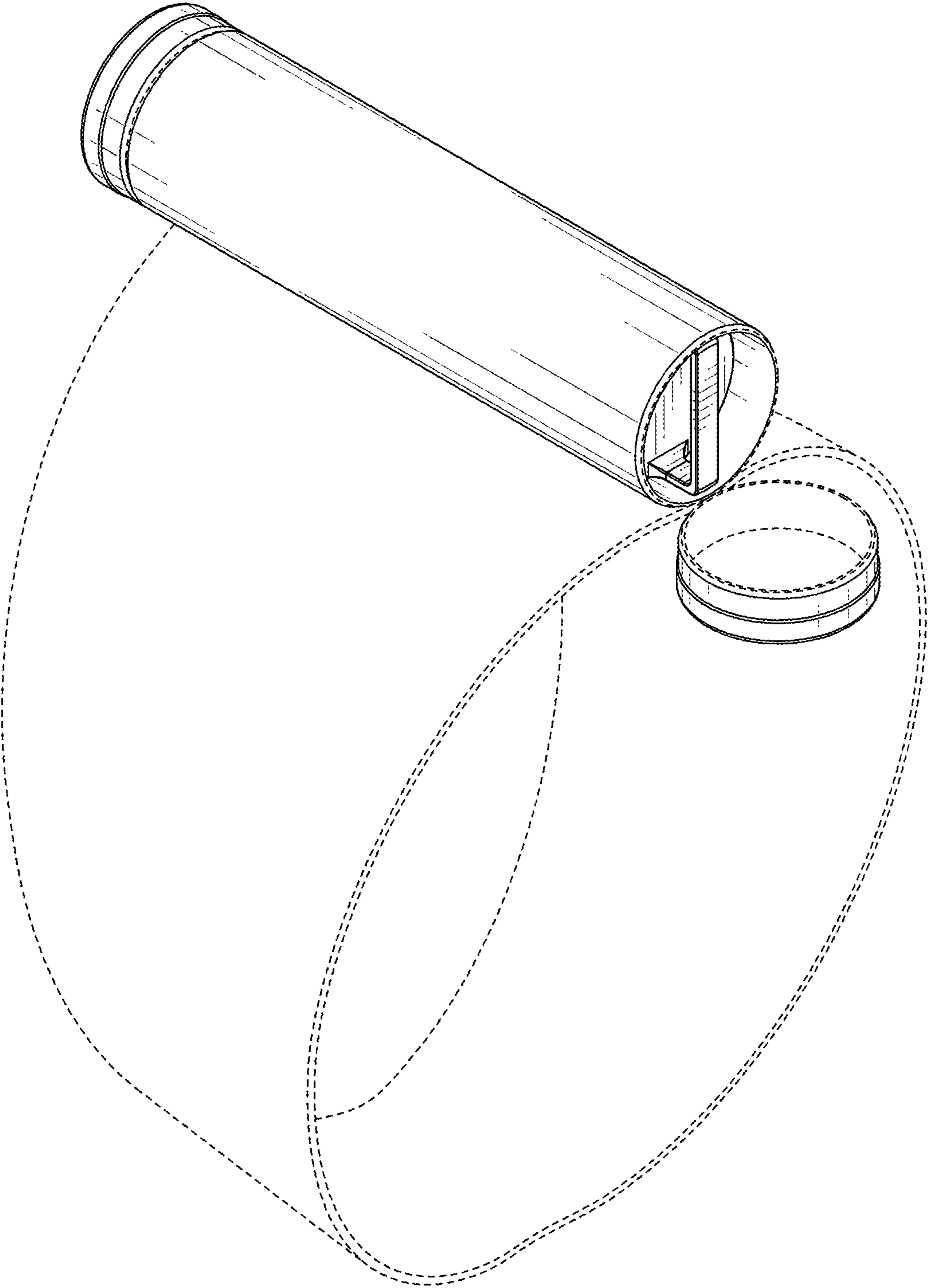


FIG. 8

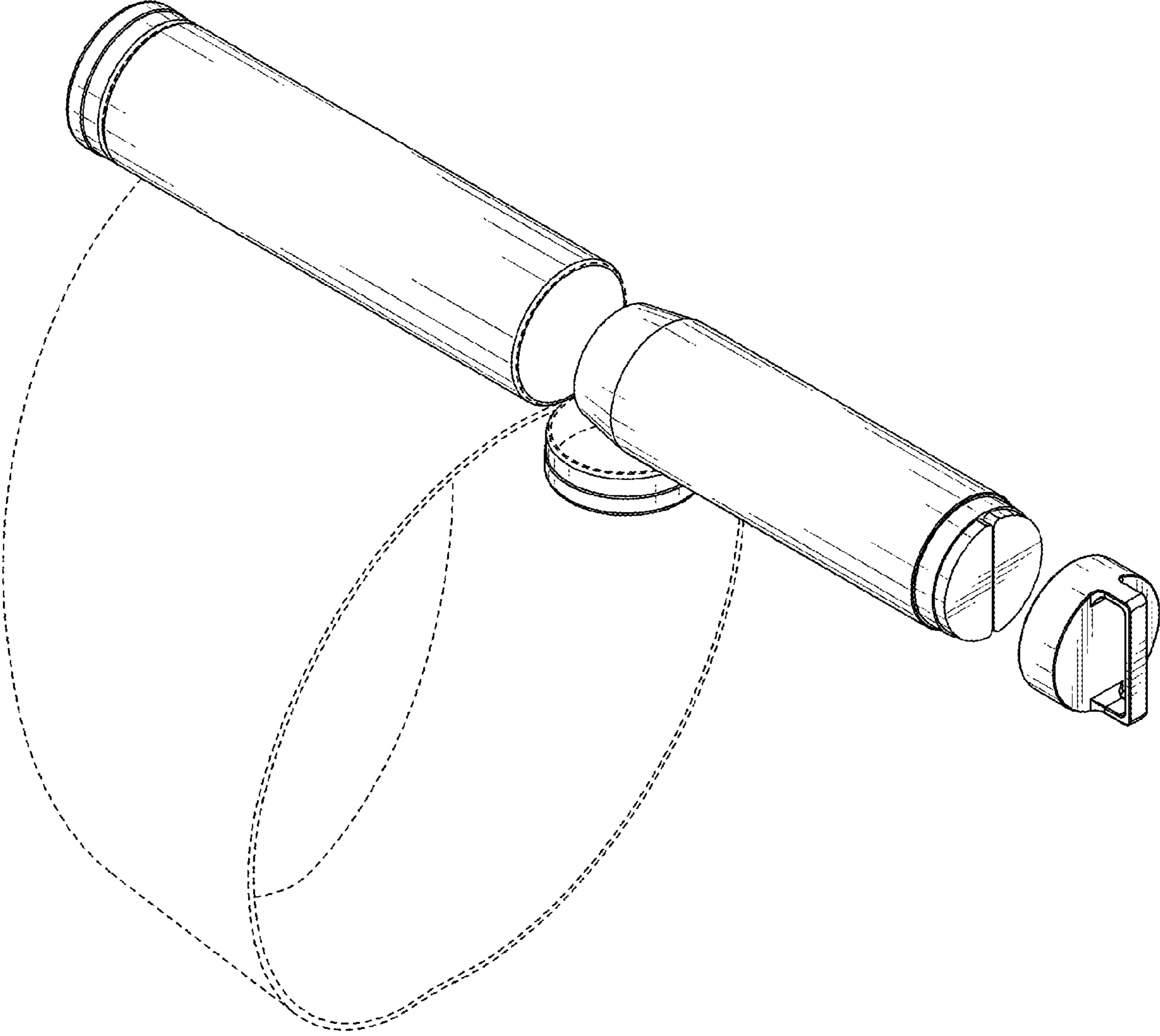


FIG. 9

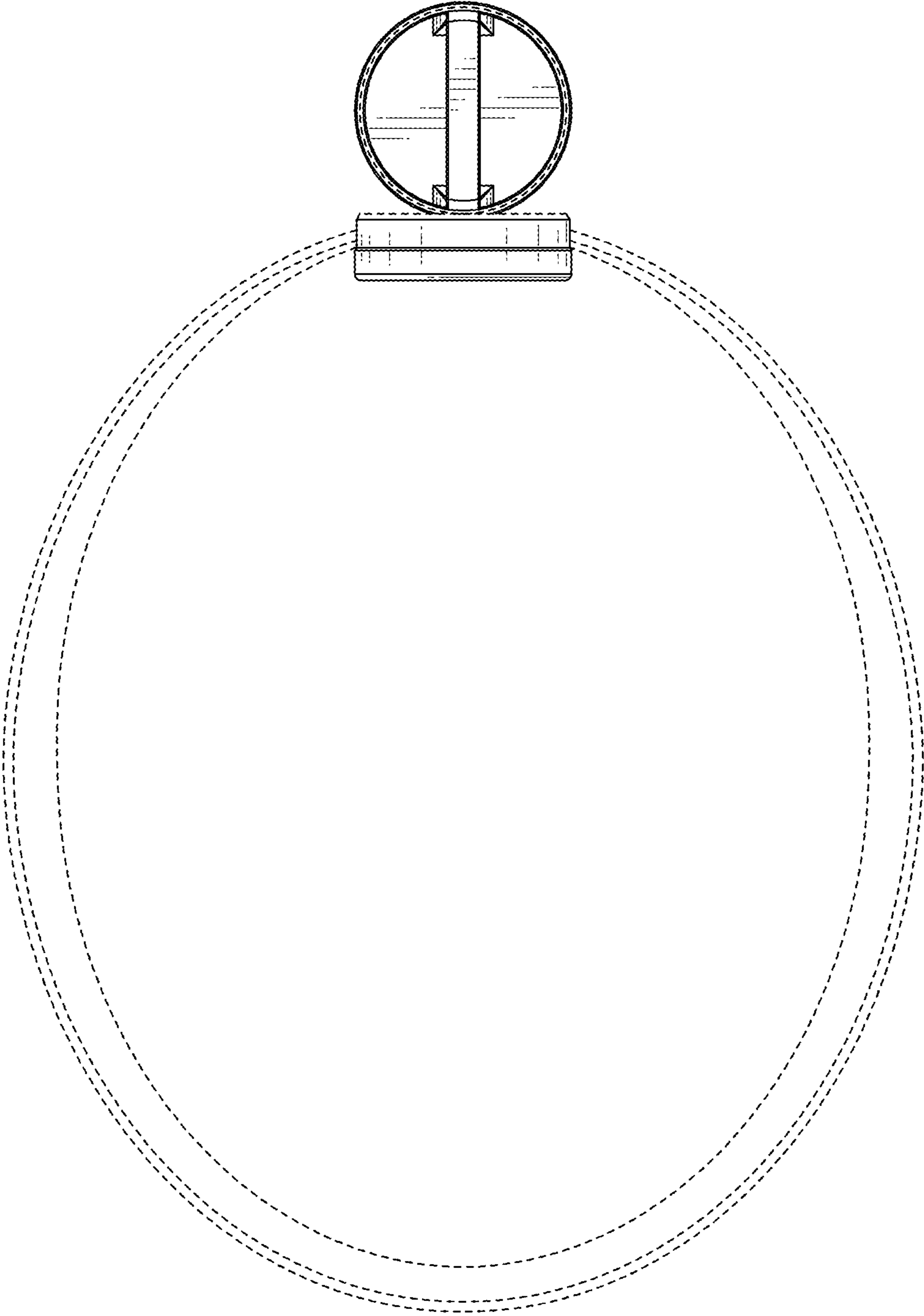


FIG. 10

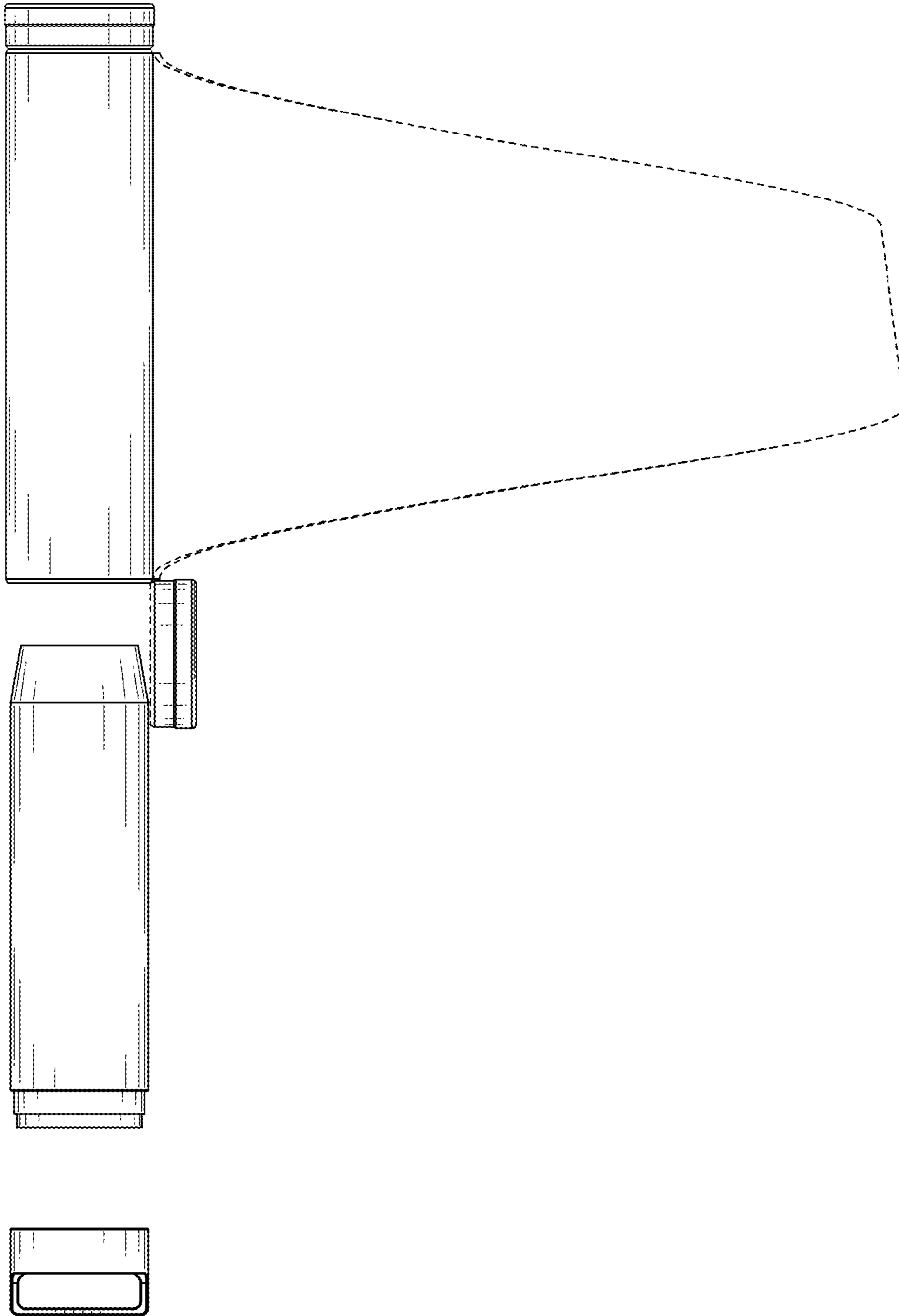


FIG. 11

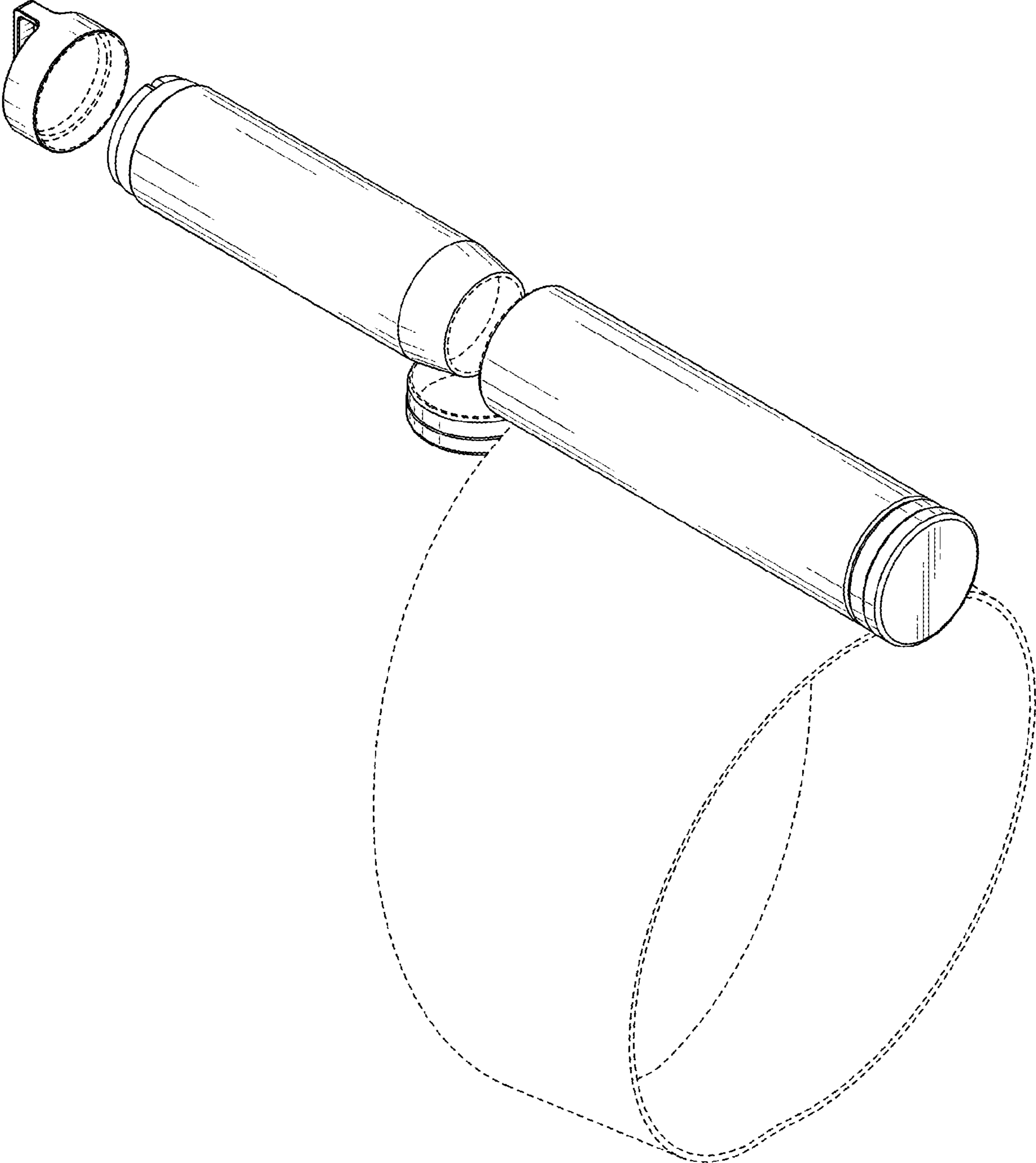


FIG. 12

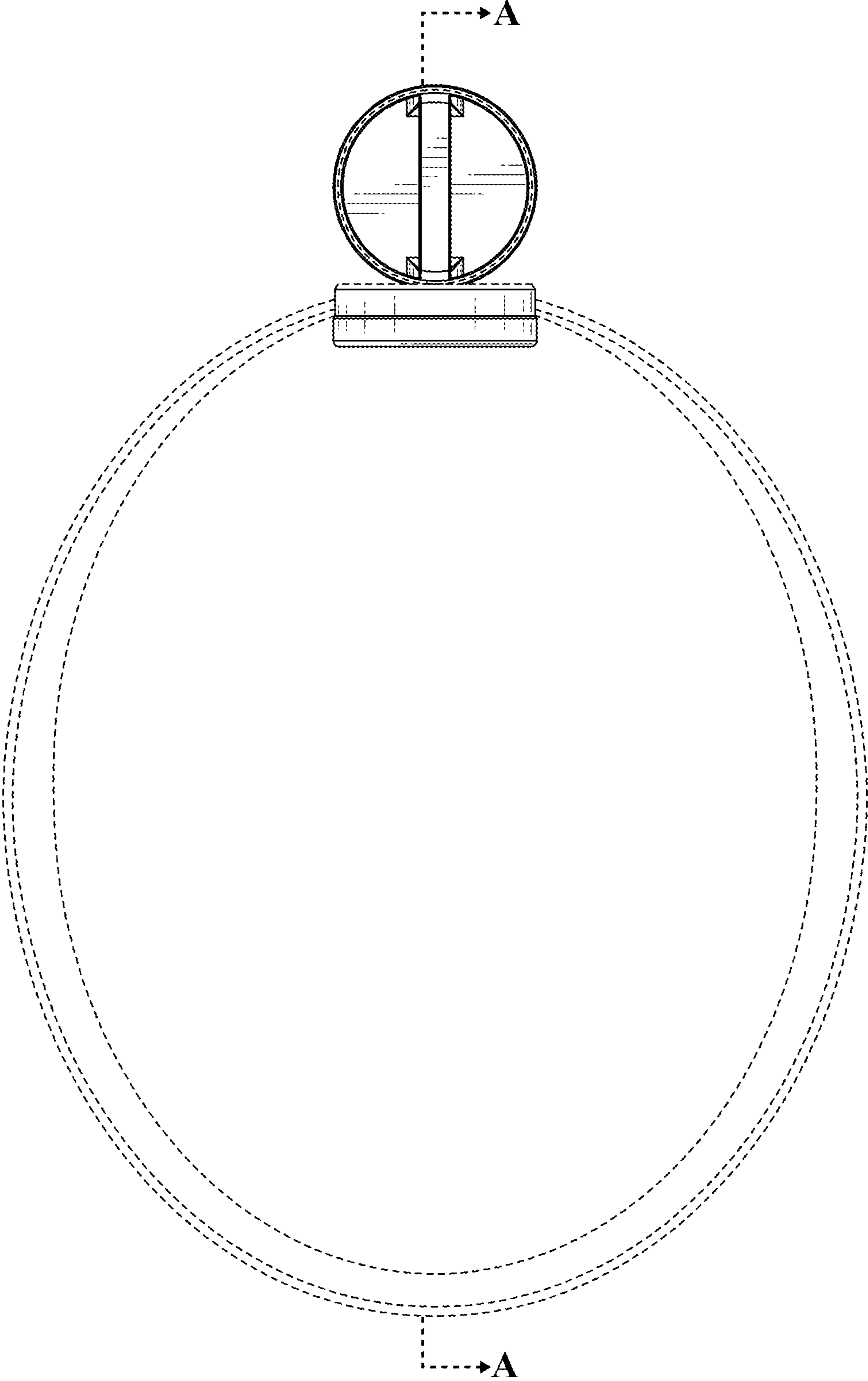


FIG. 13

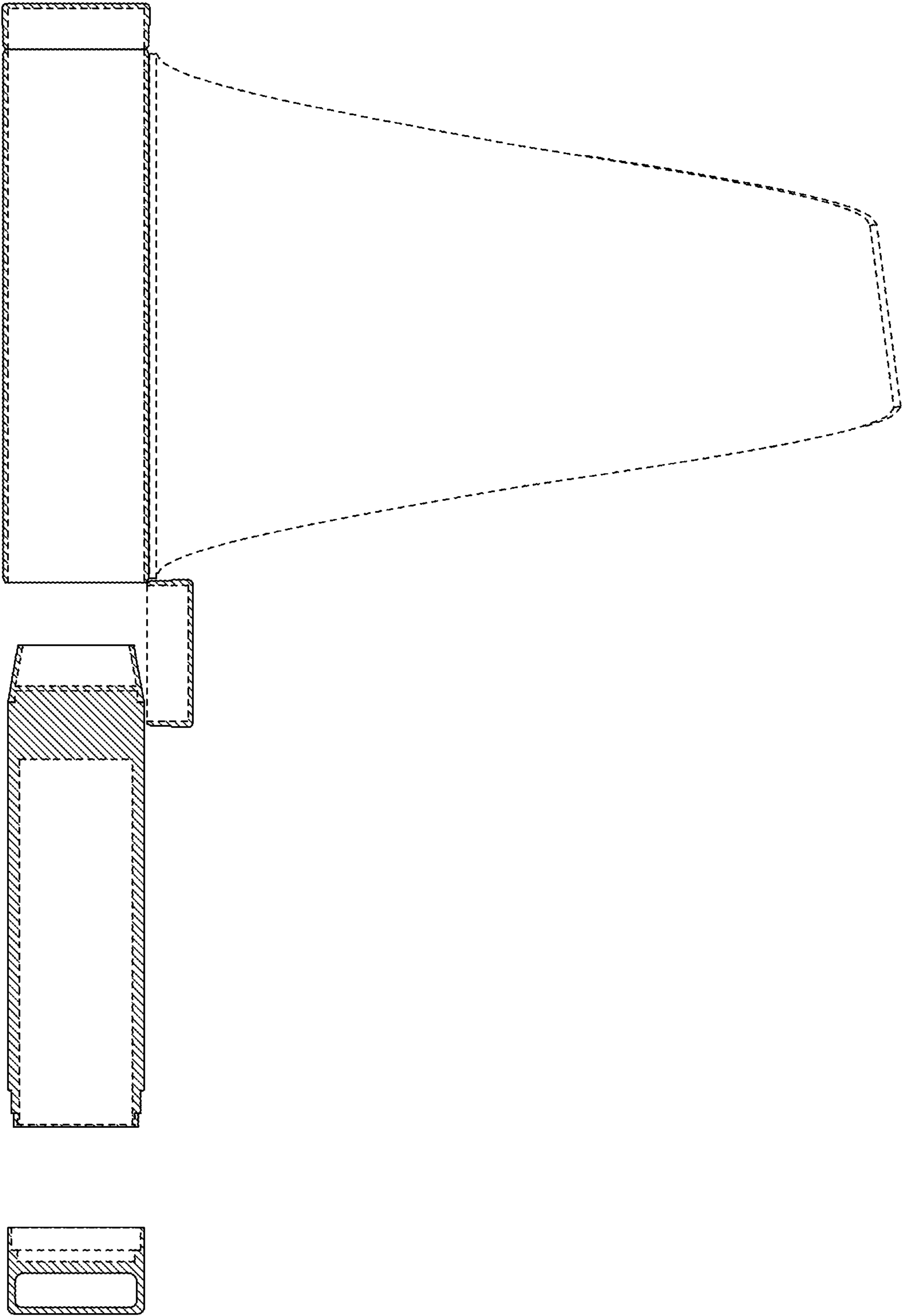


FIG. 14