



US00D886638S

(12) **United States Design Patent**
Bhalla et al.

(10) **Patent No.:** **US D886,638 S**
(45) **Date of Patent:** **** Jun. 9, 2020**

(54) **PACKAGING**

(71) Applicant: **JUUL Labs, Inc.**, San Francisco, CA (US)
(72) Inventors: **Rajeev Bhalla**, Palo Alto, CA (US);
Jason Curtis, San Francisco, CA (US);
Peter C. De Alva, Lake Zurich, IL (US);
PyiPhyo Lwin, Newark, CA (US);
James Monsees, San Francisco, CA (US);
Kevin J. Myers, San Jose, CA (US);
Vincent C. Phua, Piedmont, CA (US);
Jambunathan Vangal Ramamurthy, San Jose, CA (US);
Alexandra N. Siano, San Francisco, CA (US);
Srinivasan Sundararajan, Cupertino, CA (US);
Bryan White, San Francisco, CA (US);
Thomas J. White, San Francisco, CA (US)

(73) Assignee: **JUUL Labs, Inc.**, San Francisco, CA (US)

(**) Term: **15 Years**
(21) Appl. No.: **29/659,407**

(22) Filed: **Aug. 8, 2018**

(51) **LOC (12) Cl.** **09-03**

(52) **U.S. Cl.**
USPC **D9/737; D9/759; D9/732**

(58) **Field of Classification Search**

USPC D9/414-423, 424-429, 430-433, 434,
D9/456, 457, 711, 713, 721-722, 732,
D9/737, 759; D3/272-274, 290, 304,
D3/305, 310, 311, 312, 313, 314, 315,
D3/319; D20/10, 22, 27, 40, 42
CPC ... B65D 5/00; B65D 5/02; B65D 5/18; B65D
5/20

See application file for complete search history.

(56) **References Cited**

U.S. PATENT DOCUMENTS

2,502,561 A 4/1950 Ludwig

2,745,751 A * 5/1956 Pichardo B65D 75/323
426/115

3,272,321 A 9/1966 Tamarin
4,207,976 A 6/1980 Herman

(Continued)

FOREIGN PATENT DOCUMENTS

DE 19619536 10/1997
EP 2952110 12/2015

(Continued)

OTHER PUBLICATIONS

Vapor Starter Kit Juul Vapecentric. [online] Published on Apr. 3, 2019. Retrieved Aug. 27, 2019 from URL: <https://www.vapecentric.com/vapor-starter-kit-juul-super-deal/>.*

Primary Examiner — Vy N Koenig

(74) *Attorney, Agent, or Firm* — Mintz Levin Cohn Ferris Glovsky and Popeo, P.C.

(57) **CLAIM**

The ornamental design for a packaging, as shown and described.

DESCRIPTION

FIG. 1 is a bottom, front, and right side perspective view of a packaging of our design;

FIG. 2 is a bottom, front, and left side perspective view thereof;

FIG. 3 is a front view thereof;

FIG. 4 is a rear view thereof;

FIG. 5 is a right side view thereof;

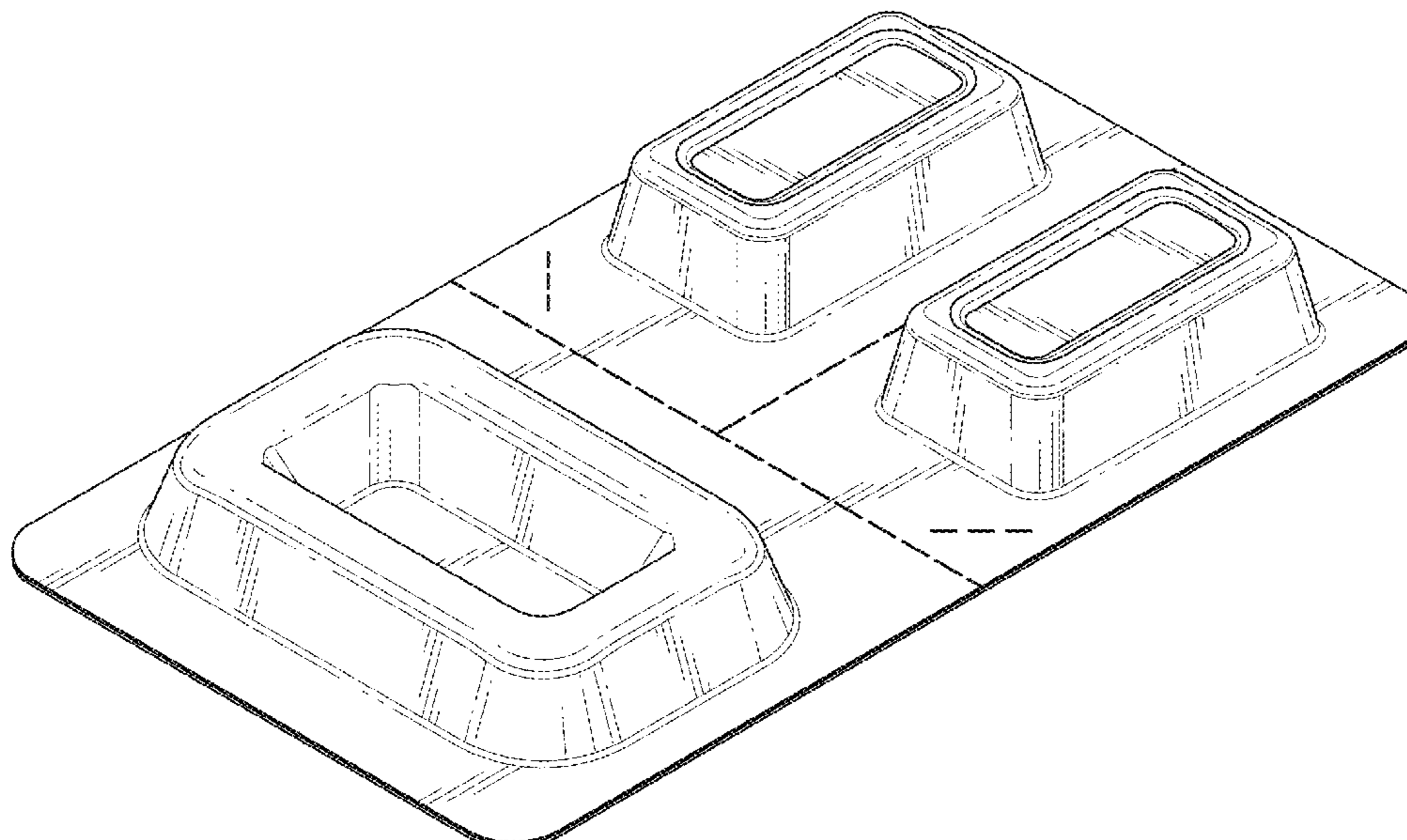
FIG. 6 is a left side view thereof;

FIG. 7 is a bottom view thereof; and,

FIG. 8 is a top view thereof.

The long dash-dash broken lines illustrate perforations that form a part of the claimed design.

1 Claim, 6 Drawing Sheets



(56)

References Cited

U.S. PATENT DOCUMENTS

D256,777 S * 9/1980 Sorsjo D9/732
 D294,459 S * 3/1988 Wendel D9/415
 D314,914 S 2/1991 Callinan
 D342,025 S * 12/1993 Abraben D9/732
 D364,343 S * 11/1995 Mello D9/415
 D398,150 S 9/1998 Vonarburg
 5,938,018 A 8/1999 Keaveney
 5,975,415 A 11/1999 Zehnal
 6,155,423 A 12/2000 Katzner
 6,386,371 B1 5/2002 Parsons
 6,431,363 B1 8/2002 Hacker
 D465,731 S 11/2002 Brant
 6,622,867 B2 9/2003 Menceles
 6,672,762 B1 1/2004 Faircloth
 6,726,006 B1 4/2004 Funderburk
 D706,129 S 6/2004 Boraczek
 D494,857 S * 8/2004 Chen D9/424
 6,805,545 B2 10/2004 Slaboden
 D513,181 S 12/2005 Bloom
 7,234,593 B2 6/2007 Fath
 D548,110 S * 8/2007 Pugh D9/732
 D556,601 S * 12/2007 Ferguson D9/415
 7,374,048 B2 5/2008 Mazurek
 D584,149 S 1/2009 Lohrman
 D606,864 S 12/2009 Robinson
 D619,003 S 7/2010 Benoit-Gonin
 D632,958 S 2/2011 Fuchs
 D642,483 S * 8/2011 Stuibler D9/732
 D649,236 S 11/2011 Biklo
 D655,628 S * 3/2012 Mehren D9/732
 8,393,465 B2 3/2013 Clark
 8,464,867 B2 6/2013 Holloway
 D693,221 S 11/2013 Ramsey
 D693,684 S 11/2013 Ramsey

D693,685 S 11/2013 Ramsey
 D718,621 S 12/2014 Mitchell
 D721,577 S 1/2015 Scatterday
 D734,259 S 7/2015 Cepress
 D735,572 S 8/2015 Fath
 D745,388 S 12/2015 Taylor
 D752,282 S 3/2016 Doster
 D752,283 S 3/2016 Doster
 D752,284 S 3/2016 Doster
 D752,285 S 3/2016 Doster
 D752,286 S 3/2016 Doster
 D760,599 S * 7/2016 Jayakaran D9/732
 D761,124 S 7/2016 Taylor
 D763,706 S * 8/2016 Shum D9/737
 9,663,266 B2 5/2017 Schwester
 D792,222 S * 7/2017 Sill D9/456
 2001/0052480 A1 12/2001 Kawaguchi
 2002/0175164 A1 11/2002 Dees
 2005/0061759 A1 3/2005 Doucette
 2006/0255105 A1 11/2006 Sweet
 2009/0134051 A1 * 5/2009 Rapp B65B 61/202
 206/461
 2010/0000672 A1 1/2010 Fogle
 2010/0307116 A1 12/2010 Fisher
 2012/0248005 A1 10/2012 Bergey et al.
 2013/0146489 A1 6/2013 Scatterday
 2017/0259954 A1 9/2017 Schwester

FOREIGN PATENT DOCUMENTS

FR 2188569 A5 1/1974
 JP 2000203639 7/2000
 TW D152851 4/2013
 WO WO 1998/043893 10/1998
 WO WO 2017/051350 3/2017

* cited by examiner

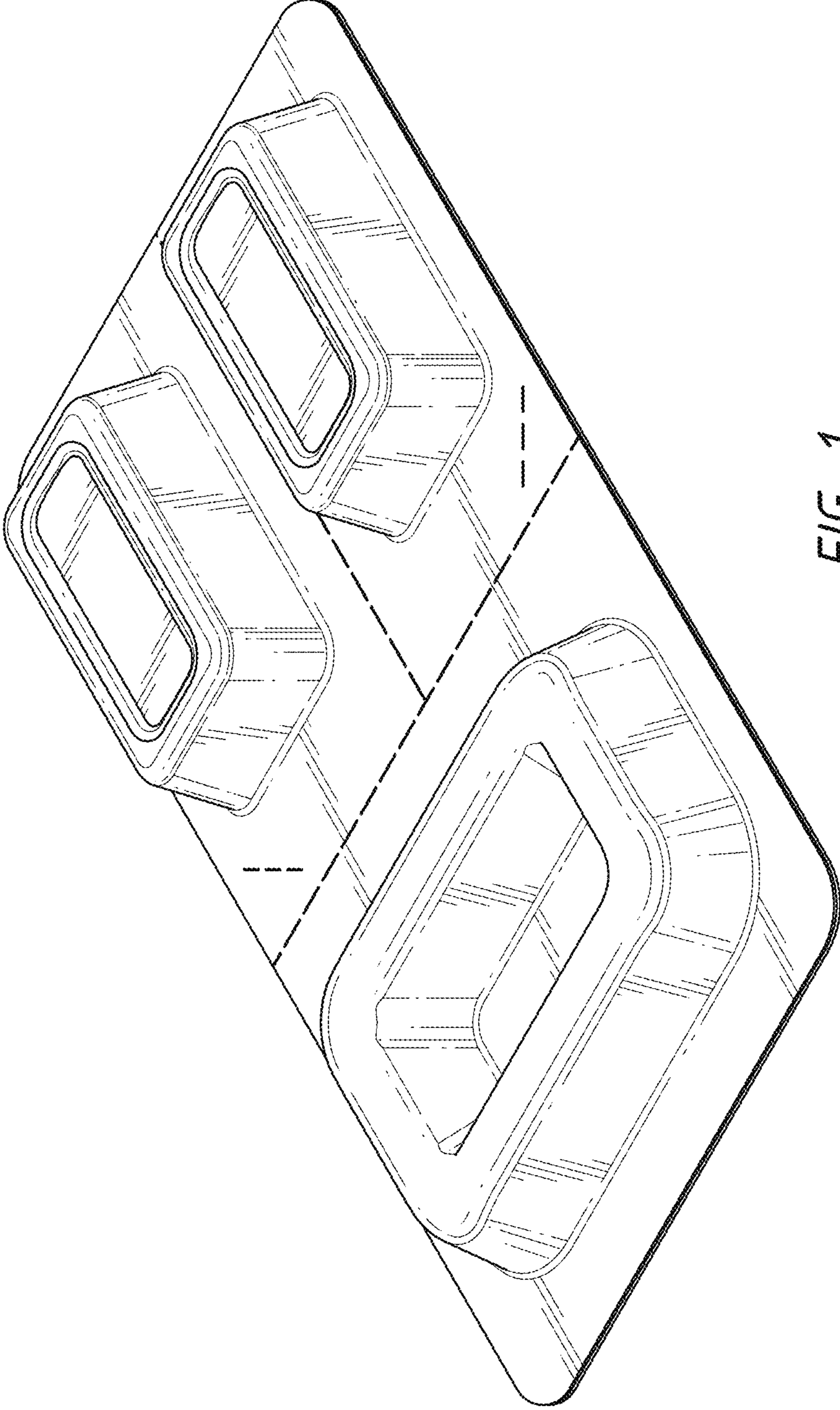


FIG. 1

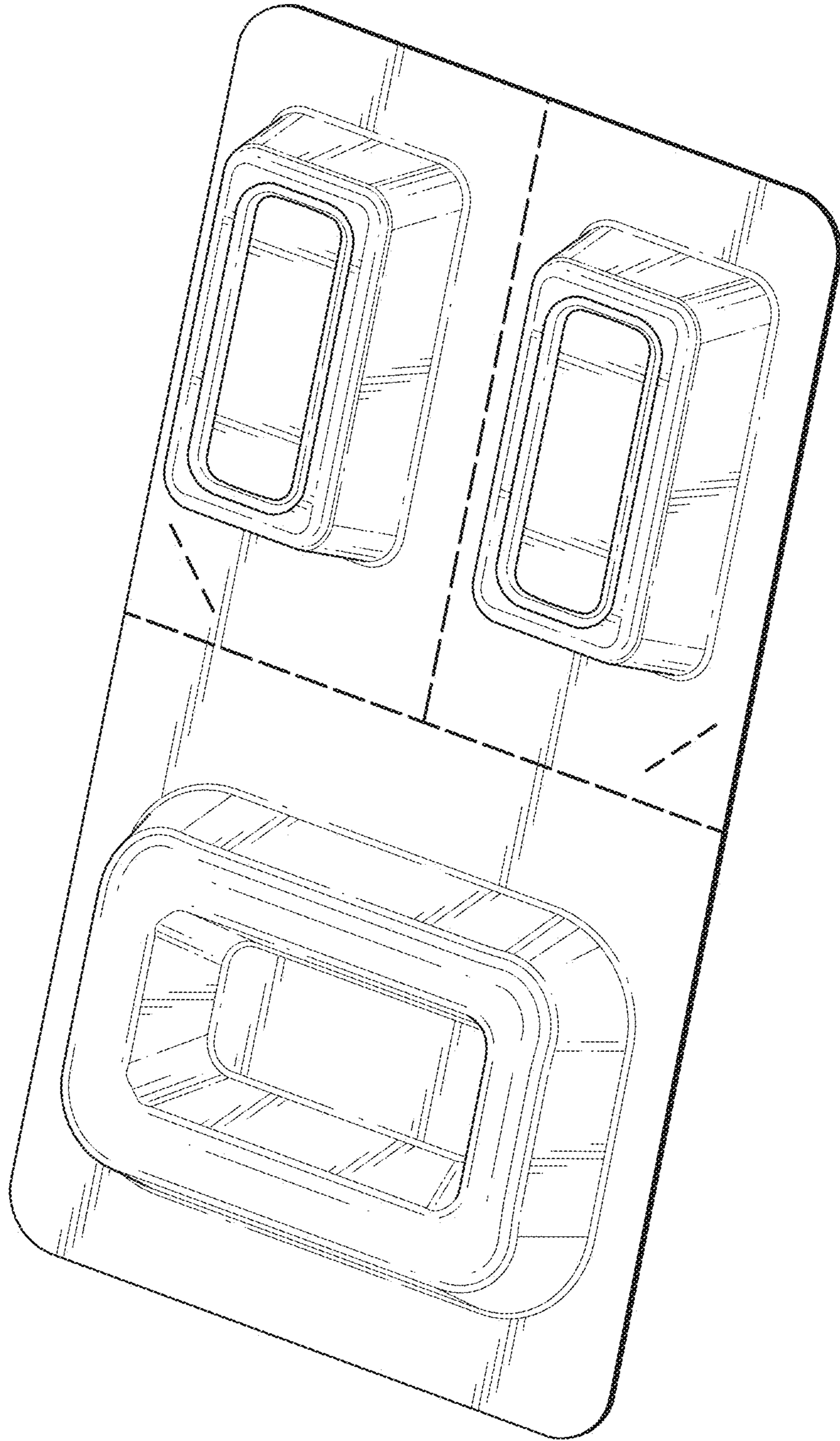


FIG. 2

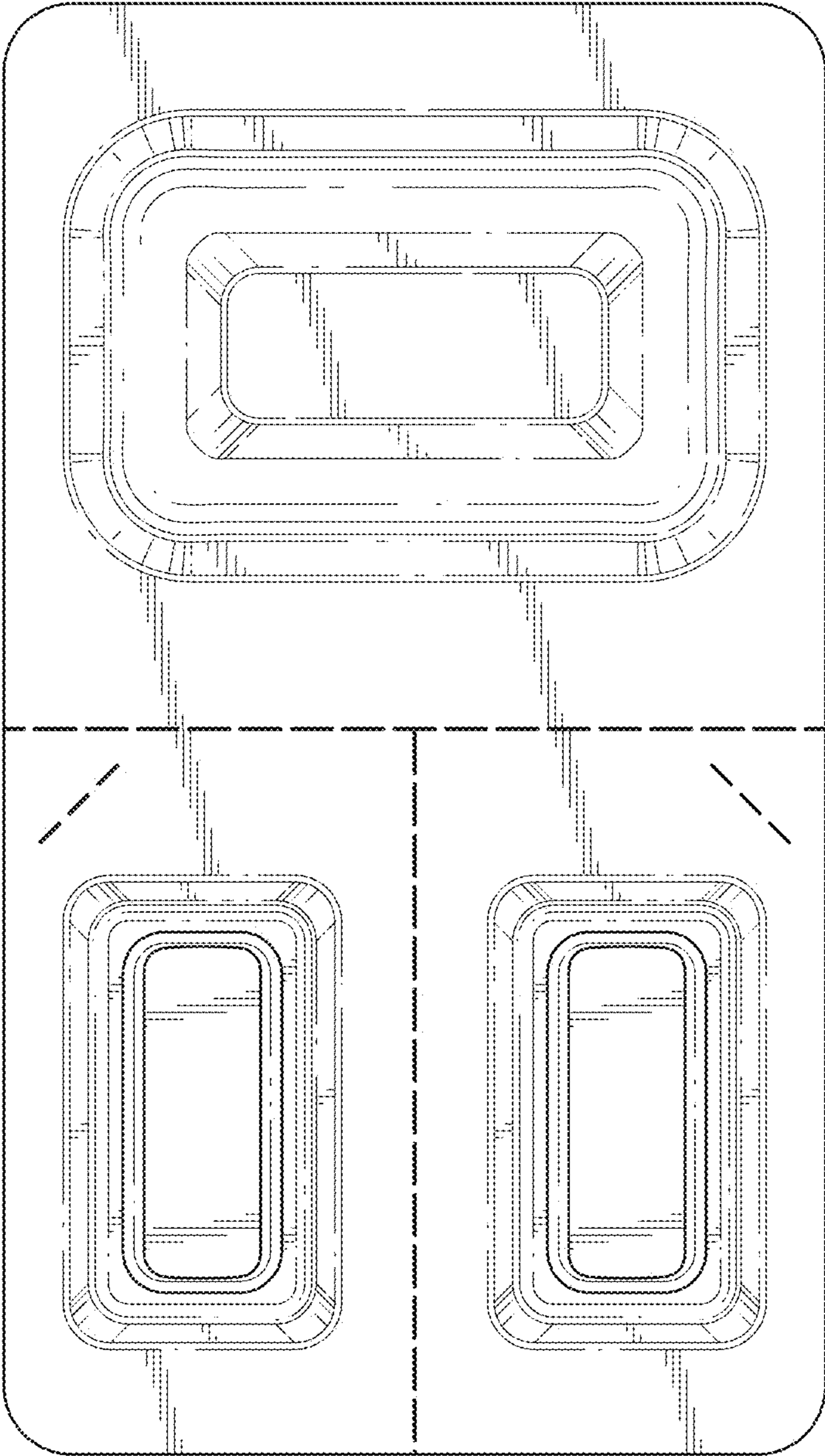


FIG. 3

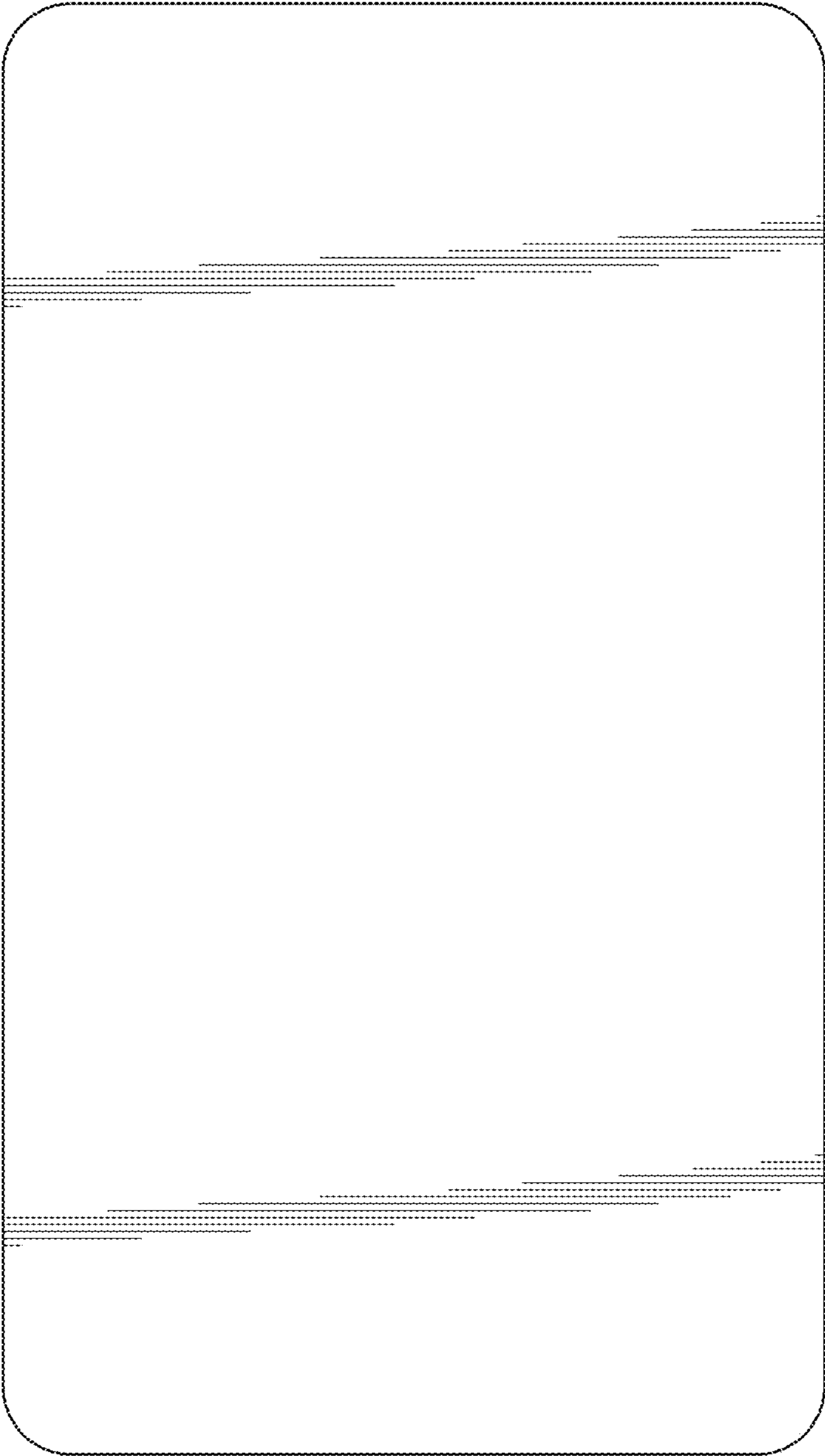


FIG. 4

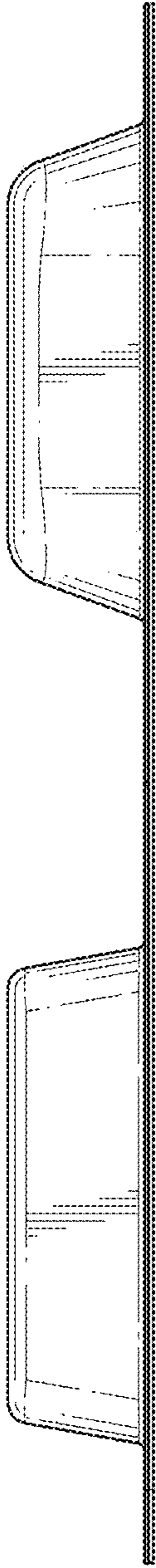


FIG. 5

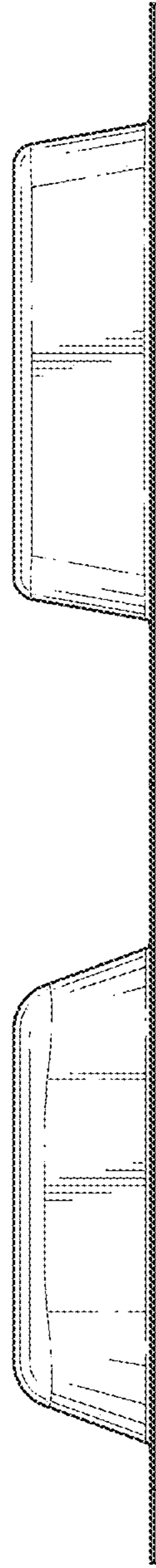


FIG. 6

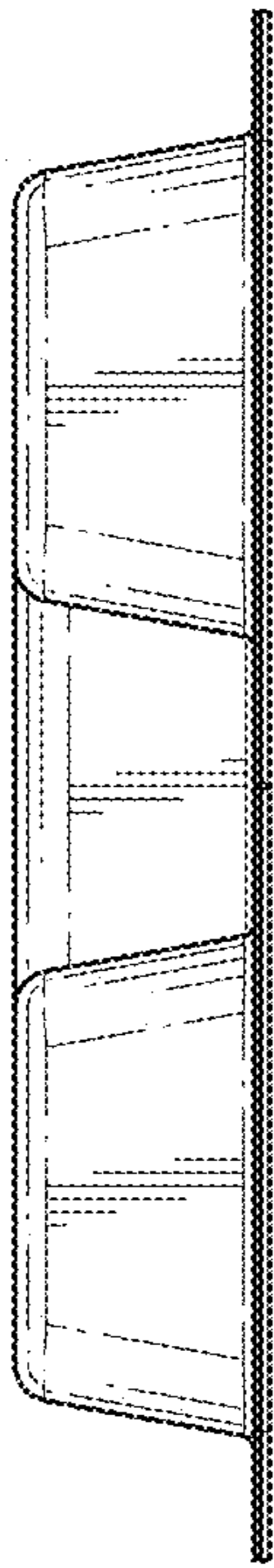


FIG. 7

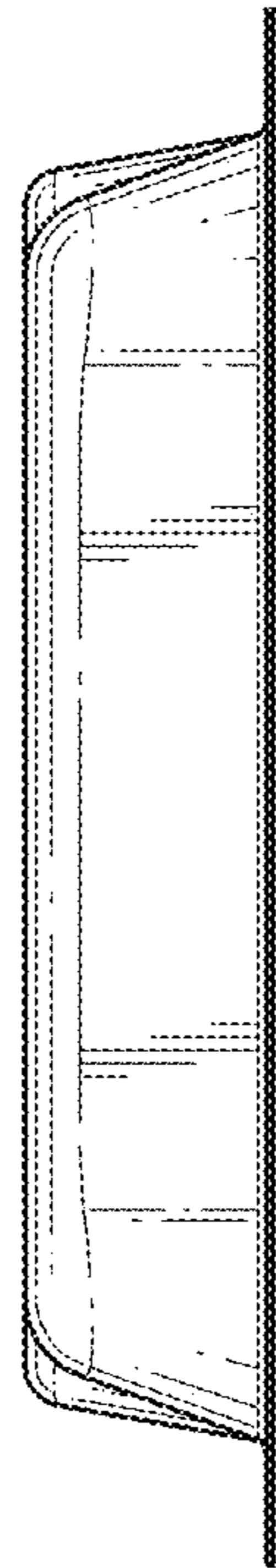


FIG. 8